



US00D510067S

(12) **United States Design Patent**
Miller

(10) **Patent No.:** **US D510,067 S**

(45) **Date of Patent:** **** Sep. 27, 2005**

(54) **PLUG RETENTION APPARATUS**

(75) **Inventor:** **Thomas J. Miller**, Chino Hills, CA
(US)

(73) **Assignee:** **TMC Enterprises Inc.**, Diamond Bar,
CA (US)

(**) **Term:** **14 Years**

(21) **Appl. No.:** **29/207,515**

(22) **Filed:** **Jun. 15, 2004**

(51) **LOC (8) Cl.** **13-03**

(52) **U.S. Cl.** **D13/137.4**

(58) **Field of Search** D13/133, 137.1-139.8;
439/152-160, 484, 692, 694

(56) **References Cited**

U.S. PATENT DOCUMENTS

1,568,995	A	*	1/1926	Benjamin	439/484
1,665,095	A		4/1928	Henry		
2,186,703	A	*	1/1940	Kresge	439/244
2,753,536	A		7/1956	Tjader		
3,204,212	A	*	8/1965	Broder	439/598
3,577,118	A	*	5/1971	Reider	439/855
4,204,738	A		5/1980	Tillotson		
D275,848	S	*	10/1984	Ricossa	D13/133
4,875,874	A		10/1989	Windsor, Jr.		
D322,954	S	*	1/1992	Avramovich	D13/133
5,211,573	A		5/1993	Cross		
D361,981	S	*	9/1995	Okamoto	D13/138.2
D367,542	S	*	2/1996	Kovacik et al.	D26/113
5,584,720	A		12/1996	Elswick		
5,676,568	A	*	10/1997	Weber	439/694
5,695,349	A	*	12/1997	Taguchi et al.	439/157
5,785,547	A		7/1998	Cross et al.		

D400,173	S	*	10/1998	Starec et al.	D13/138.1
D406,260	S	*	3/1999	Wardenburg	D13/137.1
6,056,580	A		5/2000	Cross et al.		
6,080,004	A		6/2000	Kovacik et al.		
D492,254	S	*	6/2004	Nakashima et al.	D13/139.2

* cited by examiner

Primary Examiner—Alan P. Douglas

Assistant Examiner—Rosemary Tarcza

(74) *Attorney, Agent, or Firm*—Knobbe, Martens, Olson &
Bear, LLP

(57) **CLAIM**

The ornamental design for a plug retention apparatus, as shown and described.

DESCRIPTION

FIG. 1 is a perspective view of the plug member of the present design;

FIG. 2 is a front view of the plug member of the present design;

FIG. 3 is a back view of the plug member of the present design;

FIG. 4 is a right side view of the plug member of the present design;

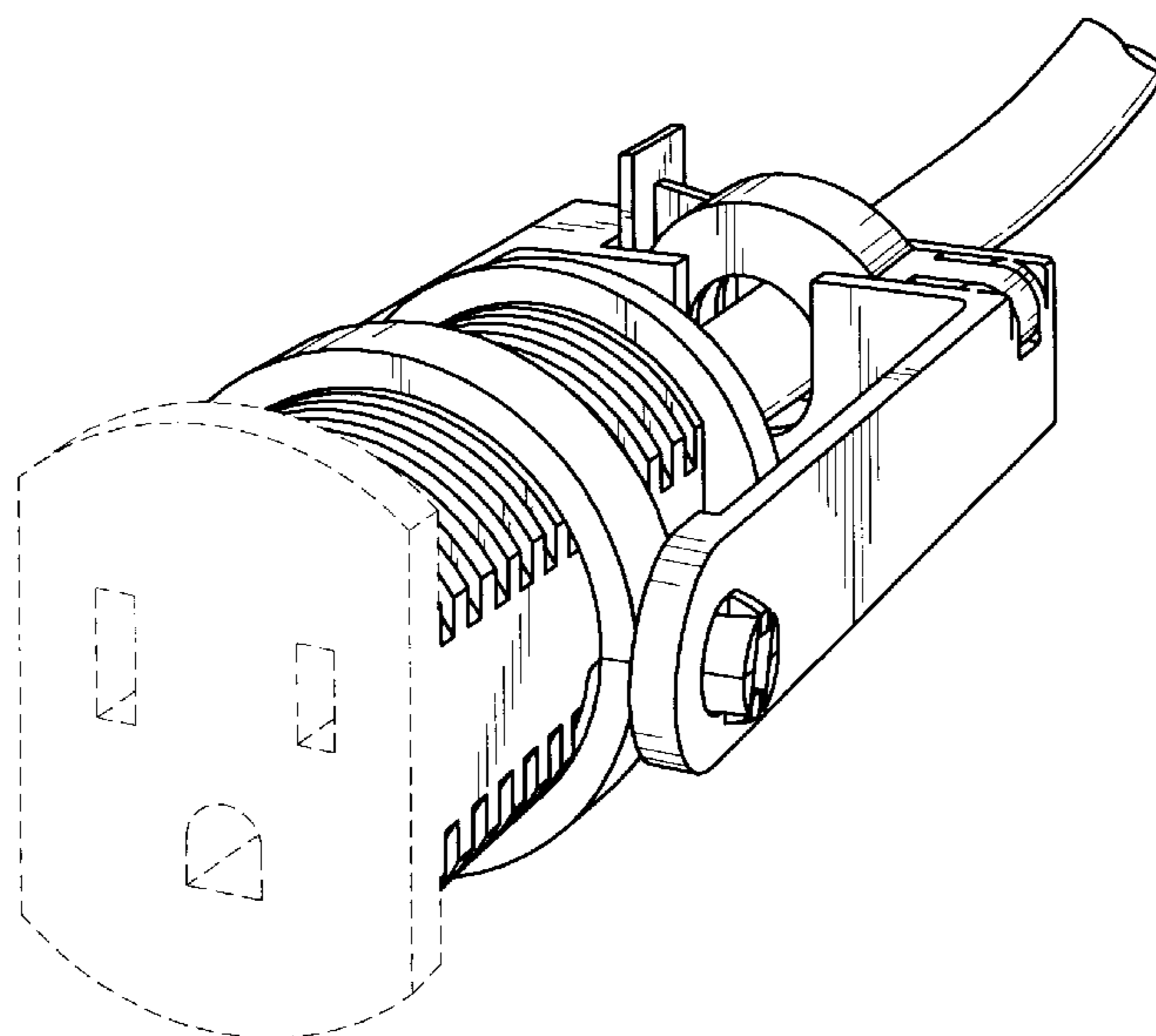
FIG. 5 is a left side view of the plug member of the present design;

FIG. 6 is a top view of the plug member of the present design; and,

FIG. 7 is a bottom view of the plug member of the present design.

The broken lines showing additional features of the plug retention apparatus in FIGS. 1-7 are for illustrative purposes only and form no part of the claimed design.

1 Claim, 6 Drawing Sheets



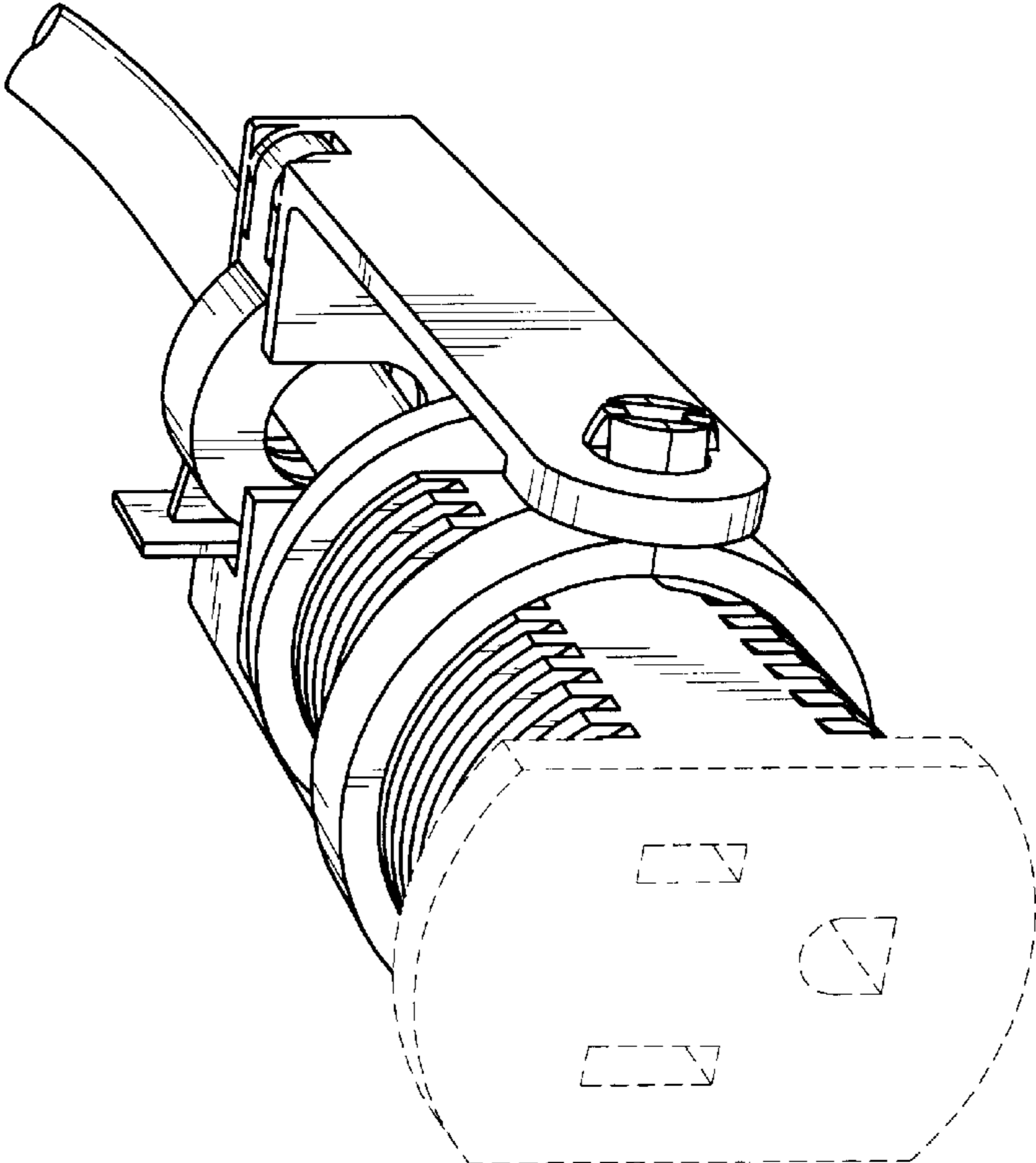


FIG. 1

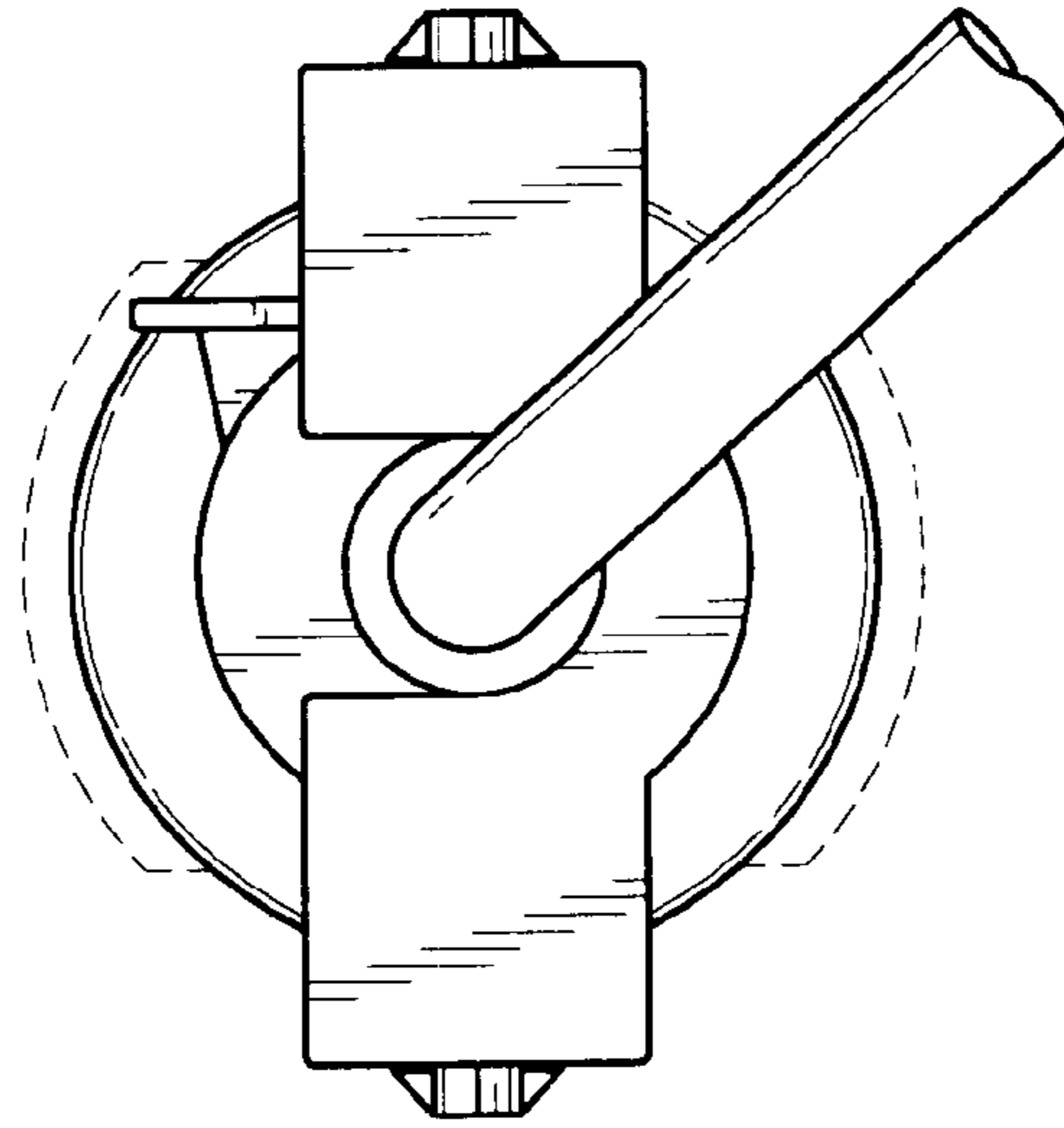


FIG. 3

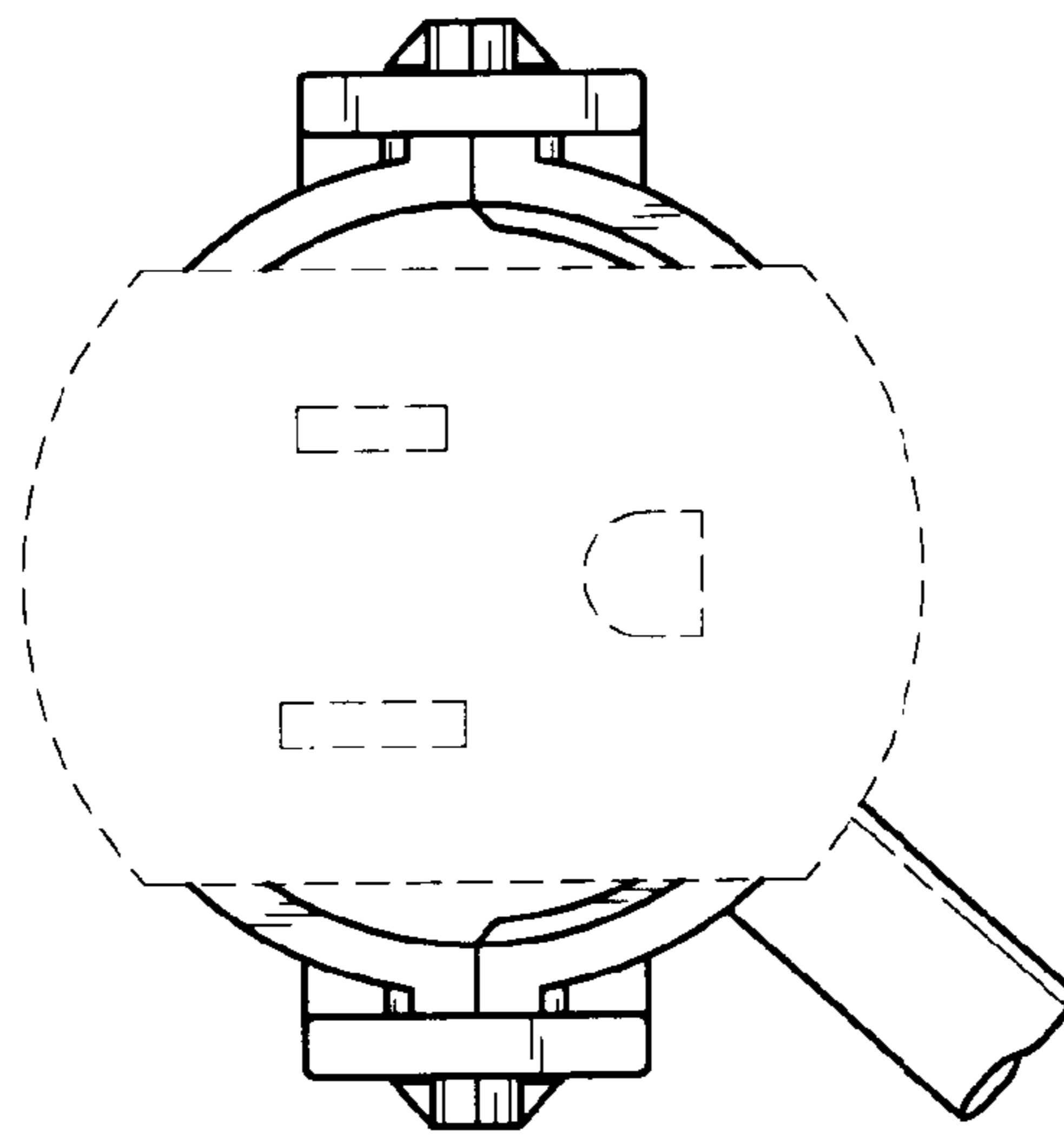


FIG. 2

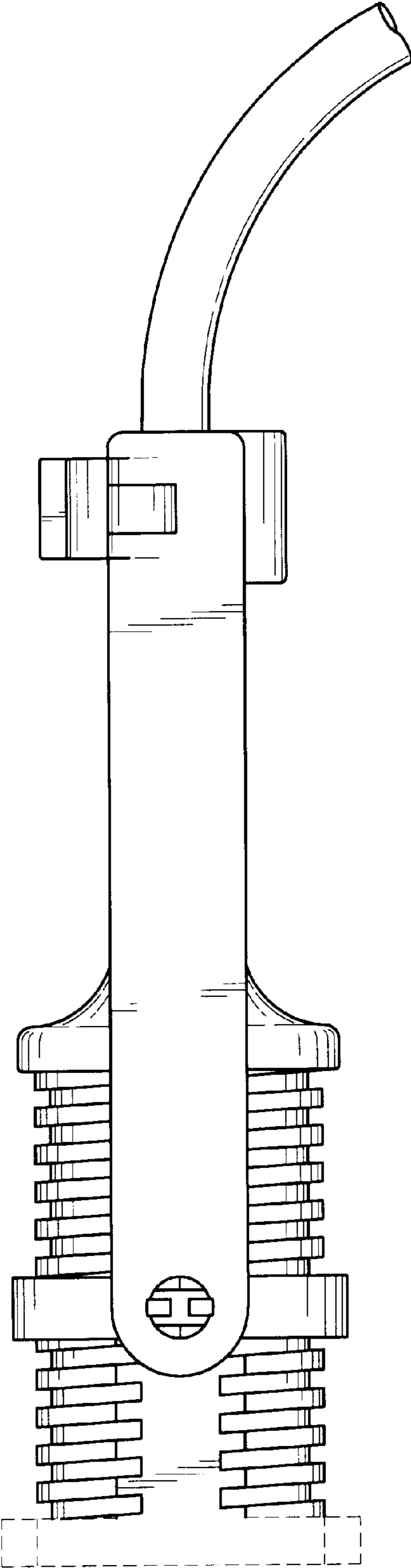


FIG. 4

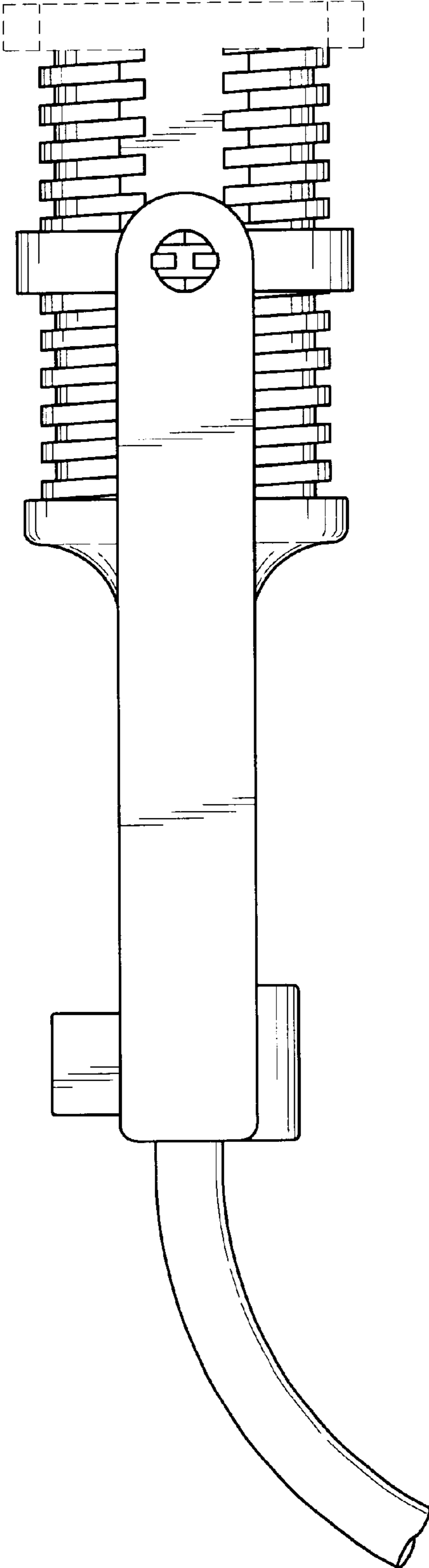


FIG. 5

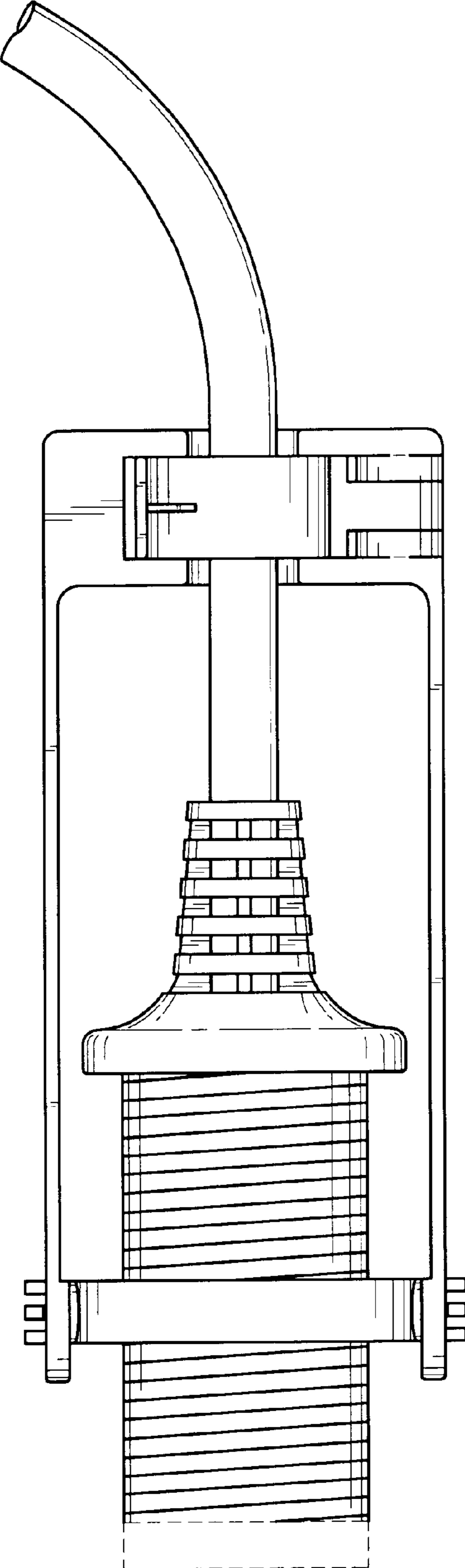


FIG. 6

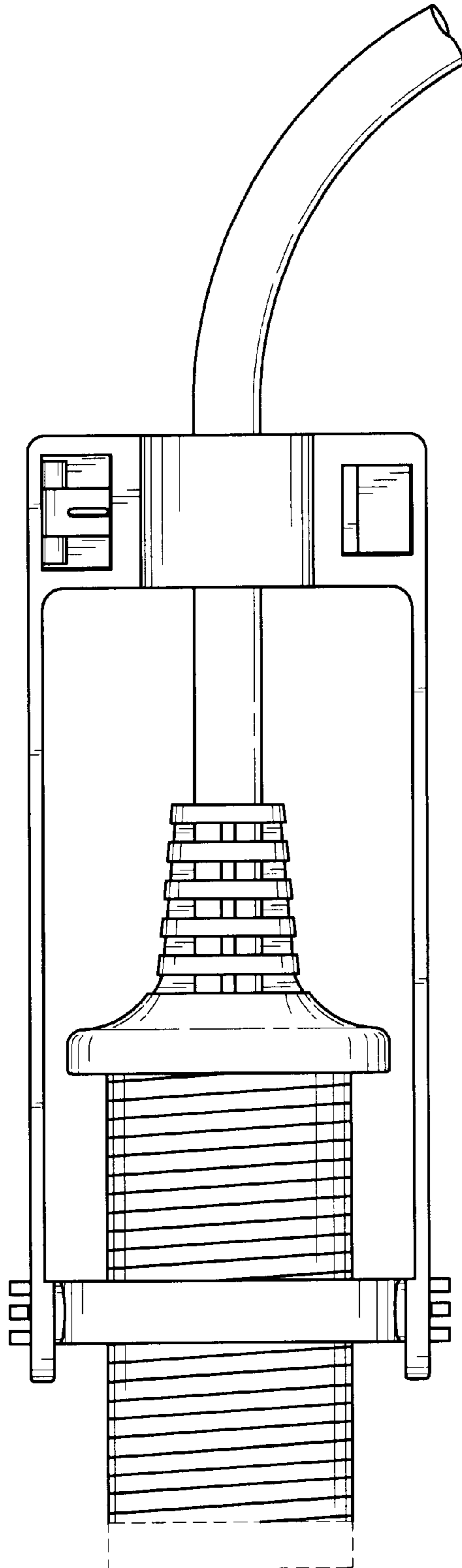


FIG. 7