

US00D510064S

(12) **United States Design Patent**  
**Hildebrand**

(10) **Patent No.:** **US D510,064 S**  
(45) **Date of Patent:** **\*\* Sep. 27, 2005**

- (54) **TIRE**
- (75) **Inventor:** **Volker Hildebrand**, Charlotte, NC (US)
- (73) **Assignee:** **Continental Tire North America, Inc.**,  
Charlotte, NC (US)
- (\*\*) **Term:** **14 Years**
- (21) **Appl. No.:** **29/200,001**
- (22) **Filed:** **Feb. 23, 2004**
- (51) **LOC (8) Cl.** ..... **12-15**
- (52) **U.S. Cl.** ..... **D12/584**
- (58) **Field of Search** ..... D12/547, 549,  
D12/550, 553, 582, 584, 585, 588, 602,  
603; 152/209.1, 209.8, 209.9, 209.12, 209.13,  
209.25, 209.28, 455

D482,323 S \* 11/2003 Corbin et al. .... D12/584

**FOREIGN PATENT DOCUMENTS**

EP 0 681 930 A1 5/1995

**OTHER PUBLICATIONS**

Marangoni M900 T80 Tire, 2003 Tread Design Guide, Jan. 2003, p. 38. 4/2.\*  
Development Design Map, no date given.

\* cited by examiner

*Primary Examiner*—Robert M. Spear  
(74) *Attorney, Agent, or Firm*—Calfee, Halter & Griswold, LLP

(57) **CLAIM**

The ornamental design for a tire, as shown and described.

**DESCRIPTION**

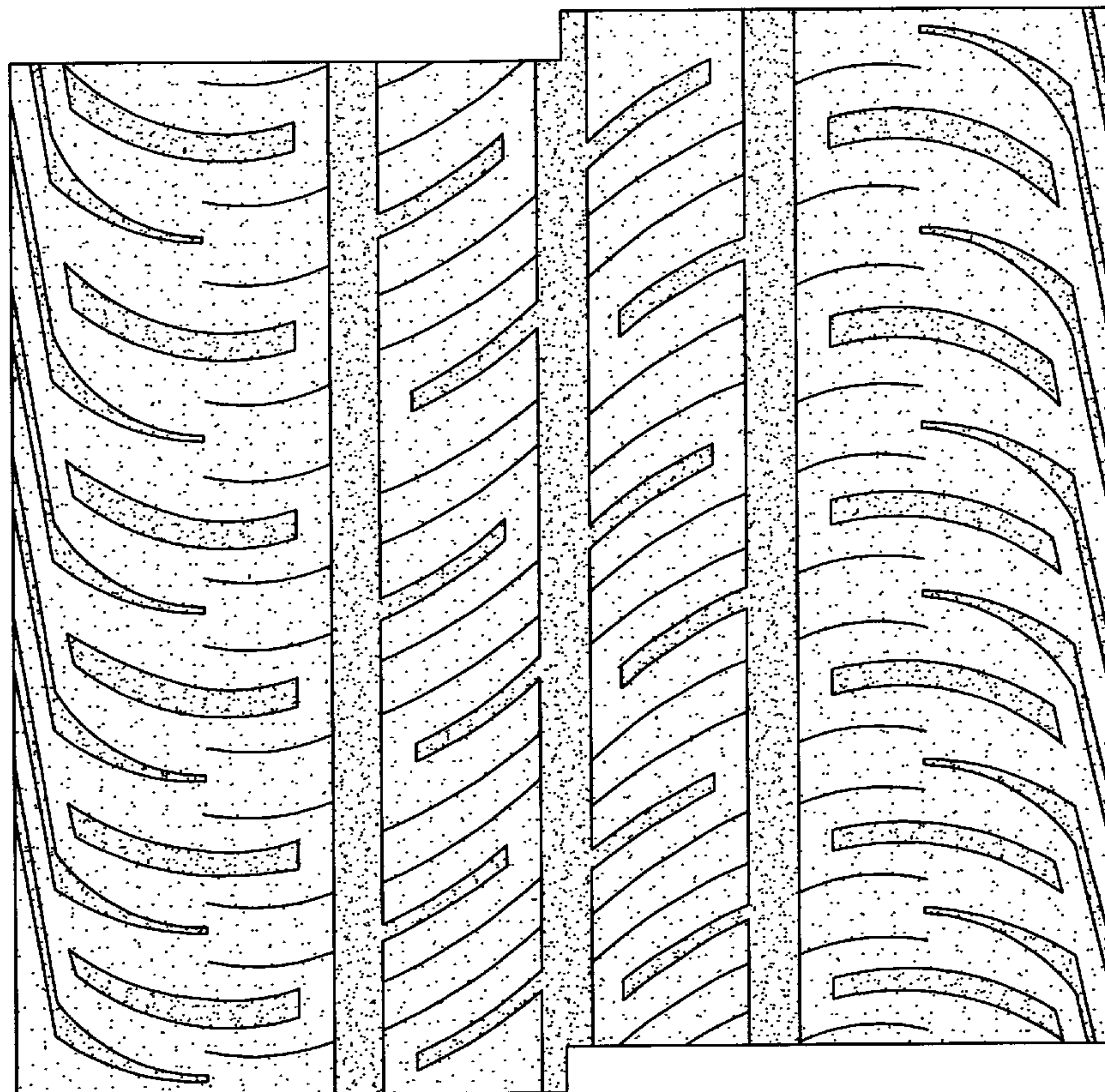
FIG. 1 is a perspective view of a tire showing our new design, it being understood that the tread pattern is repeated throughout the circumference of the tire;  
FIG. 2 is an enlarged fragmentary front elevational view thereof; and,  
FIG. 3 is a side elevational view thereof.

(56) **References Cited**

**U.S. PATENT DOCUMENTS**

- D323,801 S \* 2/1992 Kajita ..... D12/585
- D380,712 S \* 7/1997 Ochi et al. .... D12/603
- D386,456 S \* 11/1997 Yukawa ..... D12/588
- D430,514 S \* 9/2000 Bethea et al. .... D12/584
- 6,340,040 B1 1/2002 Ikeda
- 6,619,352 B2 9/2003 Diensthuber et al.

**1 Claim, 3 Drawing Sheets**



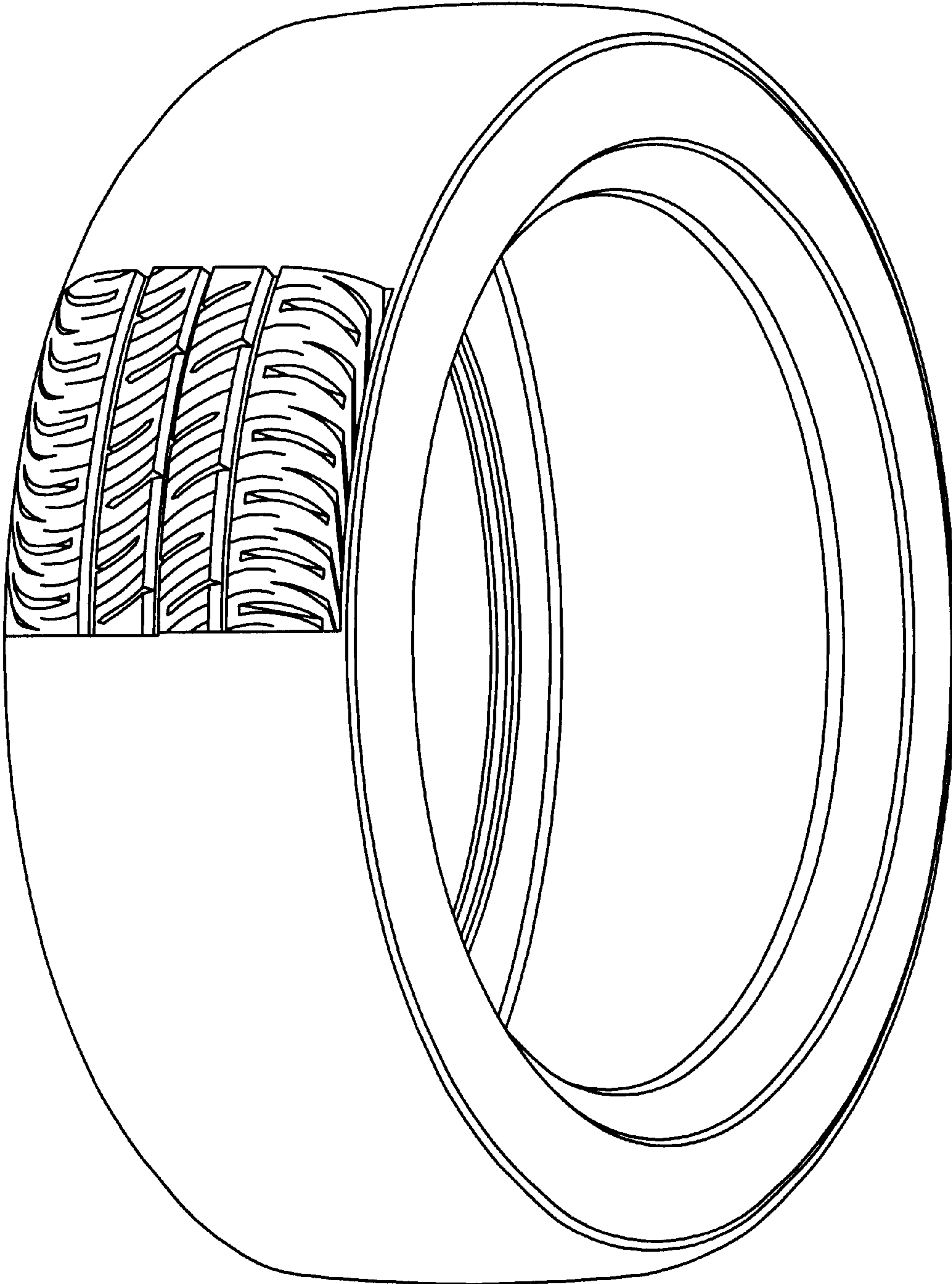


Fig.1



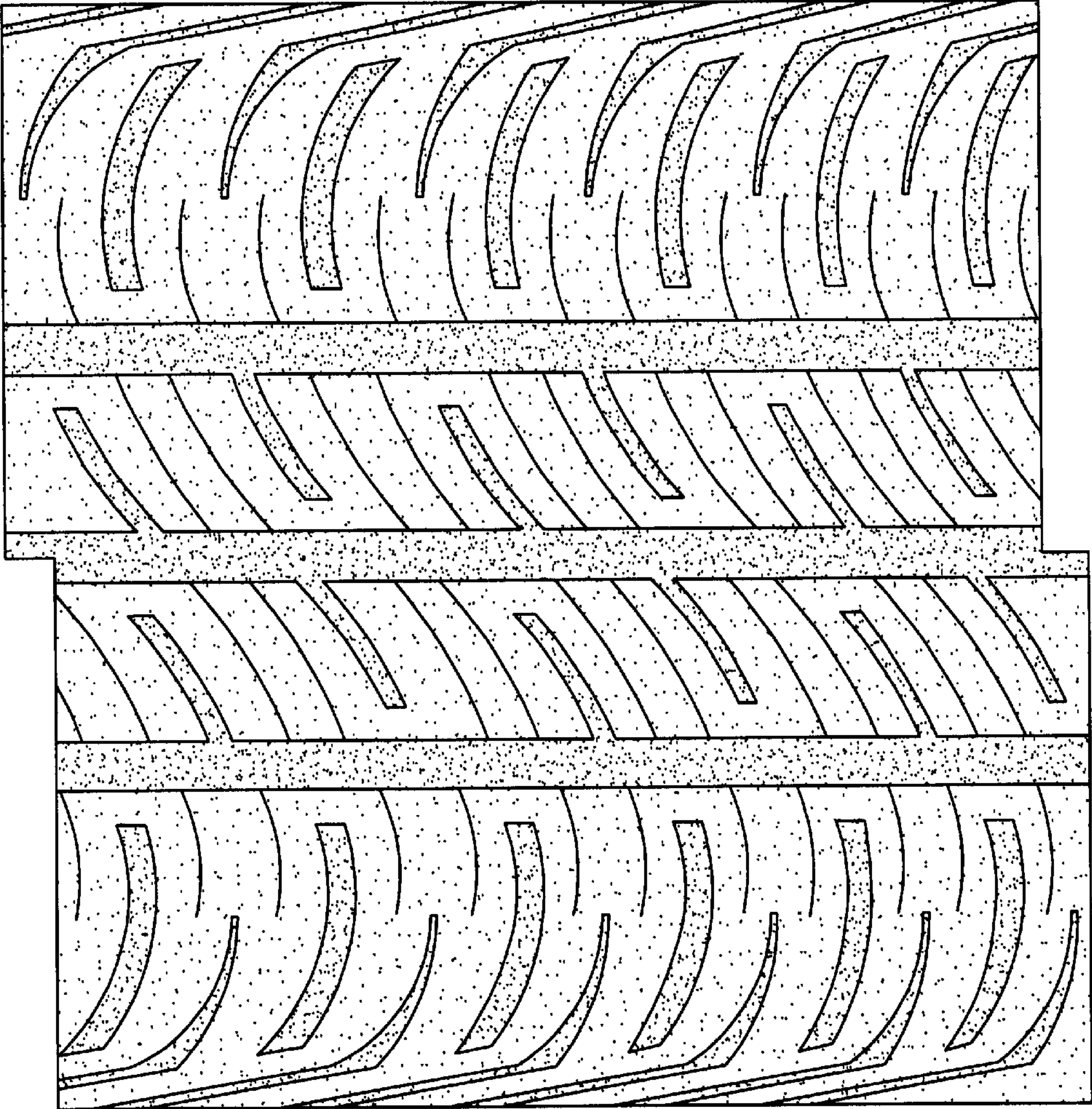


Fig.2

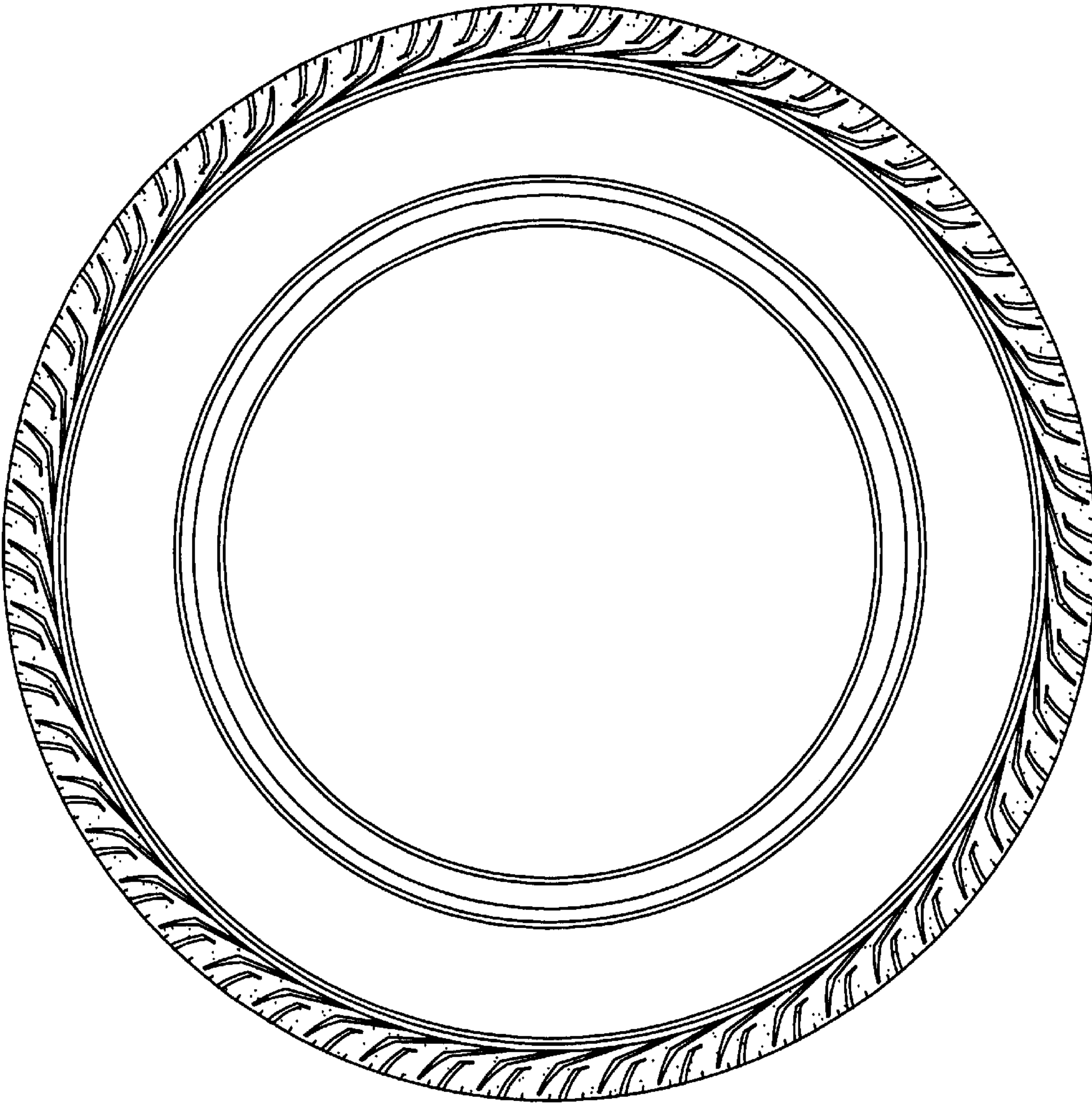


Fig.3