



US00D510063S

(12) **United States Design Patent** (10) **Patent No.:** **US D510,063 S**
Moser (45) **Date of Patent:** **** Sep. 27, 2005**

(54) **OX CARGO HINGED HITCH CARRIER**

(76) Inventor: **Troy E. Moser**, 112 South St., Moyock, NC (US) 27958

(**) Term: **14 Years**

(21) Appl. No.: **29/202,703**

(22) Filed: **Apr. 5, 2004**

(51) **LOC (8) Cl.** **12-16**

(52) **U.S. Cl.** **D12/406**

(58) **Field of Search** D12/400, 406, D12/162, 412-414.1; D6/552, 556; D3/304-306; 108/129-132, 44, 152; 296/3, 37.1, 37.7, 100; 224/521-526, 518-519, 528-530, 510, 497, 921, 309-310, 323-329, 321, 400; 280/760-762, 727, 639, 769, 163, 848, 166, 766.1

(56) **References Cited**

U.S. PATENT DOCUMENTS

D432,488 S	*	10/2000	Roll et al.	D12/406
D437,285 S	*	2/2001	McCoy et al.	D12/406
D439,559 S	*	3/2001	Caro	D12/400
D445,395 S	*	7/2001	Okerlund et al.	D12/400
D445,757 S	*	7/2001	Adams et al.	D12/406
D458,579 S	*	6/2002	Adams et al.	D12/406
D459,287 S	*	6/2002	Beard et al.	D12/406
D477,562 S	*	7/2003	McCoy et al.	D12/406
D481,350 S	*	10/2003	McCoy et al.	D12/400

* cited by examiner

Primary Examiner—Stacia Cadmus

(74) *Attorney, Agent, or Firm*—Troy E. Moser

(57) **CLAIM**

The ornamental design for a ox cargo hinged hitch carrier, as shown.

DESCRIPTION

FIG. 1 is a front plan view of an ox cargo hinged hitch carrier showing my new design;

FIG. 2 is a back plan view thereof;

FIG. 3 is a right side plan view thereof;

FIG. 4 is a left side plan view thereof;

FIG. 5 is a top plan view thereof;

FIG. 6 is a bottom plan view thereof;

FIG. 7 is a front right isometric view; and

FIG. 8 is a bottom left isometric view thereof;

FIG. 9 is a front plan view thereof;

FIG. 10 is a back plan view thereof;

FIG. 11 is a right side plan view thereof;

FIG. 12 is a left side plan view thereof;

FIG. 13 is a top plan view thereof;

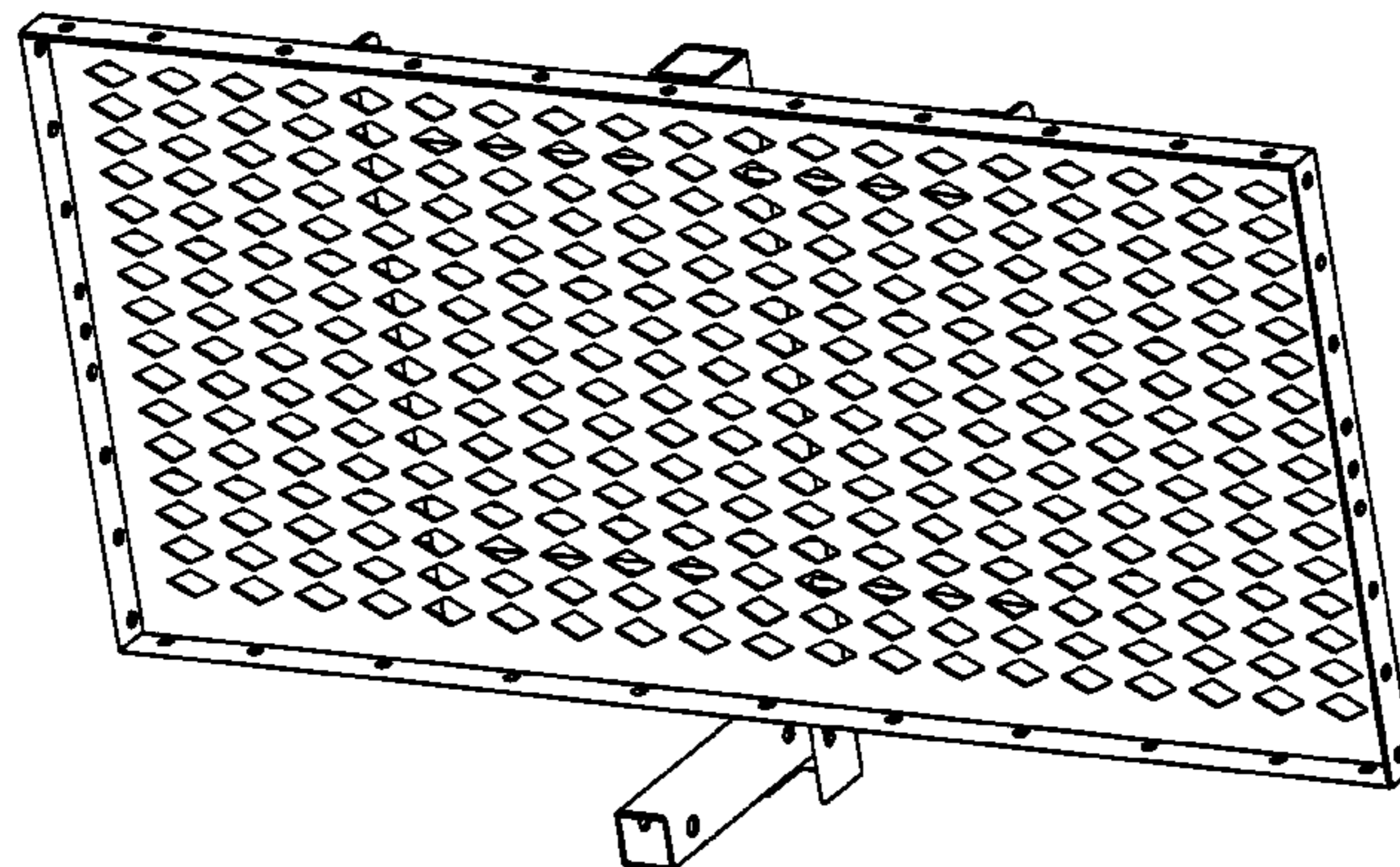
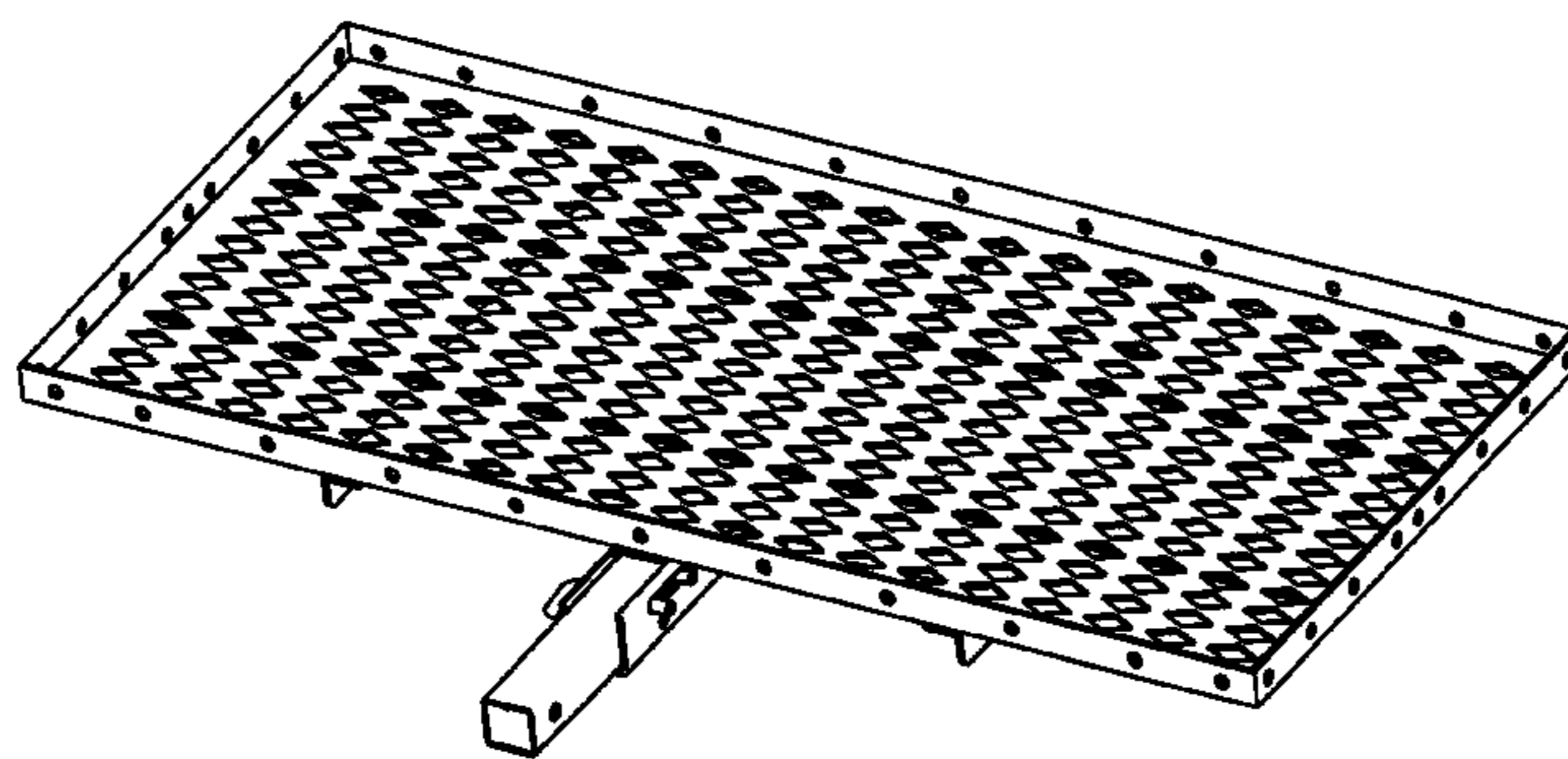
FIG. 14 is a bottom plan view thereof;

FIG. 15 is a front right isometric view; and,

FIG. 16 is a bottom left isometric view thereof.

The ox cargo hinged hitch carrier is shown in a down position in FIGS. 1-8 and in an up position in FIGS. 9-16.

1 Claim, 16 Drawing Sheets



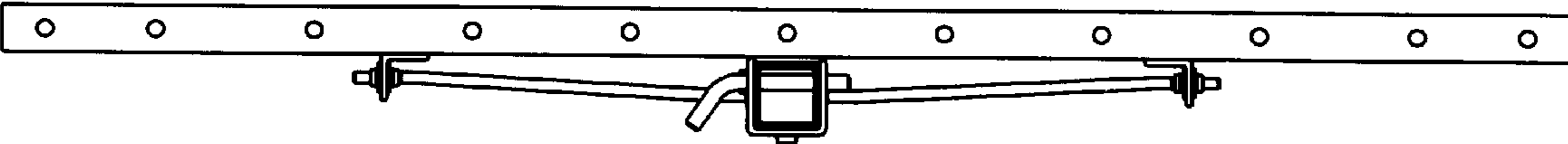


FIGURE 1

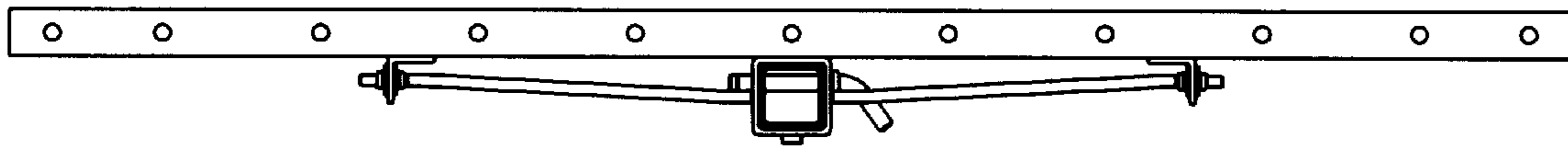


FIGURE 2

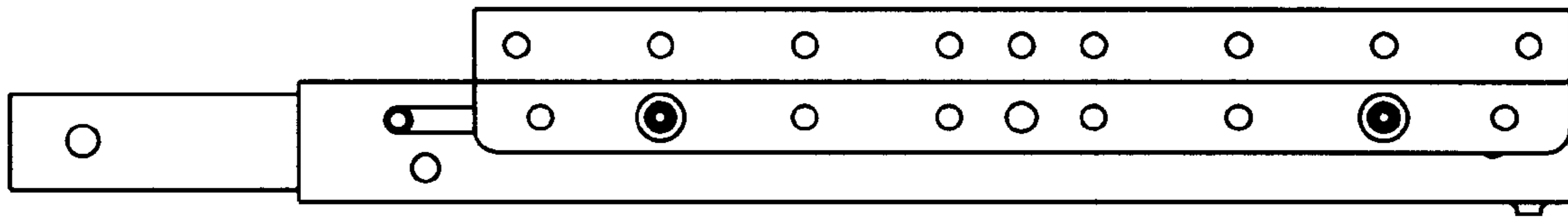


FIGURE 3

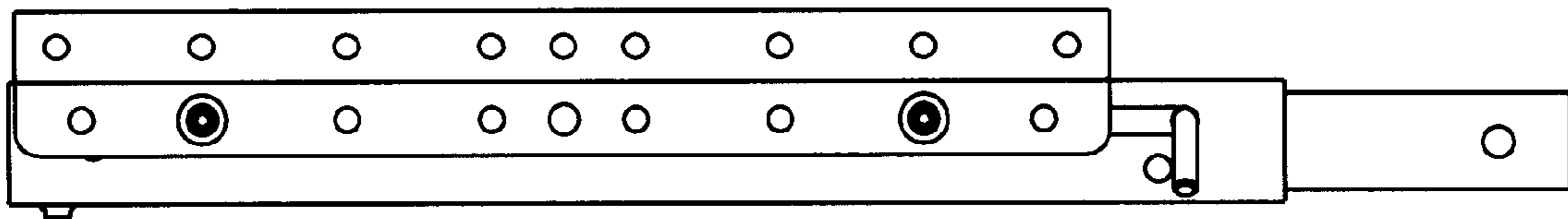


FIGURE 4

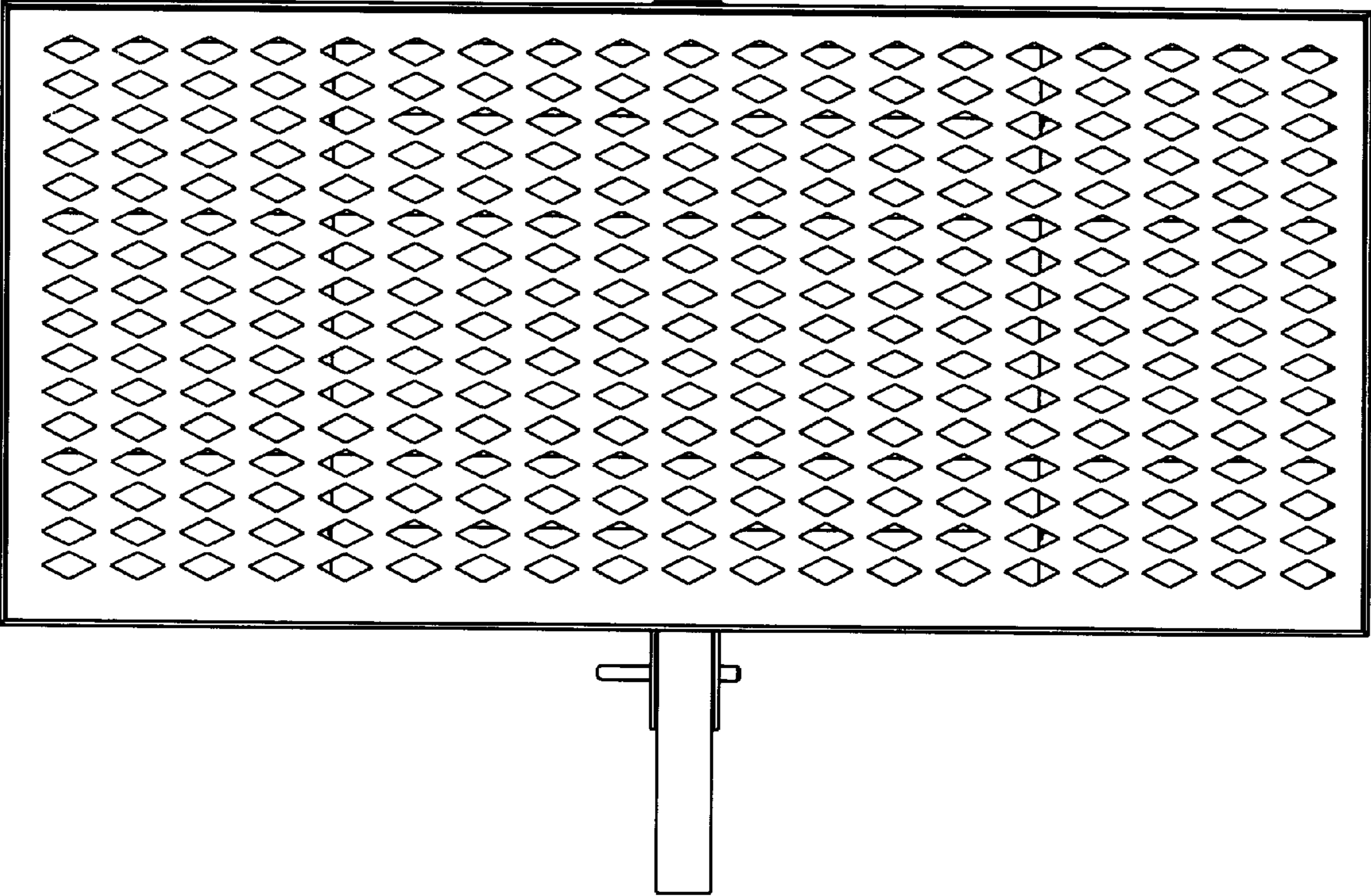


FIGURE 5

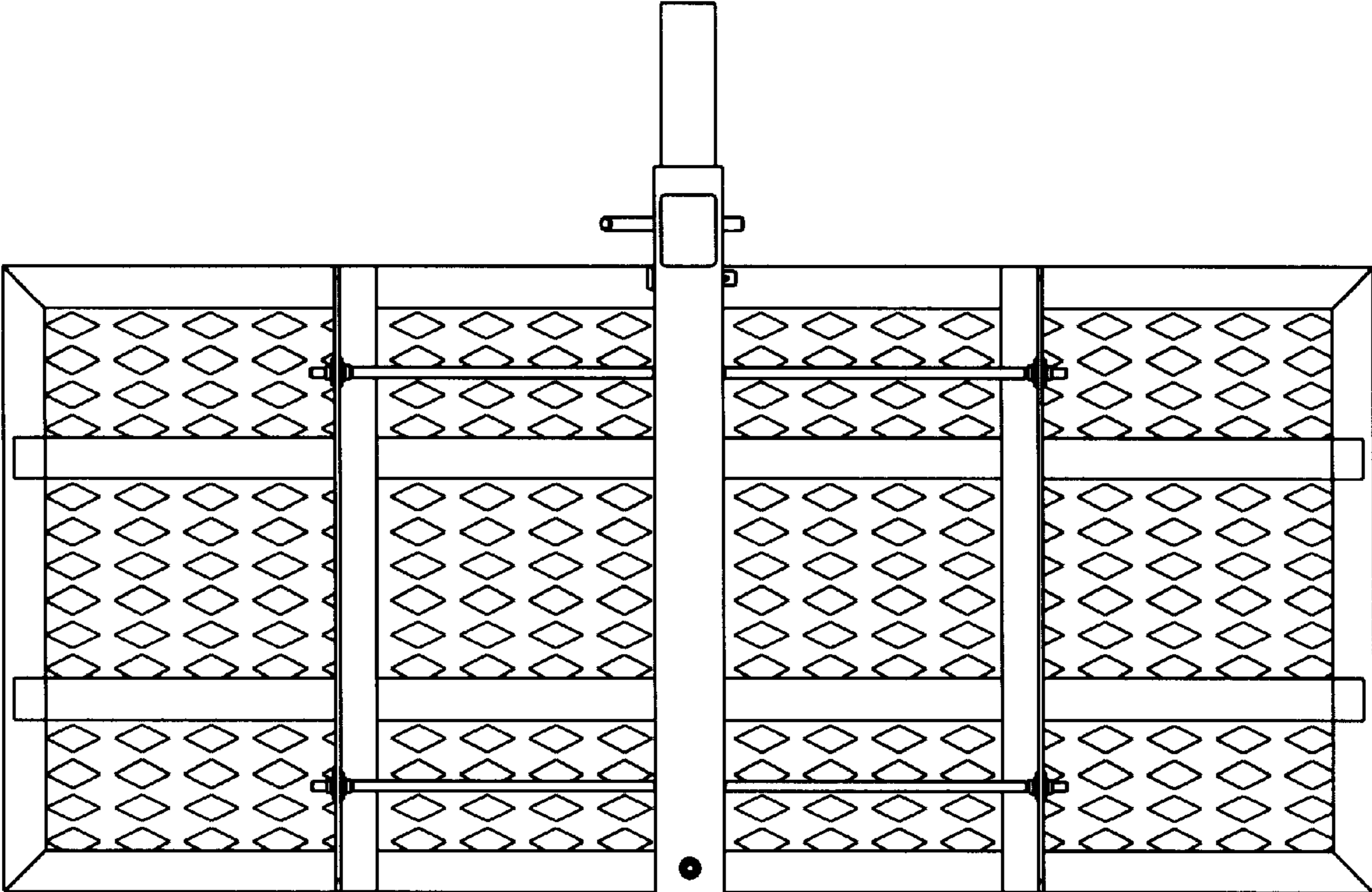


FIGURE 6

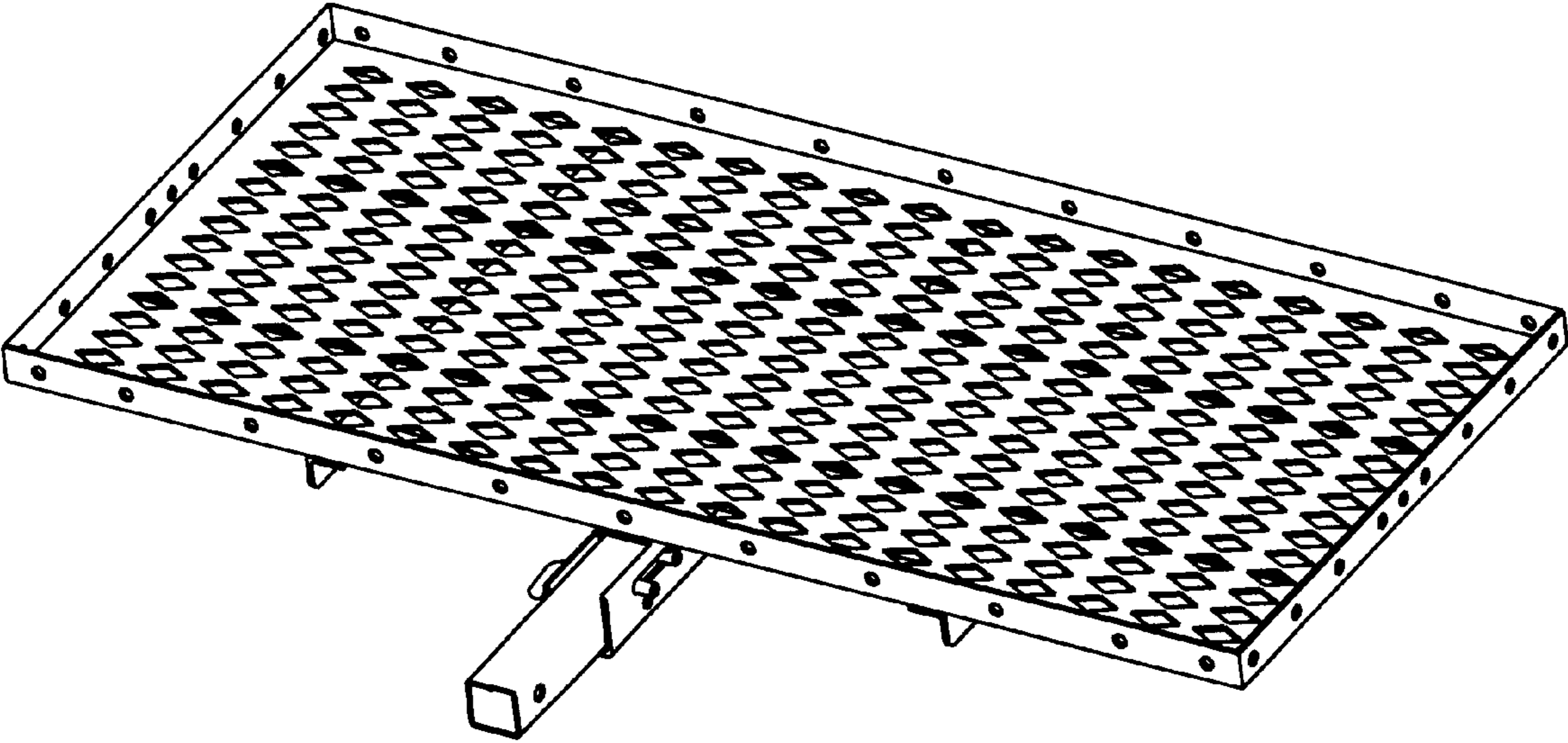


FIGURE 7

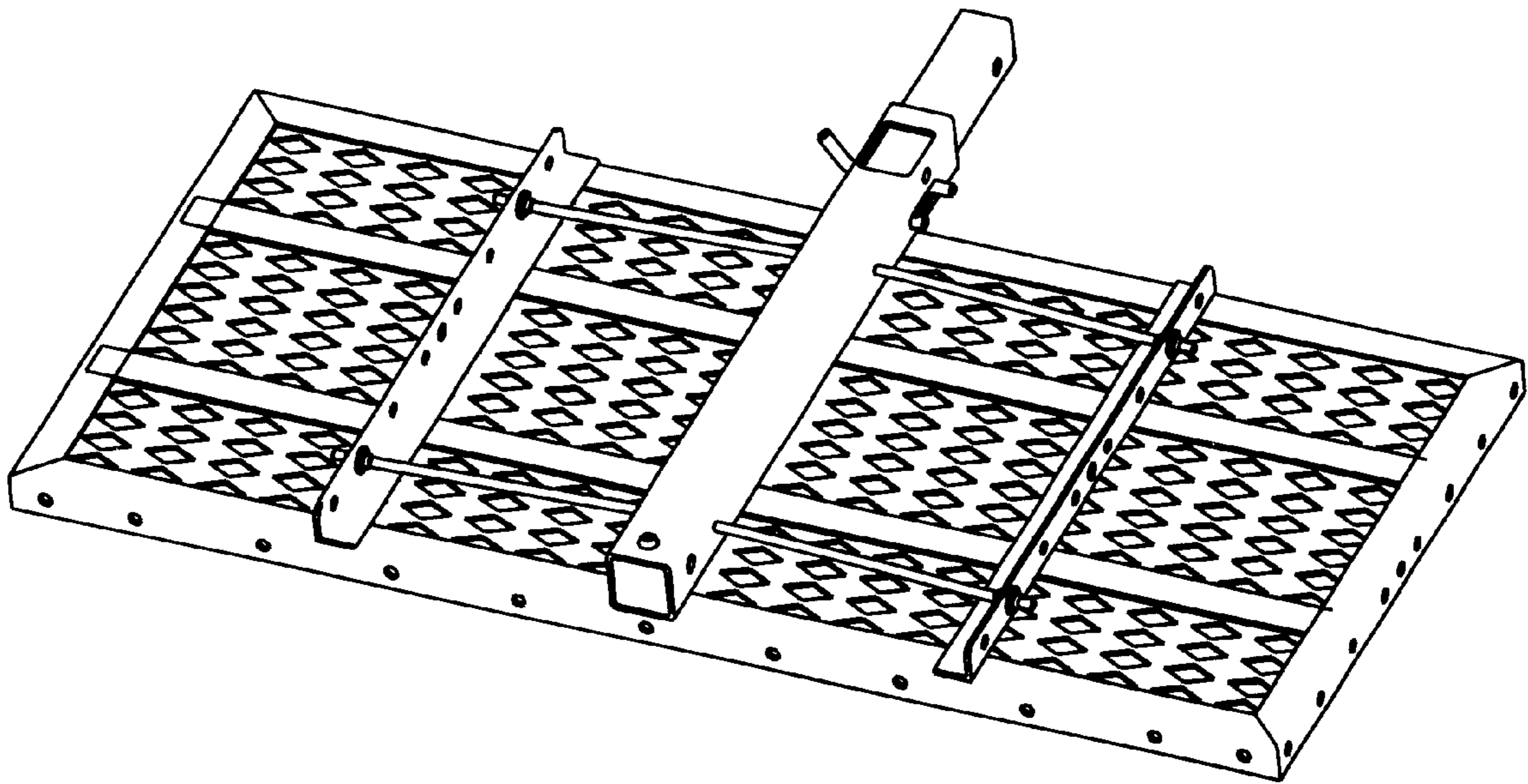


FIGURE 8

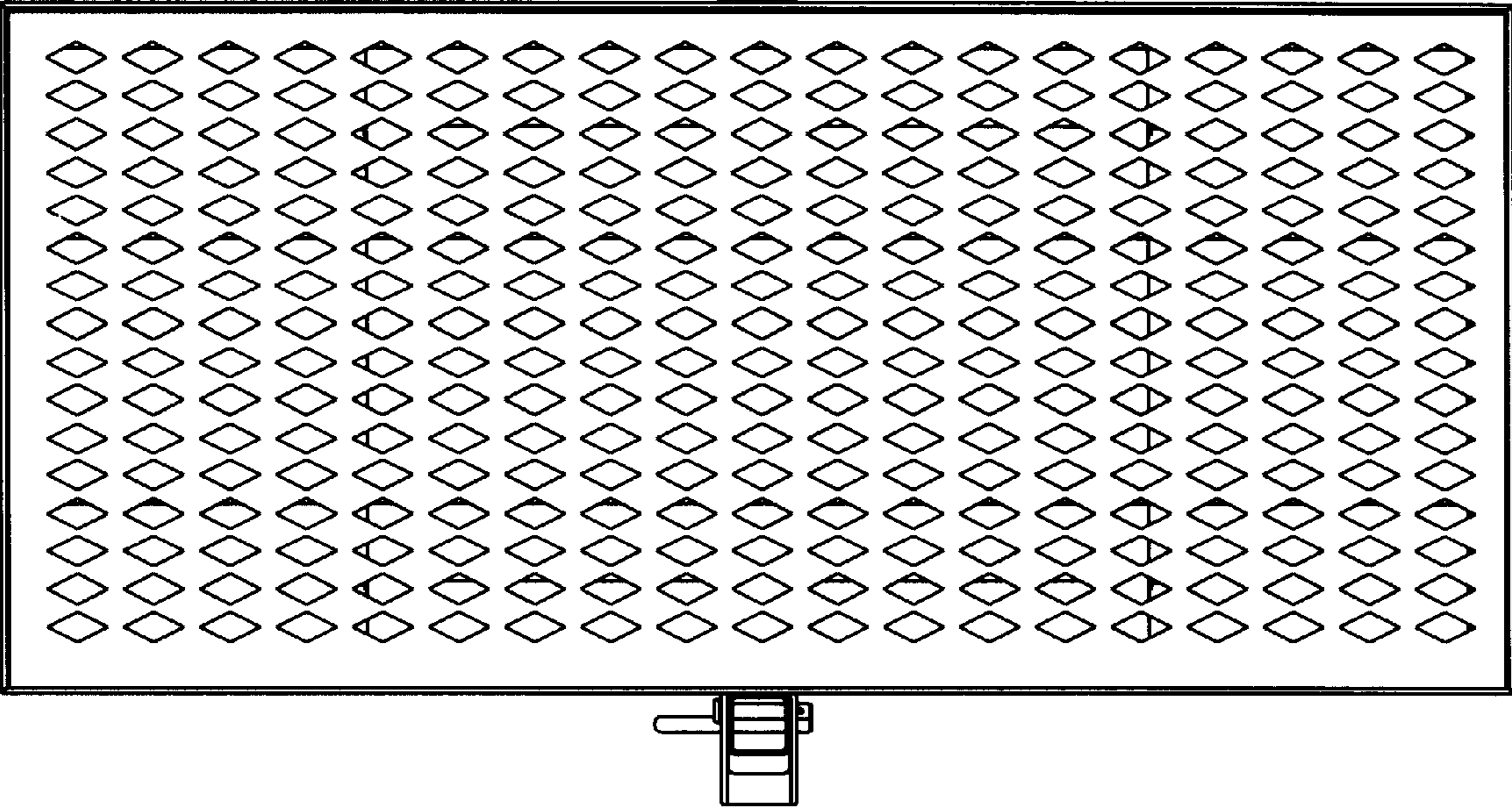


FIGURE 9

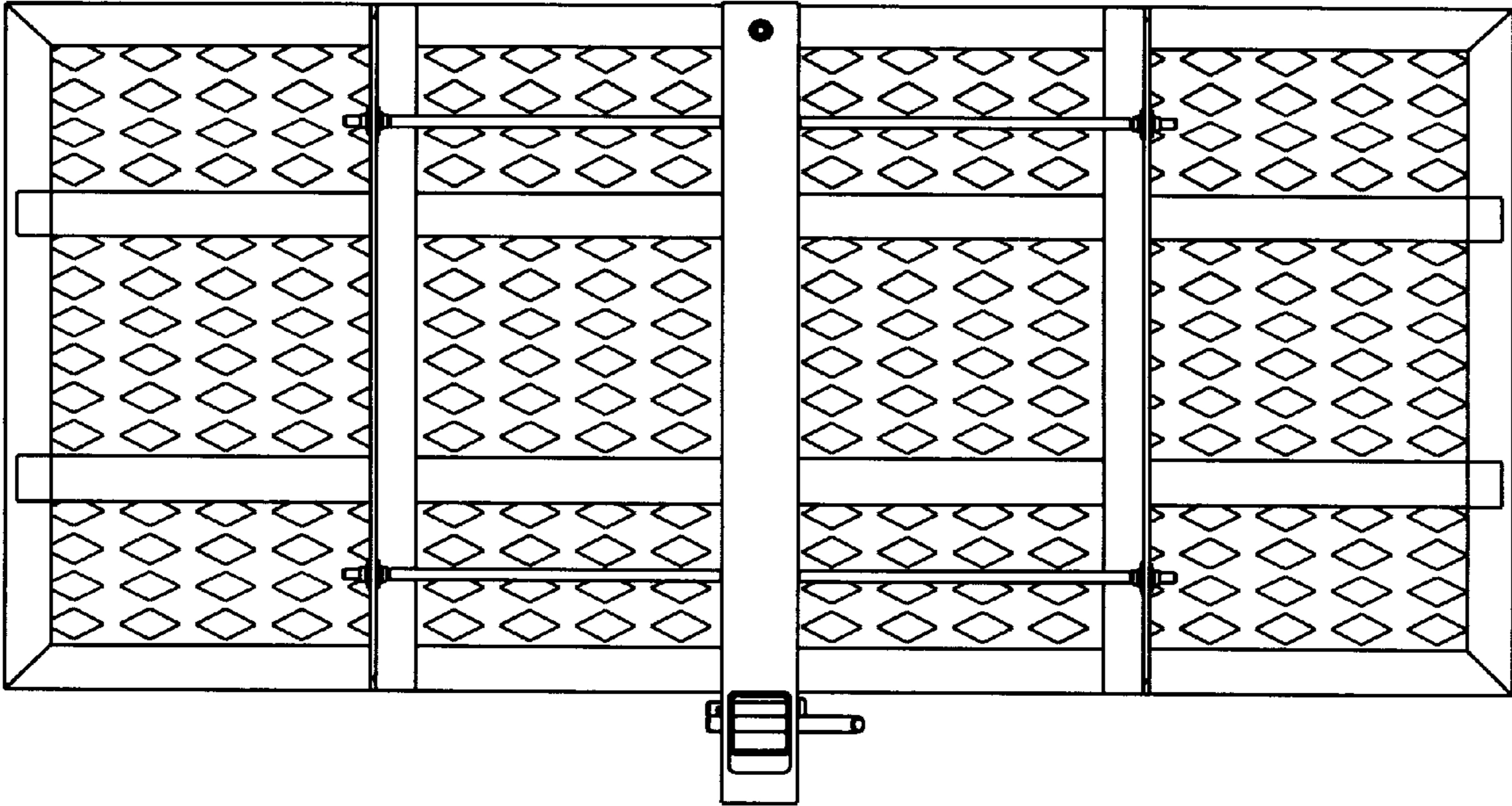


FIGURE 10

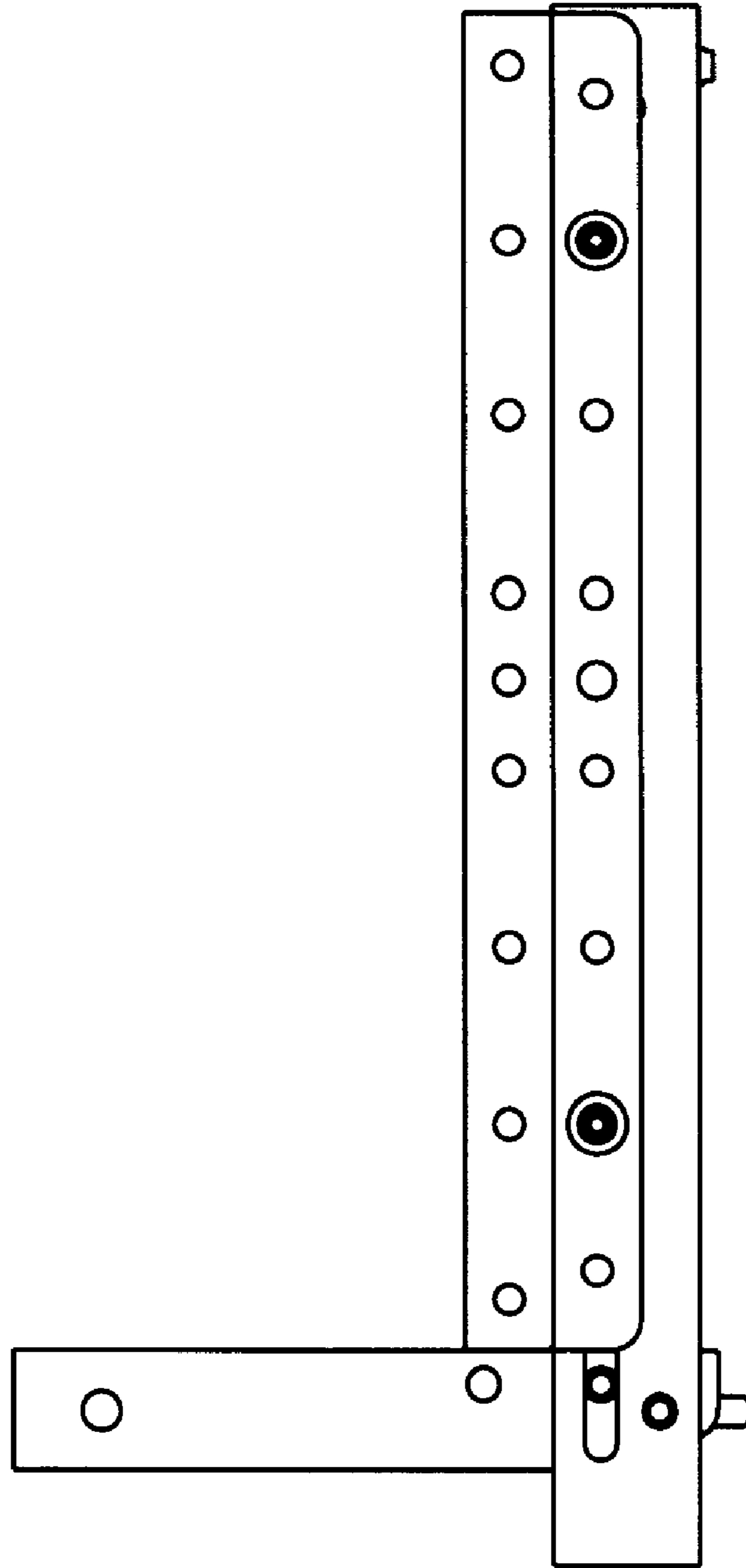


FIGURE 11

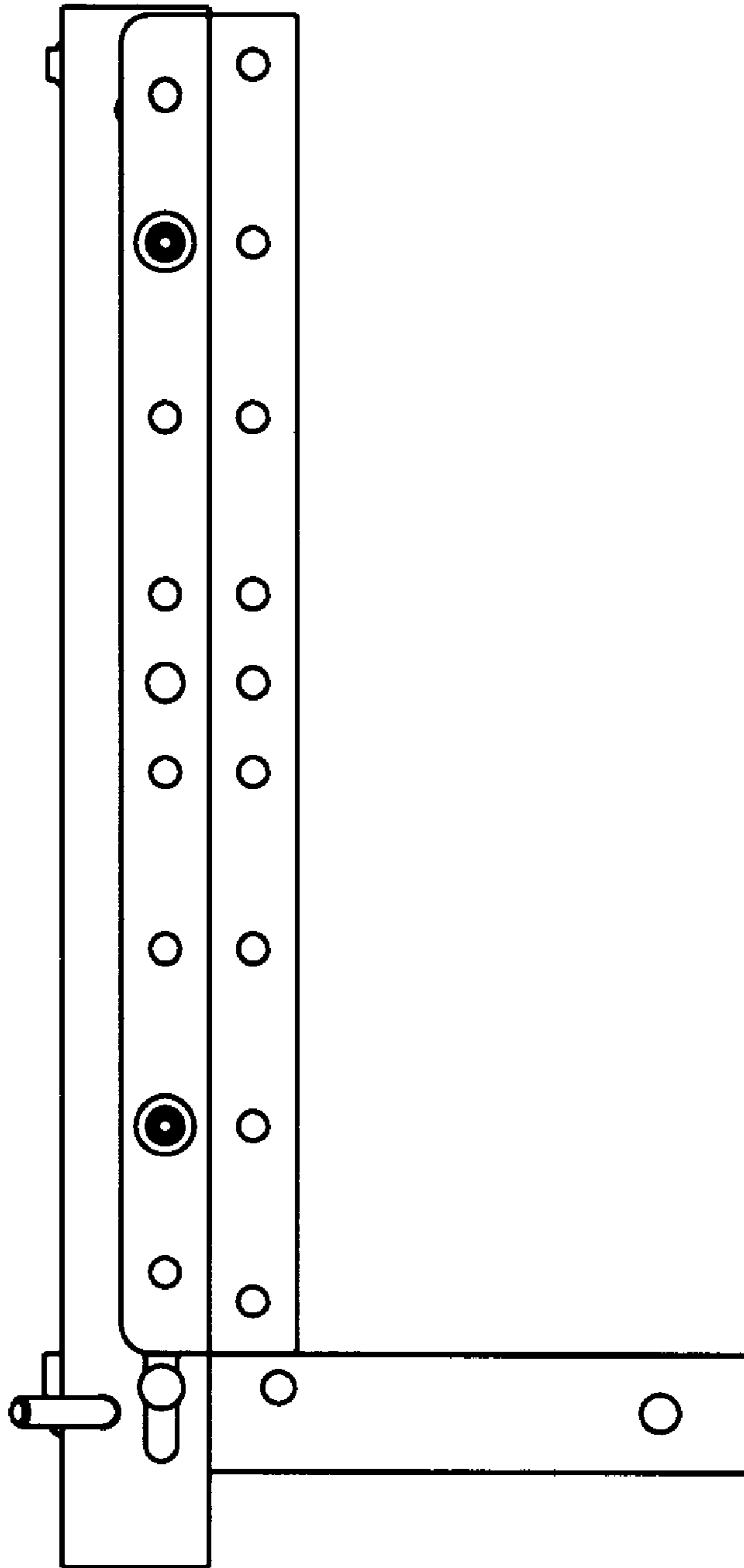


FIGURE 12

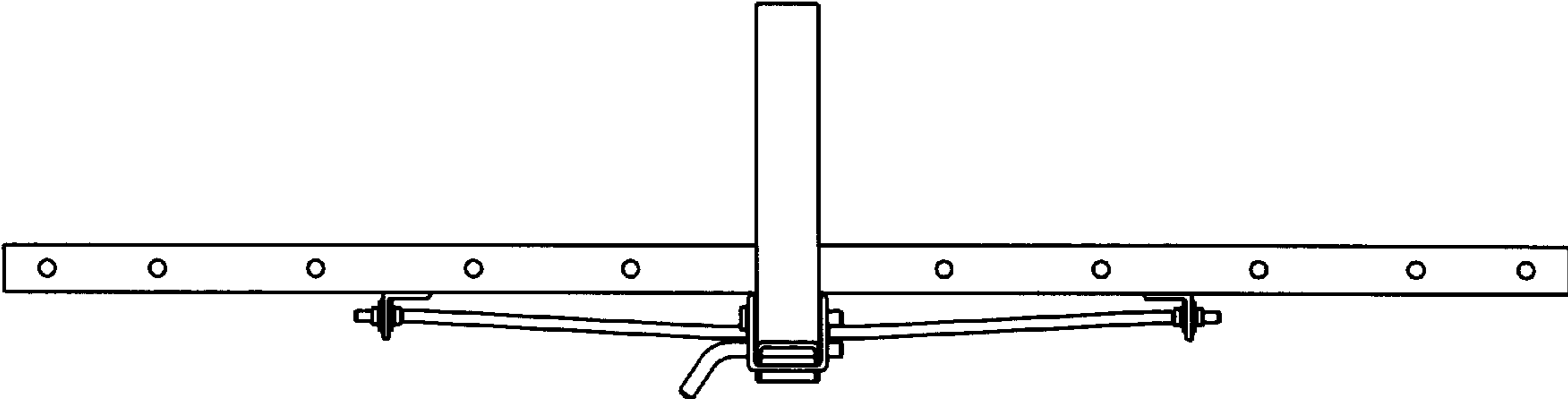


FIGURE 13

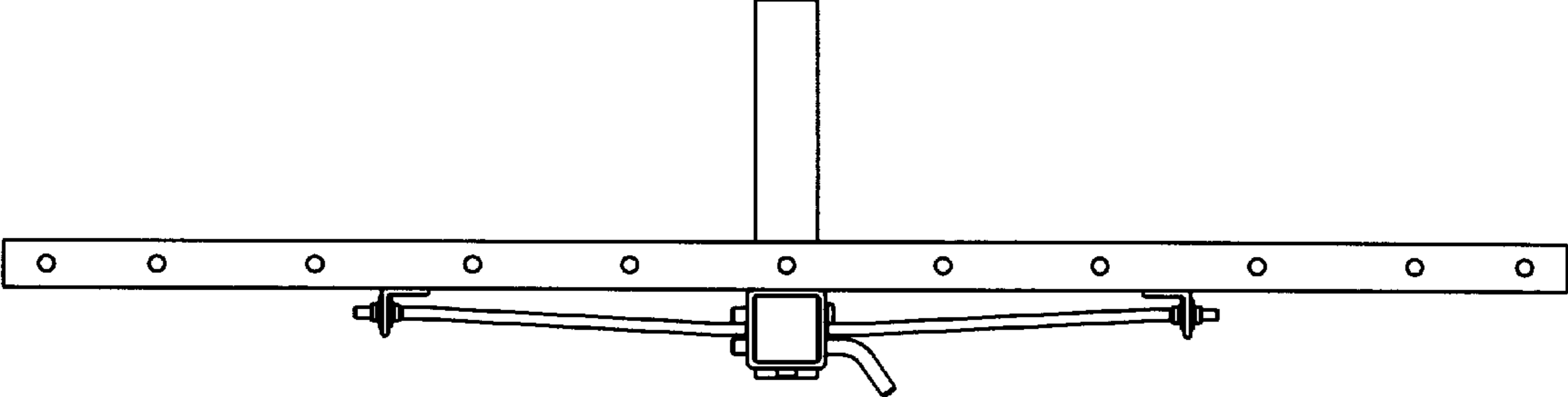


FIGURE 14

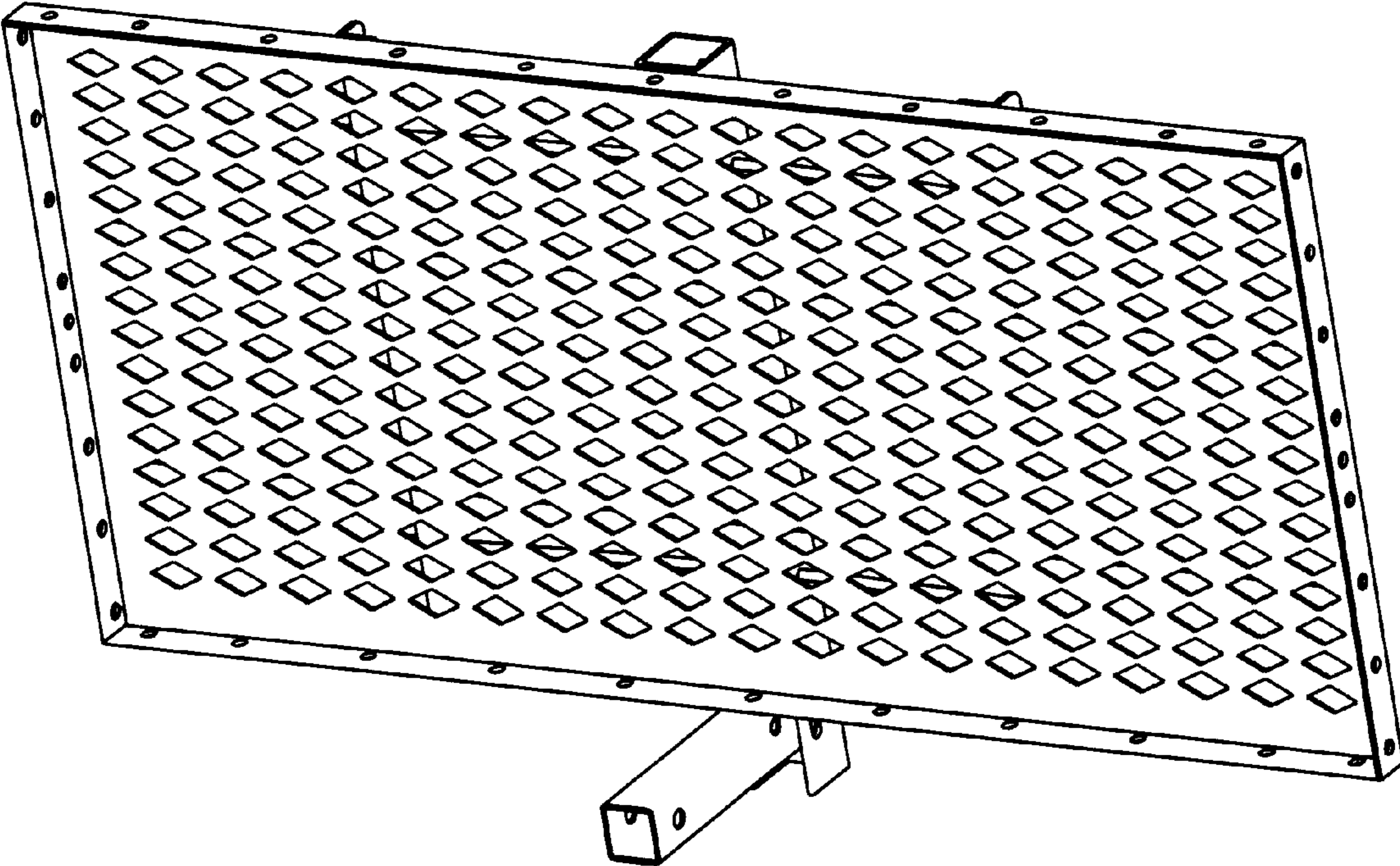


FIGURE 15

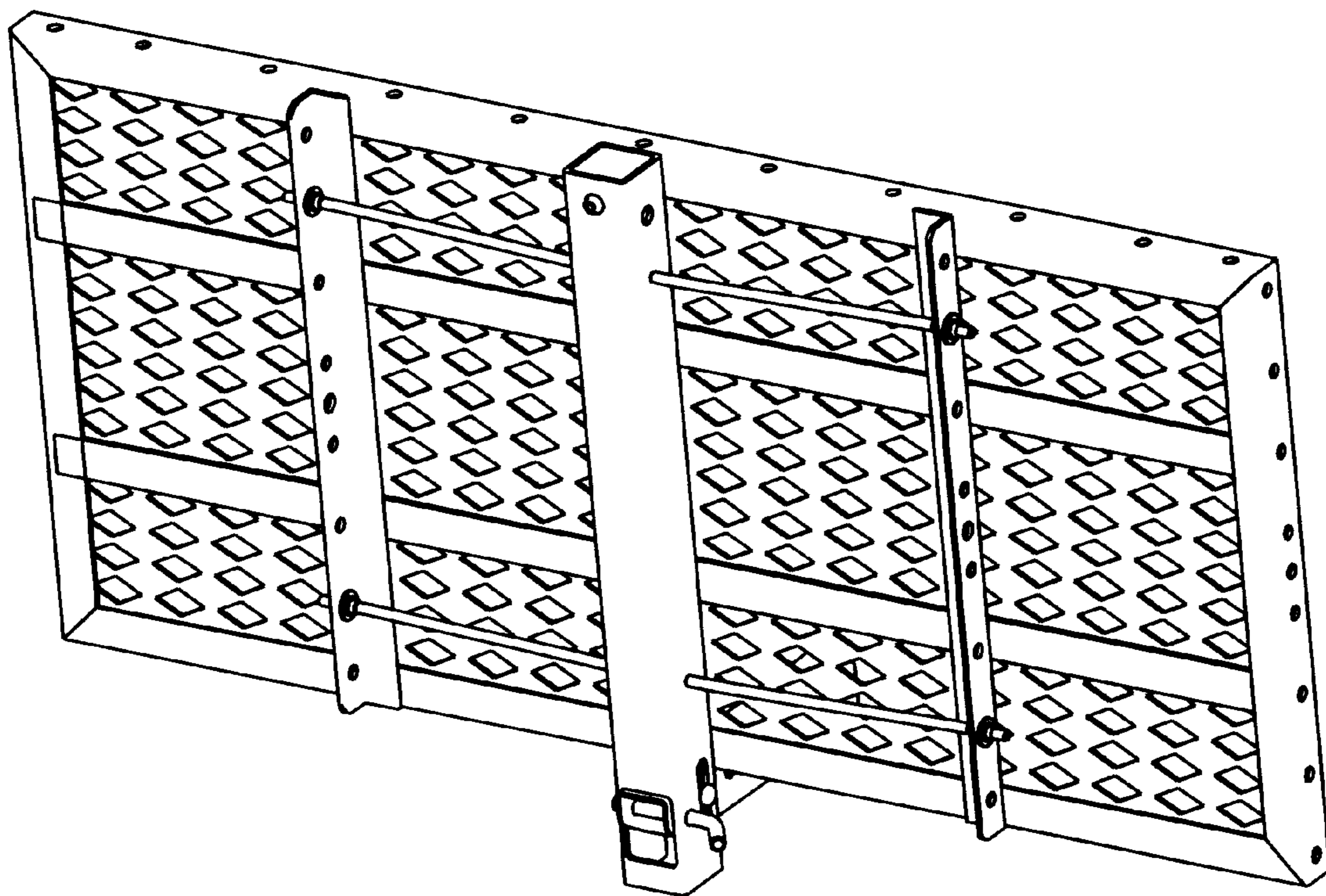


FIGURE 16