

US00D510062S

(12) **United States Design Patent**
McCormack

(10) **Patent No.: US D510,062 S**

(45) **Date of Patent: ** Sep. 27, 2005**

(54) **FISHING RAFT**

(75) Inventor: **John T. McCormack**, Boca Raton, FL
(US)

(73) Assignee: **John McCormack**, Boca Raton, FL
(US)

(**) Term: **14 Years**

(21) Appl. No.: **29/223,490**

(22) Filed: **Feb. 15, 2005**

(51) **LOC (8) Cl. 12-06**

(52) **U.S. Cl. D12/316**

(58) **Field of Search D12/300, 316,**
D12/317, 318; D25/138; 114/45, 263, 266,
258, 283

(56) **References Cited**

U.S. PATENT DOCUMENTS

885,627 A	4/1908	Loehr	
3,045,263 A	7/1962	Blachly	9/1
4,729,335 A	3/1988	Vidovic	114/266
D333,707 S	* 3/1993	Cerbone	D25/138
5,390,620 A	* 2/1995	Murphy et al.	114/263
5,823,132 A	10/1998	Donavon	114/266

5,870,964 A	* 2/1999	Gerber et al.	114/263
5,915,325 A	* 6/1999	Gerber et al.	114/263
6,098,564 A	* 8/2000	Zeilinger	114/263
D482,315 S	* 11/2003	Bridge et al.	D12/316

* cited by examiner

Primary Examiner—Holly Baynham

Assistant Examiner—Cynthia M. Chin

(74) *Attorney, Agent, or Firm*—Gary P. Topolosky

(57) **CLAIM**

The ornamental design for a fishing raft, as shown and described.

DESCRIPTION

FIG. 1 is a perspective view of the fishing raft showing my new design;

FIG. 2 is a top plan view thereof;

FIG. 3 is a right side elevational view thereof;

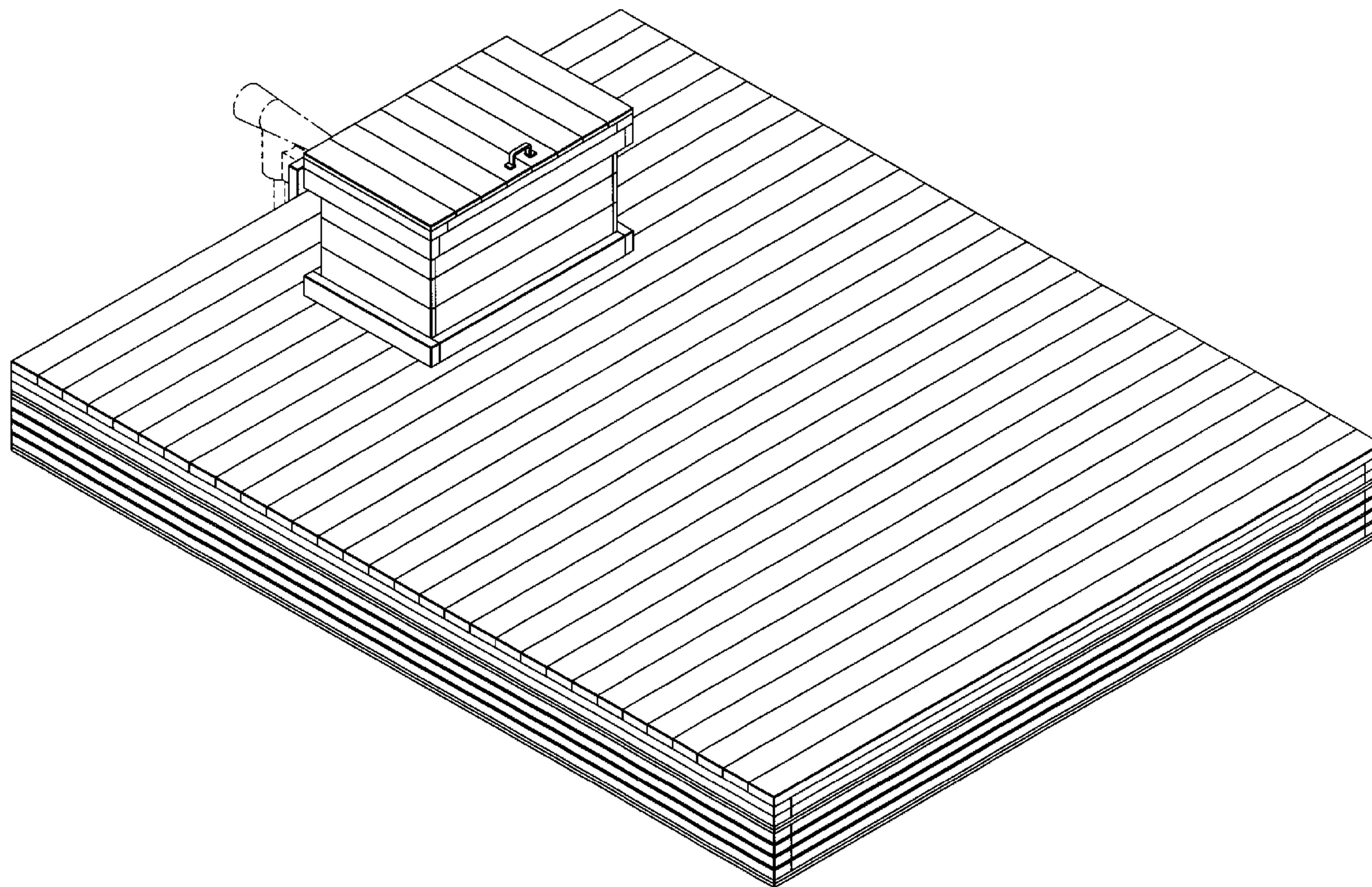
FIG. 4 is a front elevational view thereof;

FIG. 5 is a rear elevational view thereof; and,

FIG. 6 is a bottom view thereof.

The broken line showing of a propeller motor in all the foregoing Figures is for illustrative purposes only and forms no part of the claimed design.

1 Claim, 5 Drawing Sheets



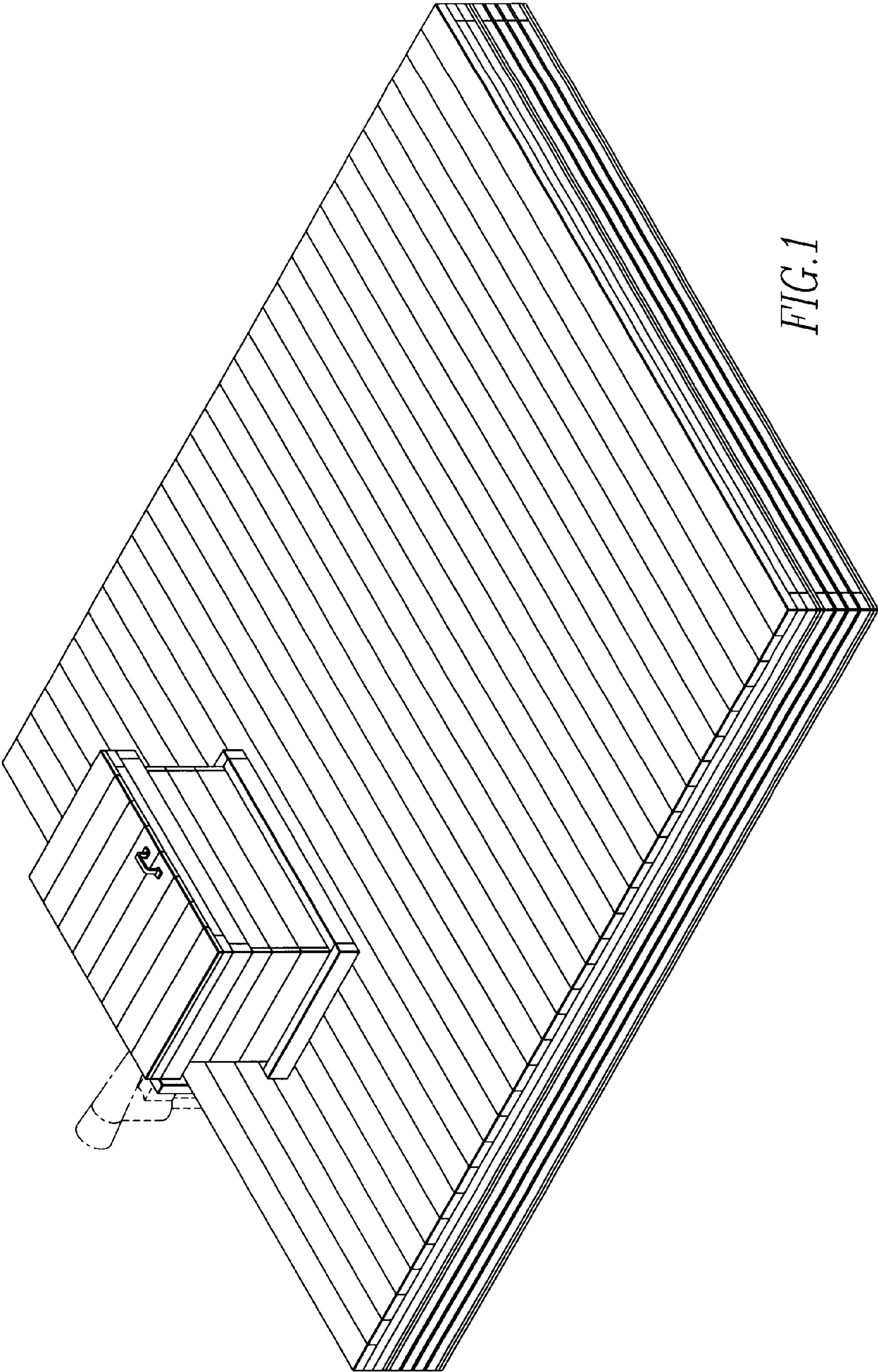


FIG. 1

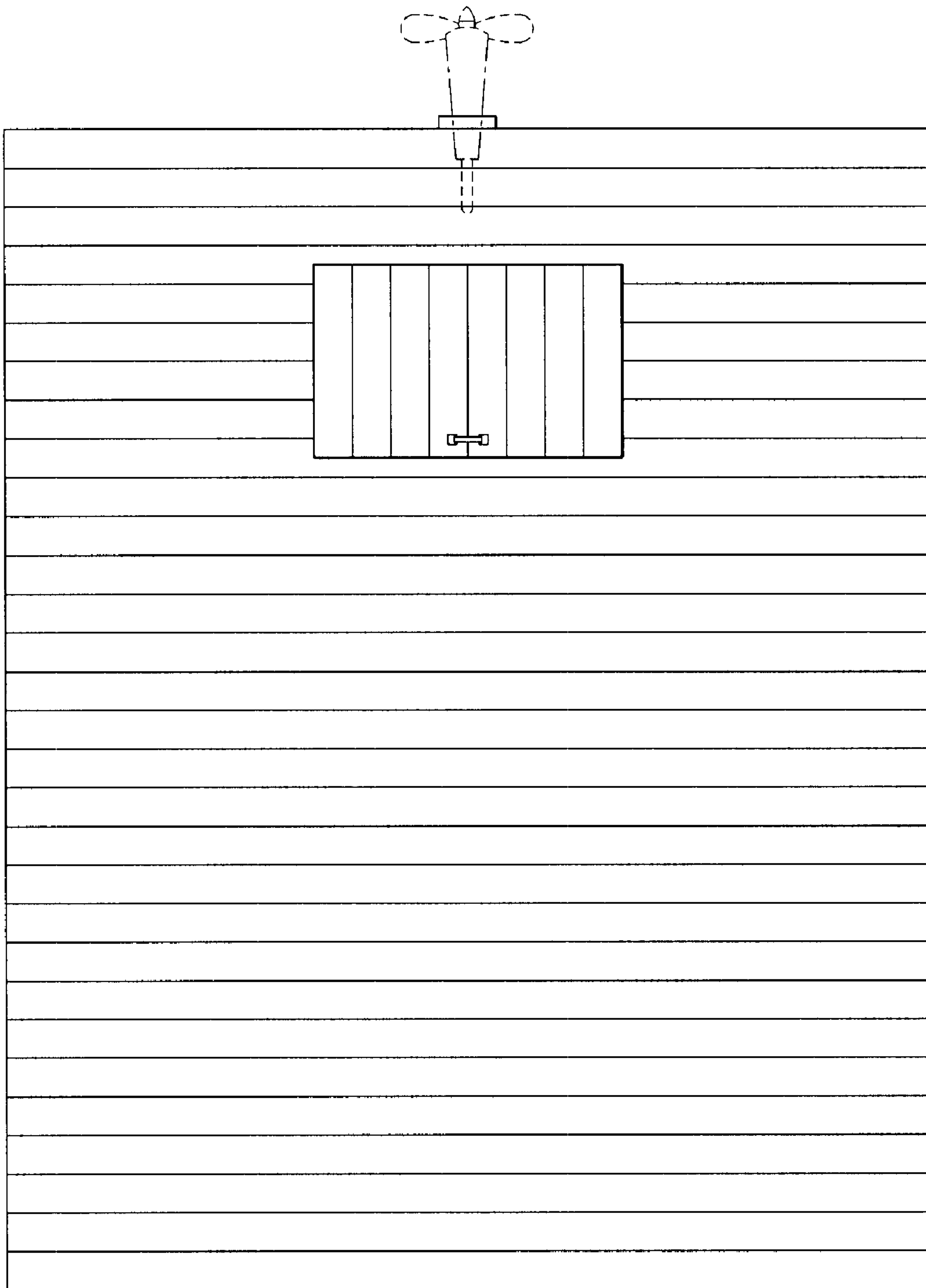


FIG. 2

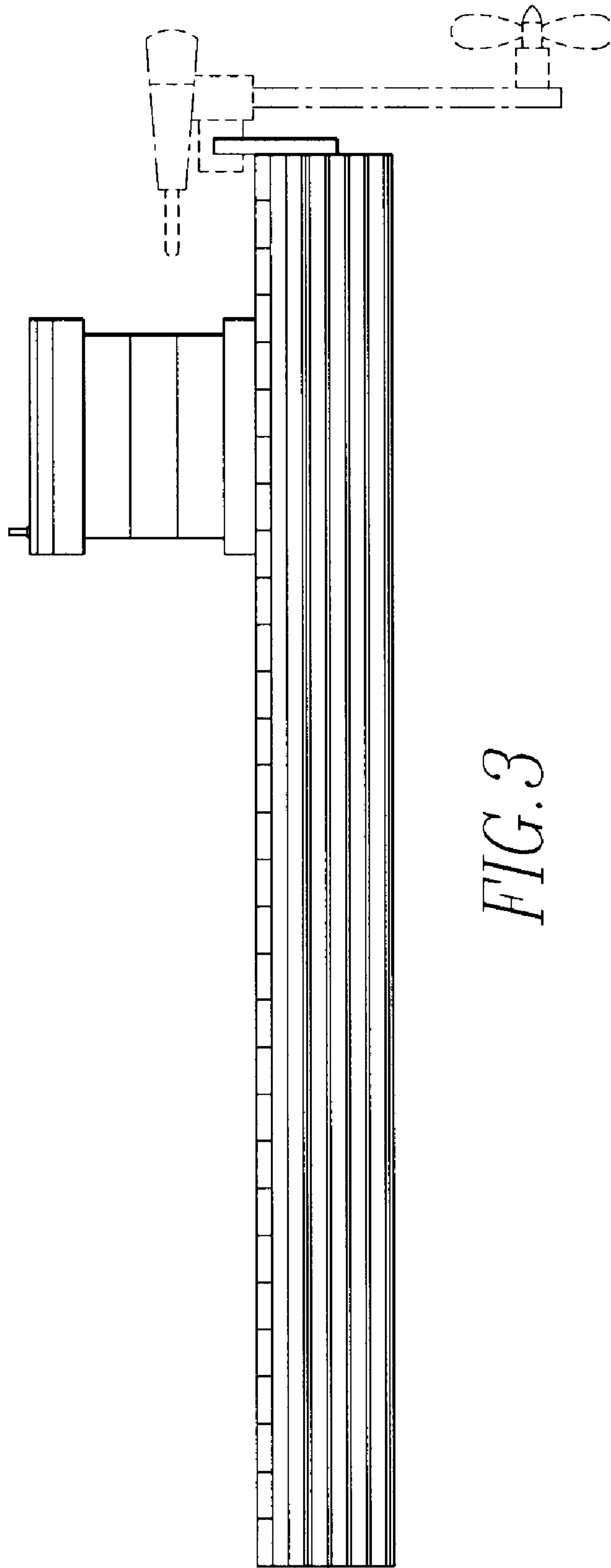
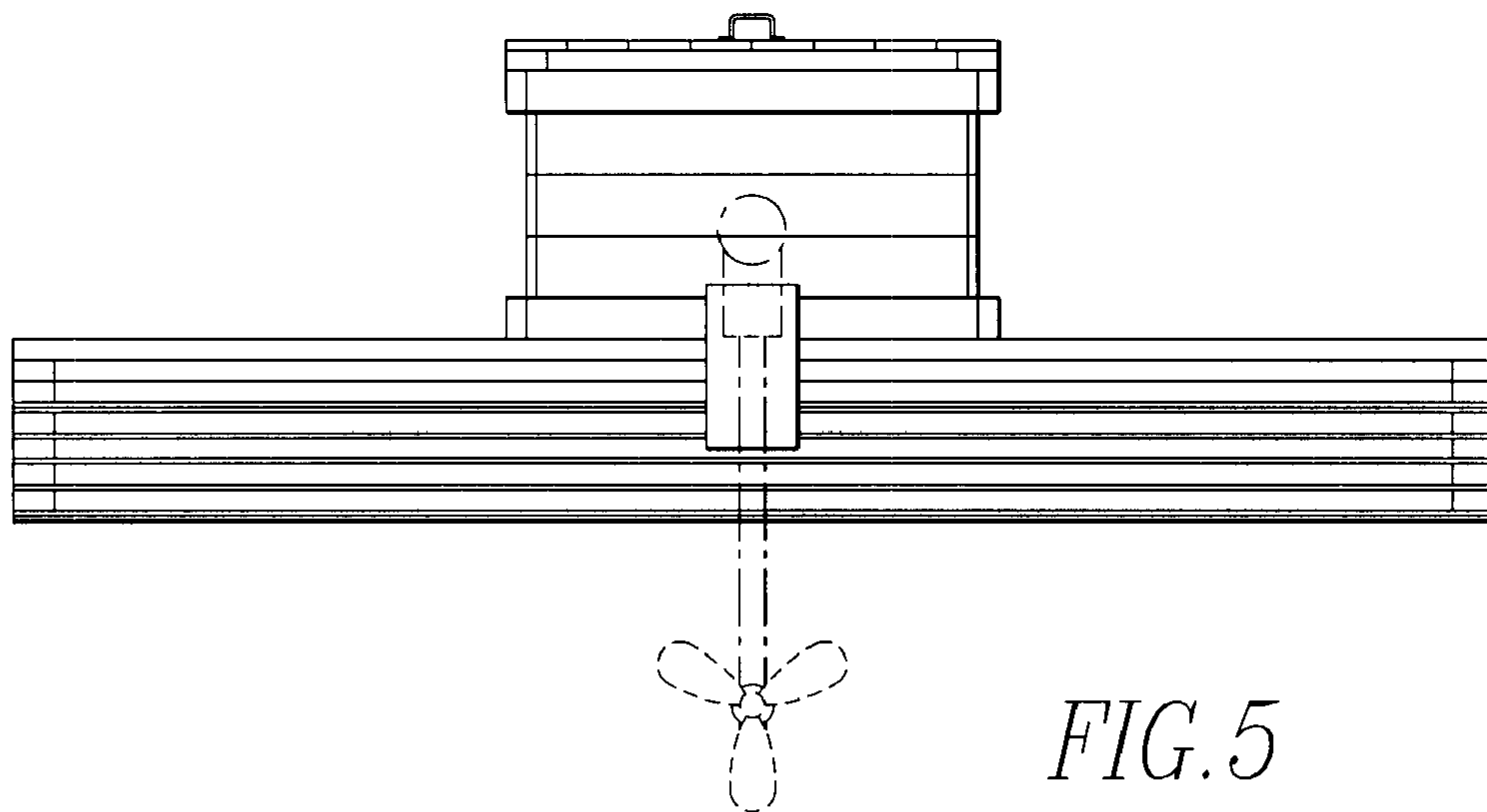
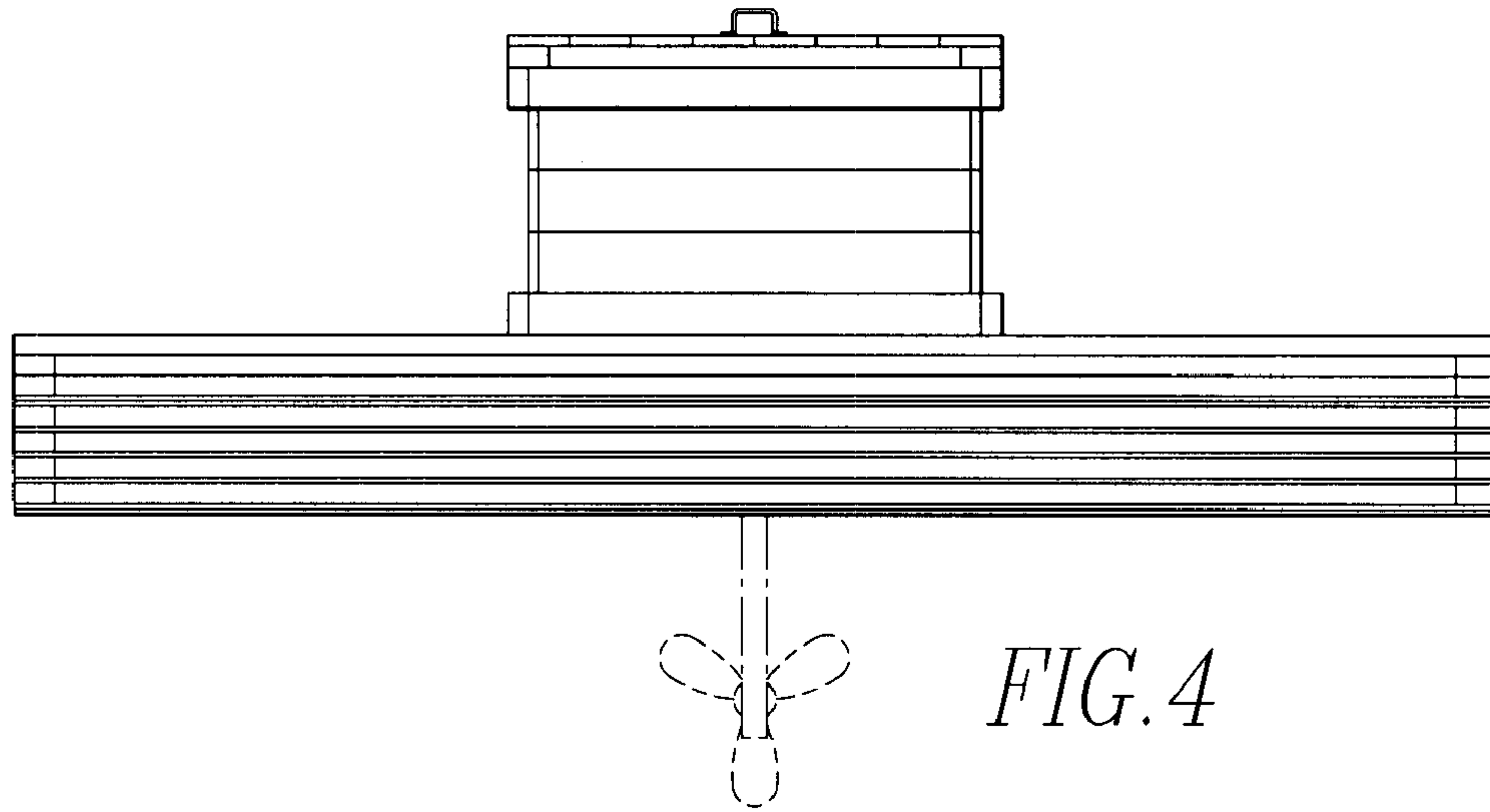


FIG. 3



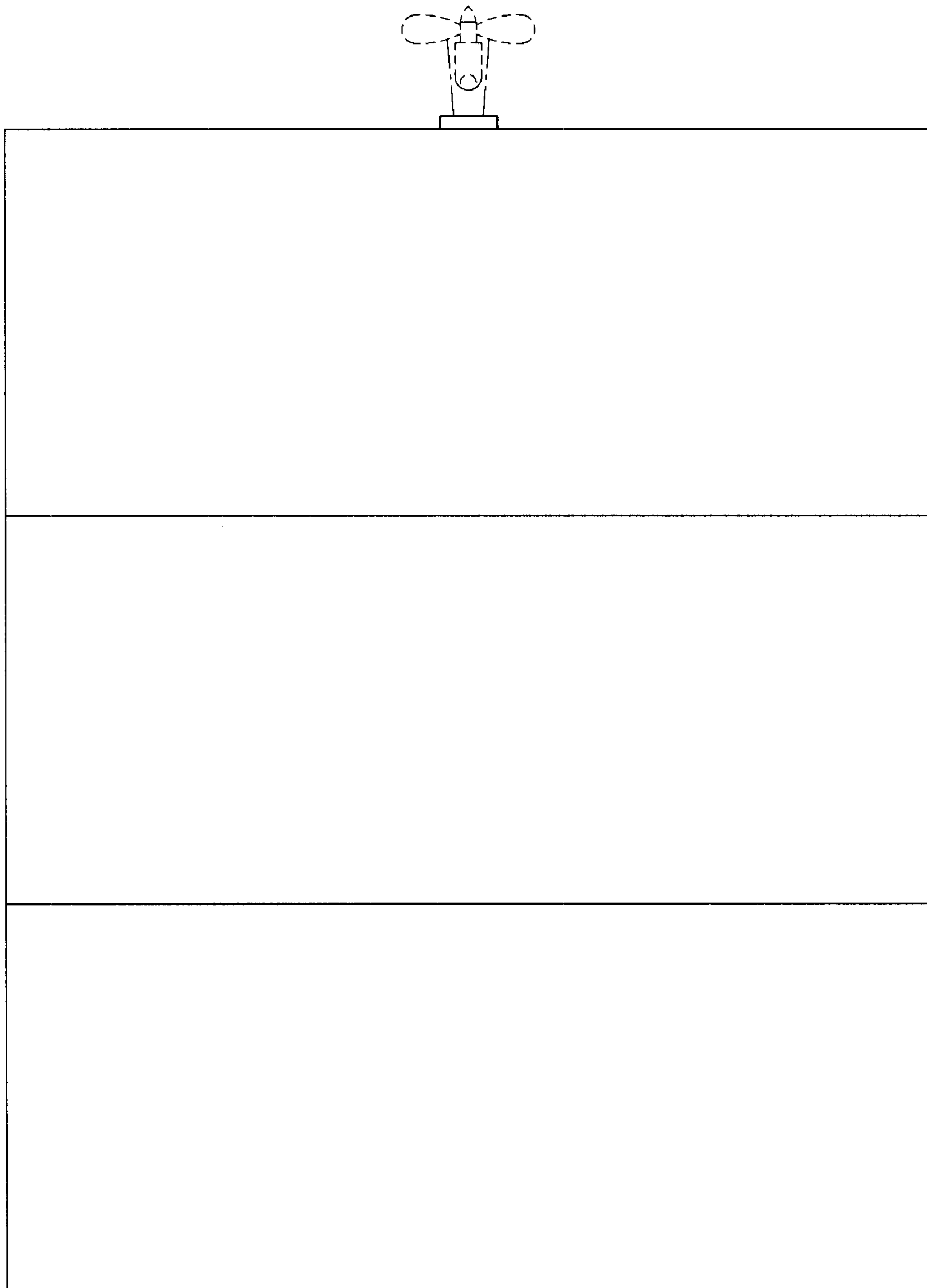


FIG. 6