



US00D510058S

(12) **United States Design Patent** (10) **Patent No.:** **US D510,058 S**
Lin (45) **Date of Patent:** **** Sep. 27, 2005**

(54) **MOTORCYCLE**

(75) Inventor: **Ching-Hua Lin**, Ta-Li (TW)

(73) Assignee: **CPI Motor Co.**, Ta-Li (TW)

(**) Term: **14 Years**

(21) Appl. No.: **29/201,009**

(22) Filed: **Mar. 9, 2004**

(51) **LOC (8) Cl.** **12-11**

(52) **U.S. Cl.** **D12/110**

(58) **Field of Search** **D12/110; 180/219, 180/220, 225**

(56) **References Cited**

U.S. PATENT DOCUMENTS

D439,552 S * 3/2001 Tsukui et al. D12/110

* cited by examiner

Primary Examiner—Alan P. Douglas

Assistant Examiner—Linda Brooks

(74) *Attorney, Agent, or Firm*—Alan D. Kamrath; Nikolai & Mersereau, P.A.

(57) **CLAIM**

The ornamental design for a motorcycle, as shown.

DESCRIPTION

FIG. 1 is a perspective view of a motorcycle, showing my new design;

FIG. 2 is a front elevational view thereof;

FIG. 3 is a rear elevational view thereof;

FIG. 4 is a left side elevational view thereof;

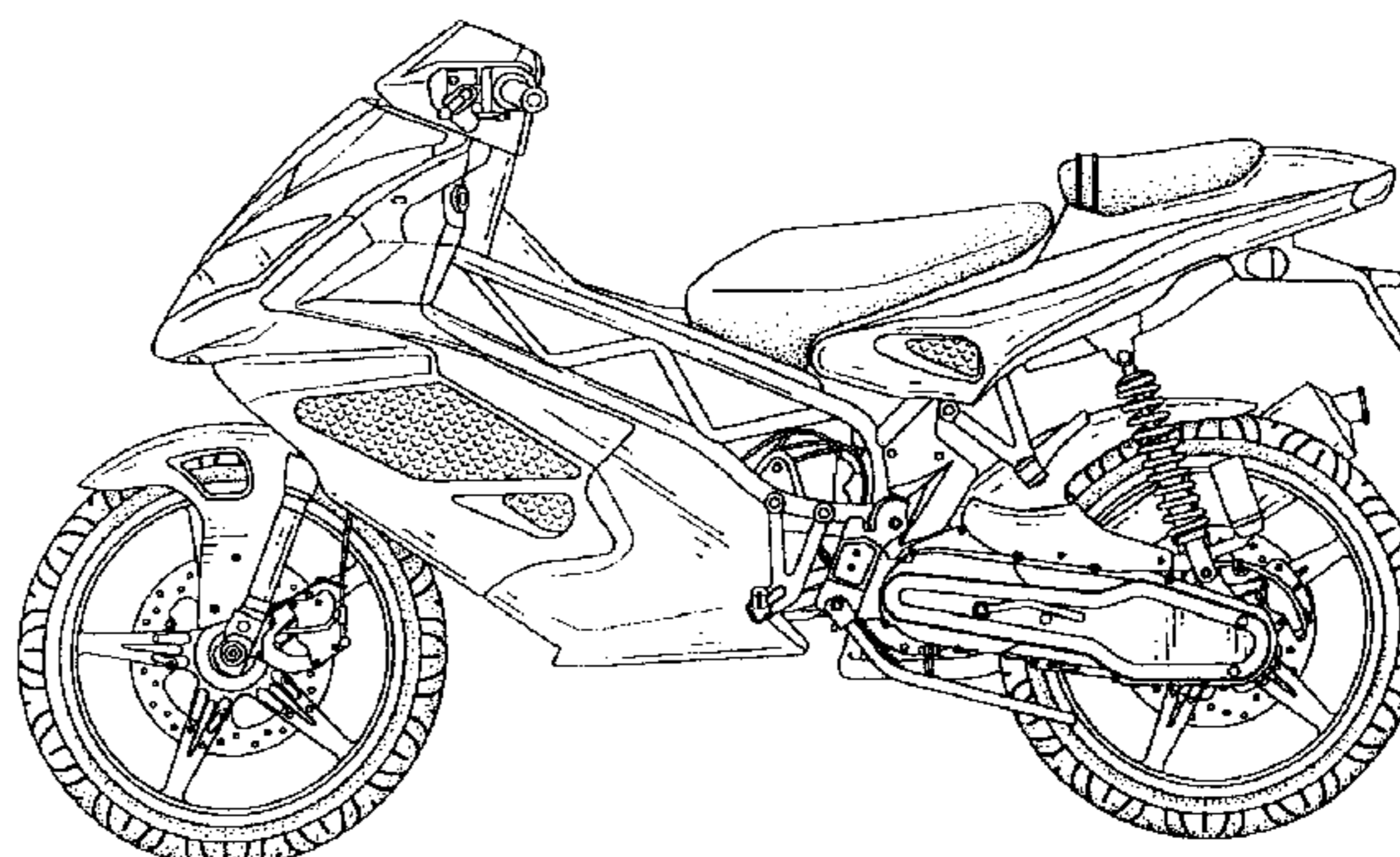
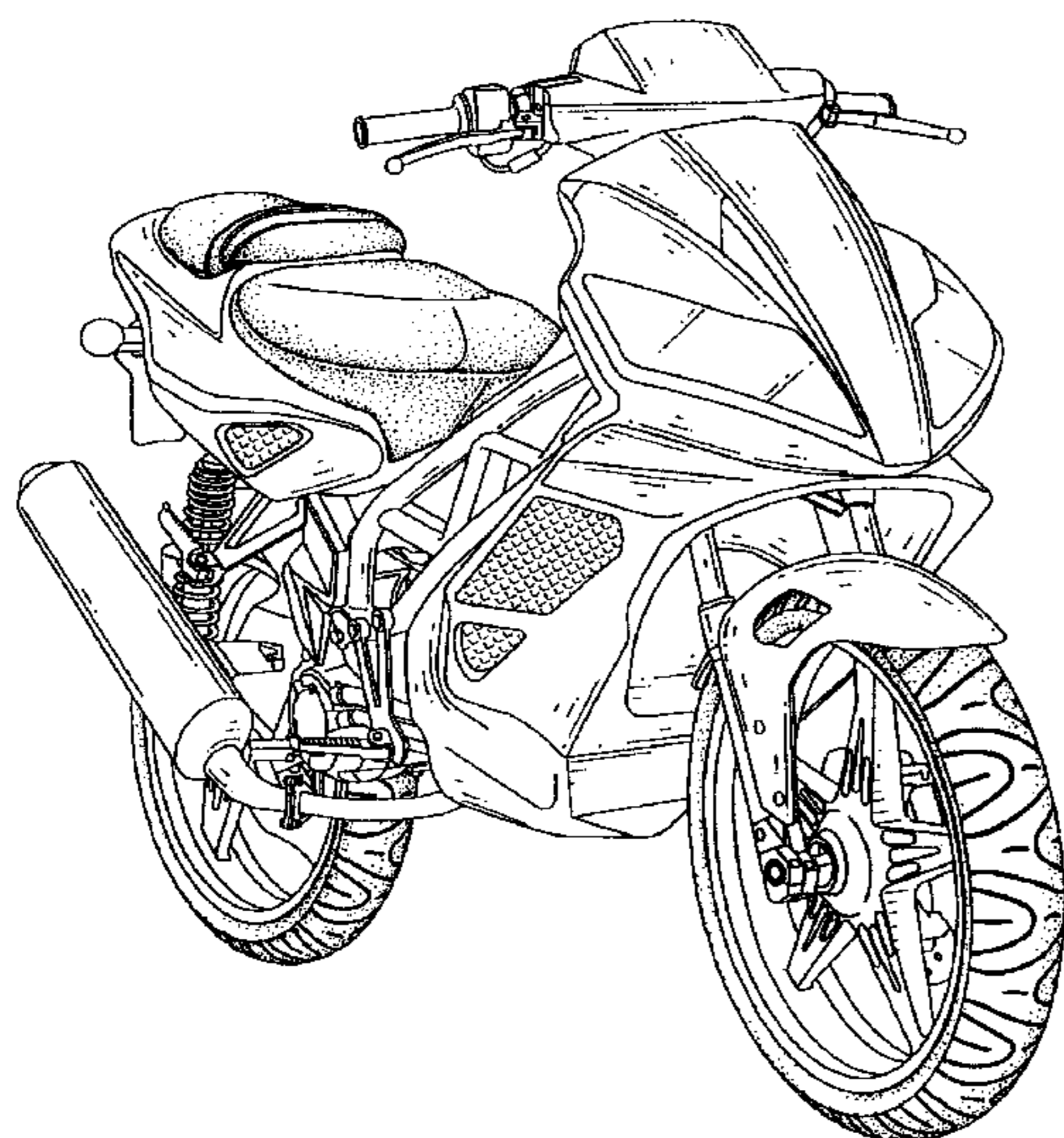
FIG. 5 is a right side elevational view thereof;

FIG. 6 is a top plan view thereof;

FIG. 7 is a bottom plan view thereof; and,

FIG. 8 is a rear perspective view thereof.

1 Claim, 5 Drawing Sheets



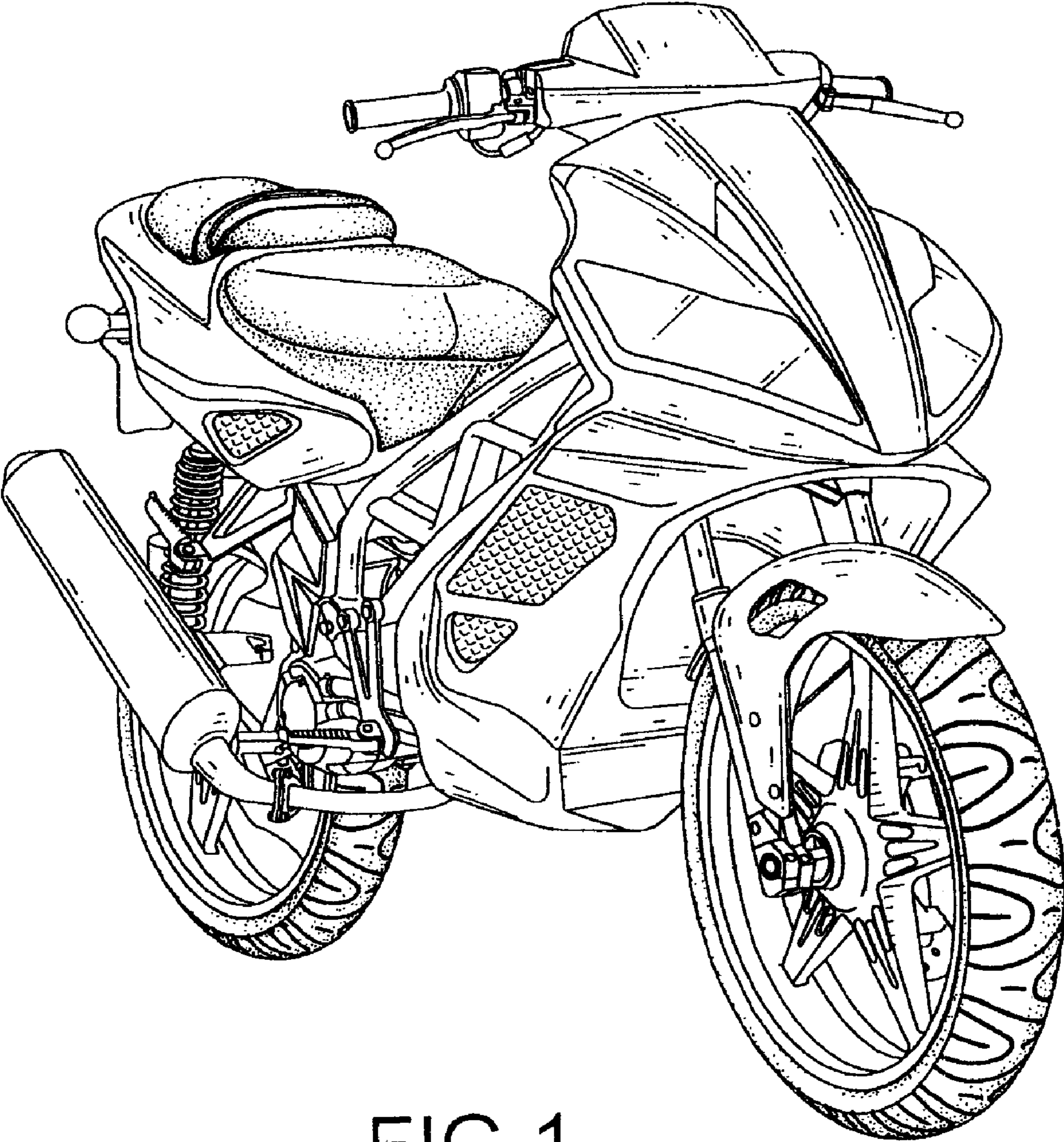


FIG. 1

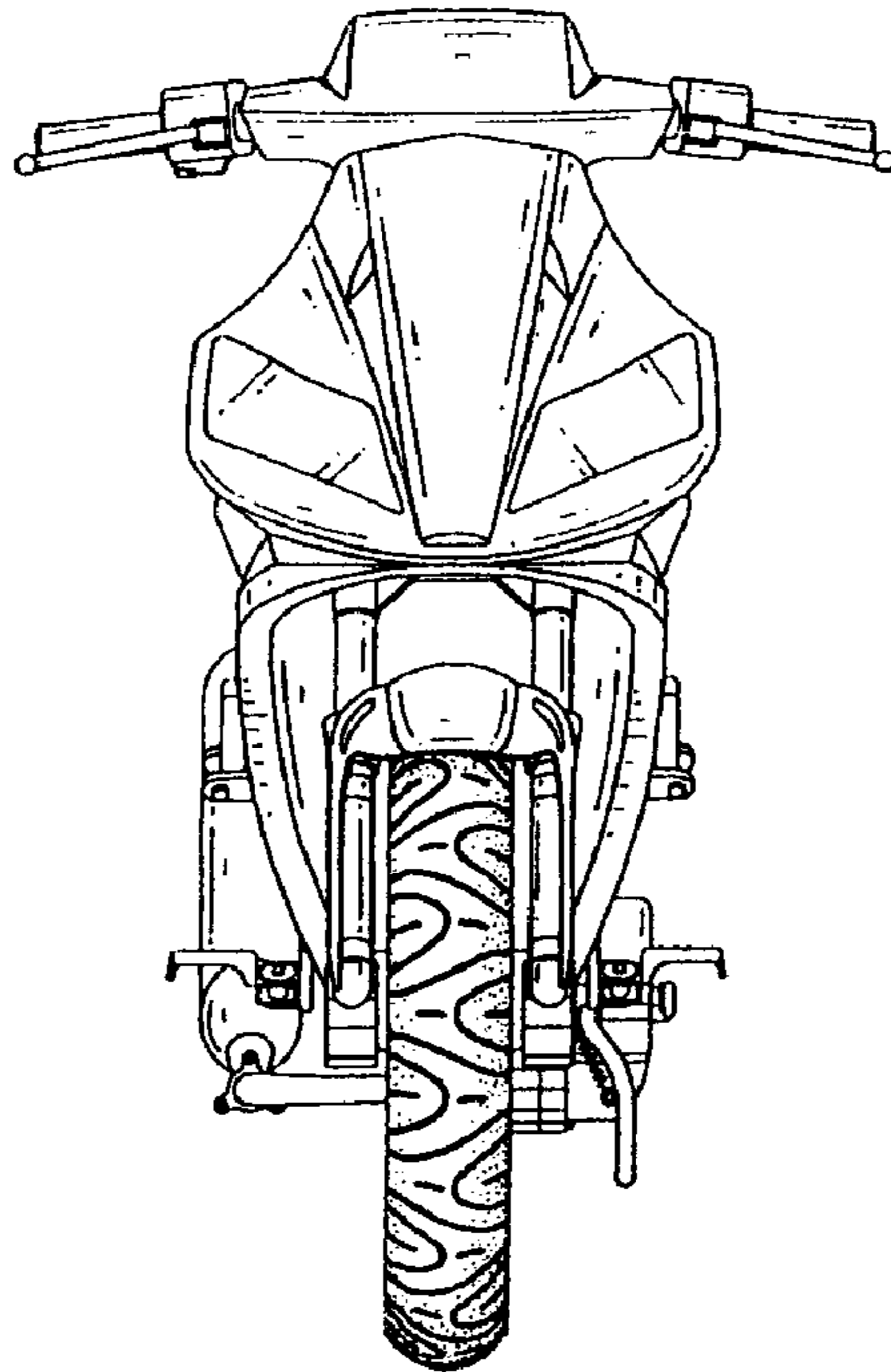


FIG. 2

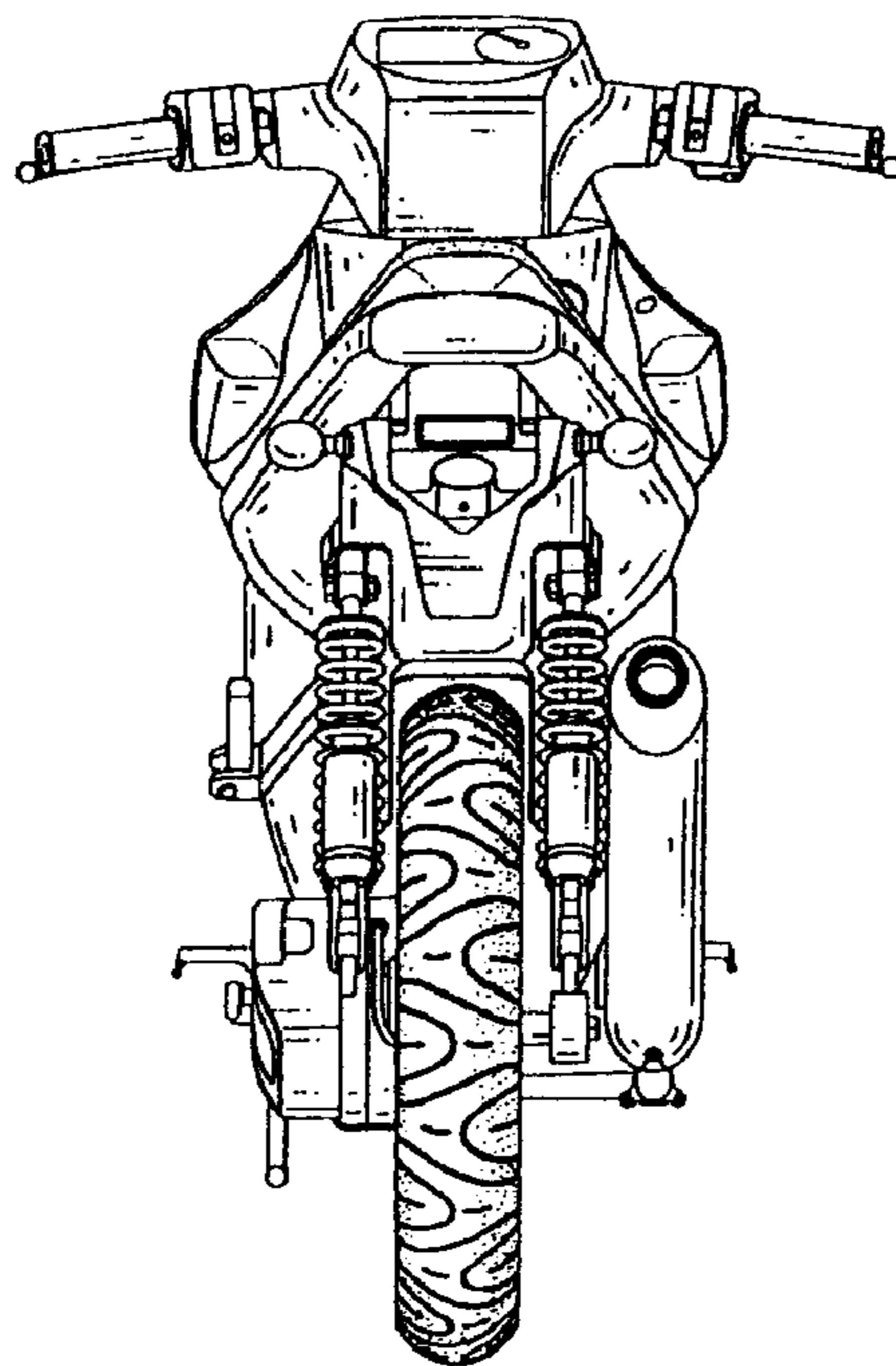


FIG. 3

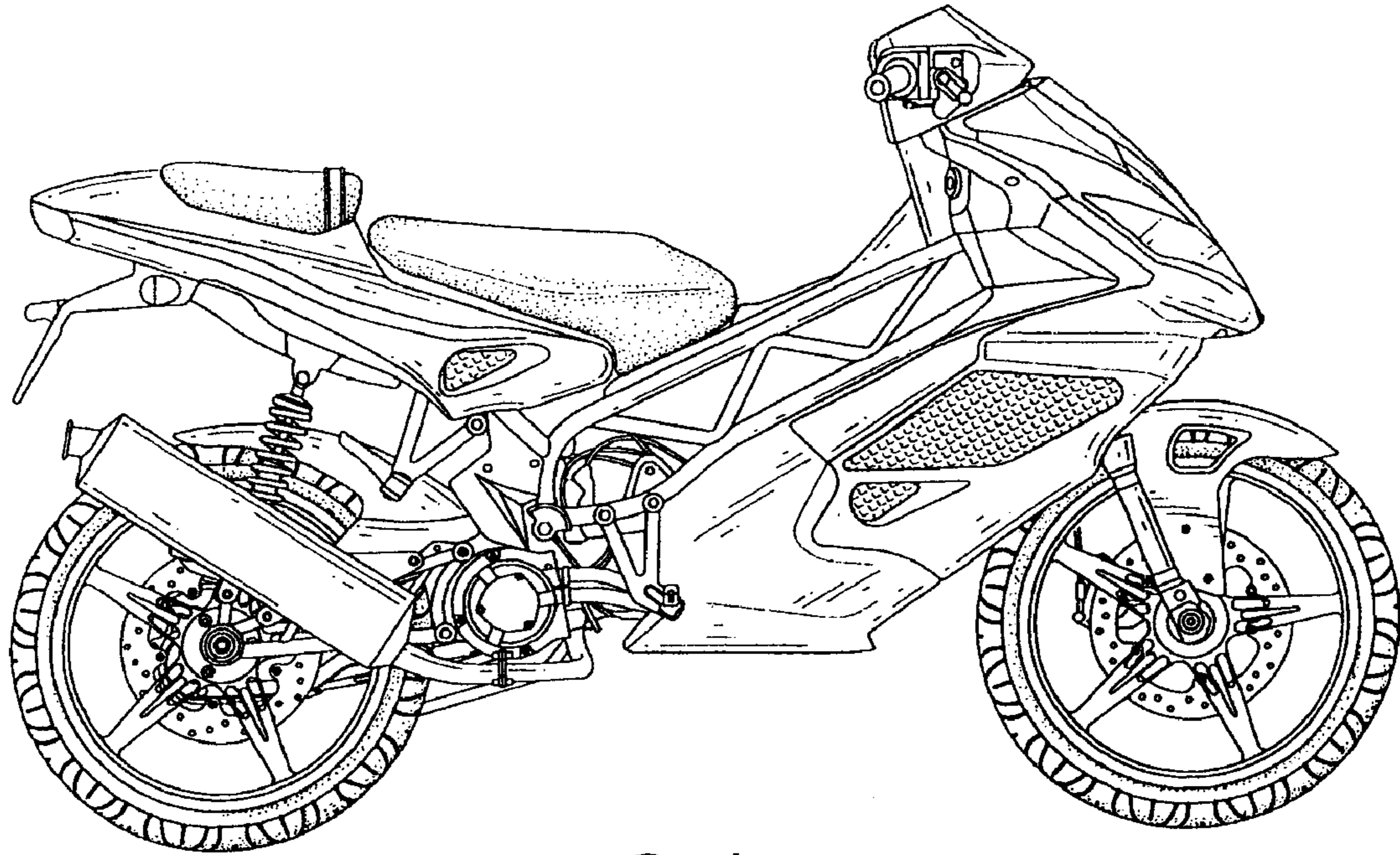


FIG.4

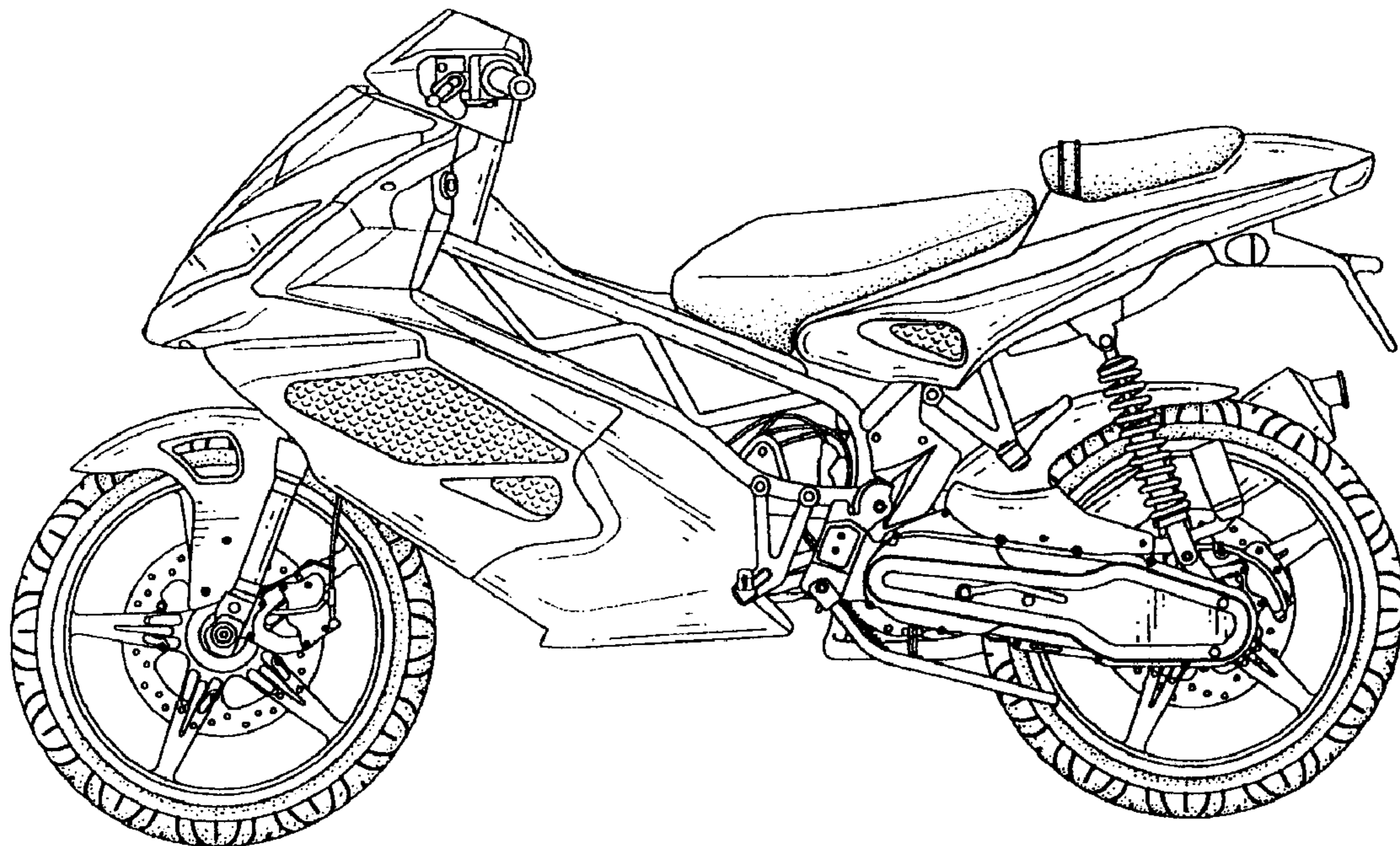


FIG.5

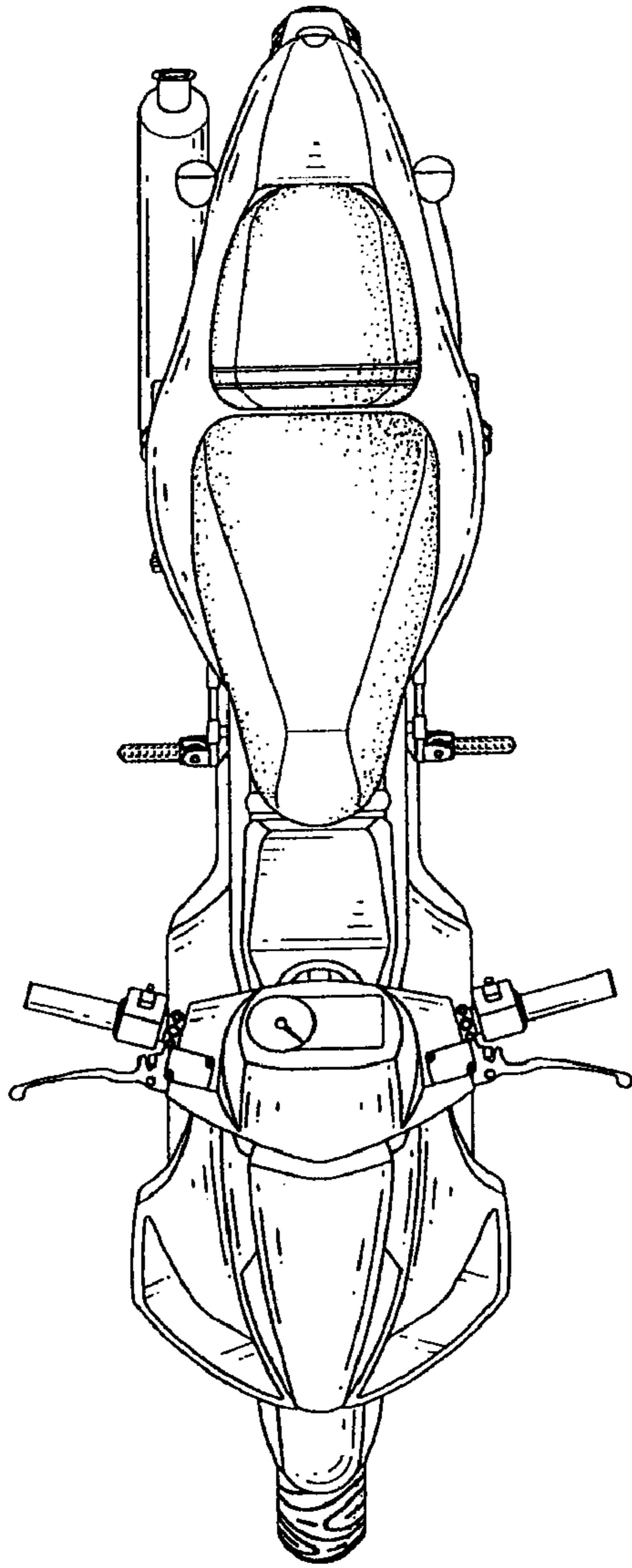


FIG. 6

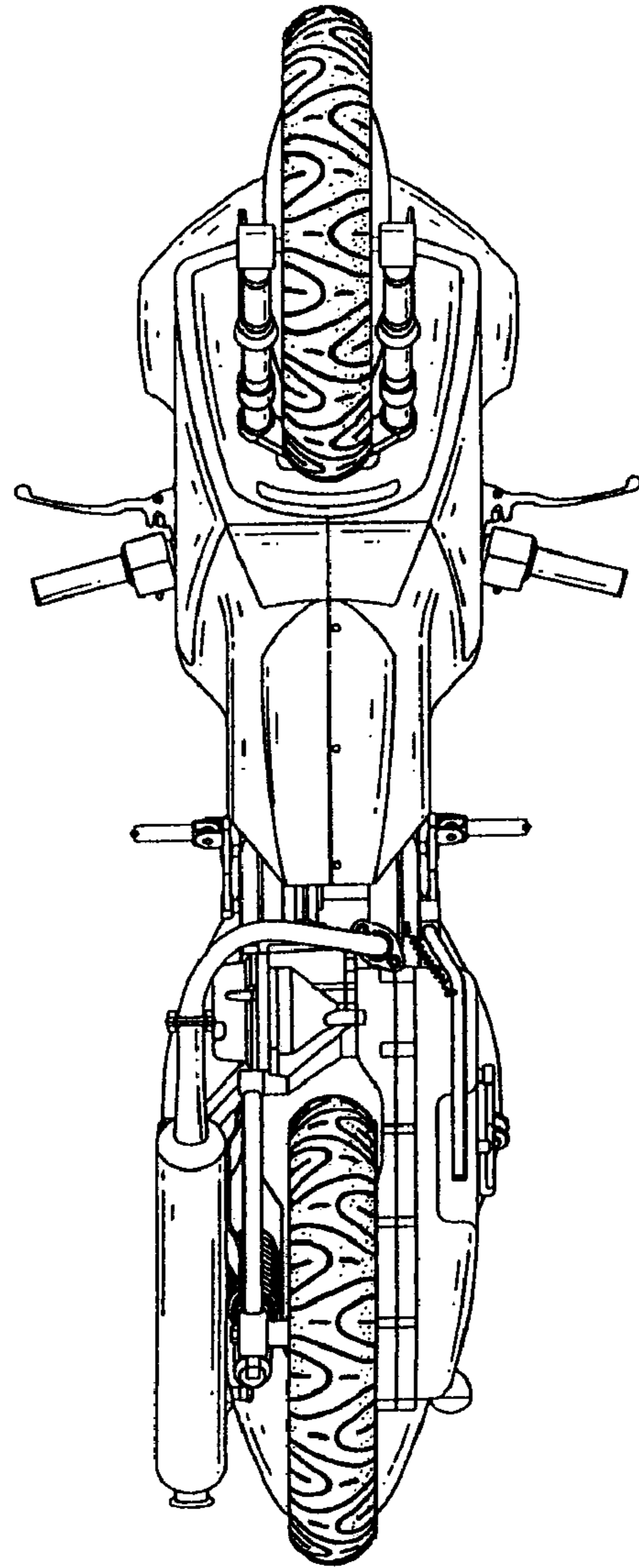


FIG. 7

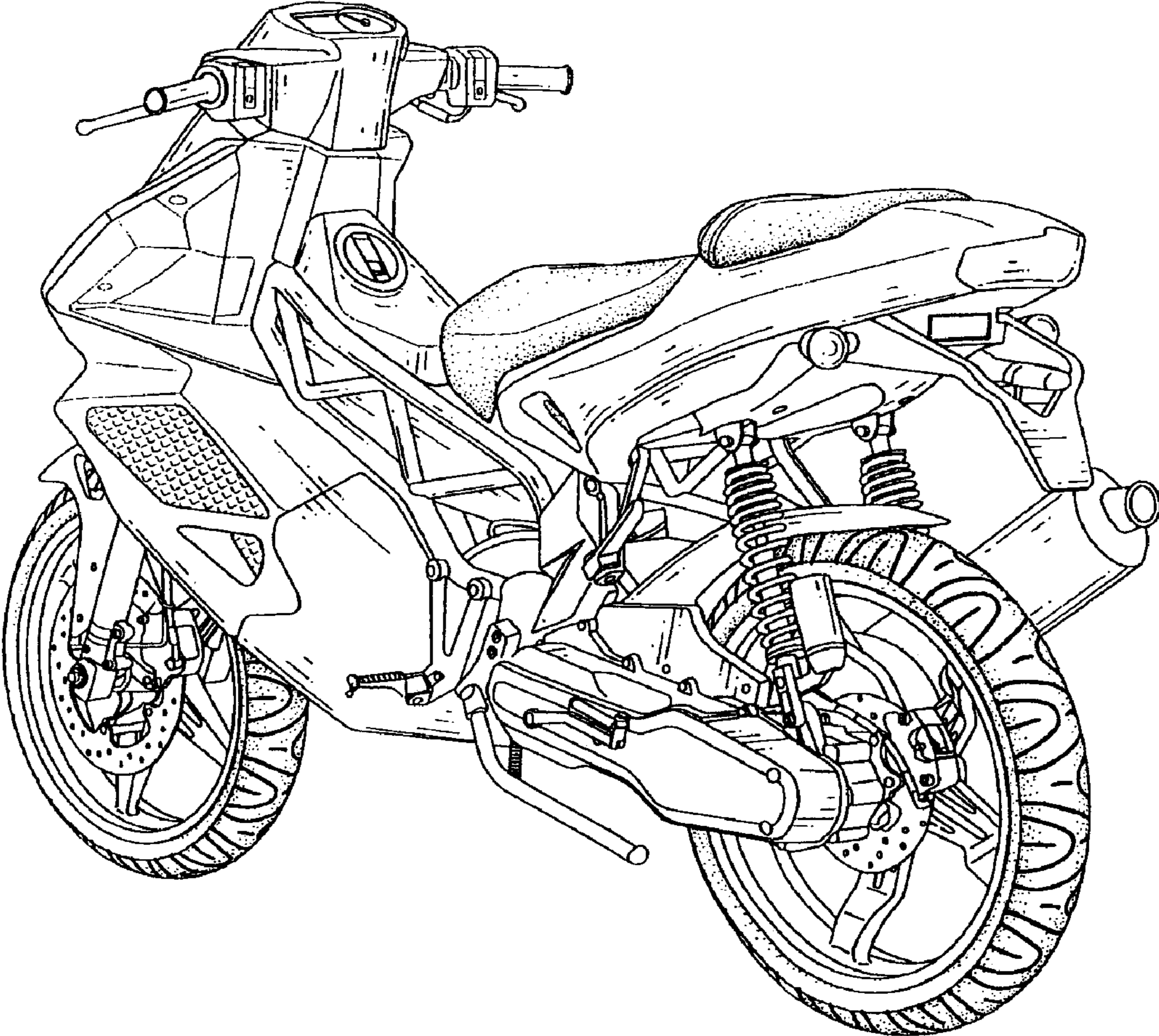


FIG.8