



US00D510057S

(12) **United States Design Patent**
Van Buuren

(10) **Patent No.:** **US D510,057 S**
(45) **Date of Patent:** **** Sep. 27, 2005**

(54) **TRAILER BASE FOR TOWED VEHICLE**

(75) **Inventor:** **Darren Van Buuren, Smithville (CA)**

(73) **Assignee:** **Agri-Plastic Mfg., Grassie (CA)**

(**) **Term:** **14 Years**

(21) **Appl. No.:** **29/190,043**

(22) **Filed:** **Sep. 16, 2003**

(30) **Foreign Application Priority Data**

Apr. 9, 2003 (CA) 102716

(51) **LOC (8) Cl.** **12-10**

(52) **U.S. Cl.** **D12/101**

(58) **Field of Search** D12/101, 102;
280/475, 656, 763.1, 482; 296/181, 190

(56) **References Cited**

U.S. PATENT DOCUMENTS

- D358,788 S * 5/1995 Boru et al. D12/101
- D373,335 S * 9/1996 Repke D12/101
- D396,668 S * 8/1998 Ewald D12/101
- D434,701 S * 12/2000 Patmont D12/101
- D437,259 S * 2/2001 Edgeller et al. D12/101

D461,747 S * 8/2002 Martin D12/101

* cited by examiner

Primary Examiner—Melody N. Brown

(74) *Attorney, Agent, or Firm*—Ingrid E. Schmidt

(57) **CLAIM**

The ornamental design for a trailer base for towed vehicle, as shown and described.

DESCRIPTION

FIG. 1 is a front and left side perspective view of a trailer base for towed vehicle as seen from the top showing my new design;

FIG. 2 is a rear and right side perspective view thereof as seen from the bottom;

FIG. 3 is a plan view from the top thereof;

FIG. 4 is a plan view from the bottom thereof;

FIG. 5 is a front elevation view thereof;

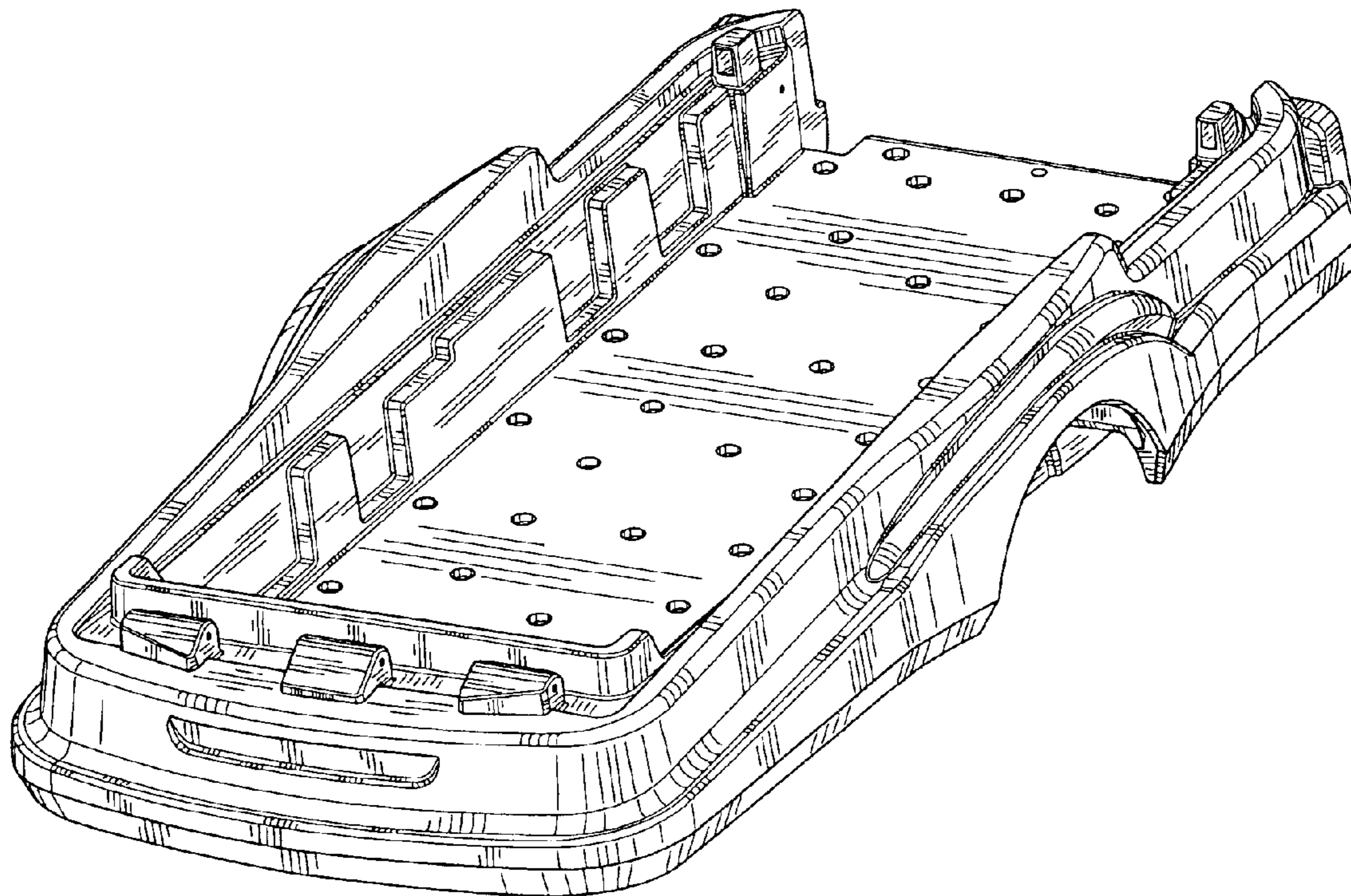
FIG. 6 is a rear elevation view thereof;

FIG. 7 is a right side elevation view thereof;

FIG. 8 is a left side elevation view thereof; and,

FIG. 9 is a perspective view similar to FIG. 1 of the trailer base coupled to a cover and two bars which are drawn in broken lines to indicate surrounding structure which do not form part of the design.

1 Claim, 7 Drawing Sheets



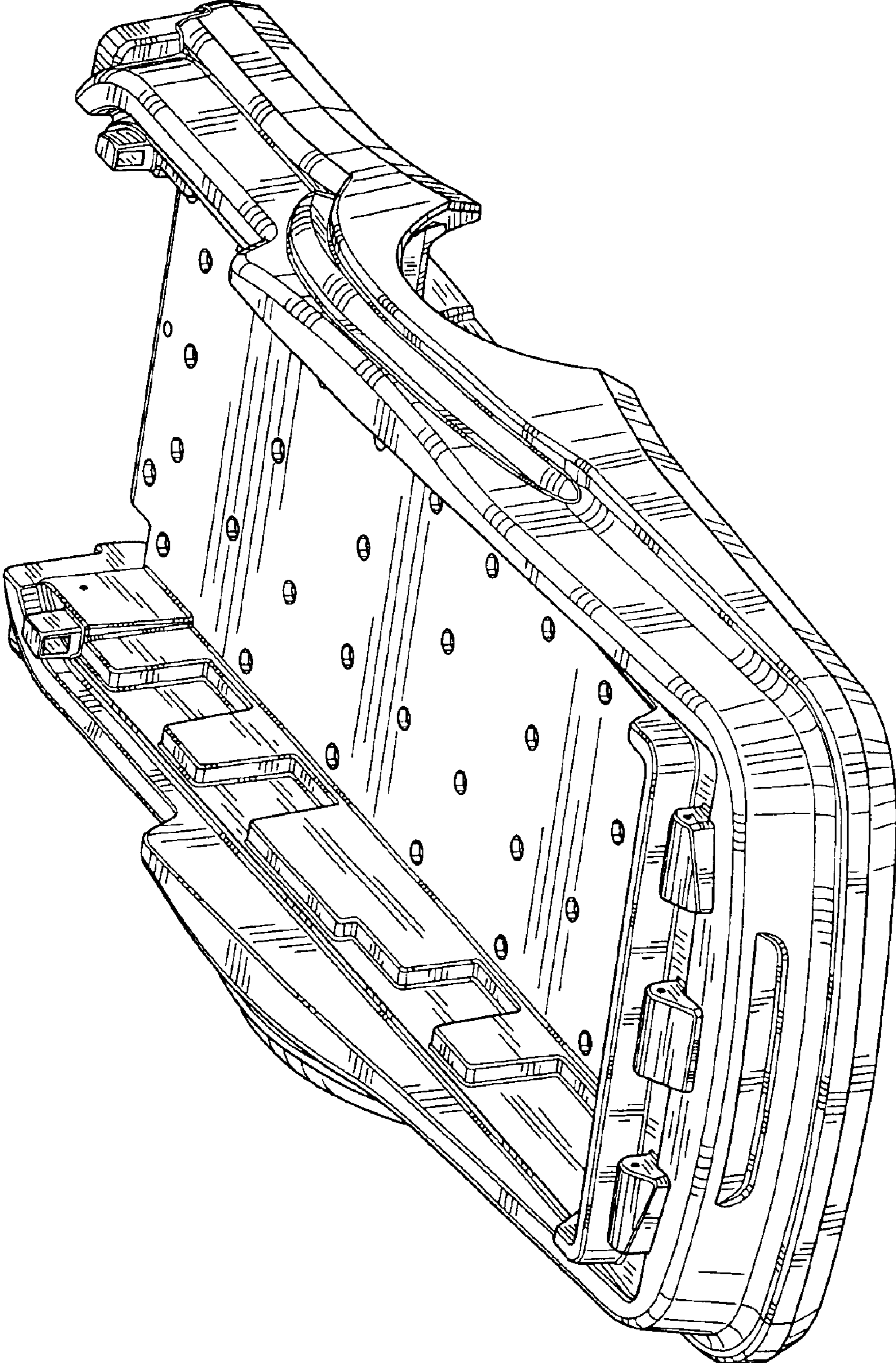


FIG. 1

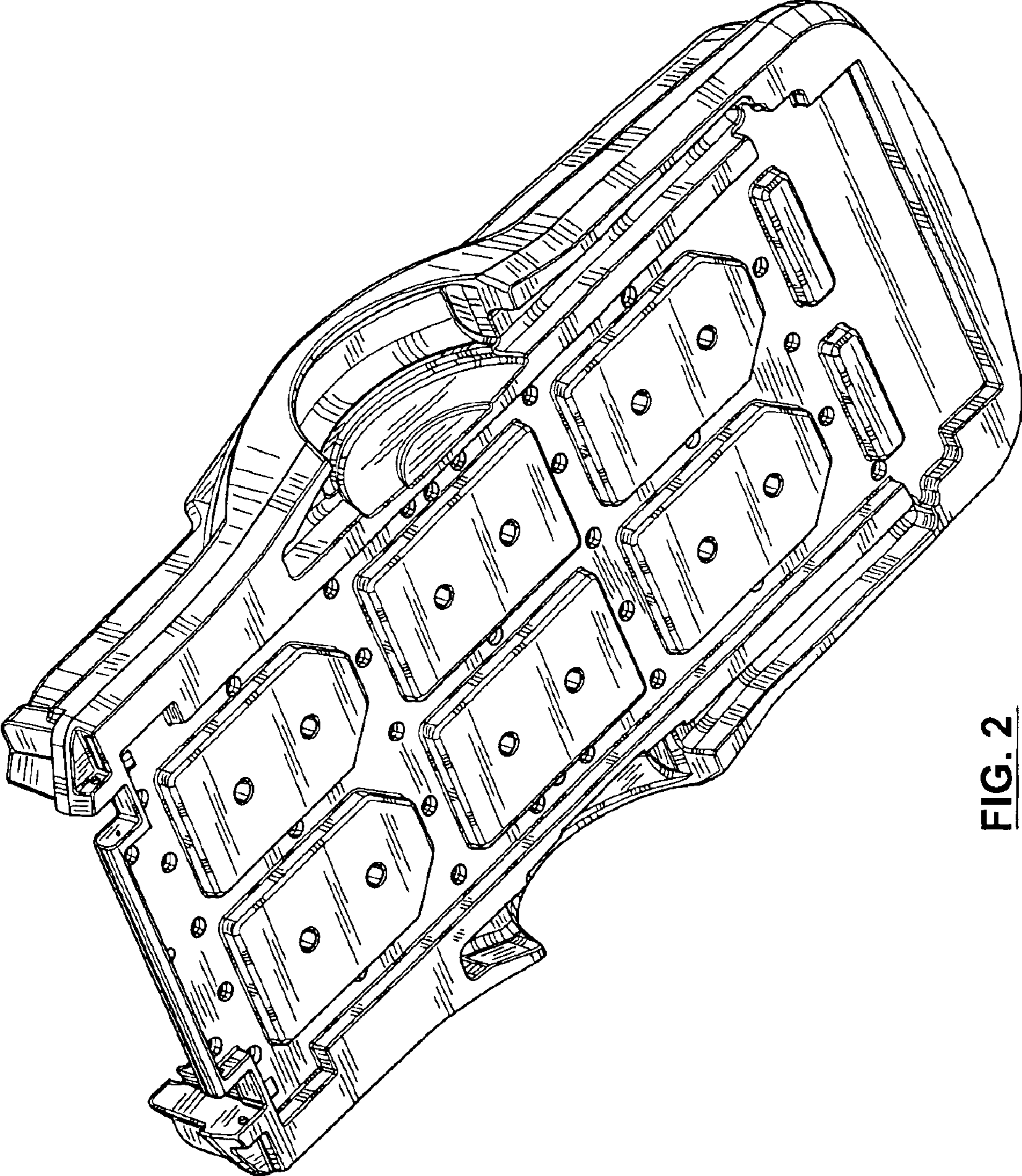


FIG. 2

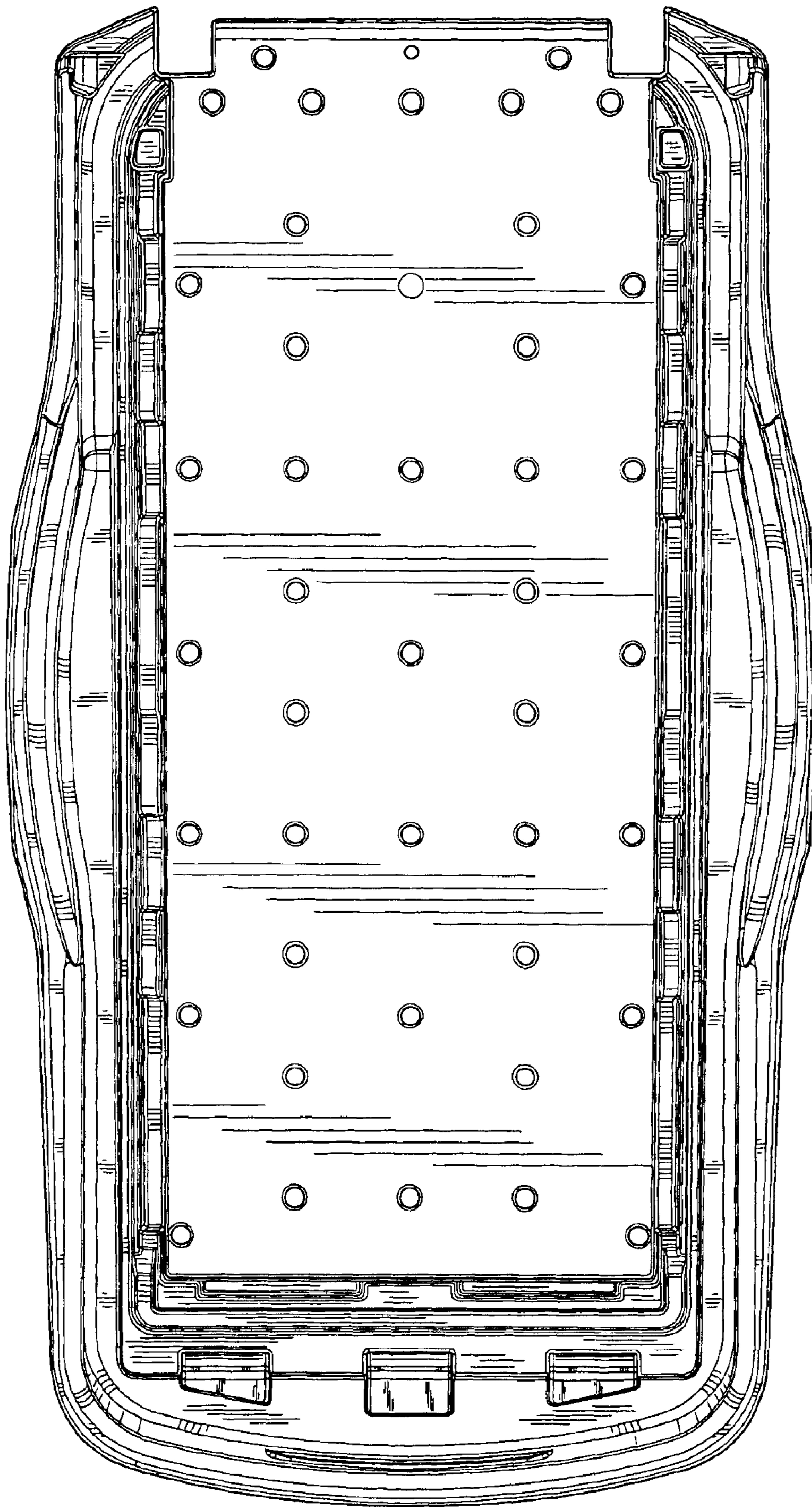


FIG. 3

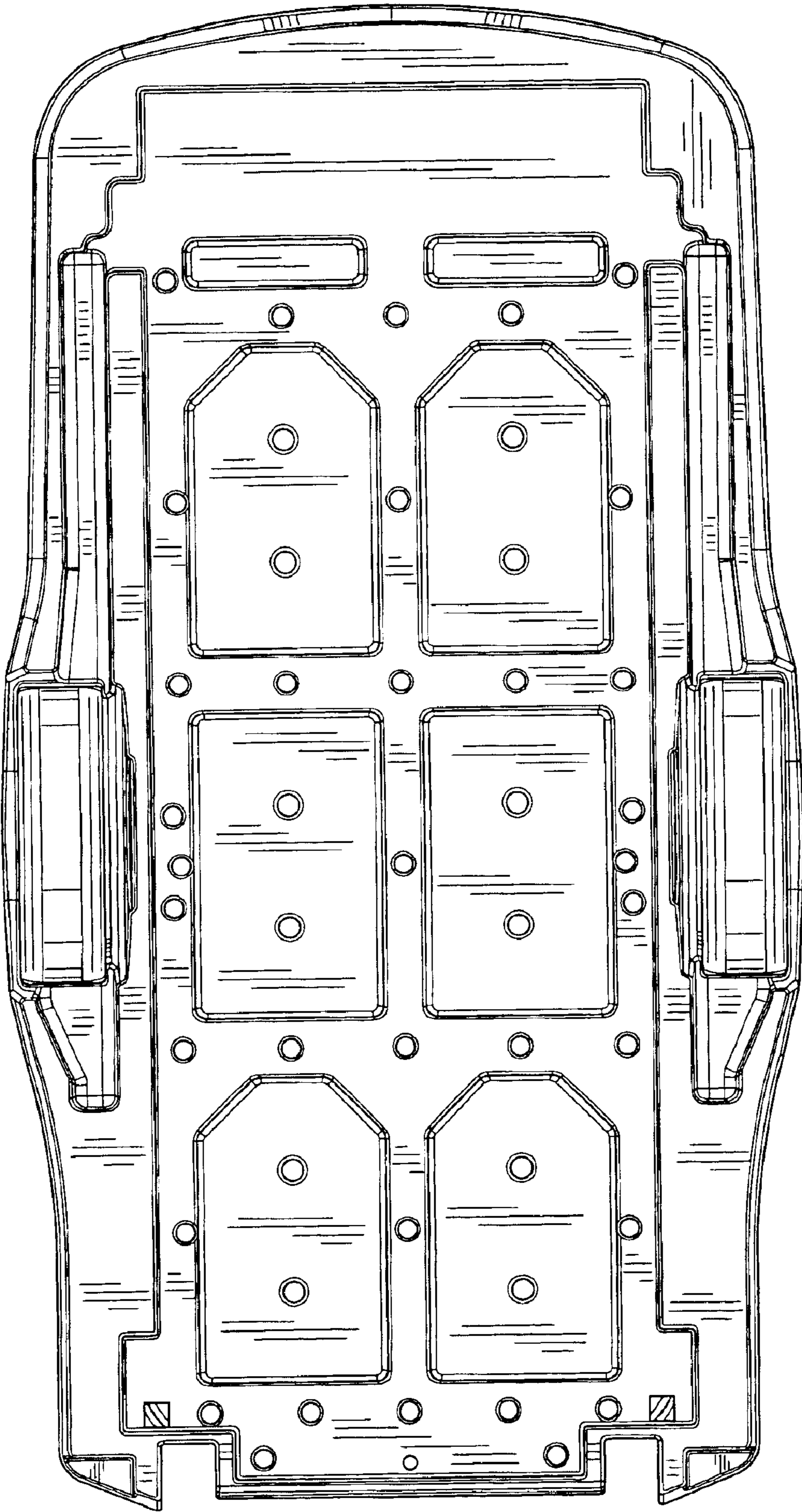


FIG. 4

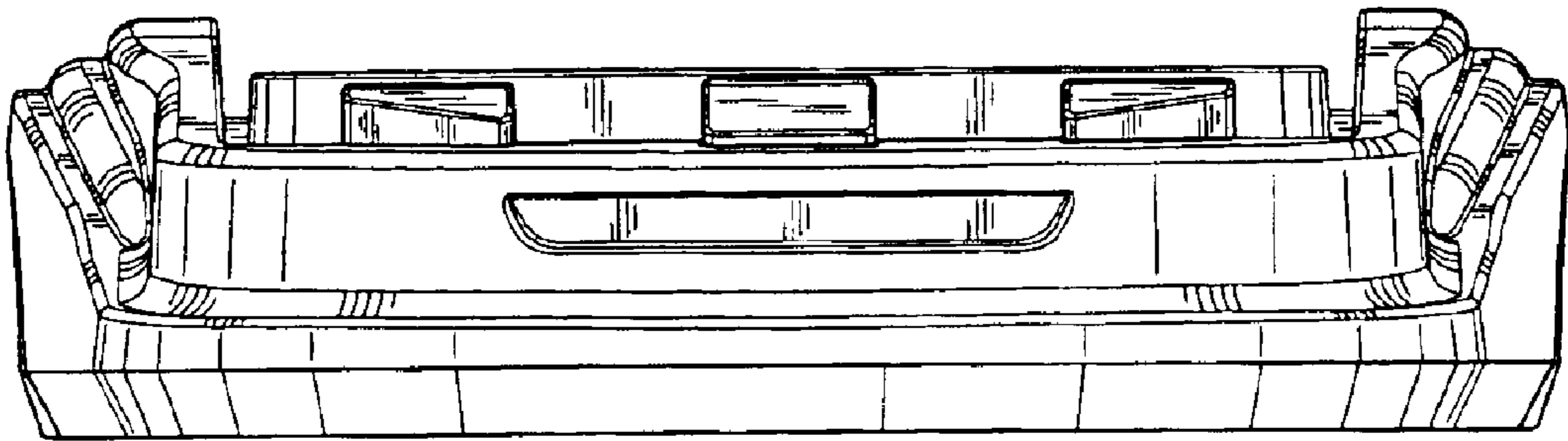


FIG. 5

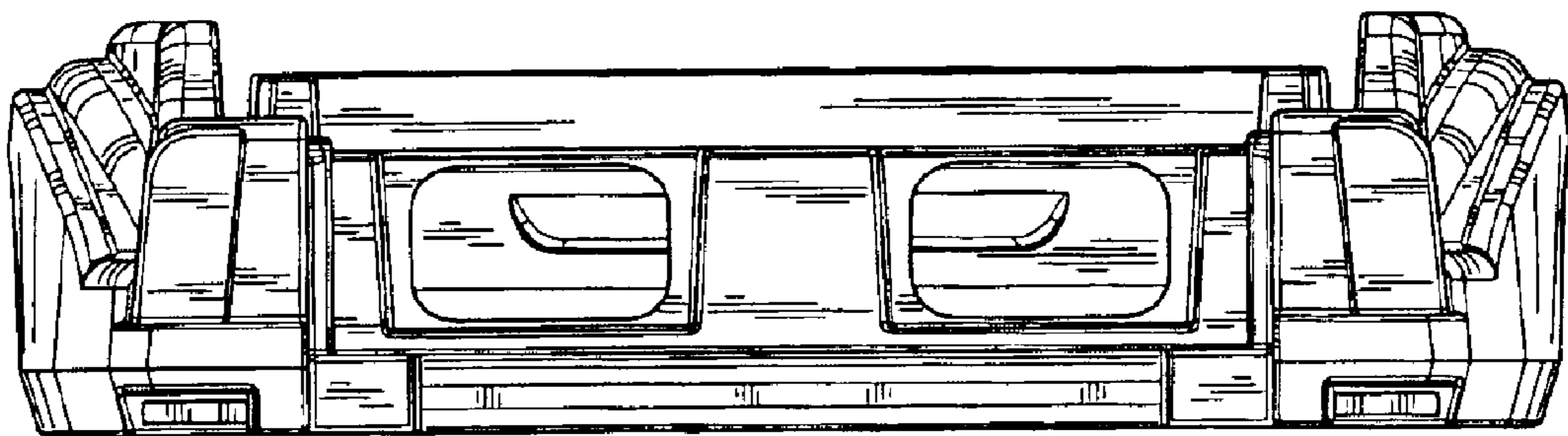


FIG. 6

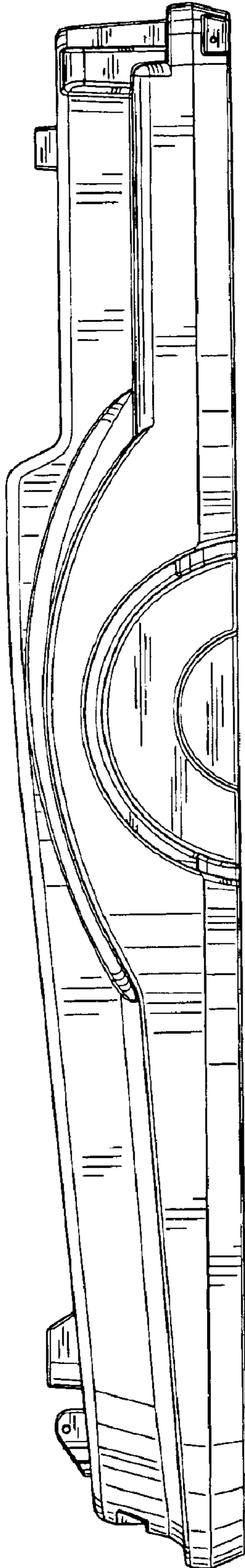


FIG. 7

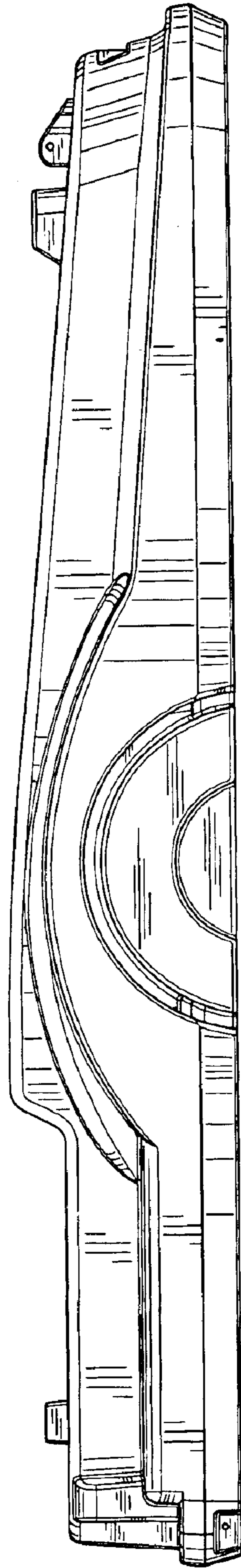


FIG. 8

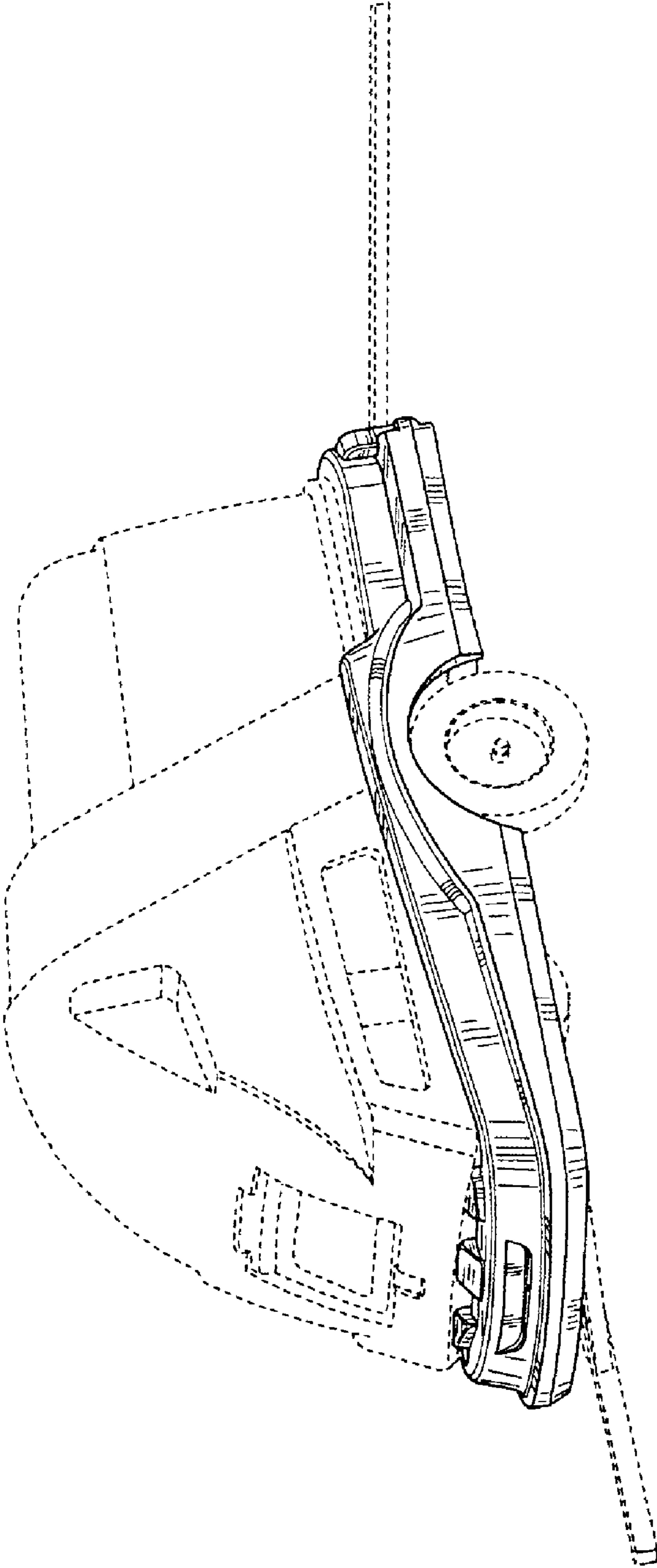


FIG. 9