



US00D510054S

(12) **United States Design Patent**
Metzger

(10) **Patent No.:** **US D510,054 S**
(45) **Date of Patent:** **** Sep. 27, 2005**

- (54) **ZIPPER SLIDE**
- (75) Inventor: **Andrew T. Metzger**, Belle Plaine, KS (US)
- (73) Assignee: **The Coleman Company, Inc.**, Wichita, KS (US)
- (**) Term: **14 Years**
- (21) Appl. No.: **29/203,288**
- (22) Filed: **Apr. 13, 2004**
- (51) **LOC (8) Cl.** **02-07**
- (52) **U.S. Cl.** **D11/221**
- (58) **Field of Search** D11/200, 201, D11/221; 24/415-417, 419, 421, 427-431, 381-382, 385, 387, 433; 384/64

- 3,604,070 A 9/1971 Vorsteher
- 3,822,443 A 7/1974 Yoshida
- 3,857,125 A 12/1974 Hunt
- 3,959,834 A 6/1976 Hunt
- 4,023,244 A 5/1977 Doguchi et al.
- D245,046 S 7/1977 Weikal
- 4,121,326 A 10/1978 Kamiya
- 4,238,871 A 12/1980 Cannon
- 4,261,082 A 4/1981 Kamiya
- 4,819,308 A 4/1989 Baroky
- 4,997,222 A 3/1991 Reed
- D325,007 S 3/1992 Komuro
- 5,110,383 A 5/1992 Kramer
- 5,181,299 A 1/1993 Huang
- 5,497,535 A 3/1996 Kloor
- D380,988 S 7/1997 Mizuno
- D406,251 S 3/1999 Nakamura
- 6,026,547 A 2/2000 O'Donnell Kiely
- D446,164 S 8/2001 Yoneoka
- 6,490,770 B1 12/2002 Matsuda et al.
- 6,510,590 B1 1/2003 Lin
- D471,134 S 3/2003 Yoneoka et al.
- 6,701,584 B2 * 3/2004 Metzger 24/415

(56) **References Cited**
U.S. PATENT DOCUMENTS

- 1,813,227 A 7/1931 Blair
- 2,056,172 A 10/1936 De Vore
- 2,065,250 A 12/1936 Sundback
- D114,269 S 4/1939 Poux
- D118,050 S 12/1939 Lawson
- D125,890 S 3/1941 Holland
- 2,295,976 A 9/1942 Suskowitz et al.
- 2,370,059 A 2/1945 Marinsky
- 2,379,059 A 2/1945 Ashley
- 2,568,163 A 9/1951 Morin
- 2,677,162 A 5/1954 Foltis
- 2,792,611 A 5/1957 Morin
- 2,799,909 A 7/1957 Dellaquila
- 2,807,853 A 10/1957 Chery
- 2,819,505 A 1/1958 Marcellus
- 2,824,352 A 2/1958 Foltis
- 2,840,877 A 7/1958 Foltis
- 2,855,652 A 10/1958 Jones
- 2,866,245 A 11/1958 Elgin
- 2,882,578 A 4/1959 Morin
- 2,933,792 A 4/1960 Malmborg
- 3,337,929 A 8/1967 McGahee
- 3,497,926 A 3/1970 Frohlich

* cited by examiner

Primary Examiner—Ralf Seifert
(74) *Attorney, Agent, or Firm*—Leydig, Voit & Mayer, Ltd.

(57) **CLAIM**

The ornamental design for a zipper slide, as shown and described.

DESCRIPTION

FIG. 1 is a perspective view of a zipper slide showing my new design;
FIG. 2 is a front elevational view;
FIG. 3 is a rear elevational view;
FIG. 4 is a right side elevational view;
FIG. 5 is a left side elevational view;
FIG. 6 is a top plan view; and,
FIG. 7 is a bottom plan view.
The broken line showing is for illustrative purposes only and forms no part of the claimed design.

1 Claim, 2 Drawing Sheets

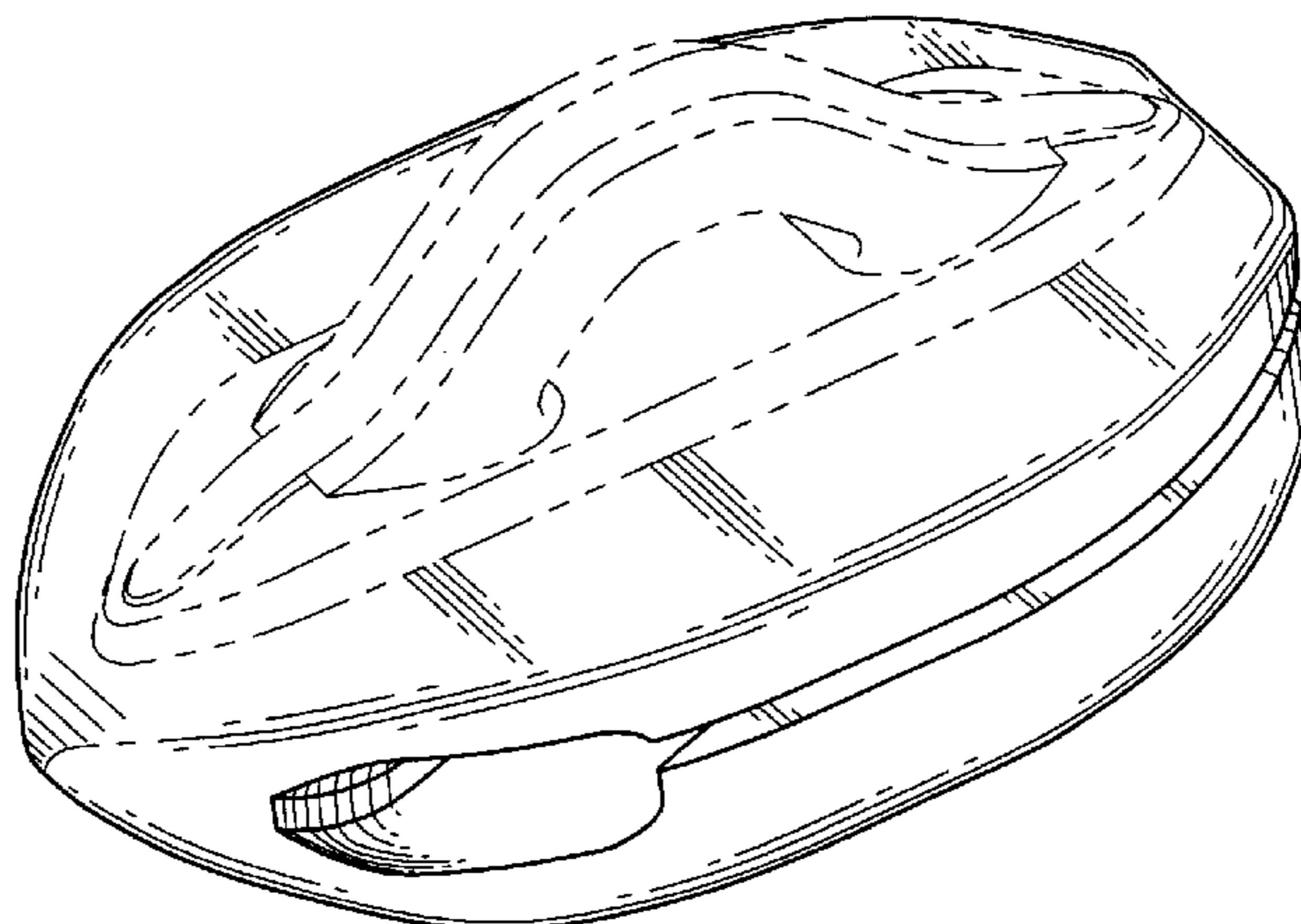


FIG. 1

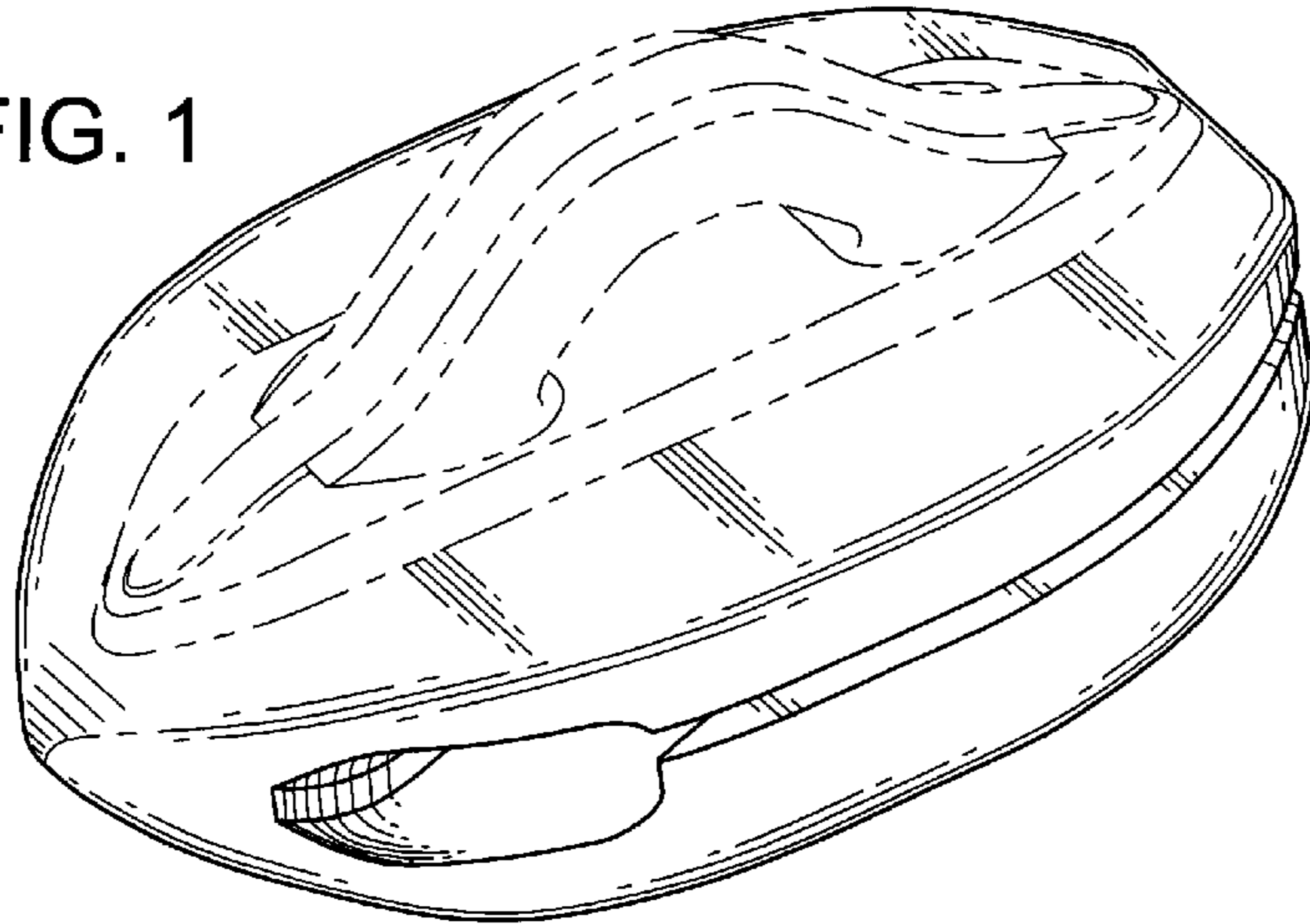


FIG. 2

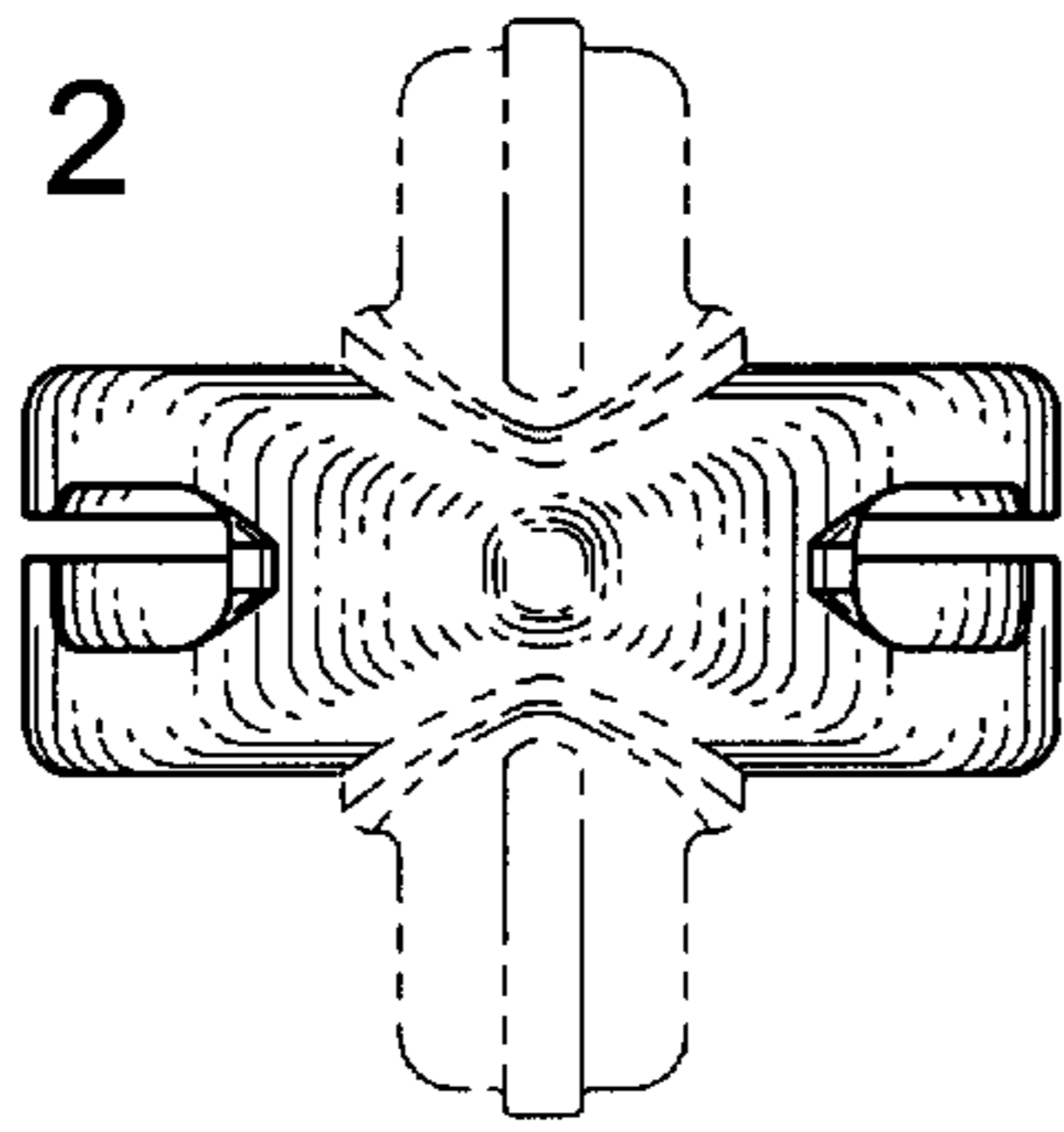


FIG. 3

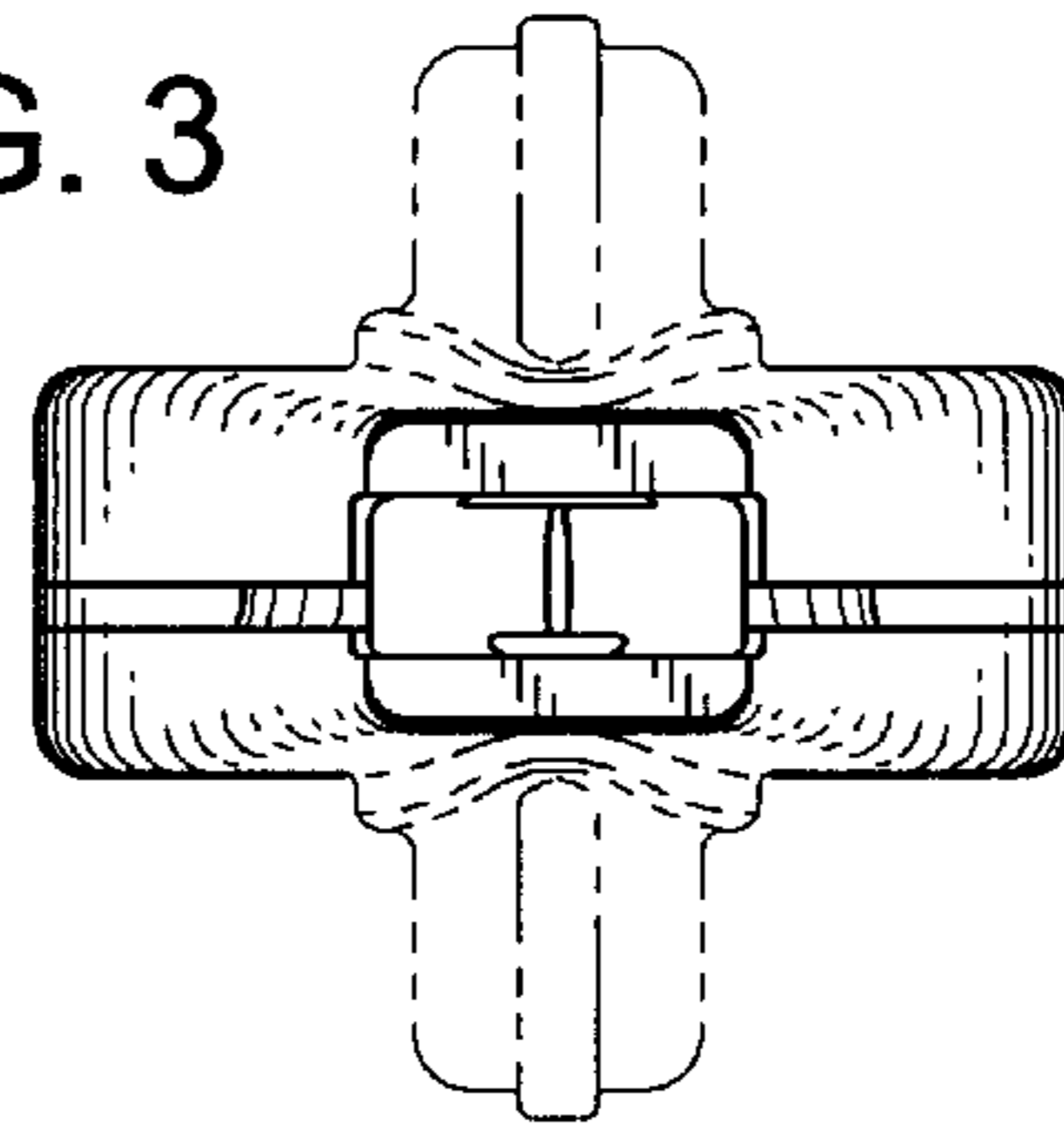


FIG. 4

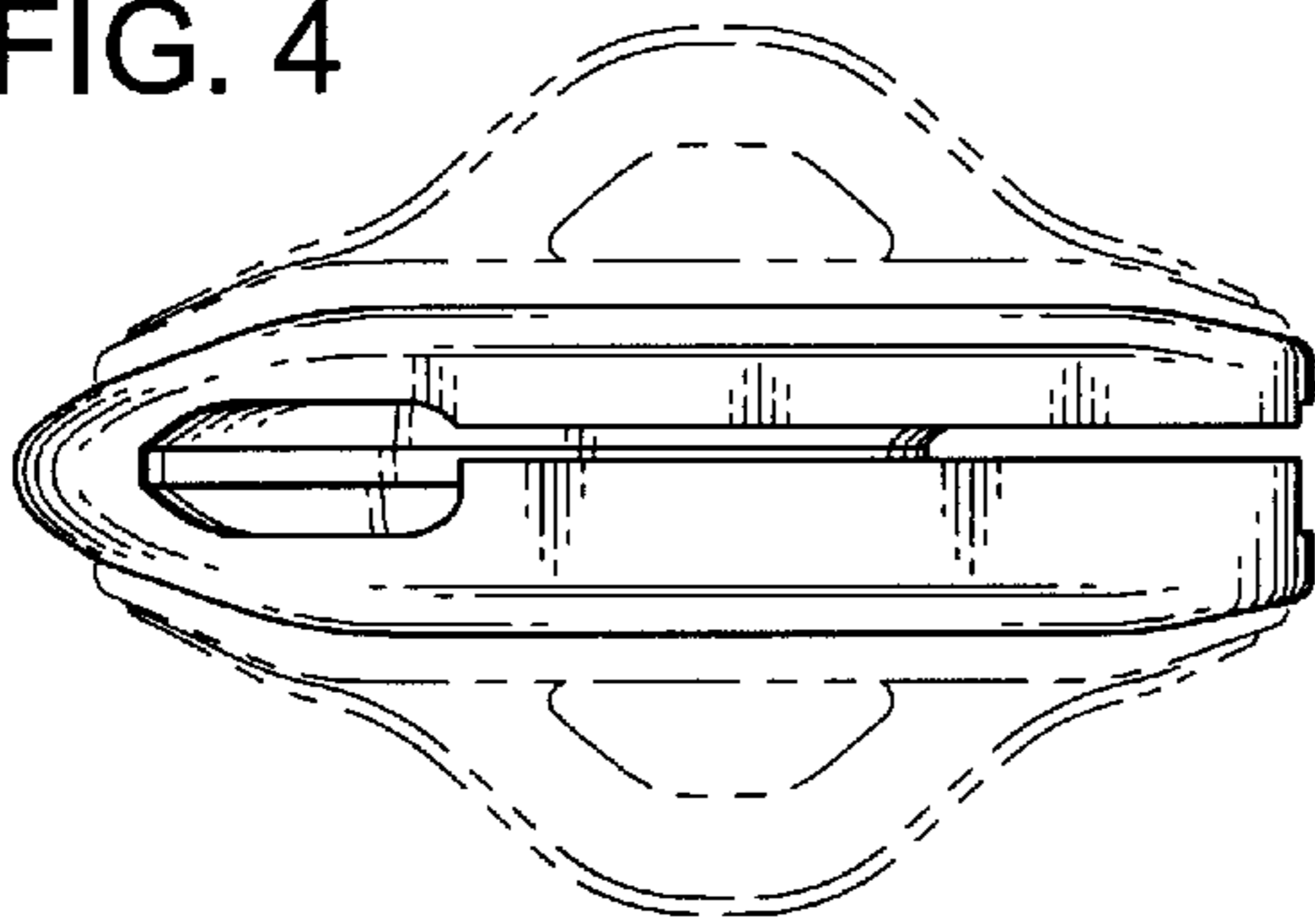


FIG. 5

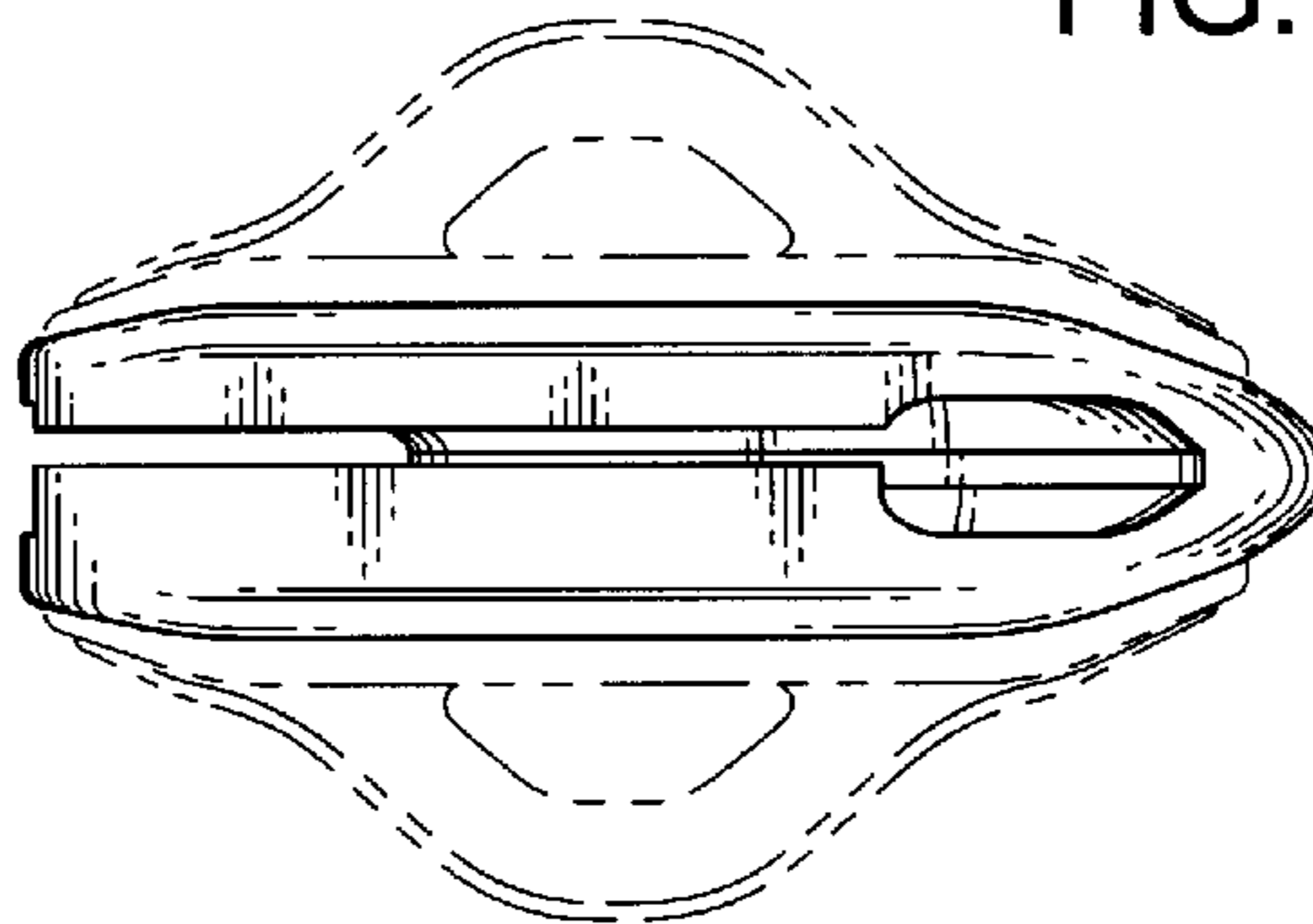


FIG. 6

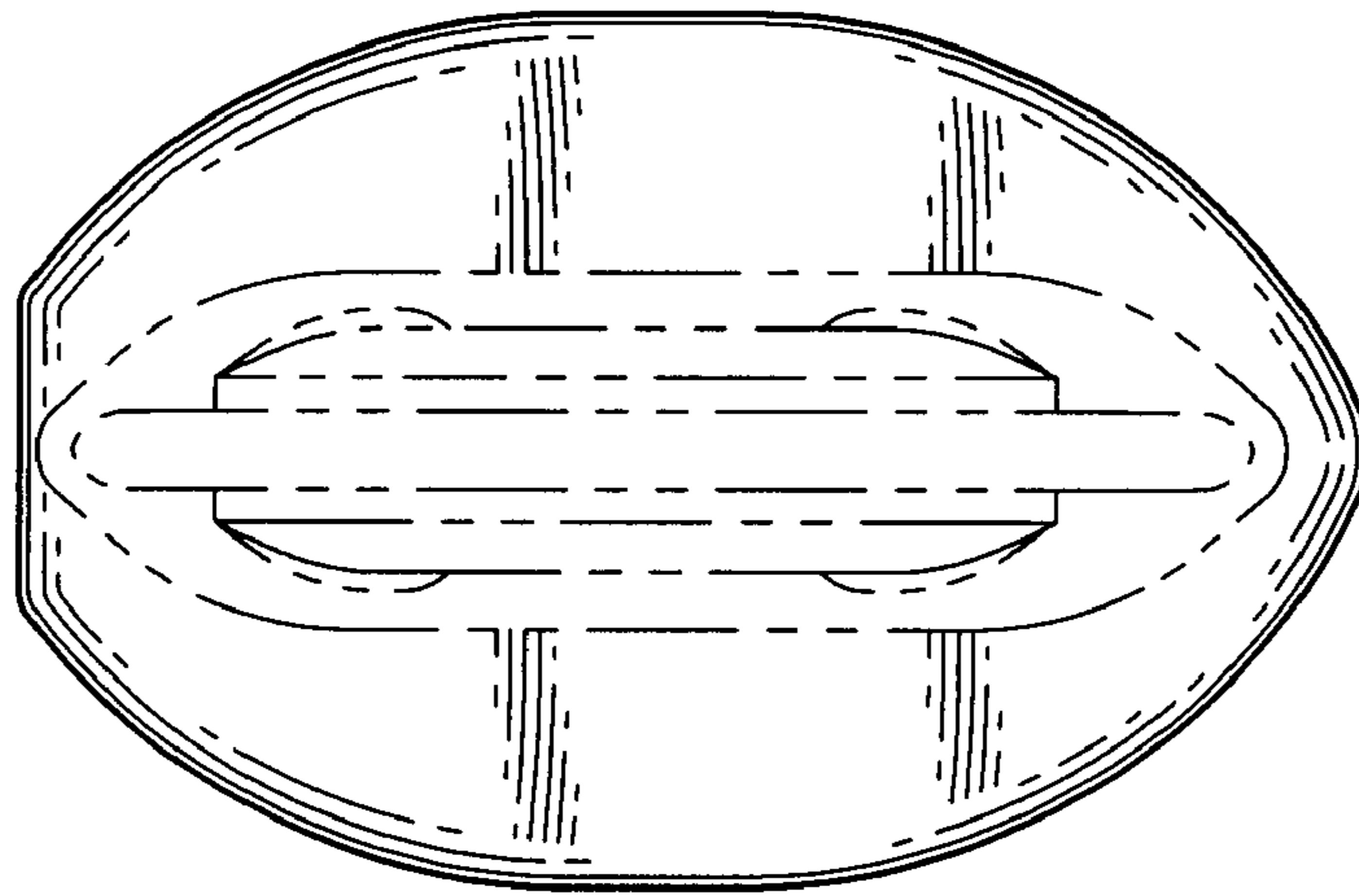


FIG. 7

