



US00D510052S

(12) **United States Design Patent**  
**Harbaugh**

(10) **Patent No.:** **US D510,052 S**

(45) **Date of Patent:** **\*\* Sep. 27, 2005**

(54) **DECORATIVE PLANTER WITH ROPE HANDLES**

(75) **Inventor:** **Kenneth A. Harbaugh**, Douglasville, GA (US)

(73) **Assignee:** **Southern Sales & Marketing Group, Inc.**, Atlanta, GA (US)

(\*\*) **Term:** **14 Years**

(21) **Appl. No.:** **29/208,204**

(22) **Filed:** **Jun. 24, 2004**

(51) **LOC (8) Cl.** ..... **11-02**

(52) **U.S. Cl.** ..... **D11/152**

(58) **Field of Search** ..... D11/143, 144, D11/145, 146, 147, 148, 149, 150, 151, 152, 153, 154, 155, 156; 47/41.01, 65.5, 65.7, 66.1, 66.6, 72, 73; 206/423

(56) **References Cited**

**U.S. PATENT DOCUMENTS**

- D18,471 S \* 7/1888 Upton ..... D11/148
- 2,075,186 A \* 3/1937 Ellis ..... 47/65.7
- D223,464 S \* 4/1972 Tisset ..... D11/143

- 6,170,144 B1 \* 1/2001 Phillipson ..... 29/453
- D445,414 S \* 7/2001 Powers, Jr. .... D14/207
- D479,483 S \* 9/2003 Harbaugh ..... D11/151
- D490,017 S \* 5/2004 Harbaugh ..... D11/152

\* cited by examiner

*Primary Examiner*—Jeffrey Asch  
*Assistant Examiner*—Elizabeth Albert

(74) *Attorney, Agent, or Firm*—Kilpatrick Stockton LLP

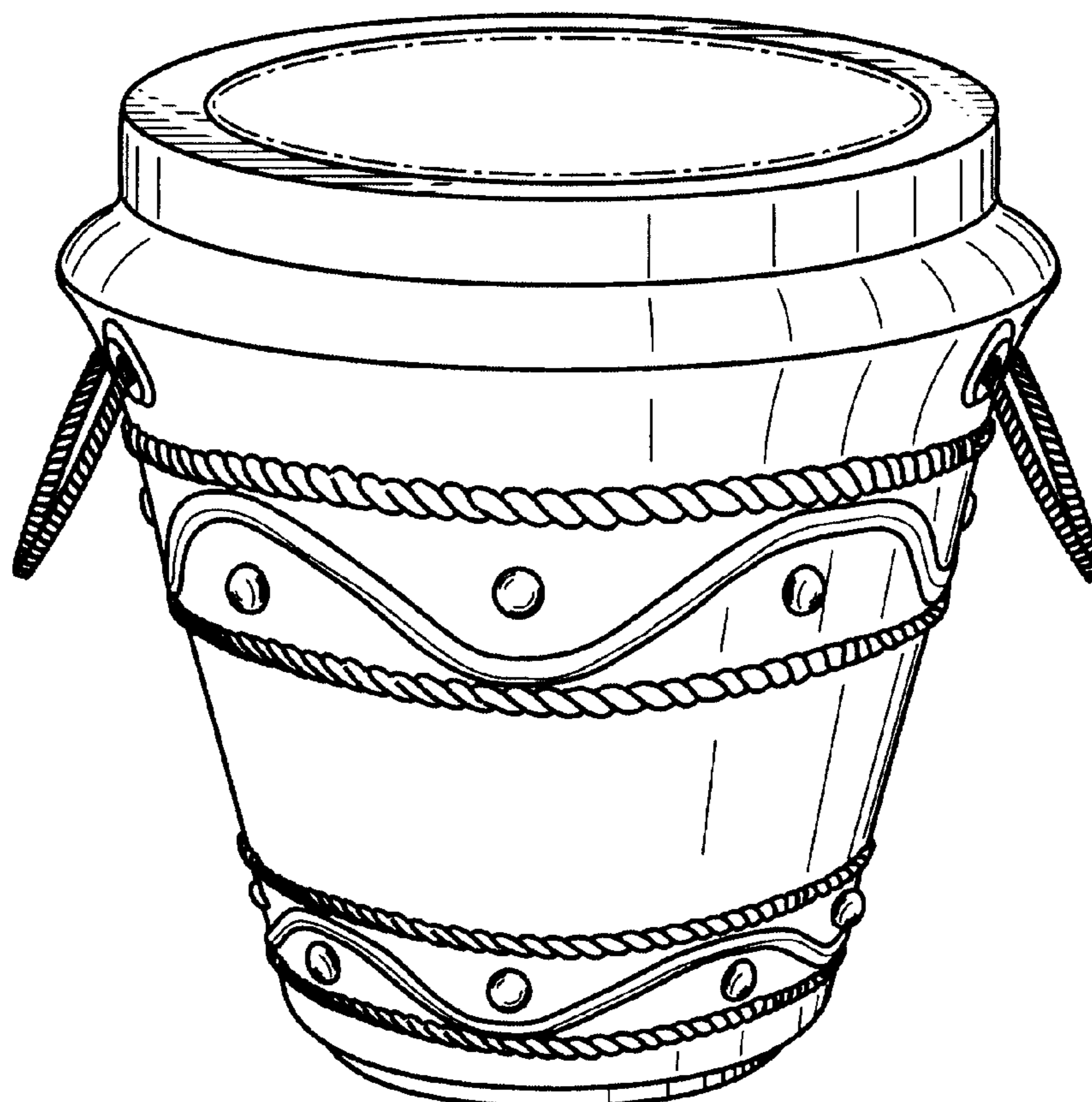
(57) **CLAIM**

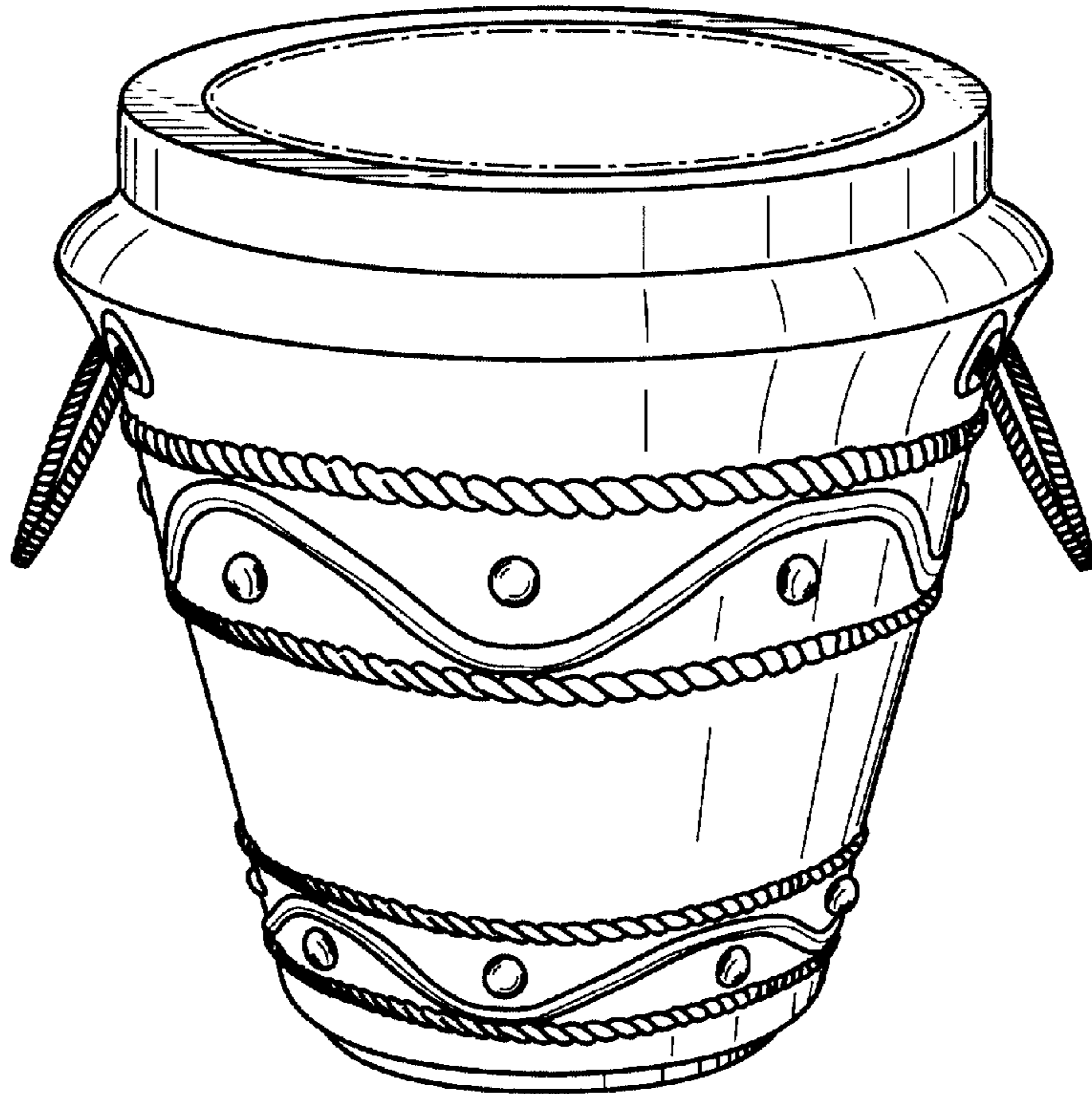
The ornamental design for a decorative planter with rope handles, as shown and described.

**DESCRIPTION**

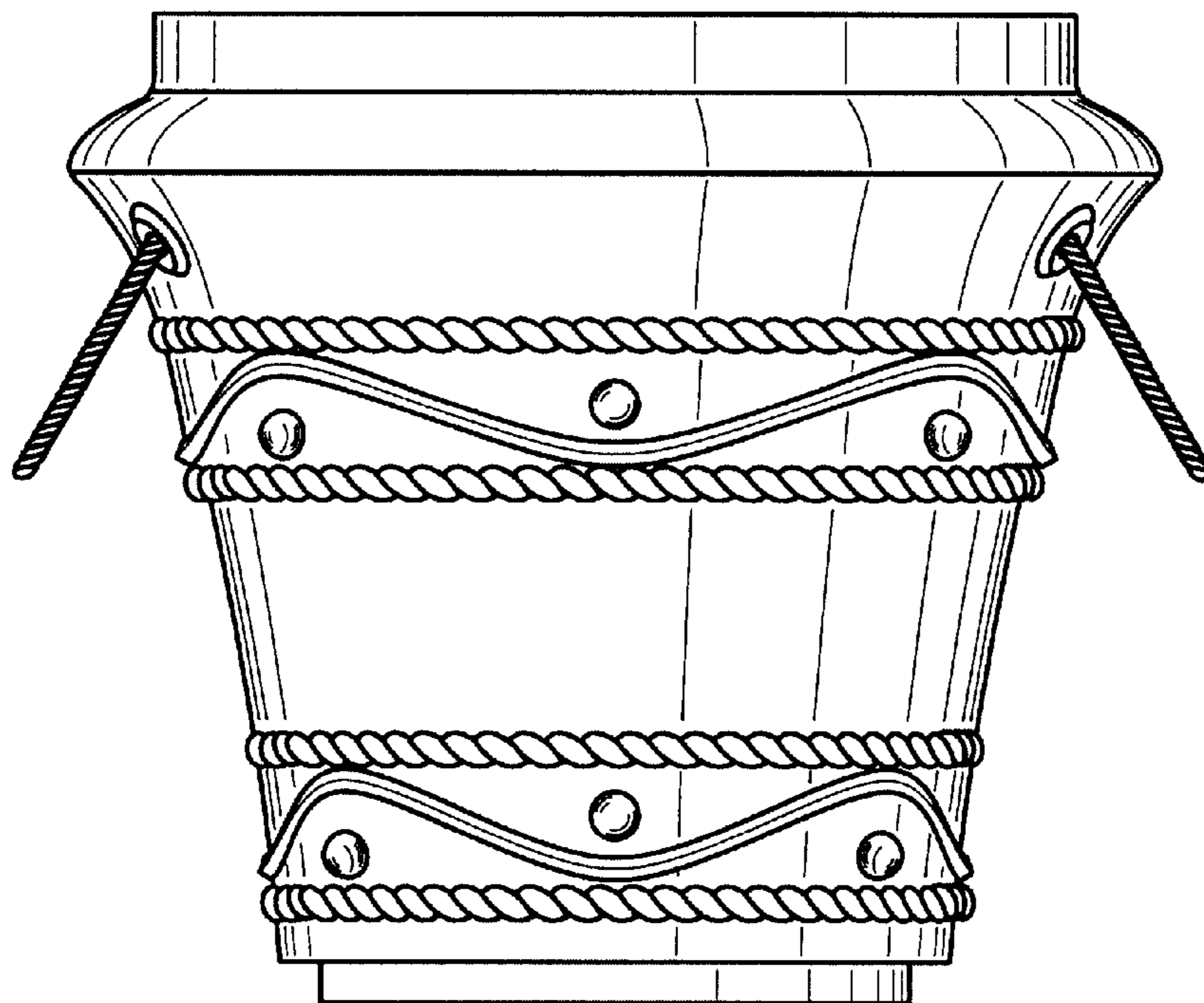
FIG. 1 is a perspective view showing the decorative planter with rope handles;  
FIG. 2 is a front view thereof, the rear view being the same;  
FIG. 3 is a right side view thereof, the left side view being the same;  
FIG. 4 is a top view thereof; and,  
FIG. 5 is a bottom view thereof.  
The broken lines shown in the drawing are for informational purposes only and form no part of the claimed design.

**1 Claim, 3 Drawing Sheets**

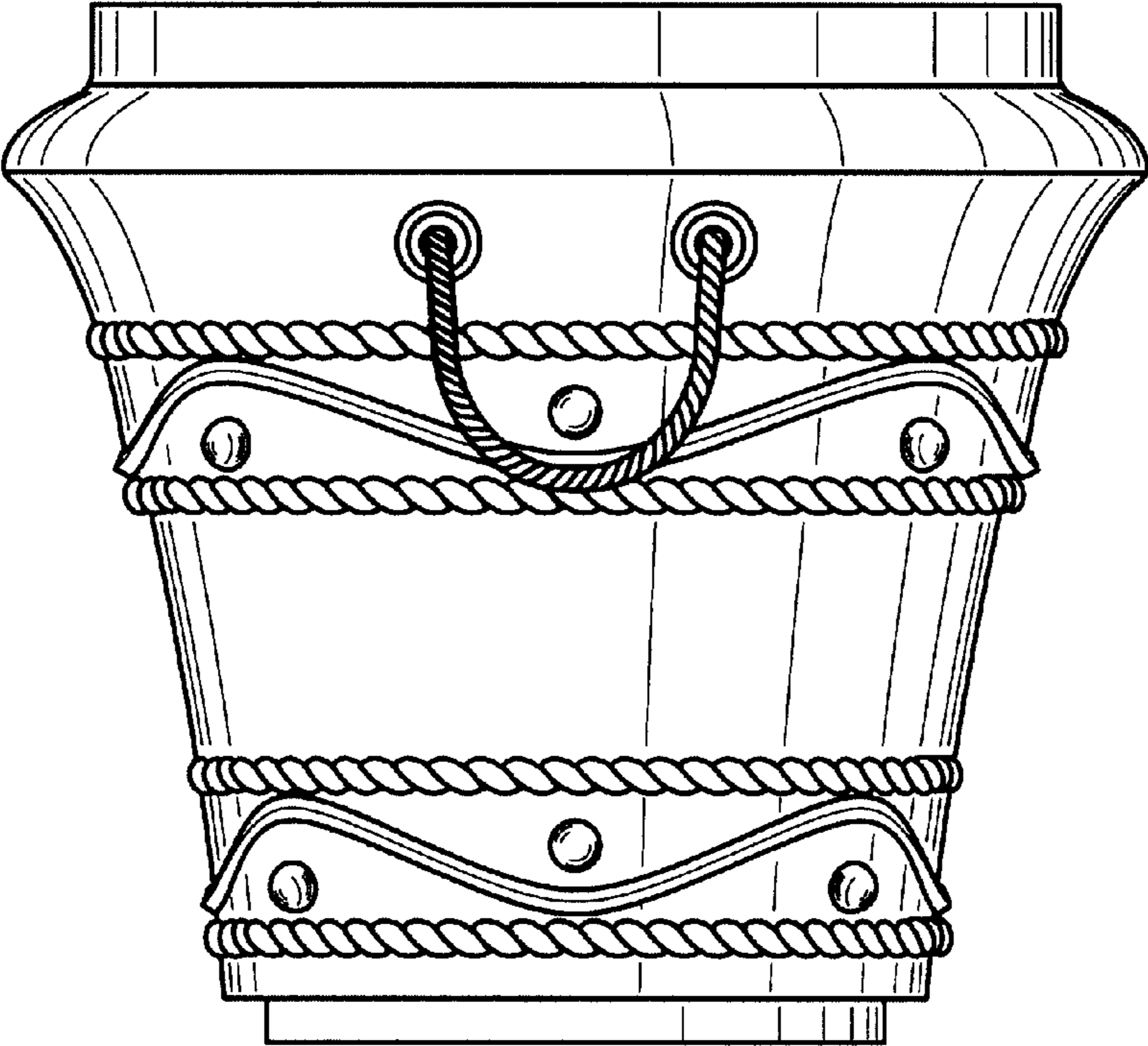




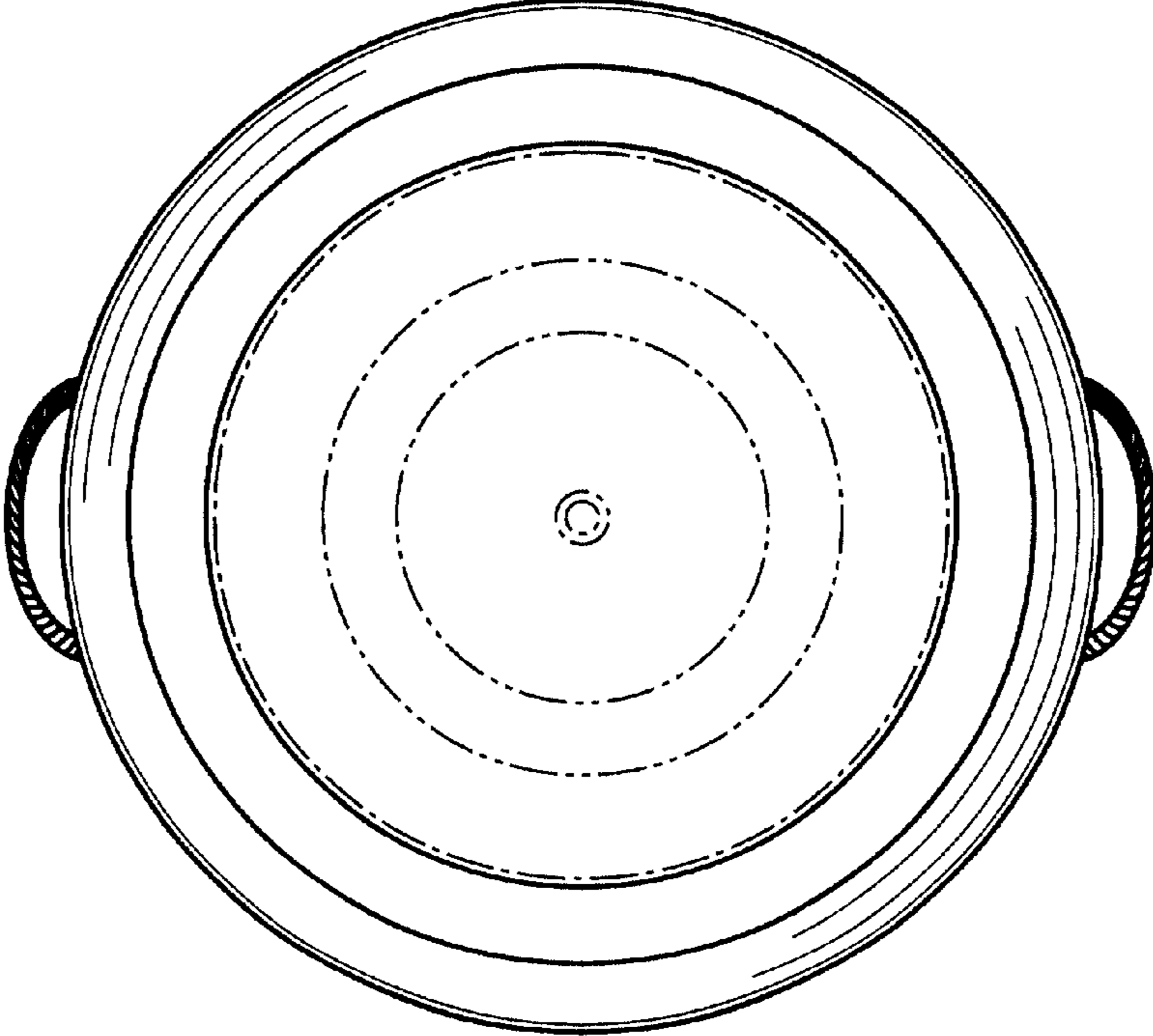
*Fig. 1*



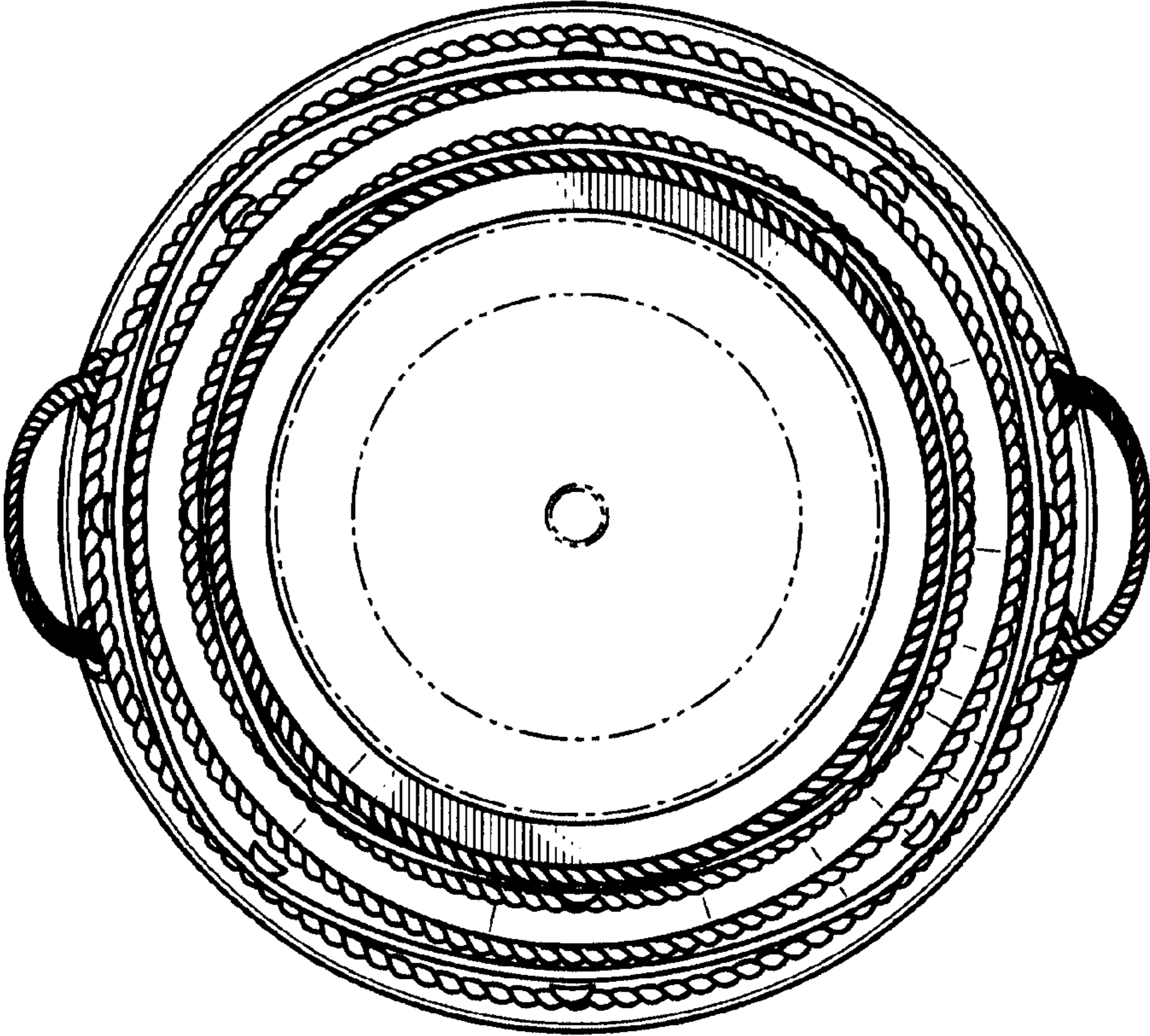
*Fig. 2*



*Fig. 3*



*Fig. 4*



*Fig. 5*