



US00D510048S

(12) **United States Design Patent**
Wright et al.

(10) **Patent No.: US D510,048 S**

(45) **Date of Patent: ** Sep. 27, 2005**

(54) **SAW**

5,720,095 A * 2/1998 Lennartsson 29/509
6,272,960 B1 * 8/2001 Dibbern et al. 83/471.3

(75) **Inventors: Stuart J. Wright**, Timonium, MD (US); **Daniel N. Lopano**, Towson, MD (US); **Gregg L. Sheddy**, Shrewsbury, PA (US); **Peter Chaikowsky**, Bel Air, MD (US); **James D. Schroeder**, Dallastown, PA (US); **Warren A. Ceroll**, Owings Mills, MD (US); **Darren B. Moss**, Cockeysville, MD (US)

* cited by examiner

Primary Examiner—Antoine D. Davis
Assistant Examiner—L. Williams
(74) *Attorney, Agent, or Firm*—Alan Ayala

(73) **Assignee: Black & Decker Inc.**, Newark, DE (US)

(**) **Term: 14 Years**

(21) **Appl. No.: 29/192,203**

(22) **Filed: Oct. 21, 2003**

Related U.S. Application Data

(63) Continuation of application No. 29/170,049, filed on Oct. 30, 2002, now Pat. No. Des. 486,165.

(51) **LOC (8) Cl. 15-09**

(52) **U.S. Cl. D10/133**

(58) **Field of Search** D15/133; 30/377-378, 30/388-391, 517-525; 83/471.2, 471.3, 581, 472, 477.1, 477.2

(56) **References Cited**

U.S. PATENT DOCUMENTS

D372,484 S * 8/1996 Price et al. D15/133

(57) **CLAIM**

The ornamental design for a saw, as shown and described.

DESCRIPTION

FIG. 1 is a front perspective view of a first embodiment of a saw according to the invention, where FIGS. 1A-1B show the saw with a table in retracted and extended positions, respectively.

FIG. 2 is a top plan view of the first embodiment, where FIGS. 2A-2B show the saw with a table in retracted and extended positions, respectively.

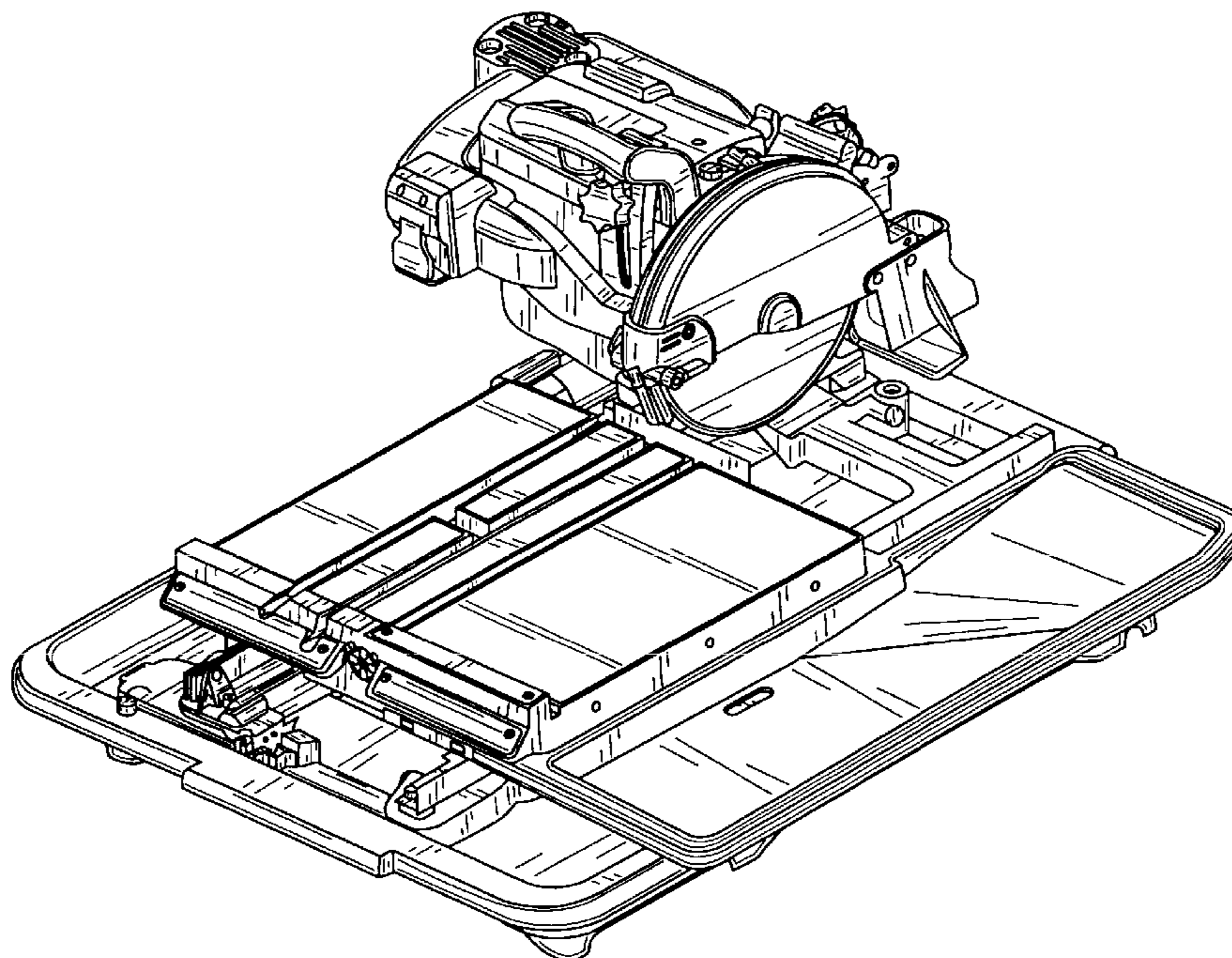
FIG. 3 is a right side elevational view of the first embodiment, where FIGS. 3A-3B show the saw with a table in retracted and extended positions, respectively.

FIG. 4 is a left side elevational view of the first embodiment, where FIGS. 4A-4B show the saw with a table in retracted and extended positions, respectively.

FIG. 5 is a front elevational view of the first embodiment. FIG. 6 is a rear elevational view of the first embodiment; and,

FIG. 7 is a bottom plan view of the first embodiment, where FIGS. 7A-7B show the saw with a table in retracted and extended positions, respectively.

1 Claim, 12 Drawing Sheets



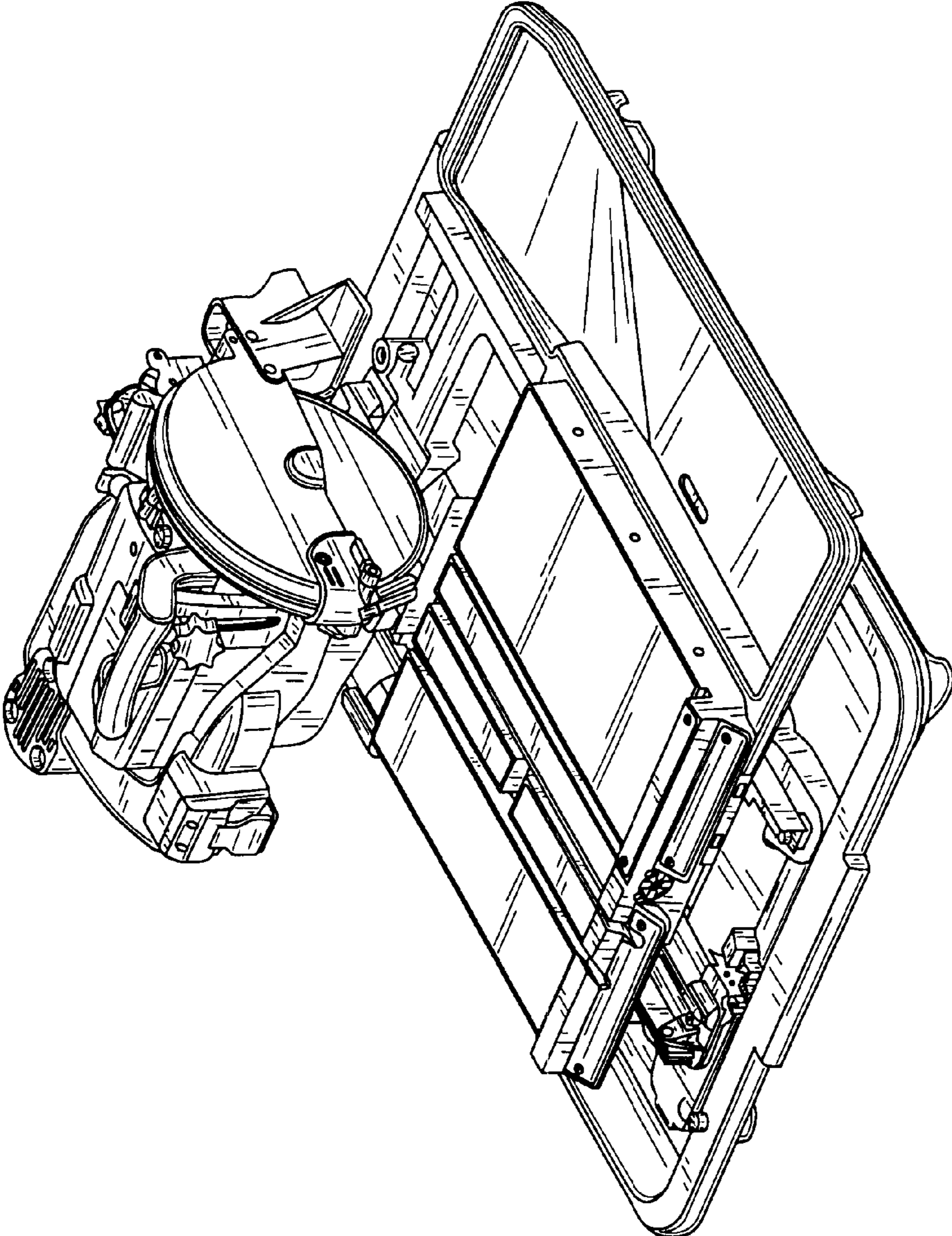


FIG. 1A

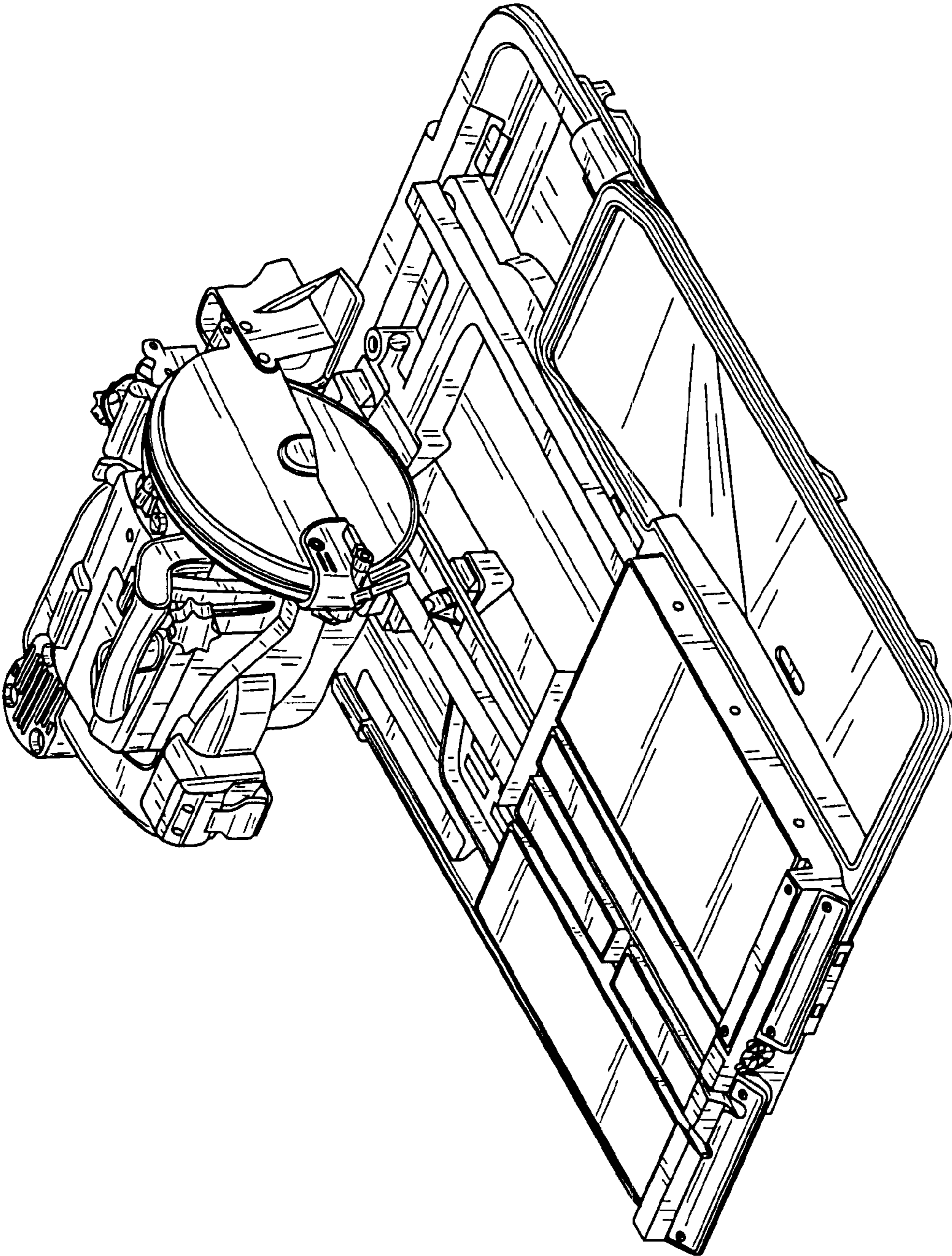


FIG. 1B

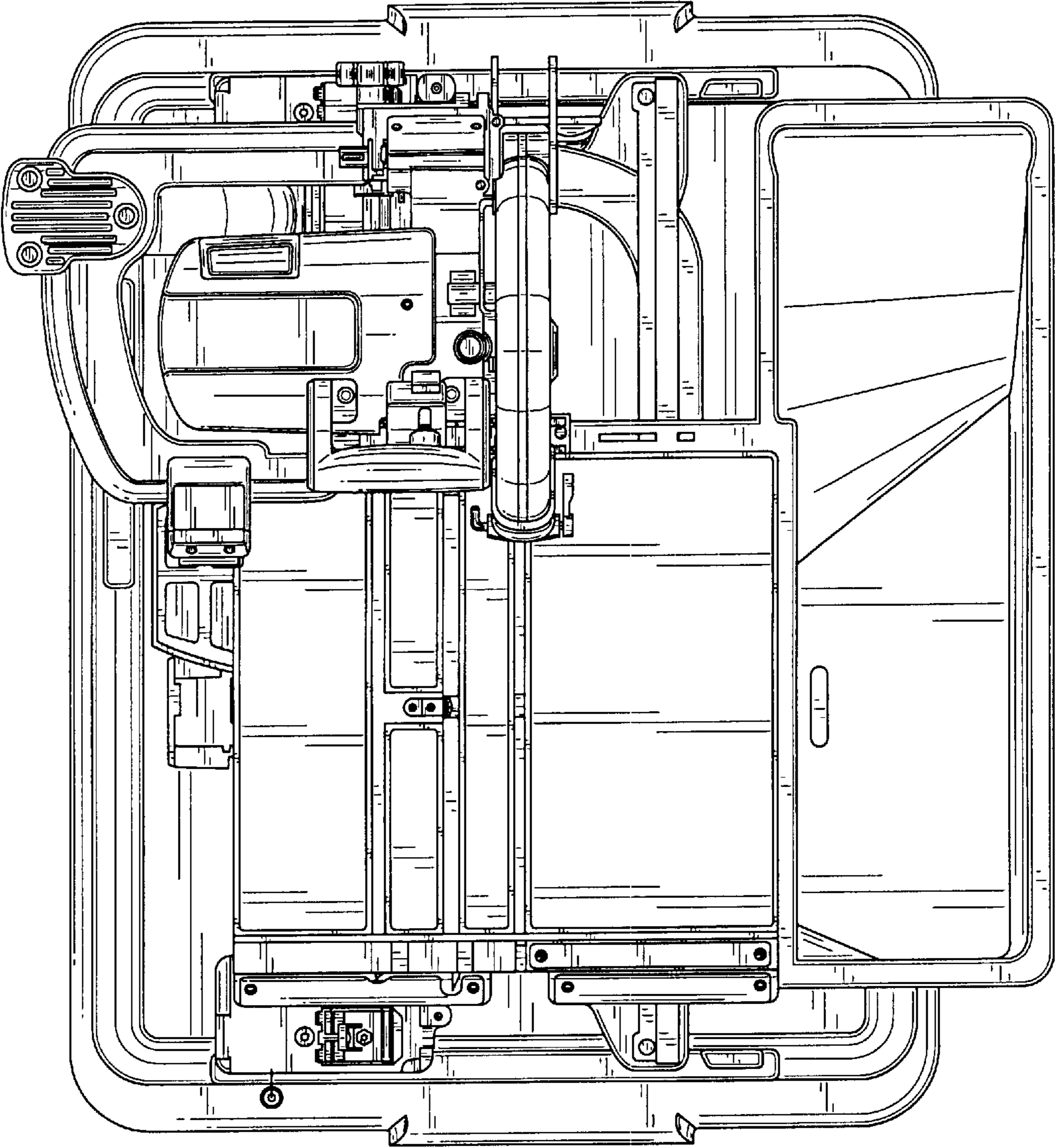


FIG. 2A

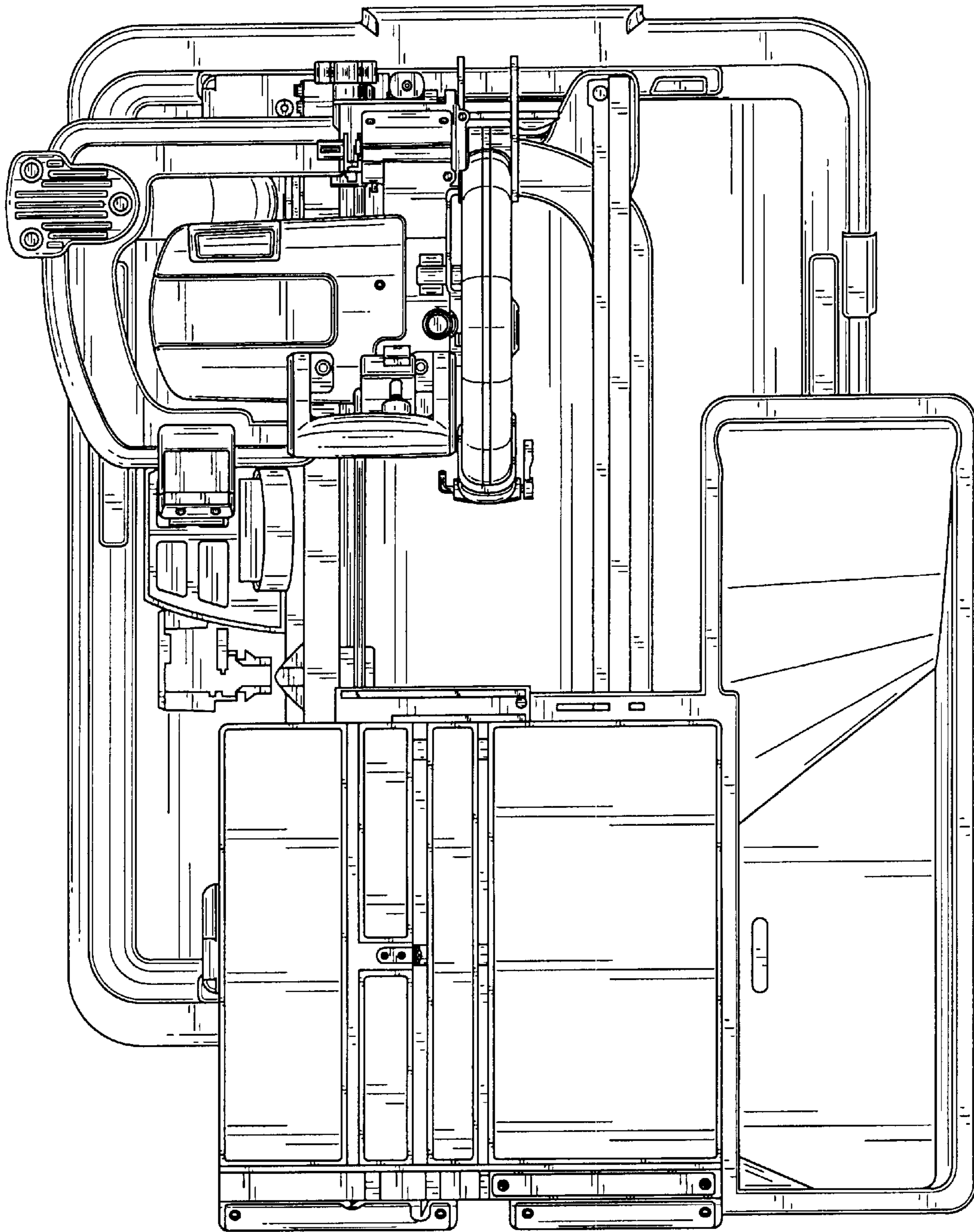


FIG. 2B

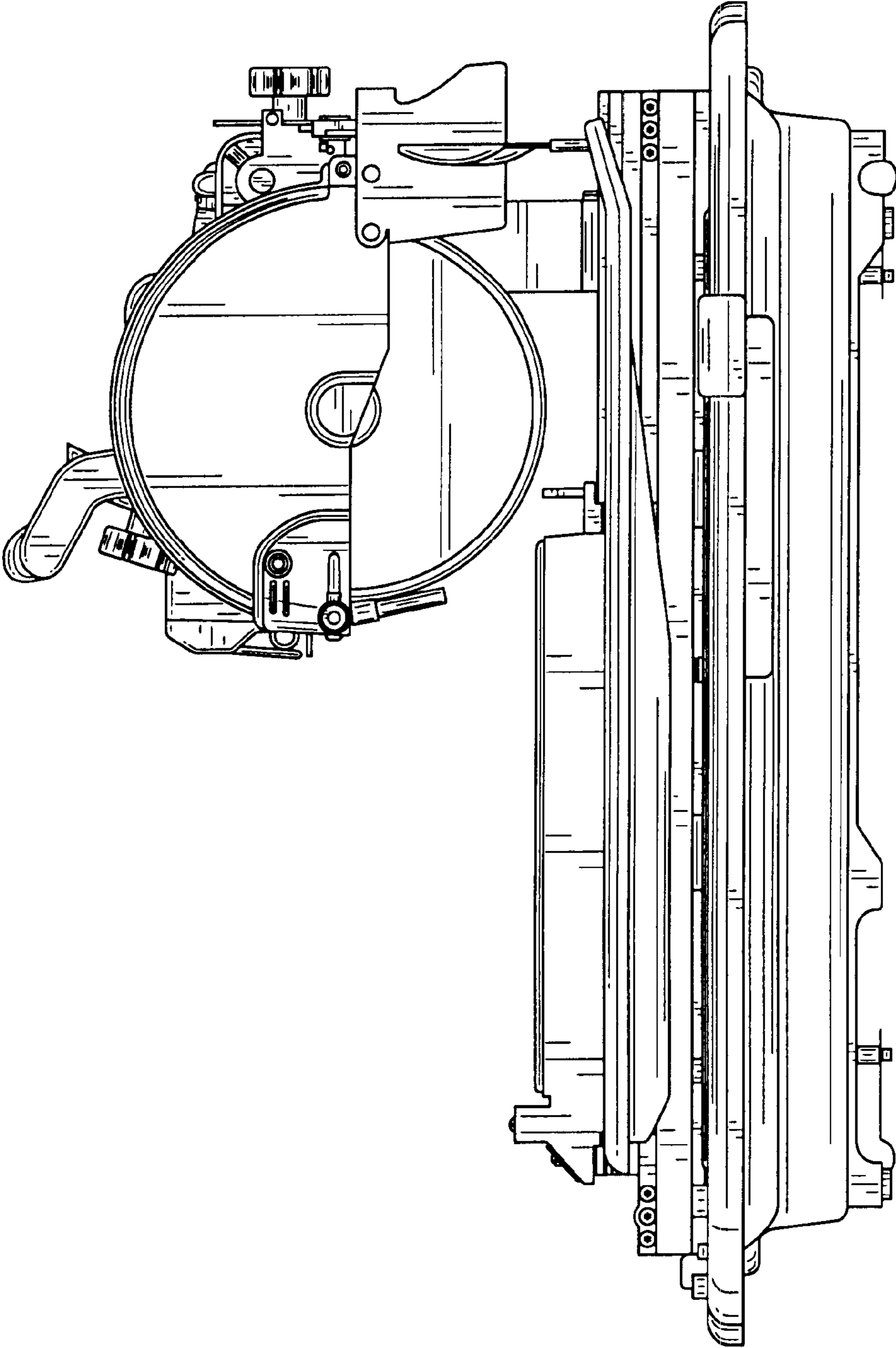


FIG. 3A

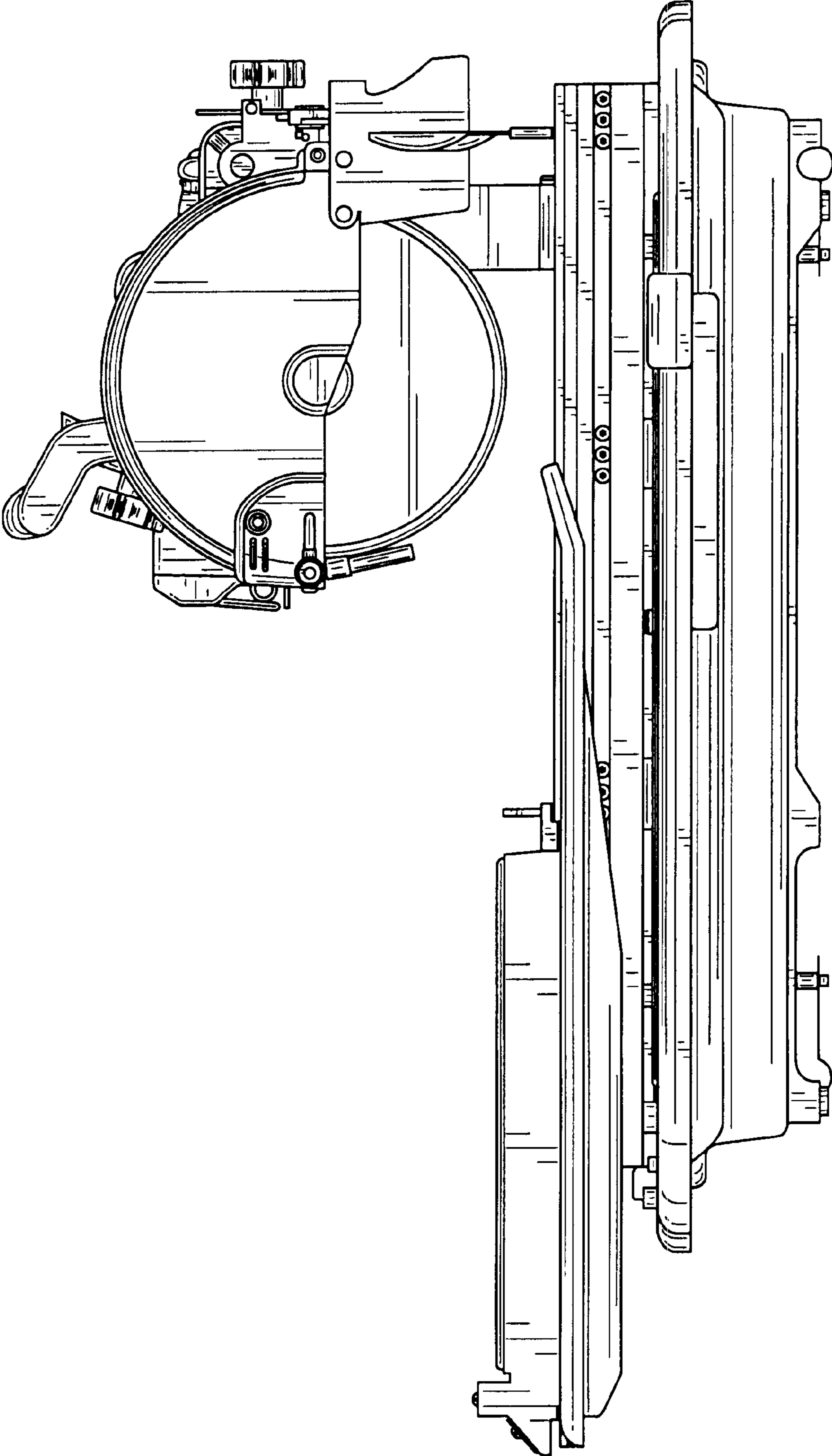


FIG. 3B

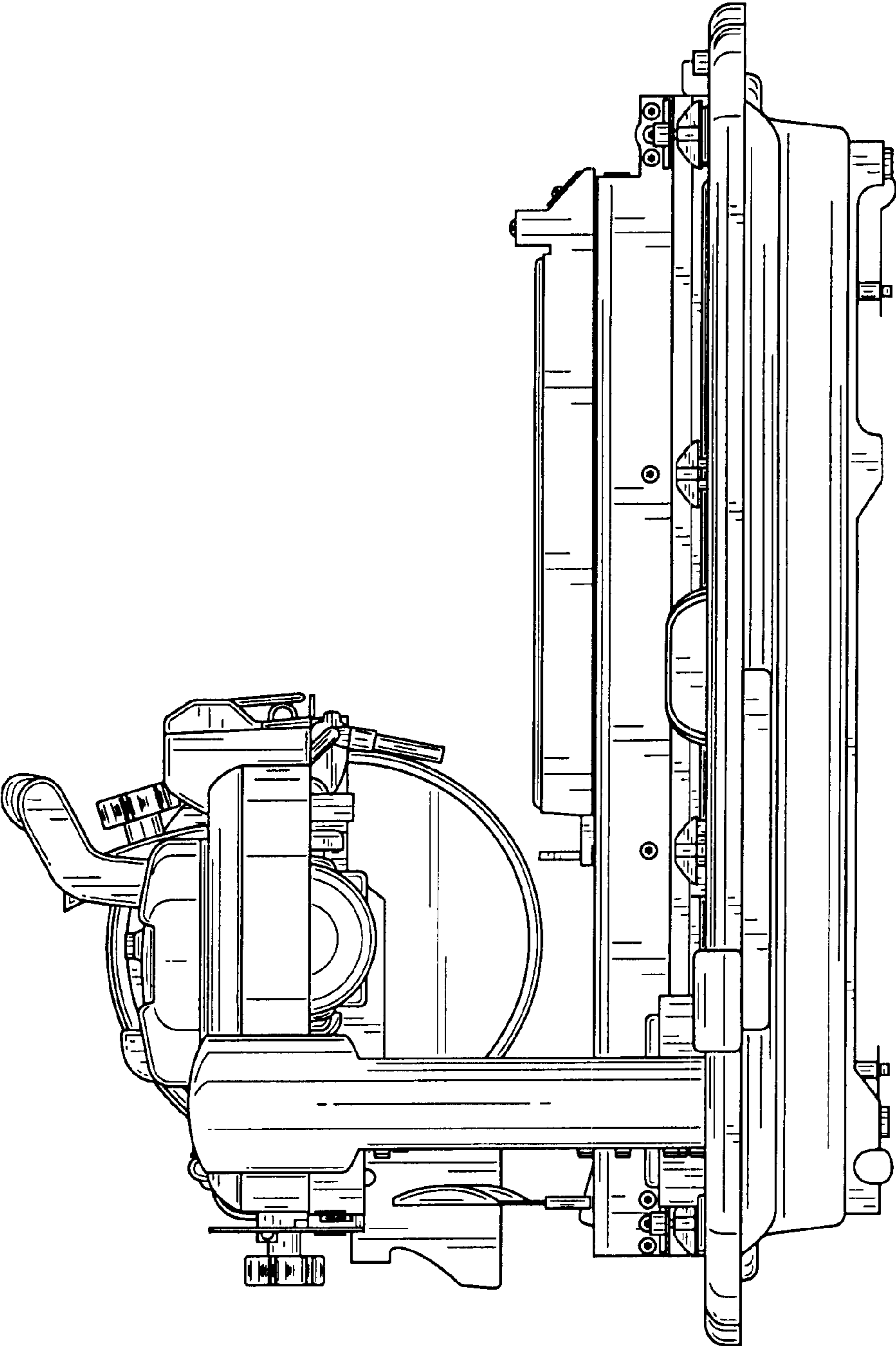


FIG. 4A

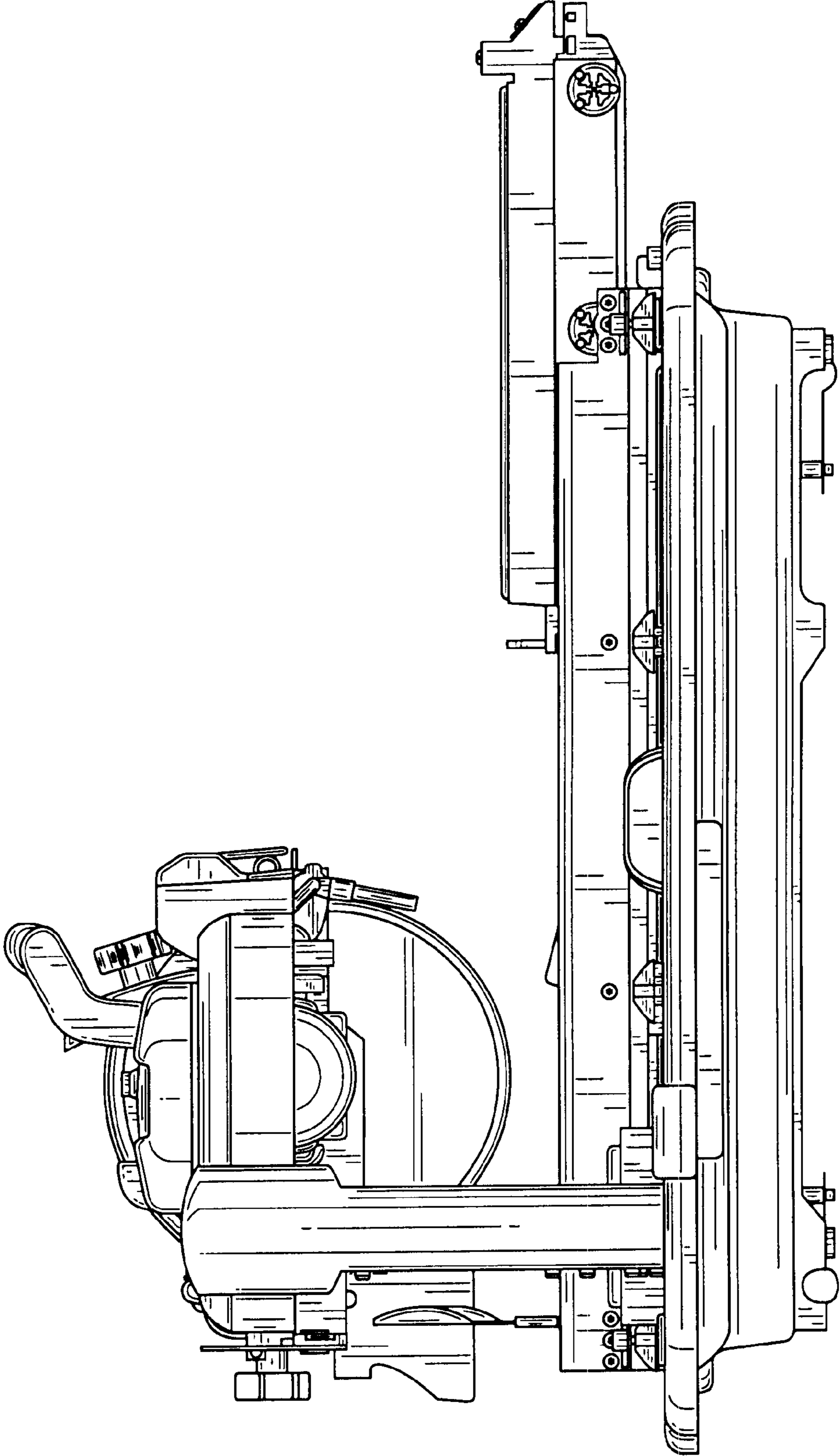


FIG. 4B

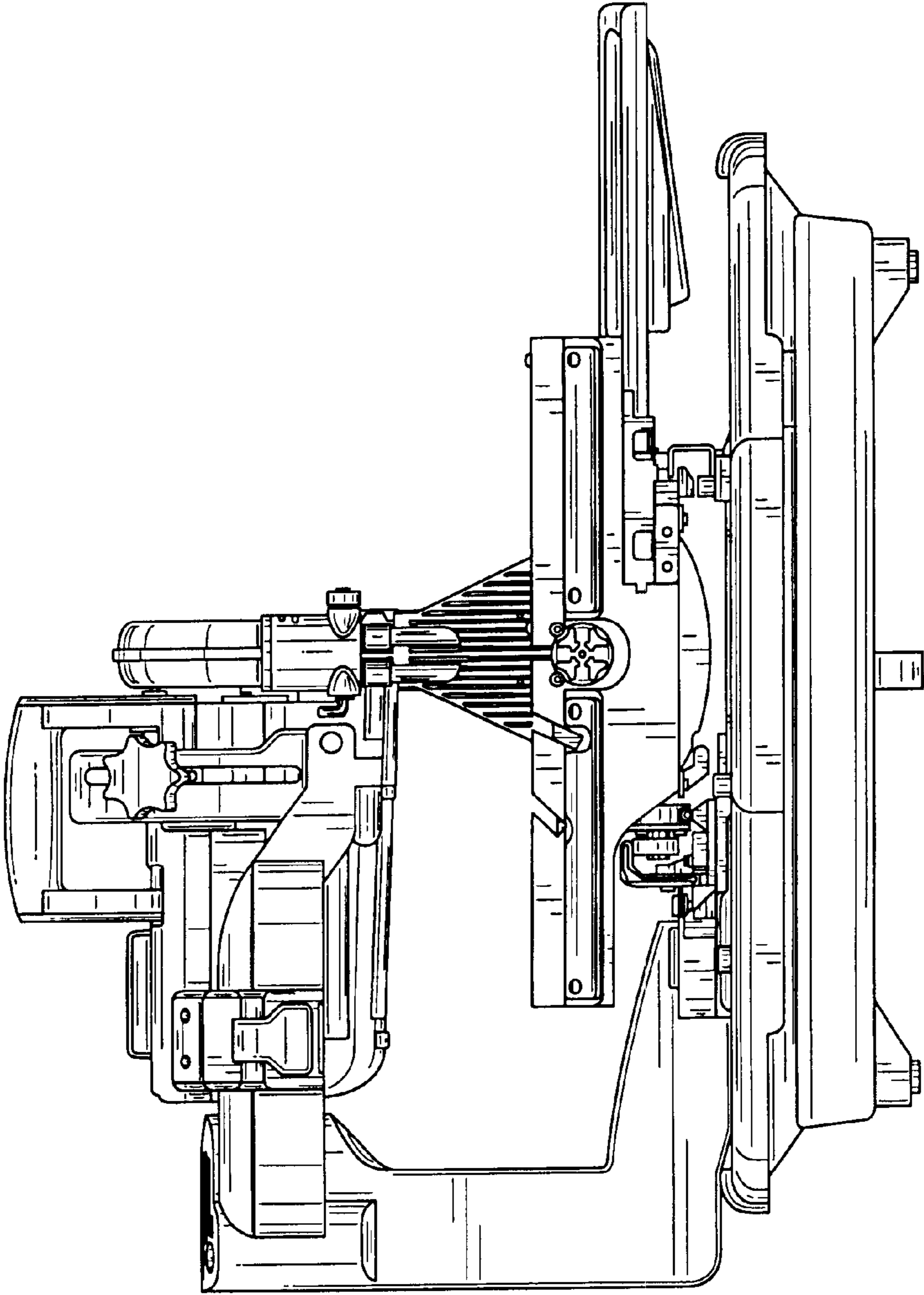


FIG. 5

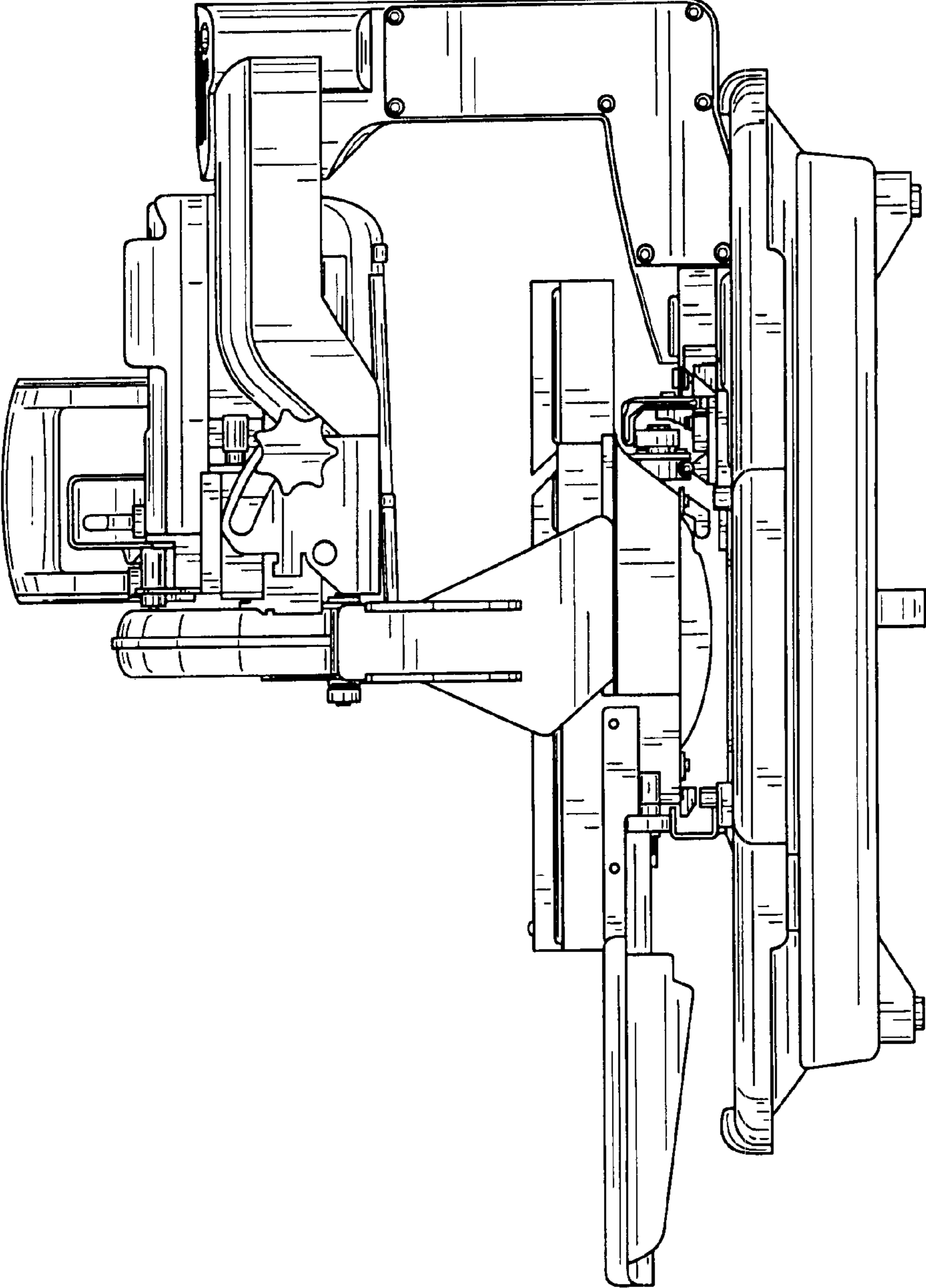


FIG. 6

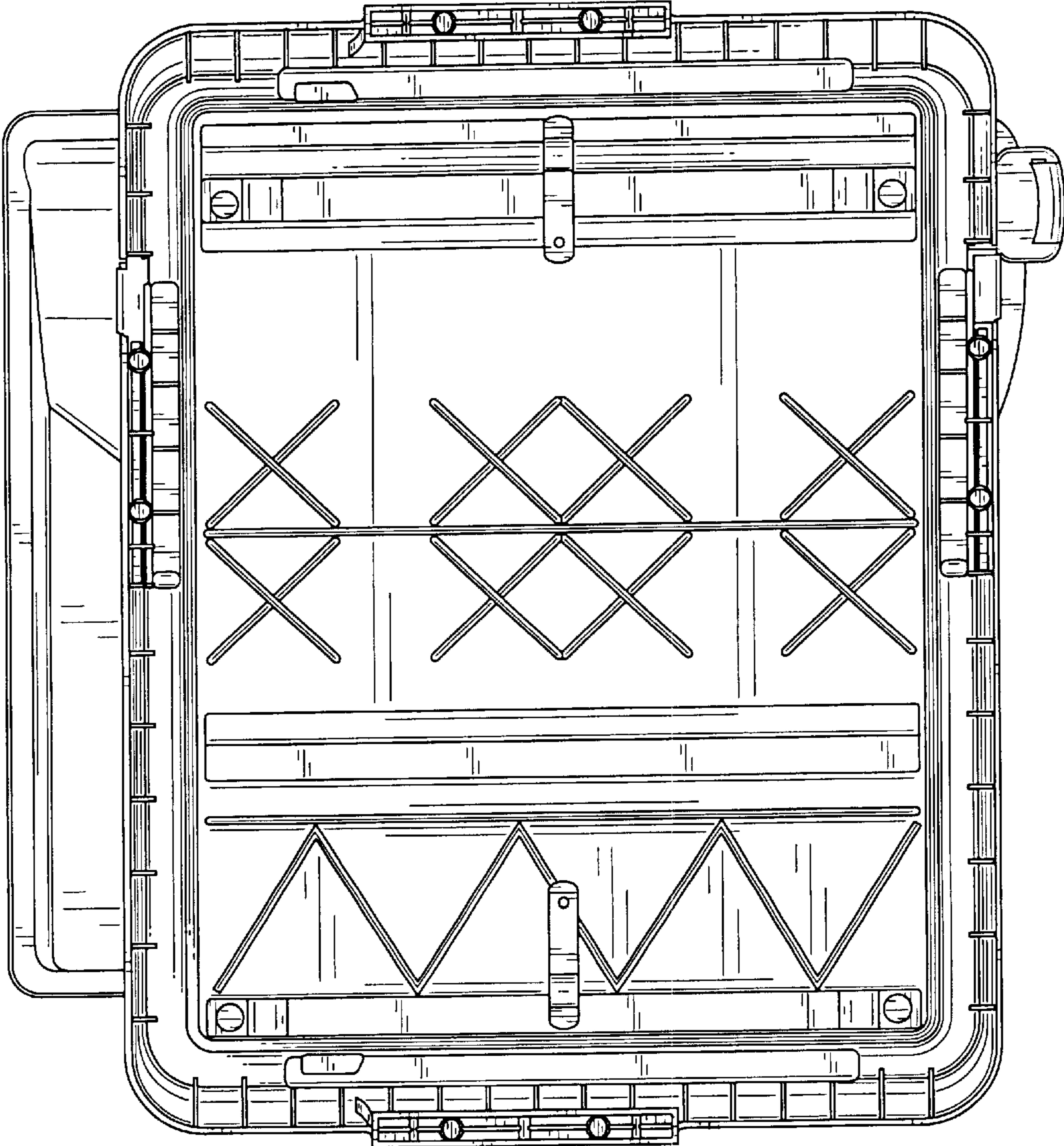


FIG. 7A

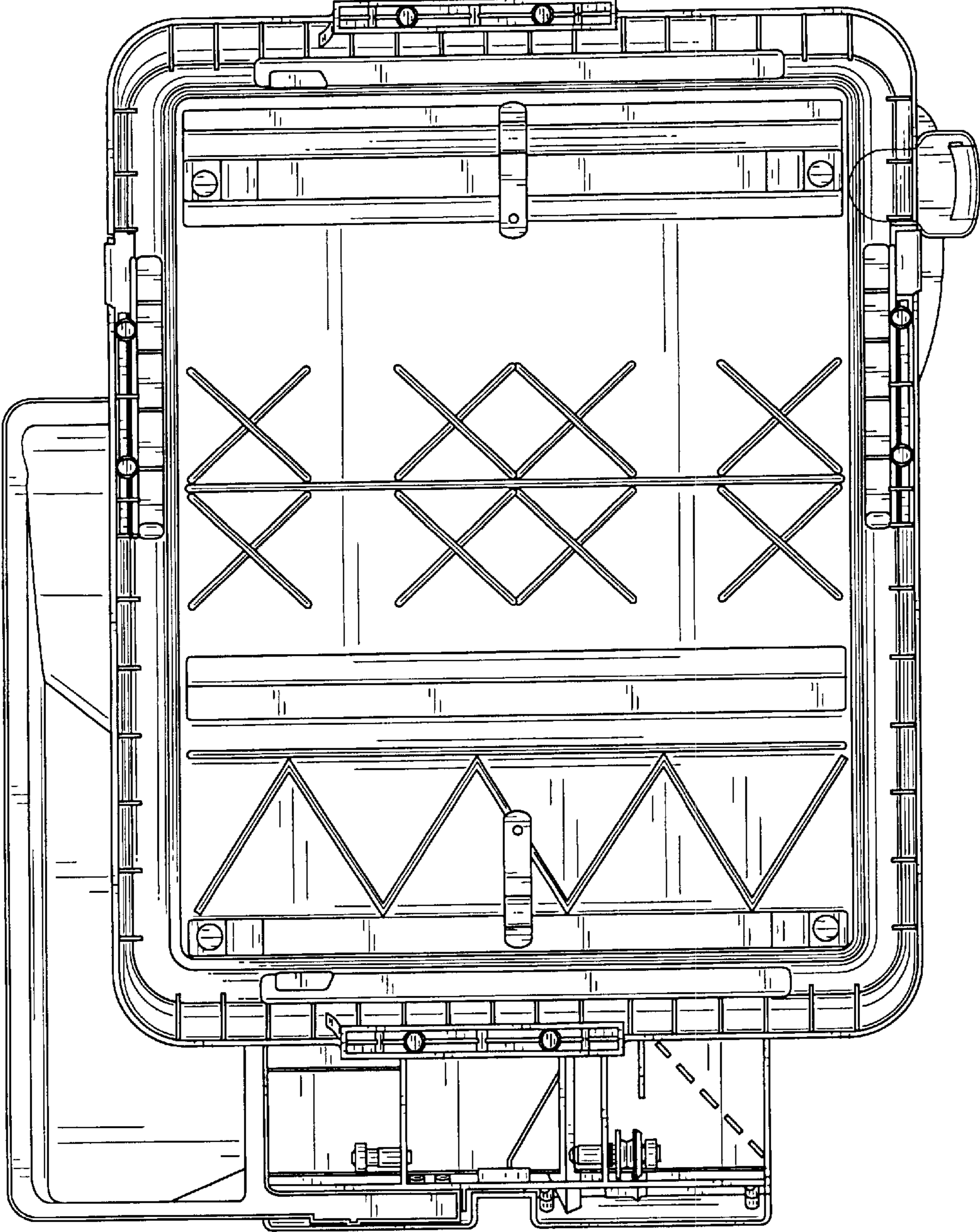


FIG. 7B