



US00D510044S

(12) **United States Design Patent**
Ribeiro et al.

(10) **Patent No.:** **US D510,044 S**
(45) **Date of Patent:** **** Sep. 27, 2005**

(54) **AUTOMOTIVE DIAGNOSTIC LABSCOPE AND GAS ANALYZER**

(75) Inventors: **Durval S. Ribeiro**, Owatonna, MN (US); **Edward Lipscomb**, Lakeville, MN (US); **Troy Liebl**, Owatonna, MN (US); **Manohar Chinnandurai**, Owatonna, MN (US)

(73) Assignee: **SPX Corporation**, Charlotte, NC (US)

(**) Term: **14 Years**

(21) Appl. No.: **29/219,107**

(22) Filed: **Dec. 14, 2004**

(51) **LOC (8) Cl.** **10-04**

(52) **U.S. Cl.** **D10/78**

(58) **Field of Search** D10/78; 324/76.12; 340/439; 701/24, 29, 35; 702/57

(56) **References Cited**

U.S. PATENT DOCUMENTS

D242,722 S	*	12/1976	Bell	D10/78
D366,220 S	*	1/1996	Sakamoto	D10/78
D366,432 S	*	1/1996	Wrisley et al.	D10/78
D367,234 S	*	2/1996	Henney et al.	D10/78
5,659,680 A	*	8/1997	Cunningham et al.	714/25
5,859,628 A	*	1/1999	Ross et al.	340/990

6,094,609 A	*	7/2000	Arjomand	701/29
D444,085 S	*	6/2001	Wrisley et al.	D10/78
6,287,519 B1	*	9/2001	Nordman et al.	422/94
6,693,367 B1	*	2/2004	Schmeisser et al.	701/29
6,816,760 B1	*	11/2004	Namaky	701/29

* cited by examiner

Primary Examiner—Antoine D. Davis

(74) *Attorney, Agent, or Firm*—Baker & Hostetler LLP

(57) **CLAIM**

The ornamental design for a automotive diagnostic labscope and gas analyzer, as shown and described.

DESCRIPTION

FIG. 1 is a front right perspective view of the automotive diagnostic labscope and gas analyzer;
 FIG. 2 is a front left perspective view of the automotive diagnostic labscope and gas analyzer;
 FIG. 3 rear perspective view of the automotive diagnostic labscope and gas analyzer;
 FIG. 4 is a right side elevational view thereof;
 FIG. 5 is a front elevational view thereof;
 FIG. 6 is a top plan view thereof;
 FIG. 7 is a bottom plan view thereof; and,
 FIG. 8 is a rear elevational view thereof.
 The broken line showing is for illustrative purposes only and forms no part of the claimed design.

1 Claim, 8 Drawing Sheets

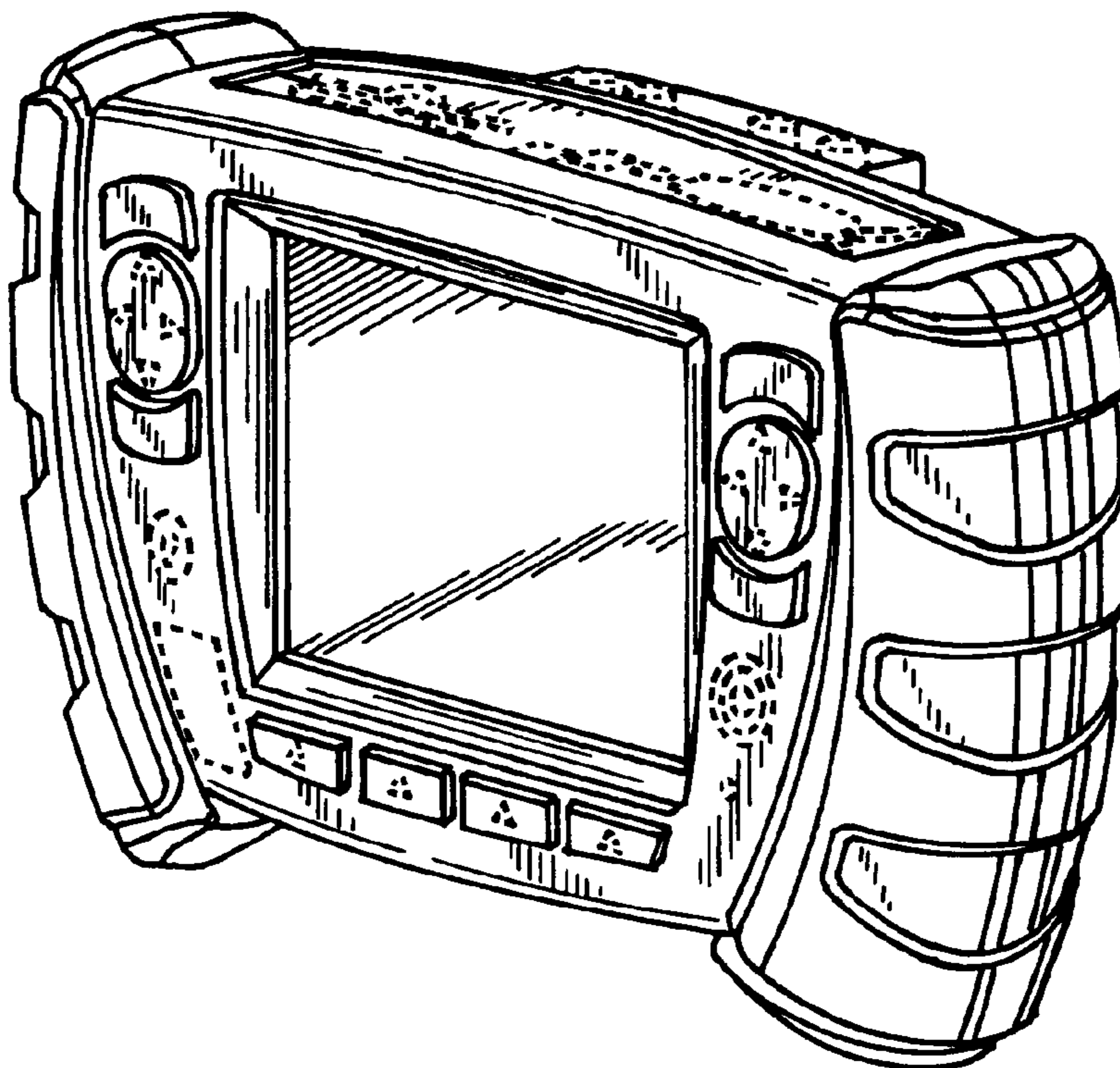


FIG. 1

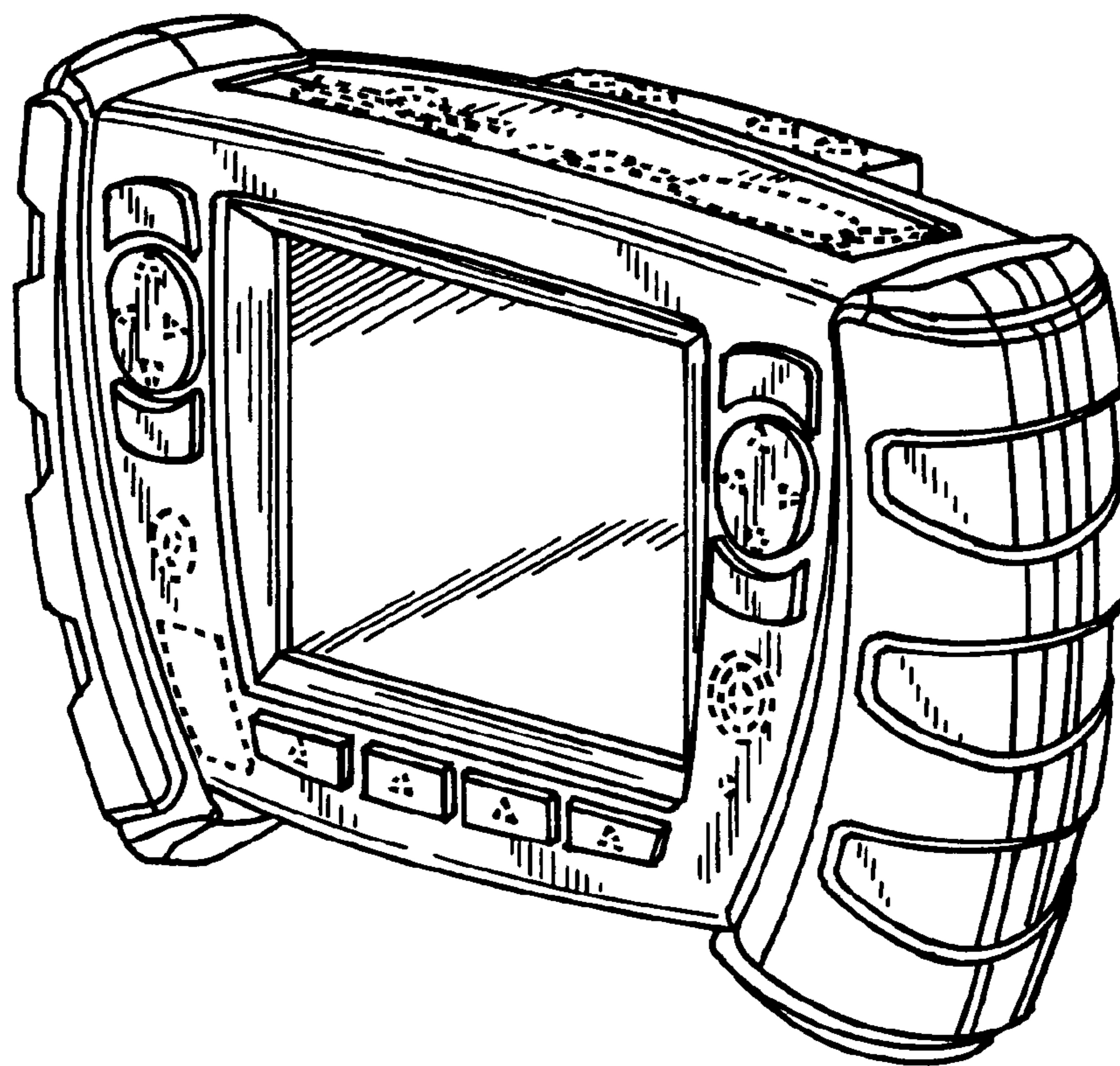


FIG. 2

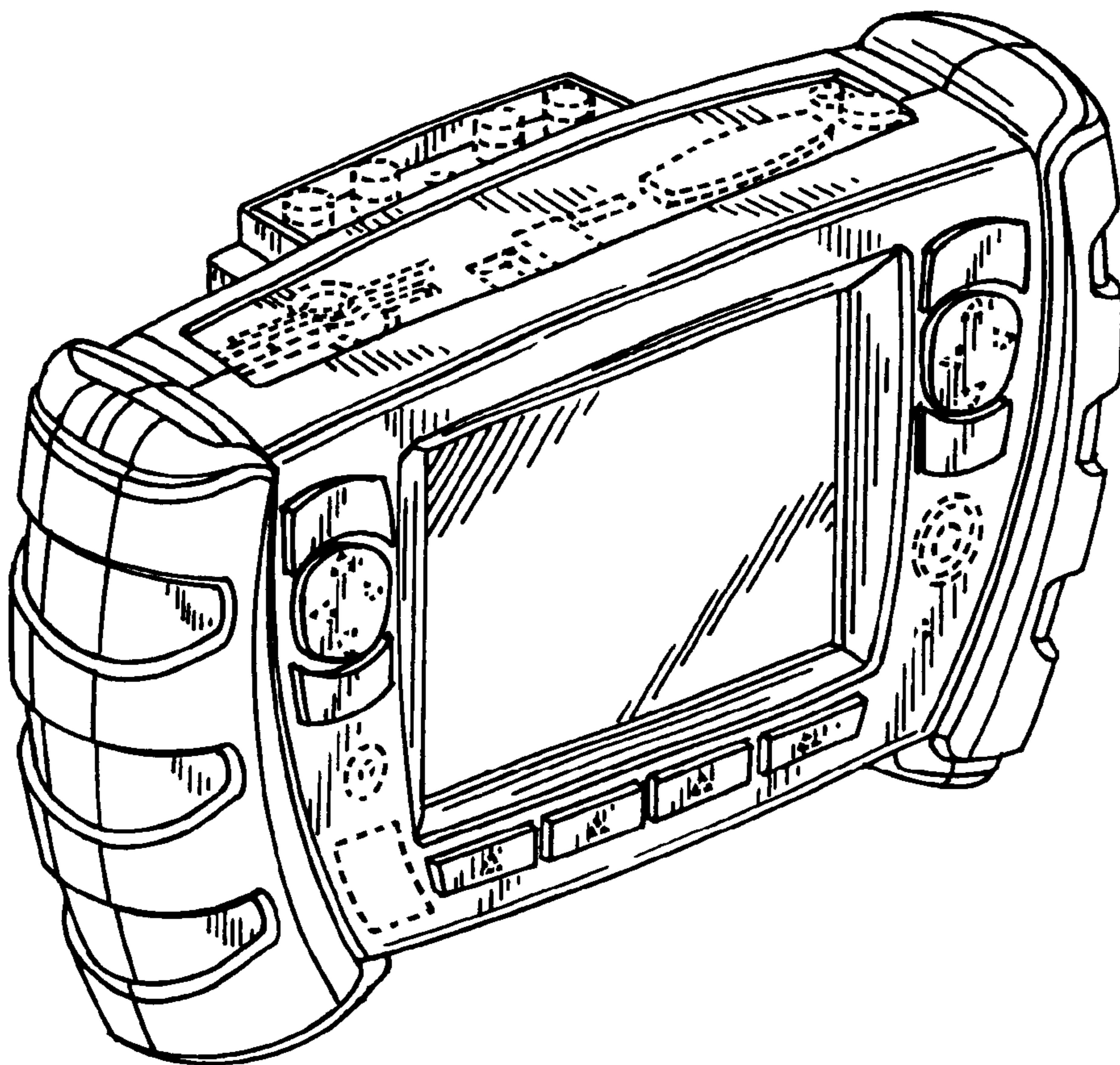


FIG. 3

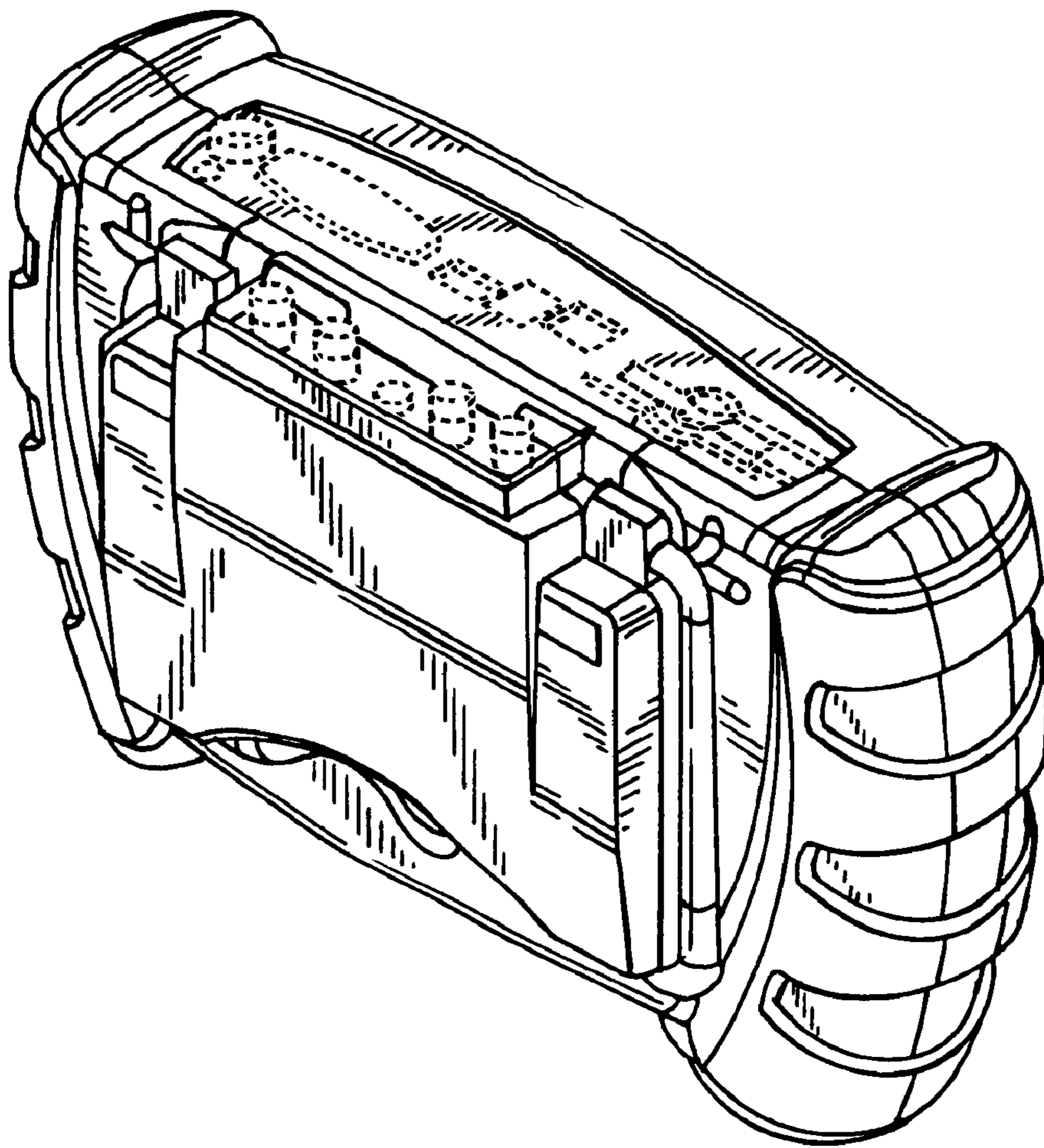


FIG. 4

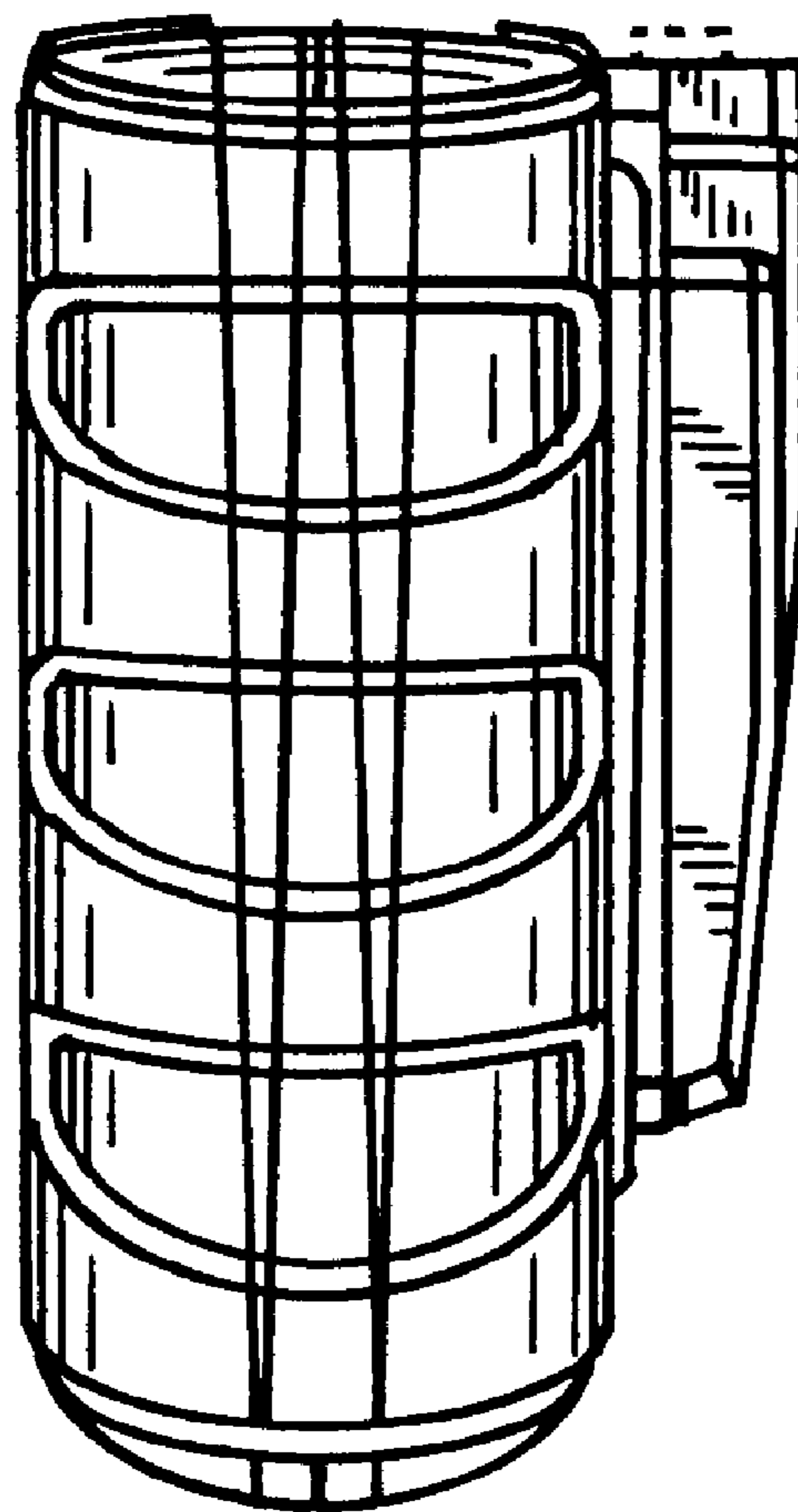


FIG. 5

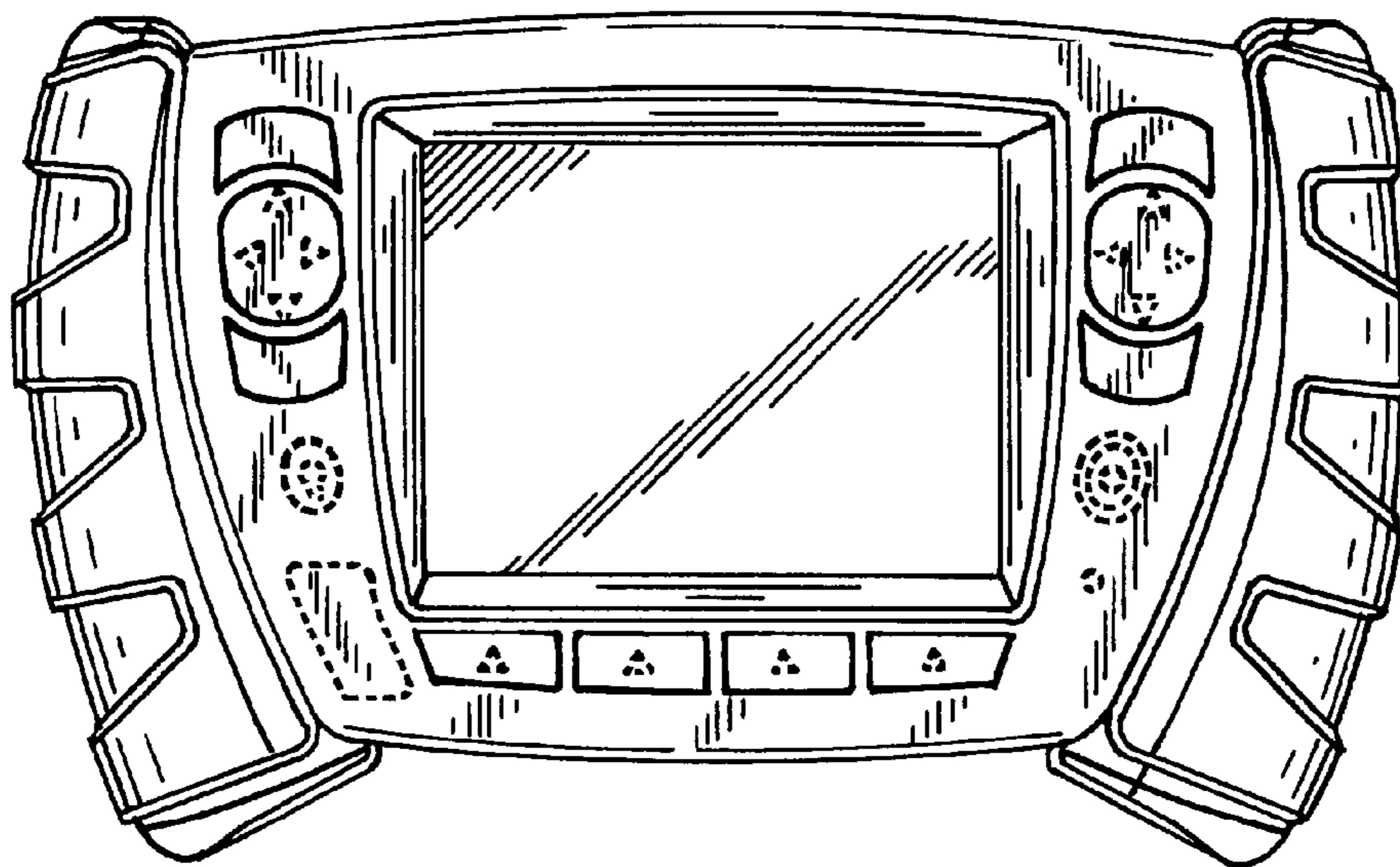


FIG. 6

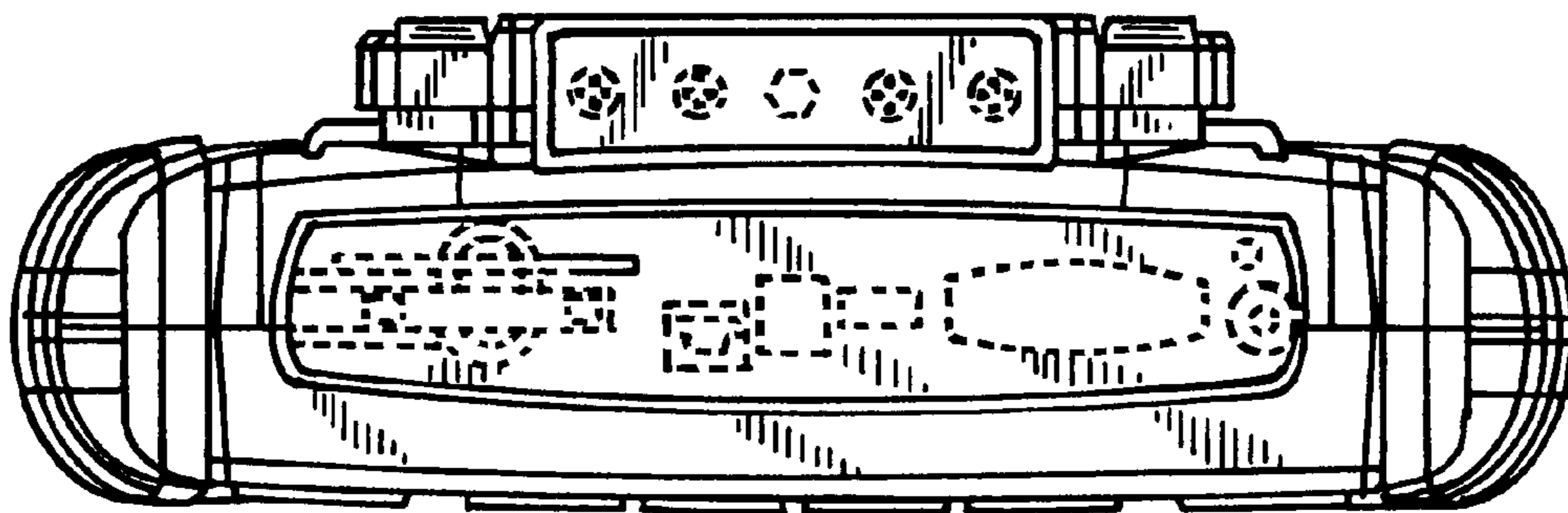


FIG. 7

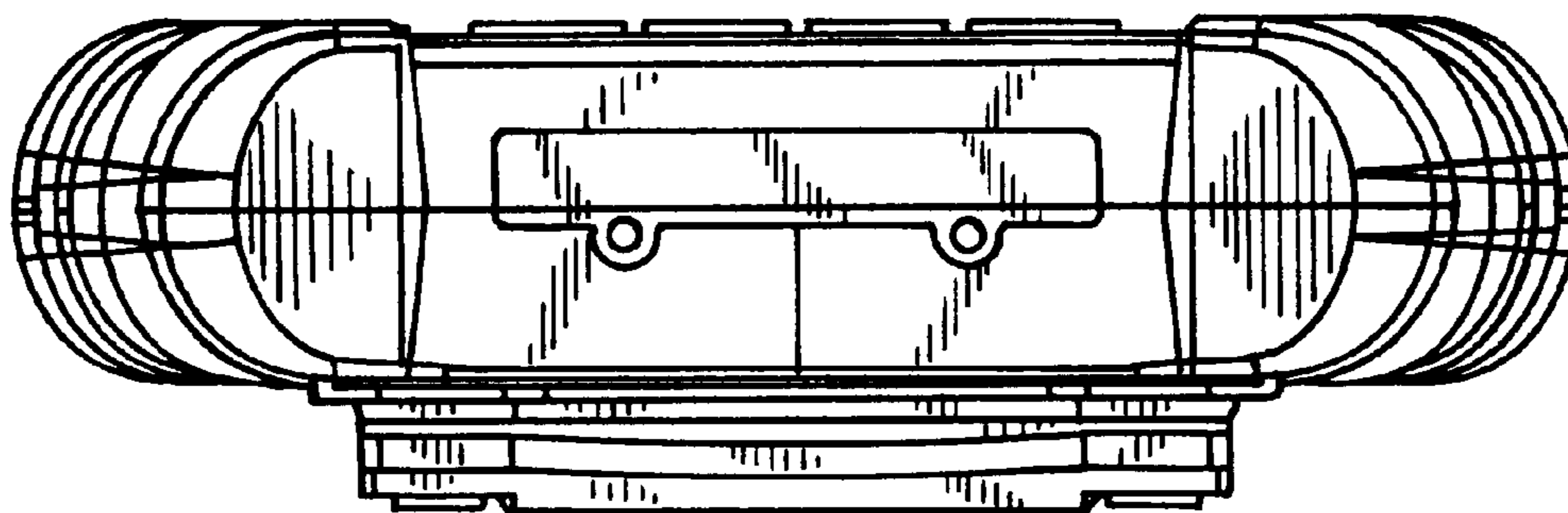
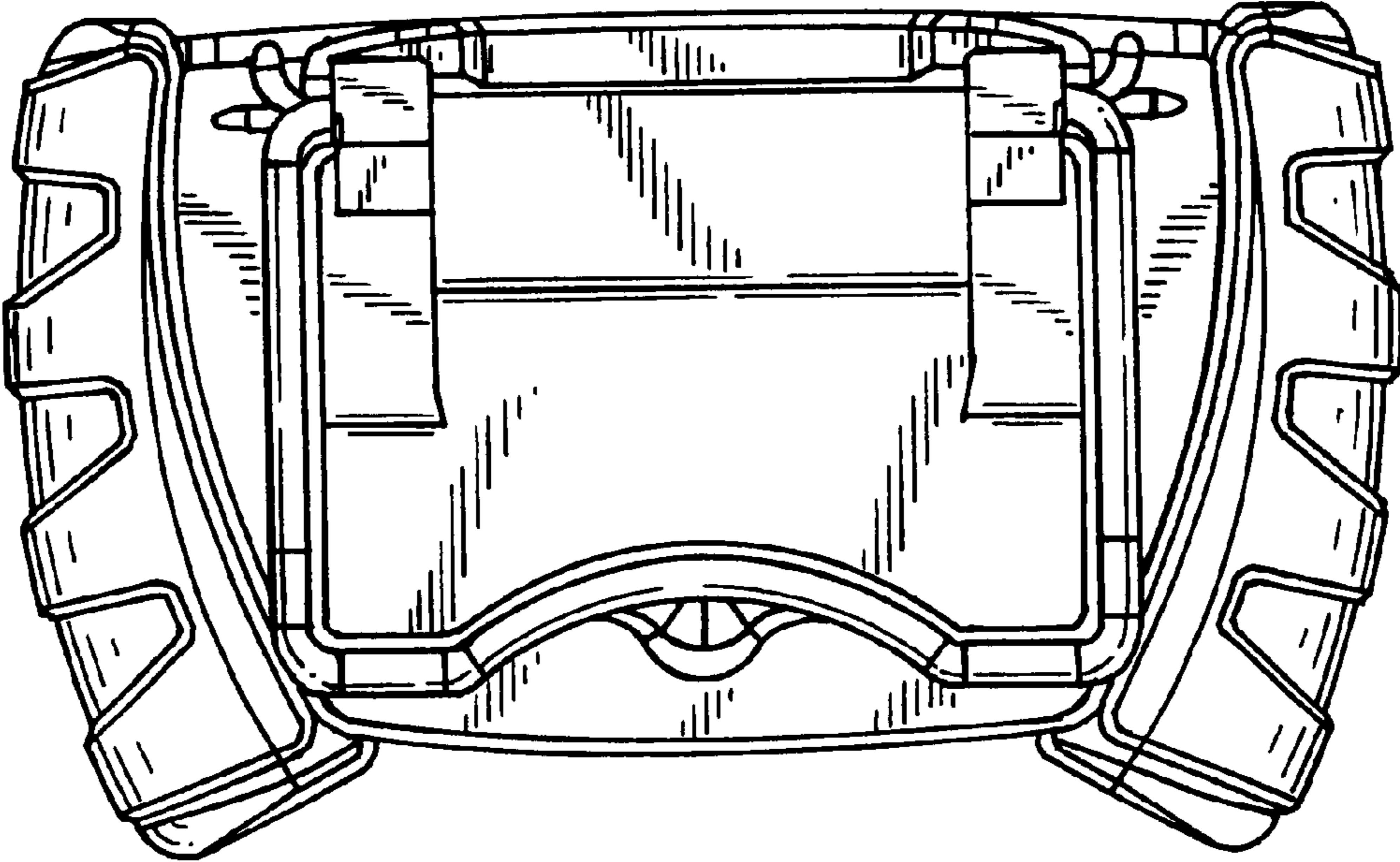


FIG. 8



UNITED STATES PATENT AND TRADEMARK OFFICE
CERTIFICATE OF CORRECTION

PATENT NO. : Des. 510,044 S
DATED : September 27, 2005
INVENTOR(S) : Durval S. Ribeiro et al.

Page 1 of 1

It is certified that error appears in the above-identified patent and that said Letters Patent is hereby corrected as shown below:

Title page.

Item [75], Inventors, replace “**Manohar Chinnandurai**” with -- **Manohar Chinnadurai** --.

Signed and Sealed this

Twenty-seventh Day of December, 2005

A handwritten signature in black ink on a dotted background. The signature reads "Jon W. Dudas" in a cursive style.

JON W. DUDAS

Director of the United States Patent and Trademark Office