



US00D510042S

(12) **United States Design Patent**
Bhavnani

(10) **Patent No.:** **US D510,042 S**
(45) **Date of Patent:** **** Sep. 27, 2005**

(54) **CALCULATOR RULE**

(75) Inventor: **Dilip Bhavnani**, Beverly Hills, CA
(US)

(73) Assignee: **Sun Coast Merchandise Corp.**,
Commerce, CA (US)

(**) Term: **14 Years**

(21) Appl. No.: **29/220,464**

(22) Filed: **Dec. 29, 2004**

(51) **LOC (8) Cl.** **10-04**

(52) **U.S. Cl.** **D10/71**

(58) **Field of Search** D10/71; 33/484-495;
D18/2

(56) **References Cited**

U.S. PATENT DOCUMENTS

| | | | | | |
|------------|---|---------|-------|-------|--------|
| D271,025 S | * | 10/1983 | Li | | D10/71 |
| D279,381 S | * | 6/1985 | Leung | | D10/71 |
| D283,515 S | * | 4/1986 | Li | | D10/71 |
| D284,199 S | * | 6/1986 | Li | | D10/71 |
| D286,161 S | * | 10/1986 | Wong | | D10/71 |

D384,366 S * 9/1997 Millstone et al. D10/71

* cited by examiner

Primary Examiner—Antoine D. Davis

(74) *Attorney, Agent, or Firm*—Brian Carpenter

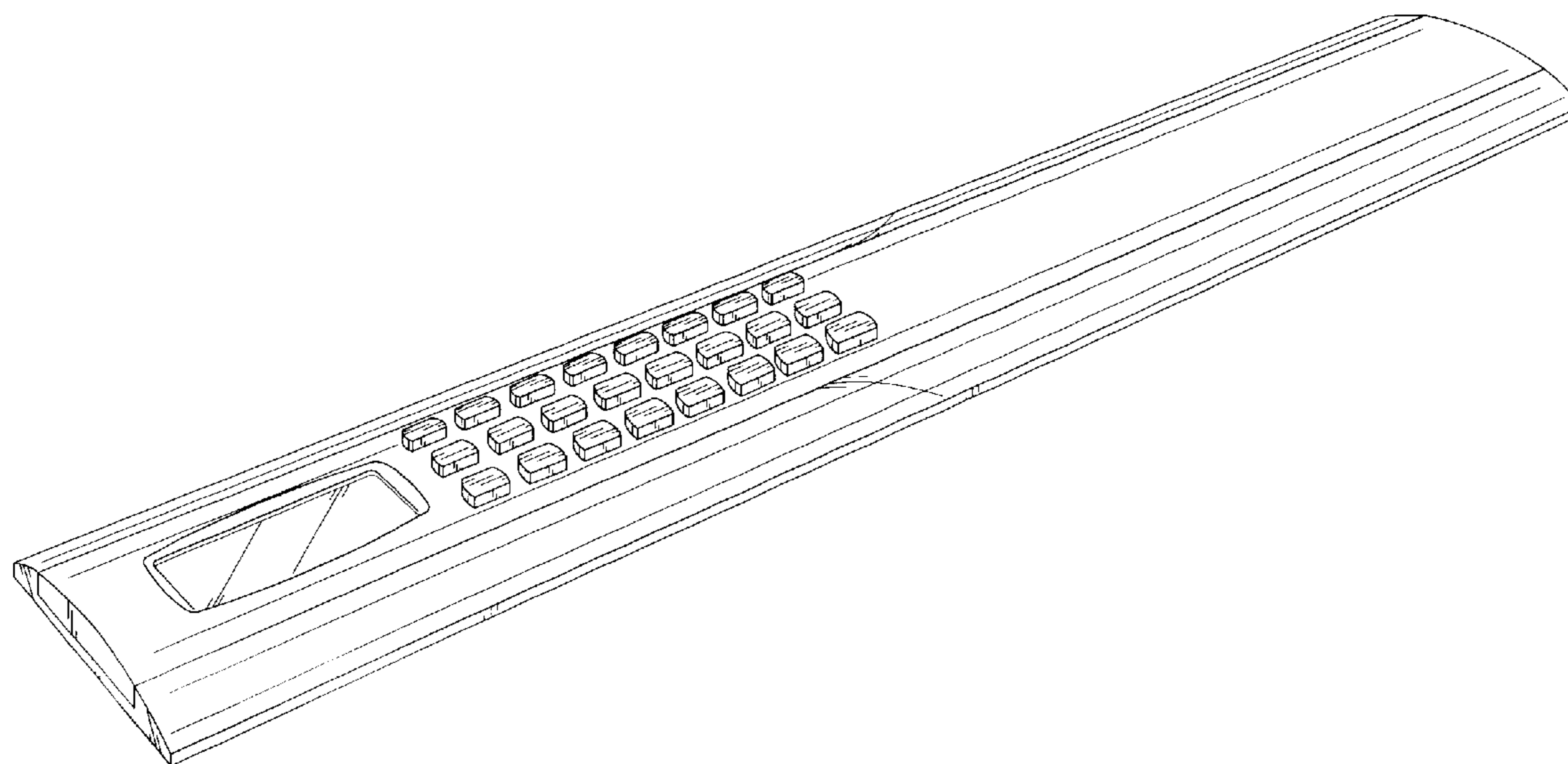
(57) **CLAIM**

The ornamental design for a calculator rule, as shown and described.

DESCRIPTION

FIG. 1 is a bottom front perspective view of a calculator rule; FIG. 2 is a front elevation view of the calculator rule of FIG. 1; FIG. 3 is a bottom plan view of the calculator rule of FIG. 1; FIG. 4 is a top plan view of the calculator rule of FIG. 1; FIG. 5 is a left side elevation view of the calculator rule of FIG. 1; FIG. 6 is a right side elevation view of the calculator rule of FIG. 1; and, FIG. 7 is a back side elevation view of the calculator rule of FIG. 1.

1 Claim, 2 Drawing Sheets



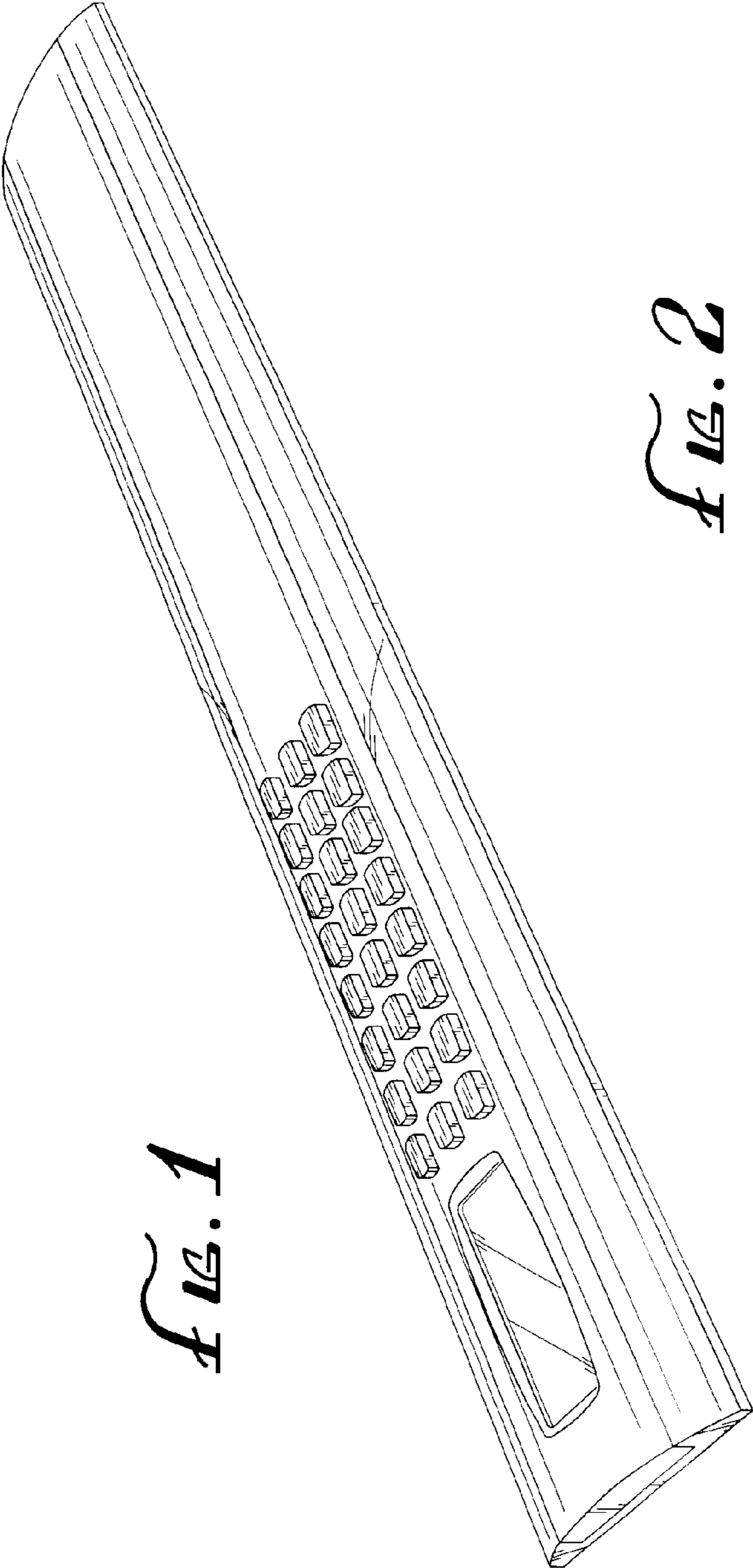
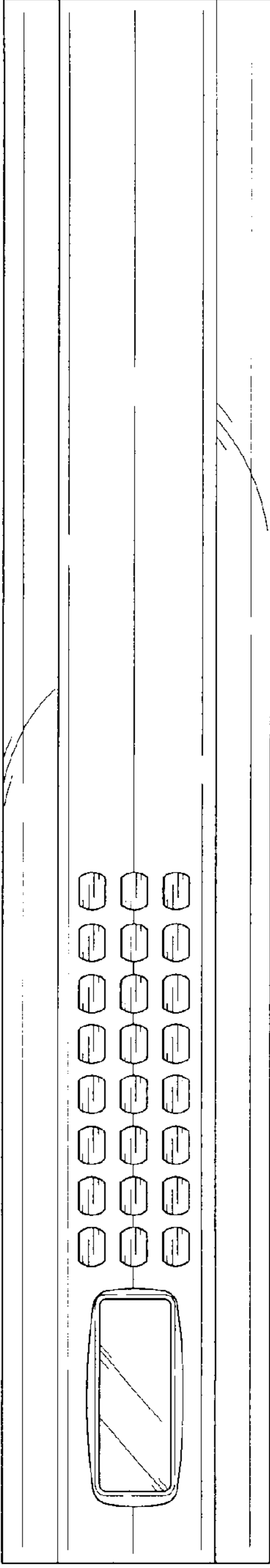


FIG. 2



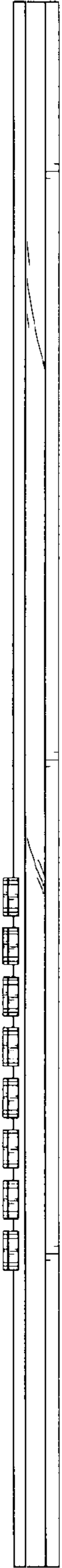


FIG. 3

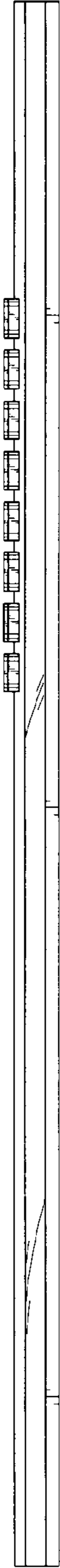


FIG. 4

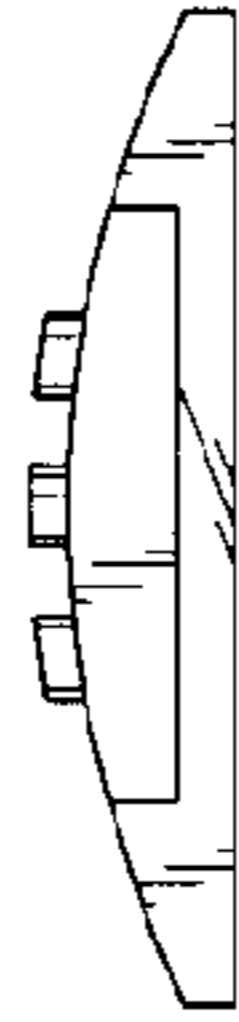


FIG. 5

FIG. 6

FIG. 7

