

US00D510041S

(12) **United States Design Patent**
Mitchell

(10) **Patent No.:** **US D510,041 S**

(45) **Date of Patent:** **** Sep. 27, 2005**

(54) **RULER FOR DISPLAYING FRACTIONAL AND DECIMAL MEASURING INDICIA**

(76) **Inventor:** **Pitty R. Mitchell**, 1450 N. Meeker Ave., Valinda, CA (US) 91744

(**) **Term:** **14 Years**

(21) **Appl. No.:** **29/215,412**

(22) **Filed:** **Oct. 20, 2004**

(51) **LOC (8) Cl.** **10-04**

(52) **U.S. Cl.** **D10/71**

(58) **Field of Search** D10/71; 33/484-495

(56) **References Cited**

U.S. PATENT DOCUMENTS

| | | |
|-------------|---------|-----------|
| 1,776,245 A | 9/1930 | Barrett |
| 4,247,986 A | 2/1981 | Burroughs |
| 4,547,969 A | 10/1985 | Haack |
| 4,614,042 A | 9/1986 | Maurer |
| 5,746,001 A | 5/1998 | Fisher |

| | | | | | |
|------------|---|---------|--------------|-------|--------|
| D398,869 S | * | 9/1998 | Taylor | | D10/71 |
| D399,769 S | * | 10/1998 | Taylor | | D10/71 |
| D410,858 S | * | 6/1999 | Taylor | | D10/71 |
| D442,099 S | | 5/2001 | Davis et al. | | |

* cited by examiner

Primary Examiner—Antoine D. Davis

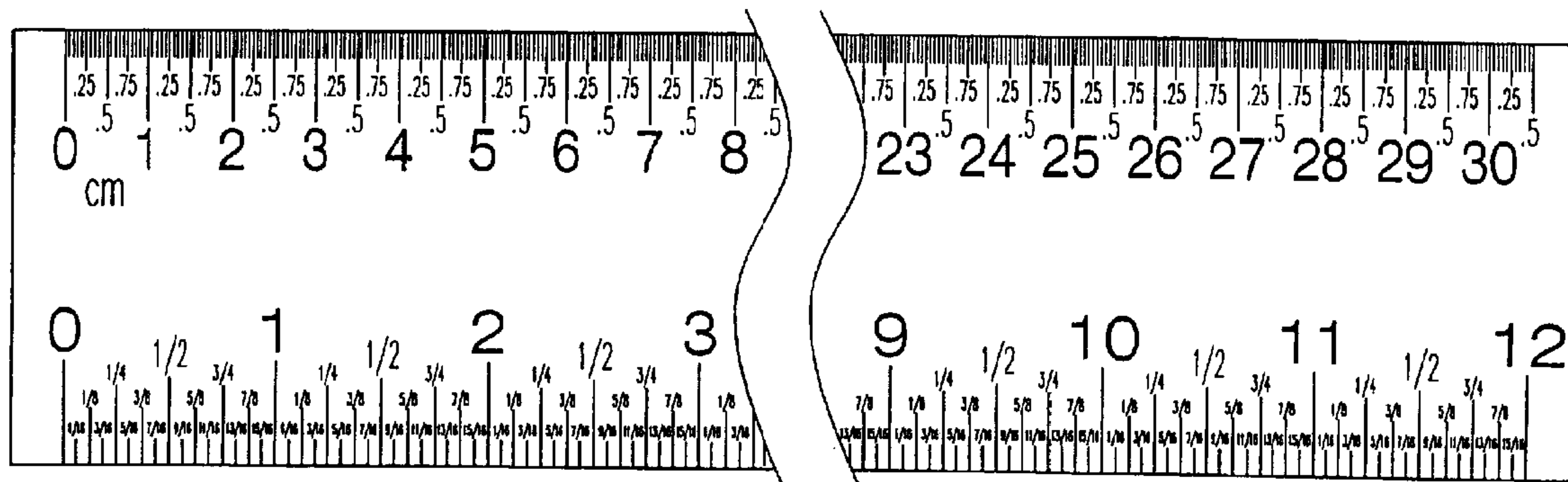
(57) **CLAIM**

The ornamental design for a ruler for displaying fractional and decimal measuring indicia, as shown and described.

DESCRIPTION

FIG. 1 is a top plan view of a ruler for displaying fractional and decimal measuring indicia showing my new design portions not shown for ease of illustration; FIG. 2 is a bottom plan view thereof; FIG. 3 is a side elevational view thereof; FIG. 4 is a front elevational view thereof; and, FIG. 5 is a perspective view thereof.

1 Claim, 3 Drawing Sheets



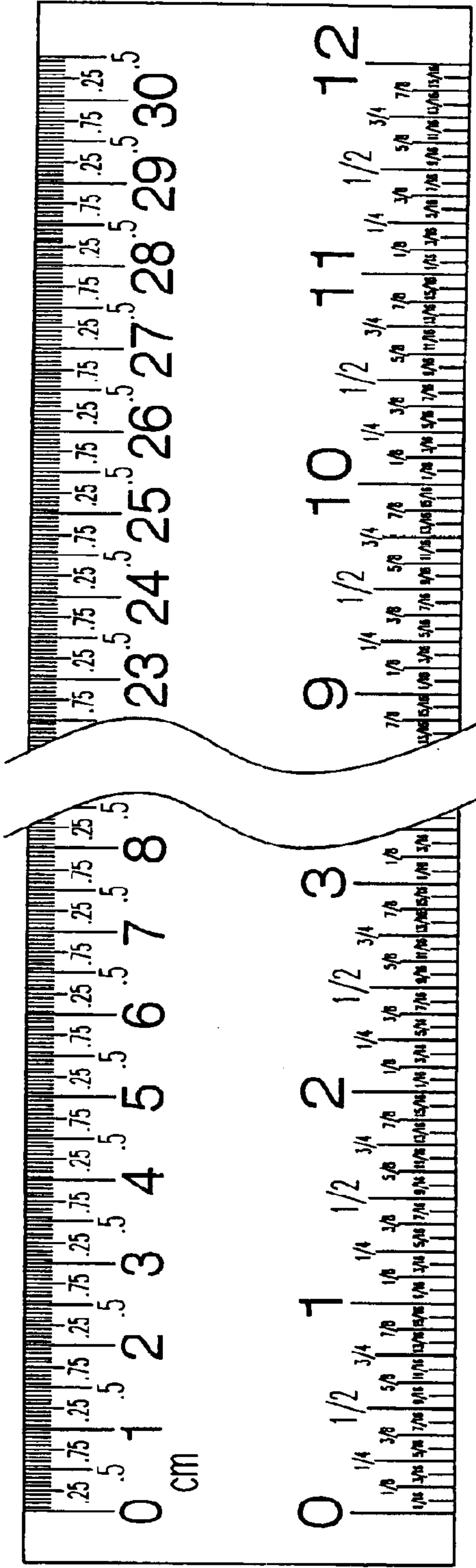


FIG. 1

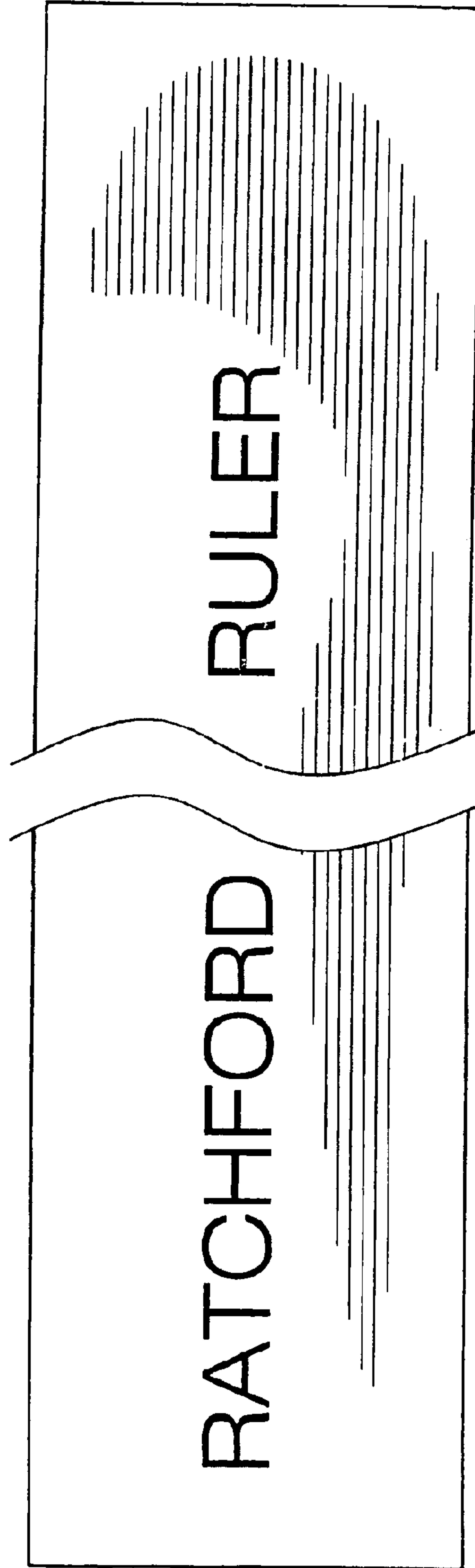


FIG. 2

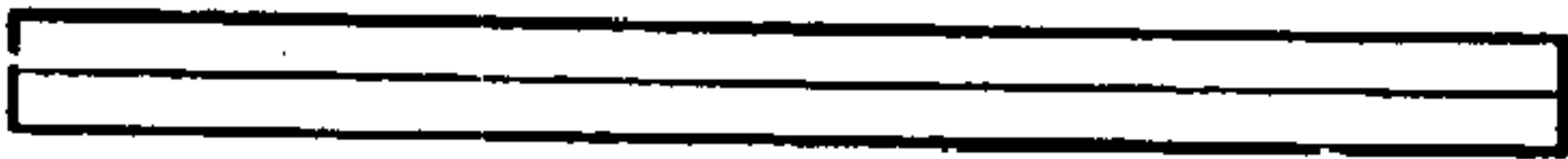


FIG. 3

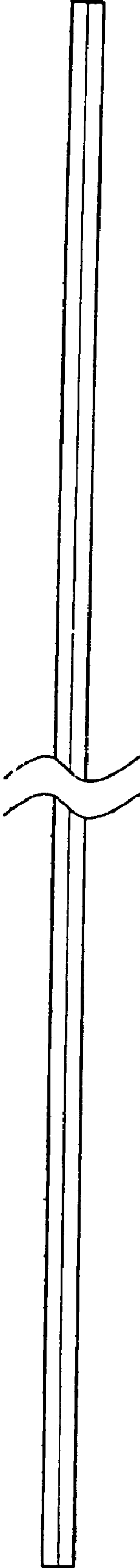


FIG. 4

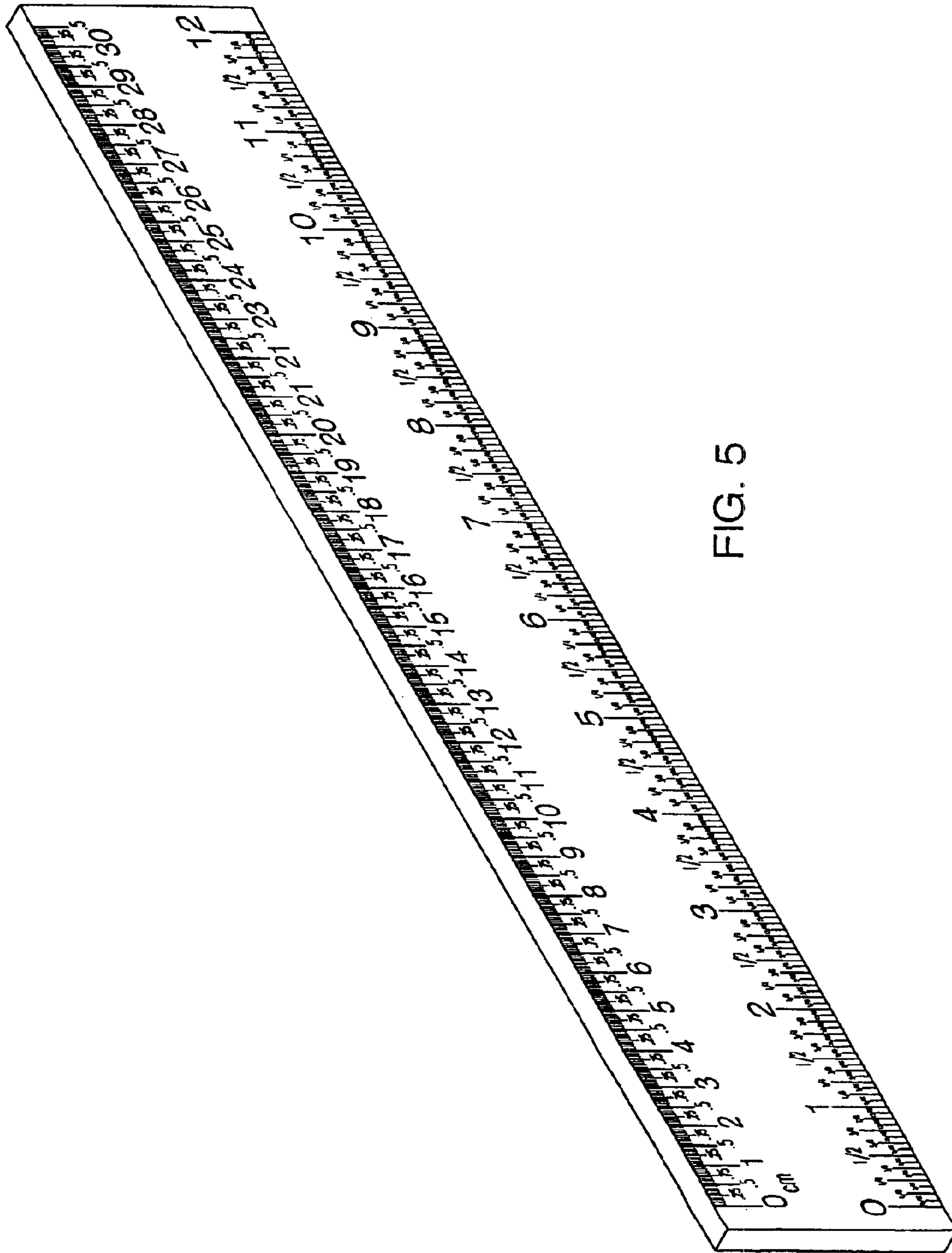


FIG. 5