



US00D510037S

(12) **United States Design Patent** (10) **Patent No.:** **US D510,037 S**  
**Modolo** (45) **Date of Patent:** **\*\* Sep. 27, 2005**

(54) **WRISTWATCH**

D323,785 S \* 2/1992 Tse ..... D10/32  
 D324,828 S \* 3/1992 Wunderman ..... D10/32  
 D433,949 S \* 11/2000 Helleu ..... D10/30

(75) Inventor: **Dino Modolo**, La Chaux-de-Fonds (CH)

**FOREIGN PATENT DOCUMENTS**

(73) Assignee: **Luxury Timepieces International SA**, Cortaillod (CH)

WO DM/049173 \* 9/1999 ..... D10/32

(\*\*) Term: **14 Years**

**OTHER PUBLICATIONS**

(21) Appl. No.: **29/209,559**

Timepieces—Jun. 1989—p. 6 Watches.\*  
 Jeweler's Circular—Keystone—May 1972—p. 10—Watch at top.\*

(22) Filed: **Jul. 19, 2004**

\* cited by examiner

(30) **Foreign Application Priority Data**

*Primary Examiner*—Nelson C. Holtje

Feb. 9, 2004 (CH) ..... 130295

(74) *Attorney, Agent, or Firm*—Sughrue Mion, PLLC

(51) **LOC (8) Cl.** ..... **10-02**

(57) **CLAIM**

(52) **U.S. Cl.** ..... **D10/32**

The ornamental design for a wristwatch, as shown.

(58) **Field of Search** ..... D10/1-39, 122-132;  
 368/276-277, 281-282, 285, 293-295;  
 D11/3-25; 63/1.1, 3, 5, 11; 224/164, 168,  
 178

**DESCRIPTION**

(56) **References Cited**

FIG. 1 is a perspective view of the front and right side of a wristwatch showing my new design;  
 FIG. 2 is a front view thereof;  
 FIG. 3 is a rear view thereof;  
 FIG. 4 is a right side view thereof;  
 FIG. 5 is a left side view thereof;  
 FIG. 6 is an end view of one end thereof; and,  
 FIG. 7 is an end view of the opposite end thereof.

**U.S. PATENT DOCUMENTS**

D224,913 S \* 10/1972 Maroni ..... D10/32  
 D260,615 S \* 9/1981 Maroni ..... D10/32  
 D299,117 S \* 12/1988 Maroni ..... D10/32  
 D310,490 S \* 9/1990 Fong ..... D10/32  
 D314,153 S \* 1/1991 Ratajski ..... D10/32

**1 Claim, 2 Drawing Sheets**

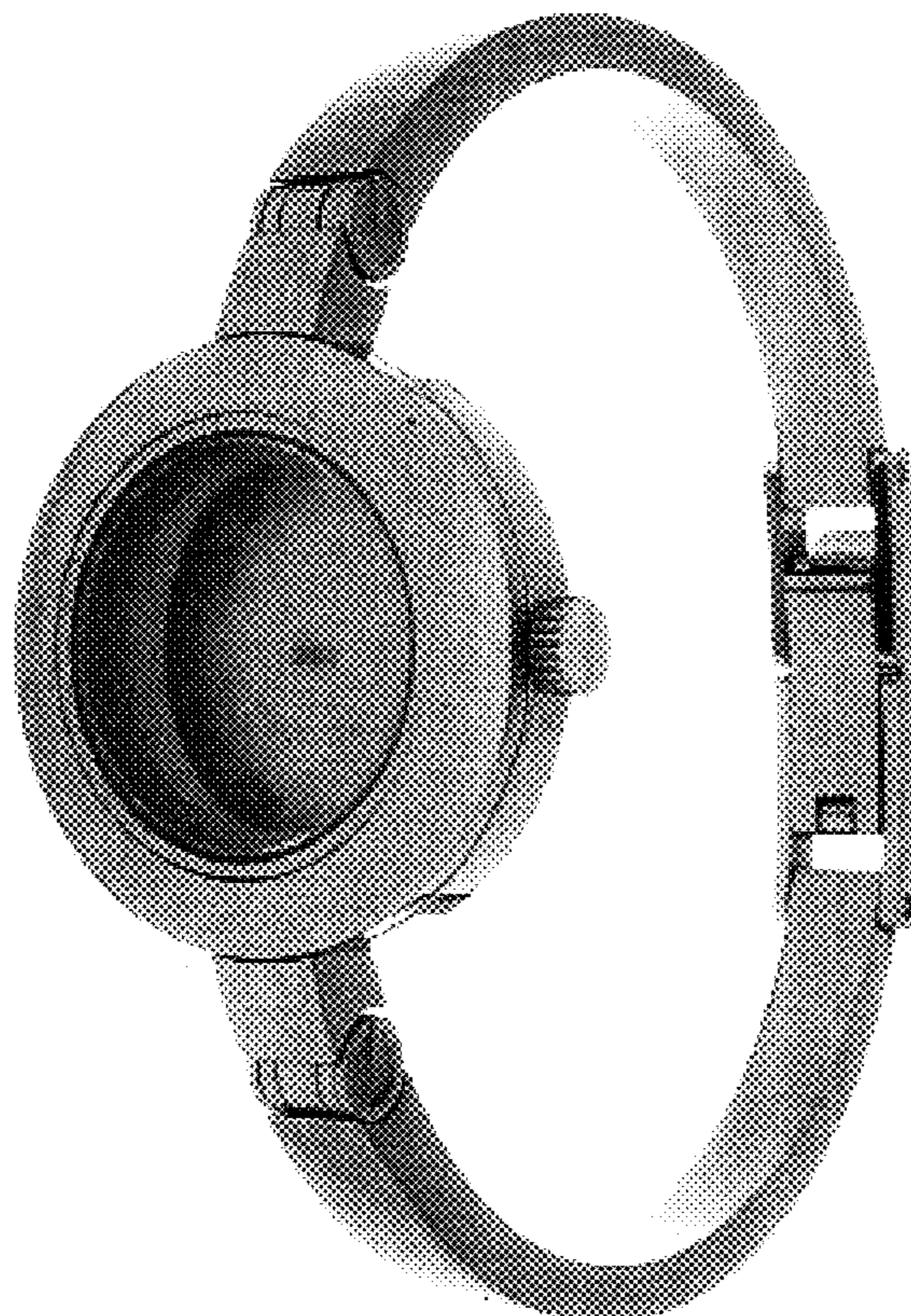


FIG. 1

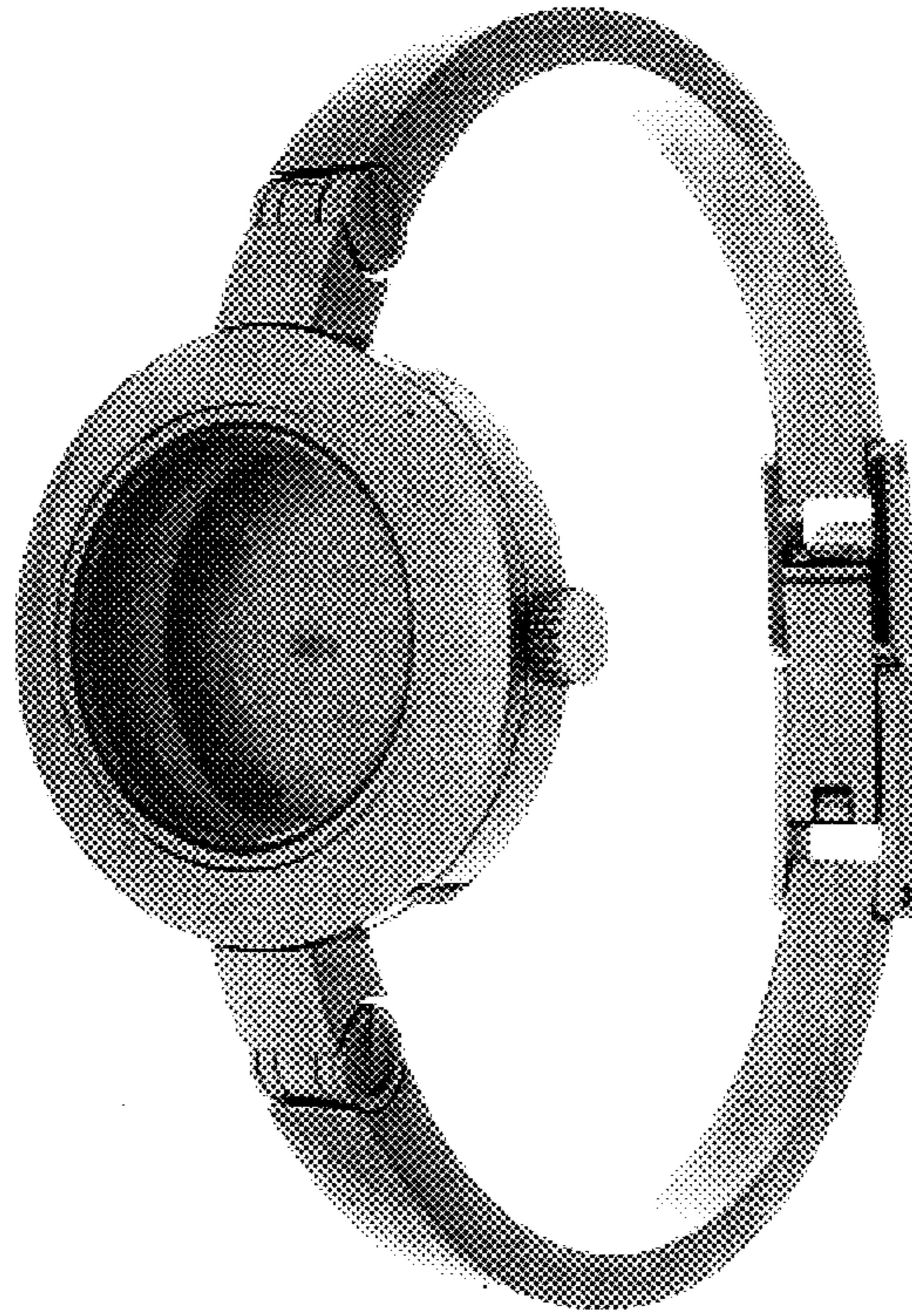


FIG. 2

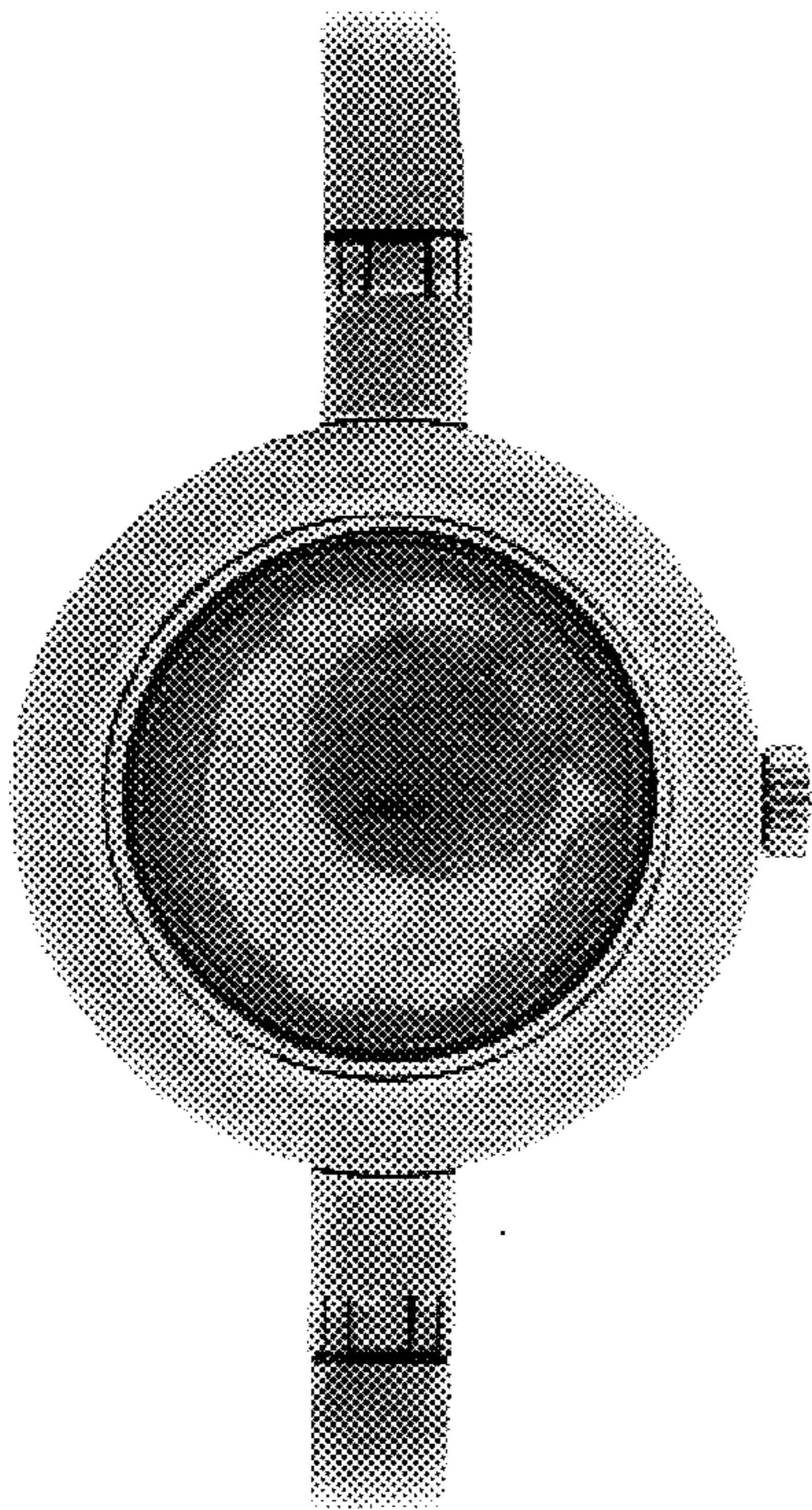


FIG. 3

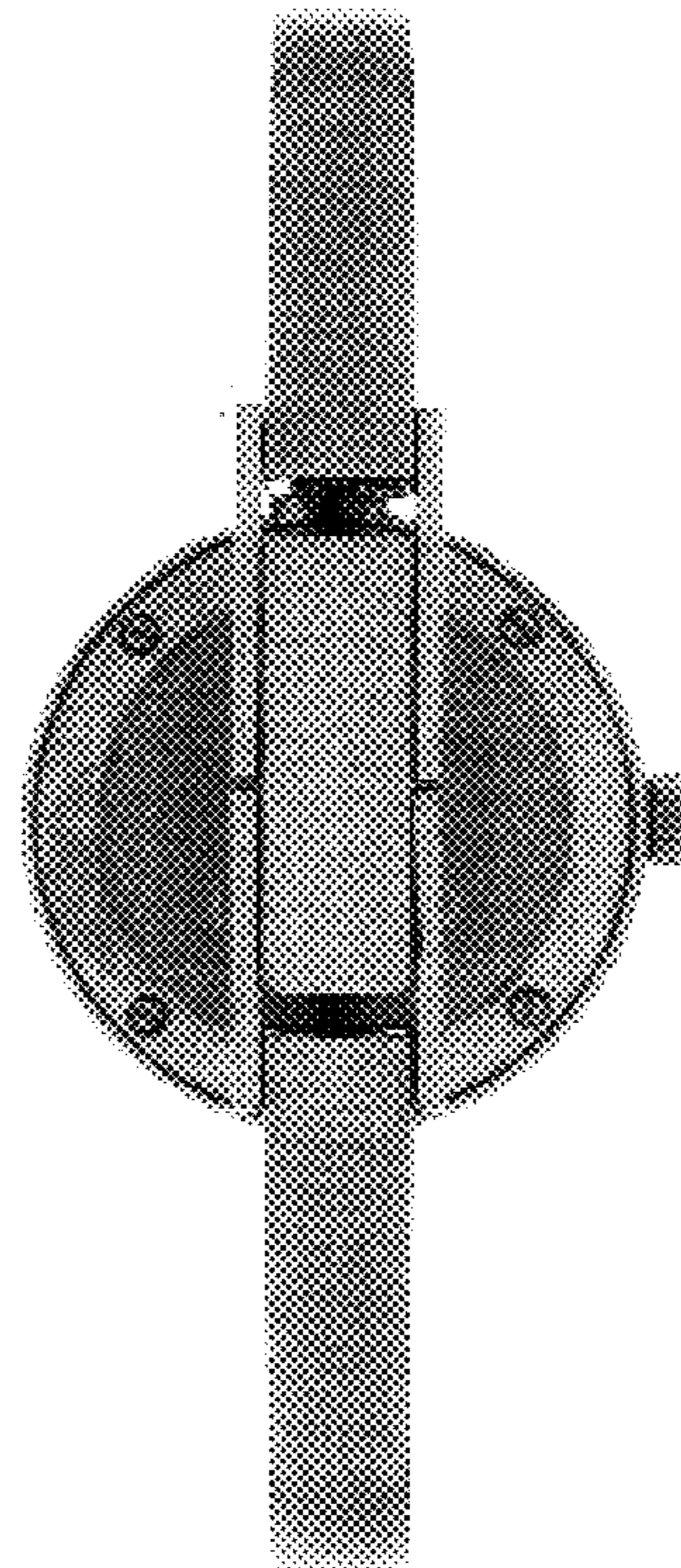


FIG. 4

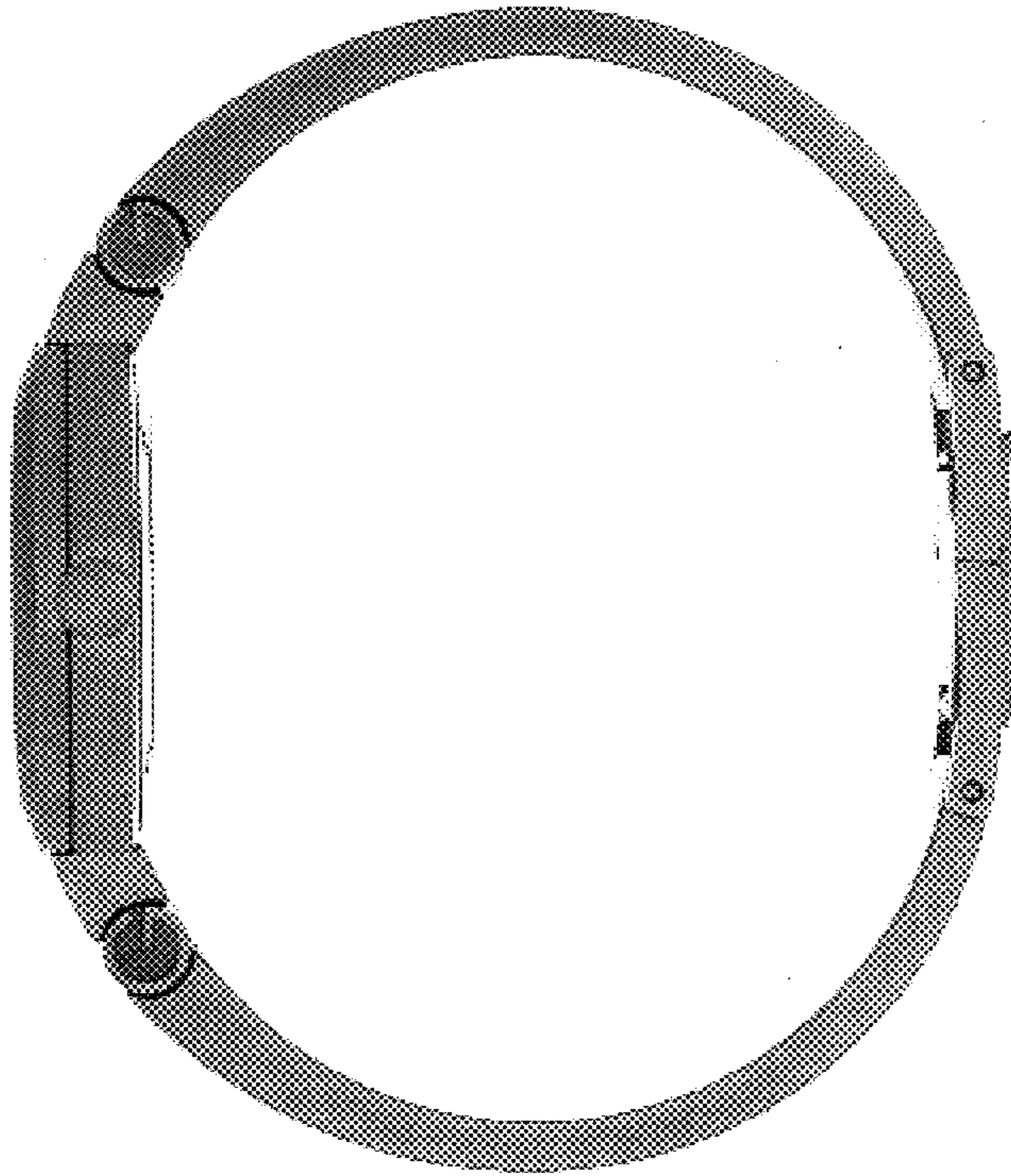


FIG. 6

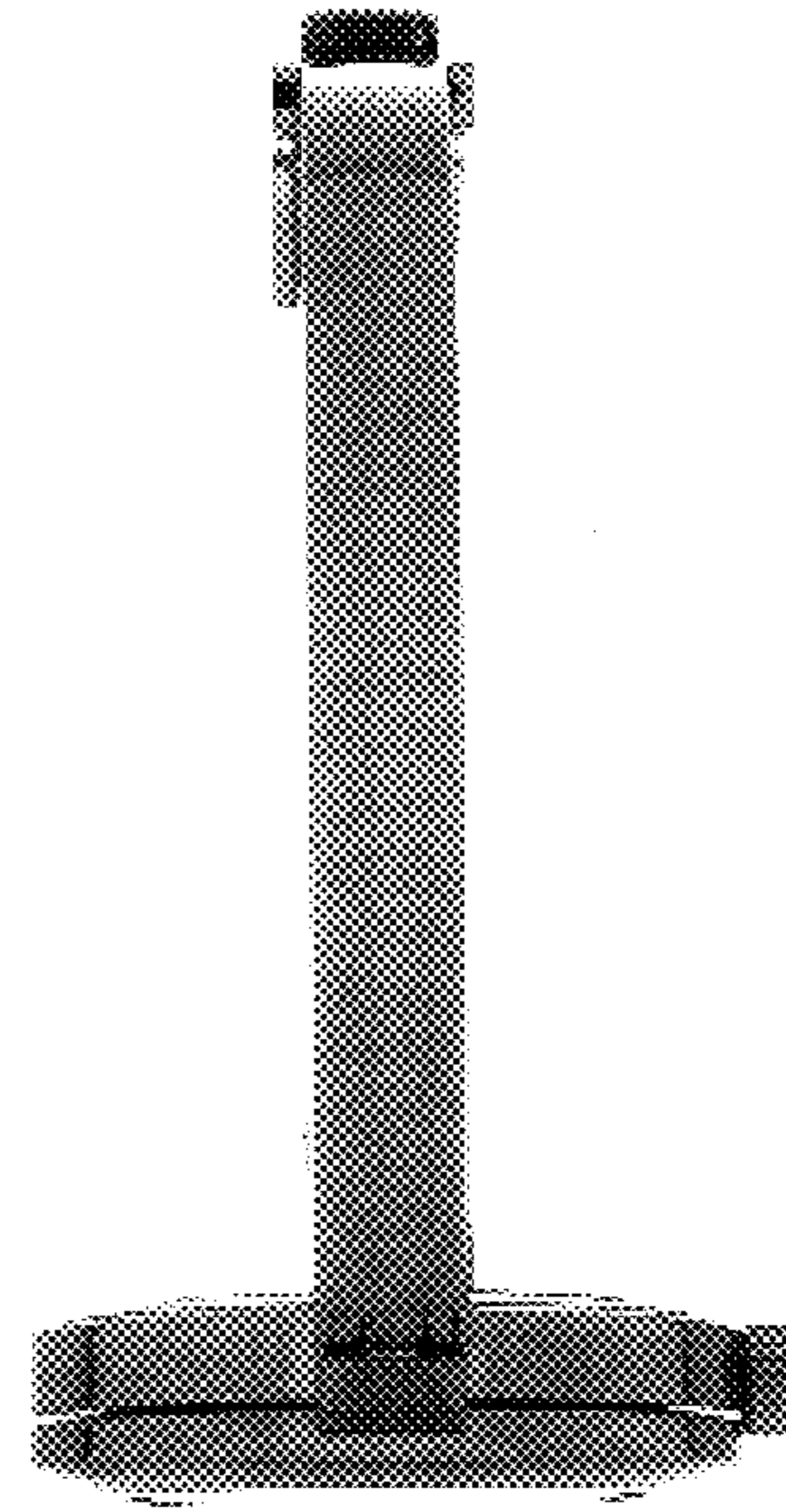


FIG. 5

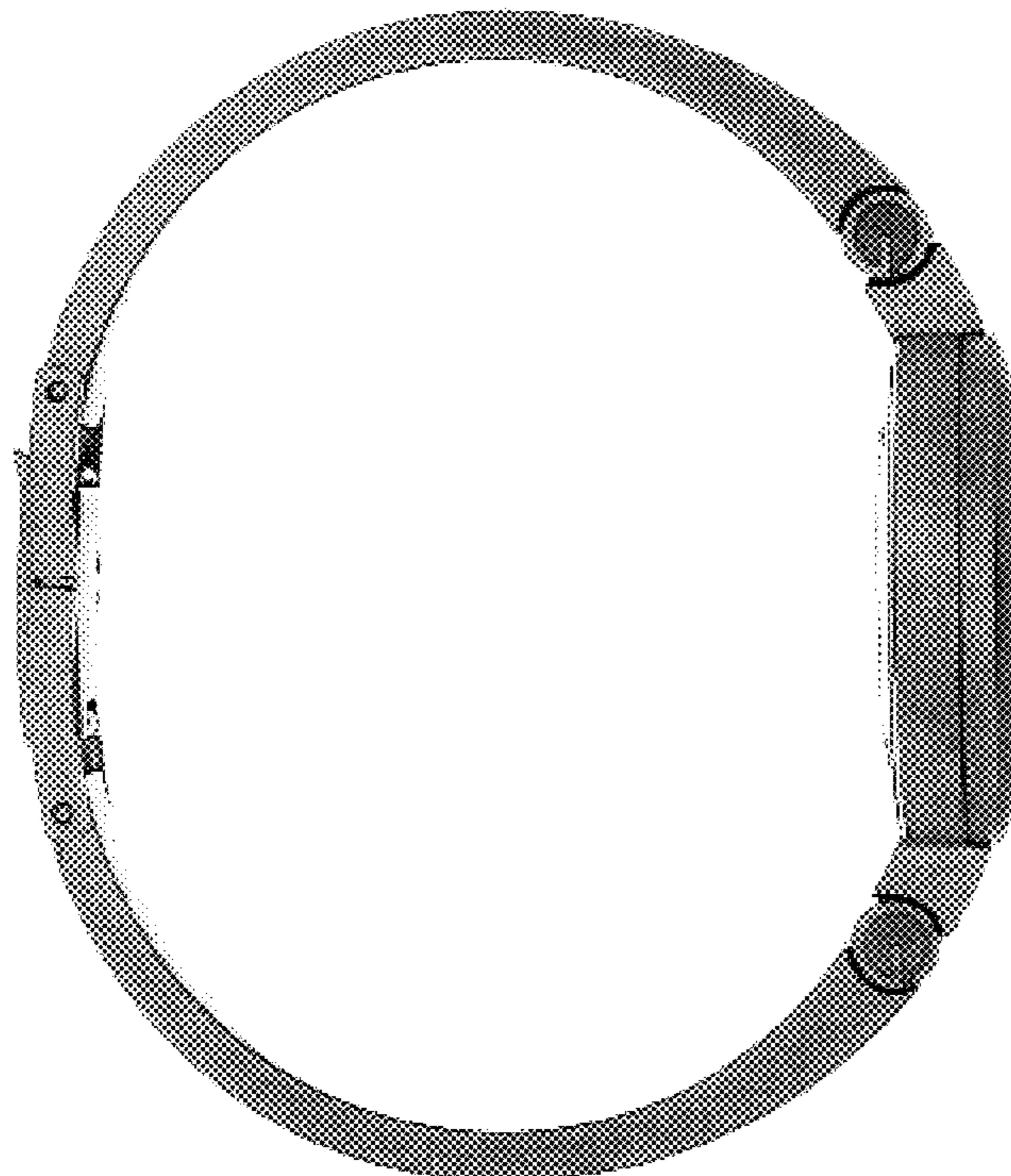


FIG. 7

