



US00D510027S

(12) **United States Design Patent** (10) **Patent No.:** **US D510,027 S**
Zboch et al. (45) **Date of Patent:** **** Sep. 27, 2005**

(54) **BOTTLE PORTION** D415,413 S * 10/1999 Cummings D9/693
D417,156 S 11/1999 Veyssiere
(75) Inventors: **Gerald Zboch**, Barrington, IL (US); D423,940 S * 5/2000 Chimetto D9/541
Tracy M. Momany, Sylvania, OH D430,036 S 8/2000 Steward et al.
(US); **Robert J. Groll**, Oregon, OH D432,018 S 10/2000 Steward
(US) D434,272 S * 11/2000 Johansen et al. D7/396.6
D447,061 S 8/2001 Peck
(73) Assignee: **Stokely-Van Camp, Inc.**, Chicago, IL D463,292 S 9/2002 Del Bianco
(US) D480,650 S * 10/2003 Moore et al. D9/540
D493,370 S * 7/2004 Kamineni et al. D9/552
(**) Term: **14 Years** D494,473 S * 8/2004 Yourist D9/516

FOREIGN PATENT DOCUMENTS

(21) Appl. No.: **29/222,489** WO DM/047535 * 3/1999
(22) Filed: **Jan. 31, 2005** WO DM/052622 * 6/2000
WO DM/059103 * 4/2001
WO DM/062865 * 1/2003

Related U.S. Application Data

(62) Division of application No. 29/190,387, filed on Sep. 19, 2003.
(51) **LOC (8) Cl.** **09-01**
(52) **U.S. Cl.** **D9/516; D9/552**
(58) **Field of Search** D9/500, 502, 516,
D9/537-541, 549-554, 556-558, 560, 563-567,
569-570, 574-575, 636, 643, 645, 655,
657-658, 661, 664-665; 215/382-384,
396, 398, 400

* cited by examiner

Primary Examiner—Carol Rademaker
(74) *Attorney, Agent, or Firm*—Lars S. Johnson; James D. Ryndak

(57) **CLAIM**

The ornamental design for a bottle portion, as shown and described.

DESCRIPTION

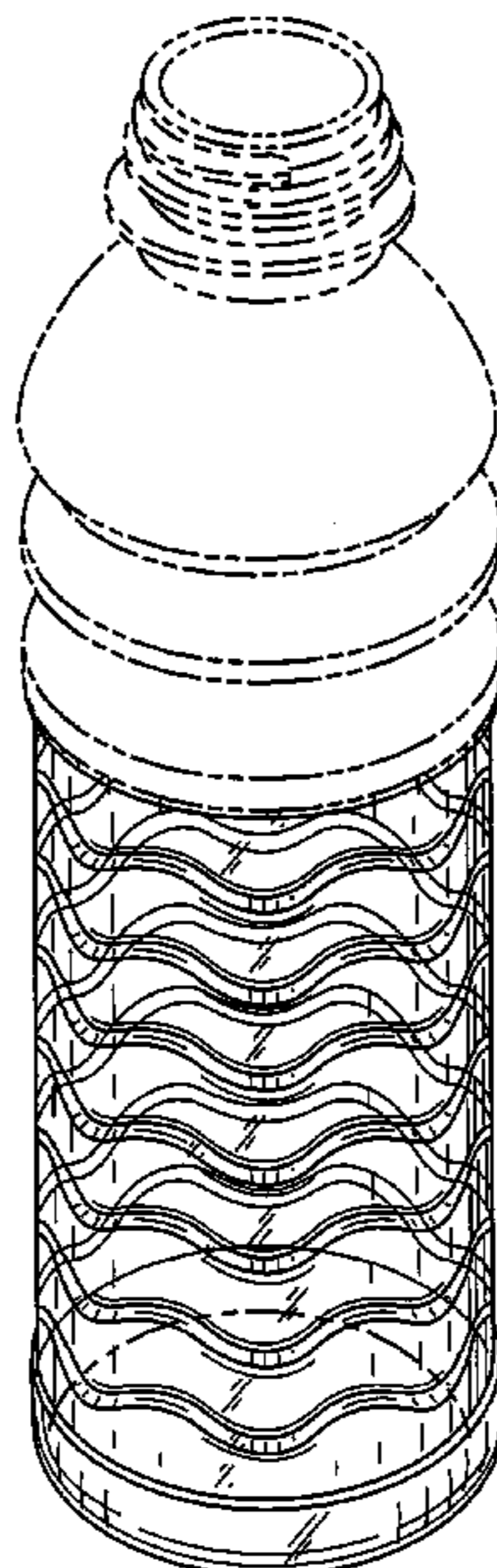
(56) **References Cited**

U.S. PATENT DOCUMENTS

D67,464 S 6/1925 Johnson
D96,106 S 7/1935 Fuerst
D104,342 S * 5/1937 Duncan D7/529
D111,212 S * 9/1938 Meyer D9/552
D179,173 S * 11/1956 Wilson D9/552
D188,133 S 6/1960 Bindman
D188,138 S * 6/1960 Bindman D9/552
D398,855 S * 9/1998 Ito D9/537
D412,085 S * 7/1999 Roush et al. D7/396.2
D414,112 S 9/1999 Waggaman et al.

FIG. 1 is a perspective view showing the new design for a bottle portion;
FIG. 2 is a front elevation view thereof, the rear elevational view being identical except for the unclaimed thread;
FIG. 3 is a left side elevation view thereof, the right side elevational view being identical except for the unclaimed thread; and,
FIG. 4 is a bottom plan view thereof.
The broken lines shown in FIGS. 1-4 are for illustrative purposes only and form no part of the claimed design.

1 Claim, 2 Drawing Sheets



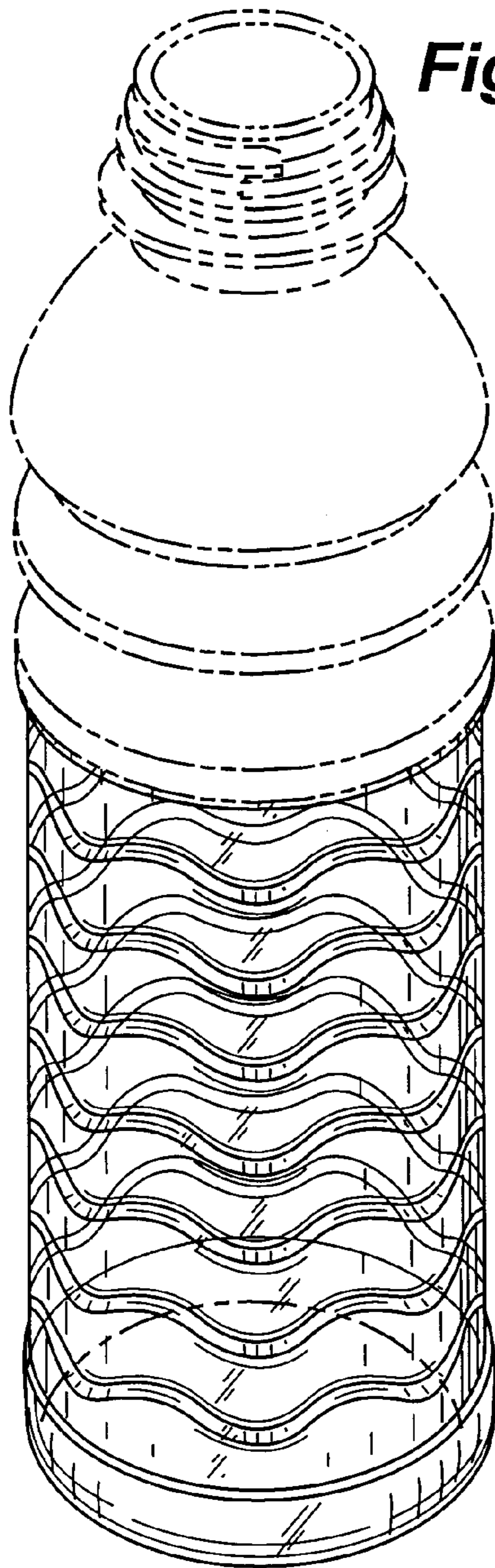


Fig. 1

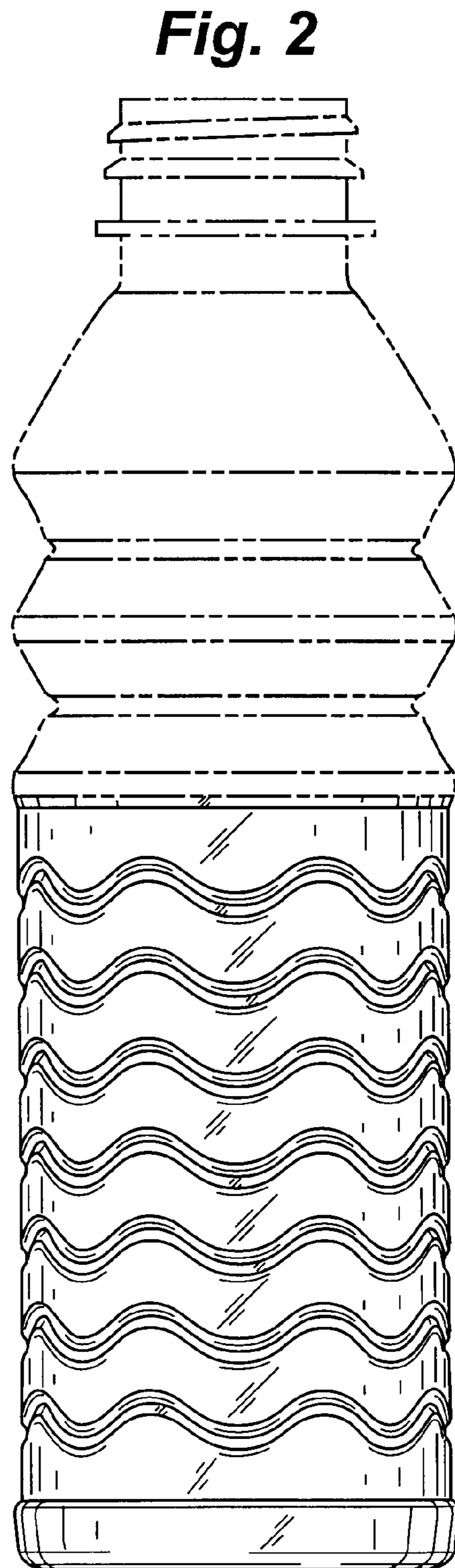


Fig. 2

Fig. 3

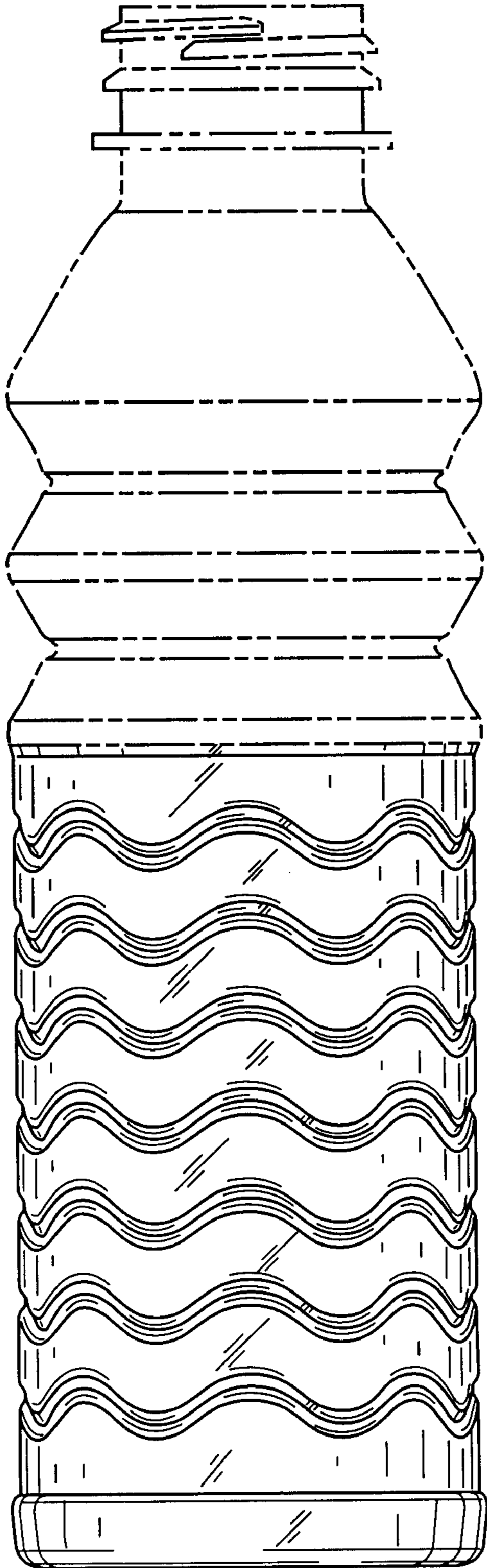


Fig. 4

