



US00D510024S

(12) **United States Design Patent** (10) **Patent No.:** **US D510,024 S**
Jacobson et al. (45) **Date of Patent:** **** Sep. 27, 2005**

(54) **METALLIC MICROWAVABLE CONTAINER**

(75) Inventors: **Mark A. Jacobson**, Arvada, CO (US);
Jason Kaanta, Pine, CO (US)

(73) Assignee: **Ball Corporation**, Broomfield, CO (US)

(**) Term: **14 Years**

(21) Appl. No.: **29/208,746**

(22) Filed: **Jul. 1, 2004**

(51) **LOC (8) Cl.** **09-01**

(52) **U.S. Cl.** **D9/502**

(58) **Field of Search** D9/500-504, 506,
D9/513, 516, 518, 529, 549, 558, 574,
414, 416, 424, 425, 428, 438; D7/428,
438; D11/152; 215/200, 208, 213, 224,
241, 242, 253, 254, 274, 316, 385, 387,
392

(56) **References Cited**

U.S. PATENT DOCUMENTS

3,219,460 A	11/1965	Brown	99/192
D221,418 S	* 8/1971	Kinney	D9/428
3,854,023 A	12/1974	Levinson	219/10.55
3,941,967 A	3/1976	Sumi et al.	219/10.55
4,046,282 A	9/1977	Ruch	220/270
4,081,646 A	3/1978	Gottso	219/10.55
D248,216 S	* 6/1978	Allen et al.	D9/503
D250,397 S	* 11/1978	Christian	D9/500
D253,580 S	* 12/1979	Mascia	D9/503
D253,635 S	* 12/1979	Mascia	D9/503
4,190,757 A	2/1980	Turpin et al.	219/10.55
4,228,916 A	10/1980	Weingardt	220/354
4,351,997 A	9/1982	Mattisson et al.	219/10.55
4,388,335 A	6/1983	Schiffman et al.	426/243
4,438,850 A	3/1984	Kahn	206/634
D280,600 S	* 9/1985	Earl	D9/503
4,558,198 A	12/1985	Levendusky et al.	219/10.55
4,560,850 A	12/1985	Levendusky et al.	219/10.55
4,641,005 A	2/1987	Seiferth	219/10.55
4,656,325 A	4/1987	Keefer	219/10.55
4,689,458 A	8/1987	Levendusky et al.	219/10.55

RE32,739 E	8/1988	Terands	220/306
D297,709 S	* 9/1988	Willerup	D9/549
4,814,568 A	3/1989	Keefer	219/10.55
4,875,597 A	10/1989	Saunders	220/458
4,988,013 A	1/1991	Kobayashi et al.	220/276
5,230,914 A	7/1993	Akervik	426/107
5,246,134 A	9/1993	Roth et al.	220/359
D353,094 S	* 12/1994	Labrie	D9/428
5,725,120 A	3/1998	Ramsey et al.	220/276
5,961,872 A	10/1999	Simon et al.	219/729
6,213,328 B1	4/2001	Tiramani et al.	220/428

FOREIGN PATENT DOCUMENTS

CN	1395899	2/2003	A47J/36/02
EP	0344839	12/1989	H05B/6/64
EP	0487166	5/1992	H05B/6/64
EP	0875370	11/1998	B32B/15/08
JP	05229558	9/1993	B65D/8/20
JP	05305935	11/1993	B65D/8/20
JP	08085546	4/1996	B65D/8/20
JP	2001247157	9/2001	B65D/65/40
WO	WO 9611142	4/1996	B65D/1/34
WO	WO 0041935	7/2000	
WO	WO 04033324	4/2004	B65D/81/34

* cited by examiner

Primary Examiner—Nanda Bondade
Assistant Examiner—Shanda C. Hill
(74) *Attorney, Agent, or Firm*—Sheridan Ross P.C.

(57) **CLAIM**

The ornamental design for a metallic microwavable container, as shown and described.

DESCRIPTION

FIG. 1 is a perspective view of a metallic microwavable container, showing our new design;
FIG. 2 is a top plan view thereof;
FIG. 3 is a front elevational view thereof;
FIG. 4 is a bottom plan view thereof; and,
FIG. 5 is an exploded perspective view thereof.
The broken line portions of the disclosure are for illustrative purposes only and form no part of the claimed design.

1 Claim, 2 Drawing Sheets

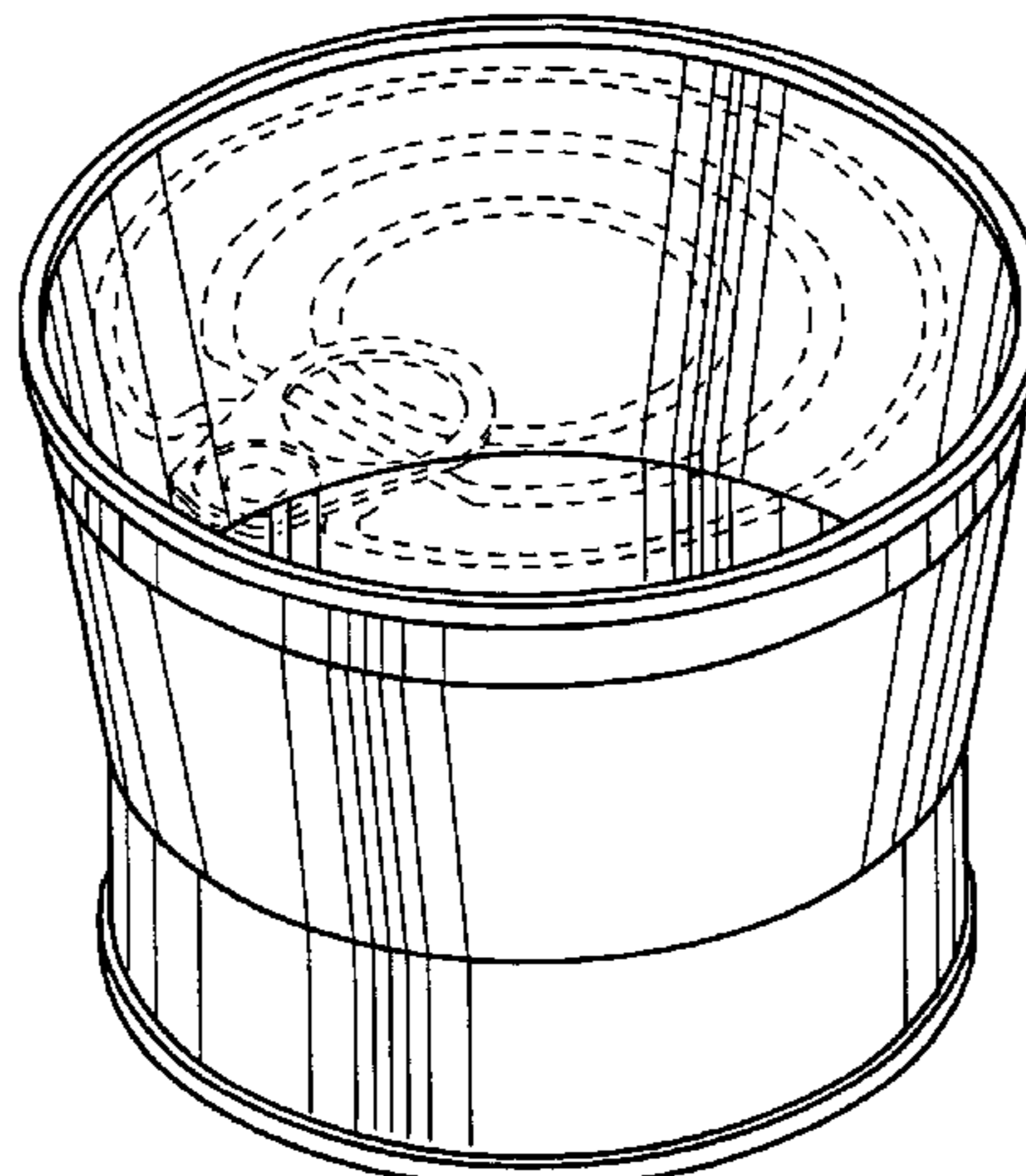


Fig. 1

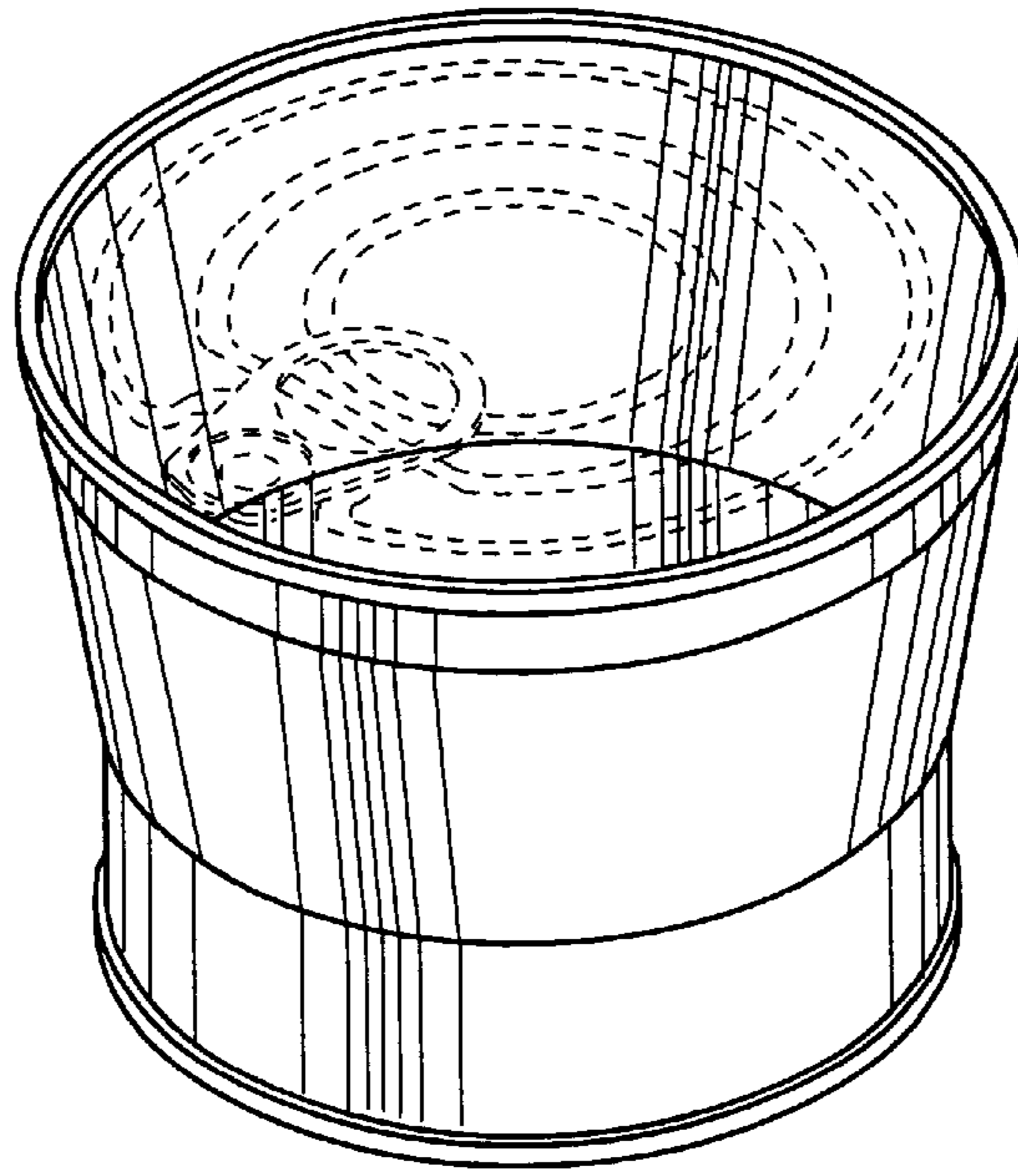


Fig. 2

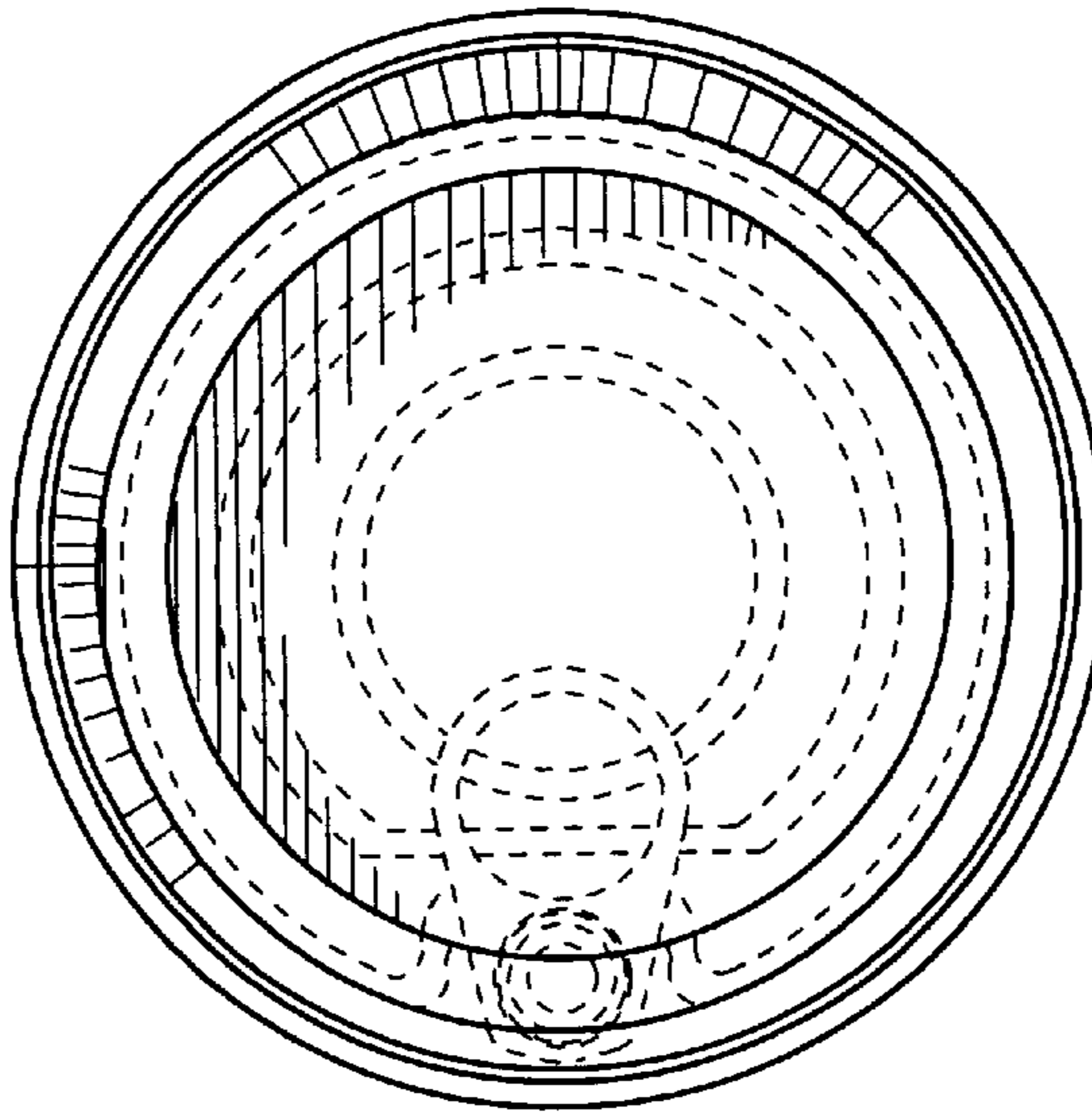


Fig. 3

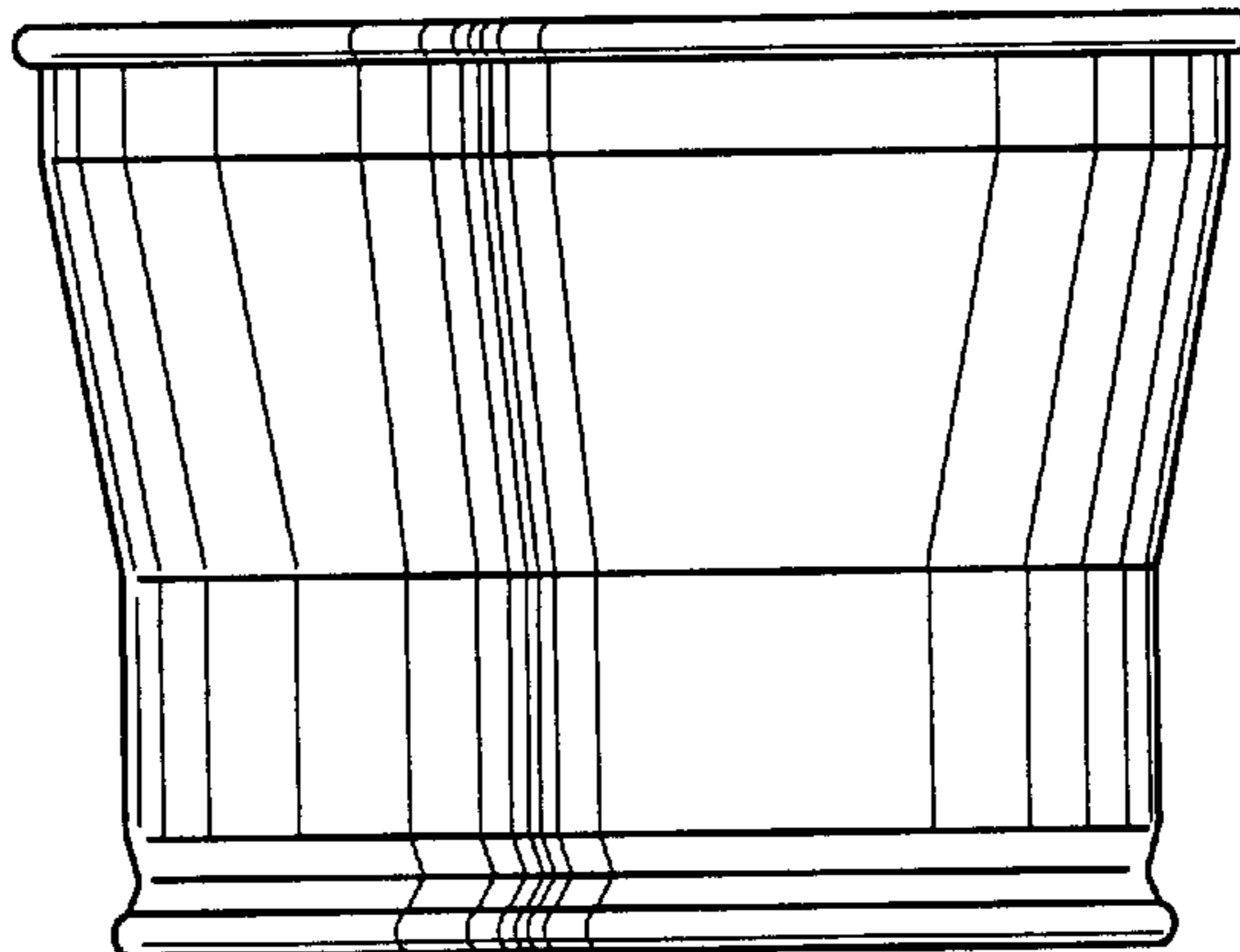


Fig. 4

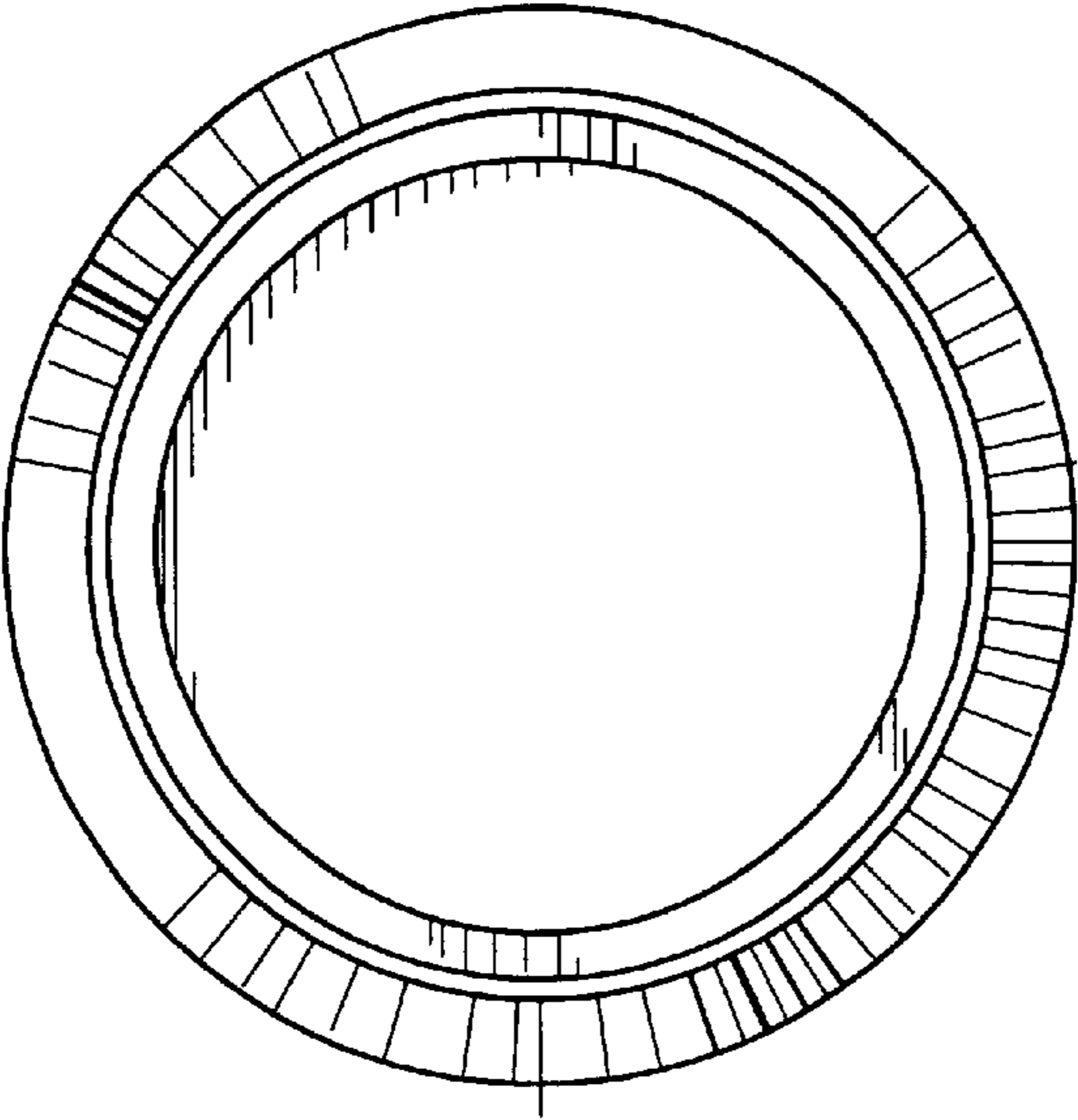


Fig. 5

