

US00D510020S

(12) **United States Design Patent**  
**Williams**

(10) **Patent No.:** **US D510,020 S**  
(45) **Date of Patent:** **\*\* Sep. 27, 2005**

(54) **LUG NUT WITH EMBEDDED BULLET**

D460,347 S \* 7/2002 Berry ..... D8/382  
D469,345 S \* 1/2003 Berry et al. .... D8/397

(76) **Inventor:** **Robert H. Williams**, 6223 Toronto St.,  
Dallas, TX (US) 75212

\* cited by examiner

(\*\*) **Term:** **14 Years**

*Primary Examiner*—Gary D. Watson  
*Assistant Examiner*—T. Chase Nelson  
(74) *Attorney, Agent, or Firm*—James E. Walton

(21) **Appl. No.:** **29/195,173**

(22) **Filed:** **Dec. 8, 2003**

(57) **CLAIM**

(51) **LOC (8) Cl.** ..... **08-08**

The ornamental design for a lug nut with embedded bullet,  
as shown and described.

(52) **U.S. Cl.** ..... **D8/397**

(58) **Field of Search** ..... D8/382, 387, 397,  
D8/398, 399; 411/81, 98, 103, 106, 145,  
146, 172, 179, 197, 204, 248, 337, 338,  
368, 371.2, 372.5, 418, 427, 429, 430,  
431, 432, 436, 437, 500, 511, 512, 514,  
531, 532, 533, 535, 536, 537, 538, 542,  
544, 918, 928; 70/229; 301/35.623, 111.01;  
D22/116

**DESCRIPTION**

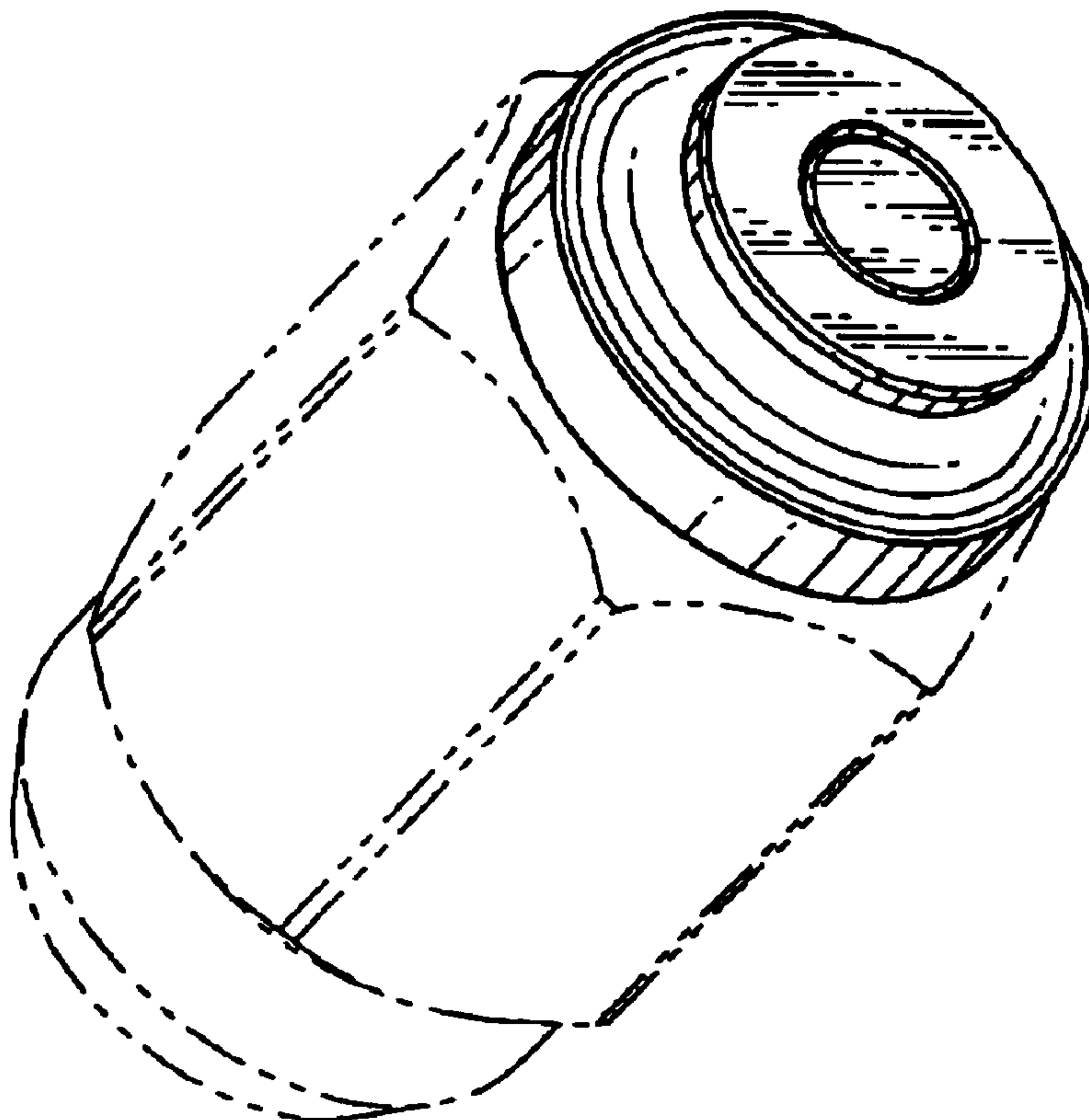
FIG. 1 is a perspective view of the lug nut with embedded bullet according to the present invention.  
FIG. 2 is a front view of the lug nut with embedded bullet according to the present invention. The rear view, right side view, and left side view are identical to the front view.  
FIG. 3 is a top view of the lug nut with embedded bullet according to the present invention; and,  
FIG. 4 is a bottom side view of the lug nut with embedded bullet according to the present invention.  
The broken lines in all views are for illustrative purposes only and form no part of the claimed design.

(56) **References Cited**

**U.S. PATENT DOCUMENTS**

D268,565 S \* 4/1983 Mortus ..... D8/397  
D449,515 S \* 10/2001 Sato ..... D8/399

**1 Claim, 1 Drawing Sheet**



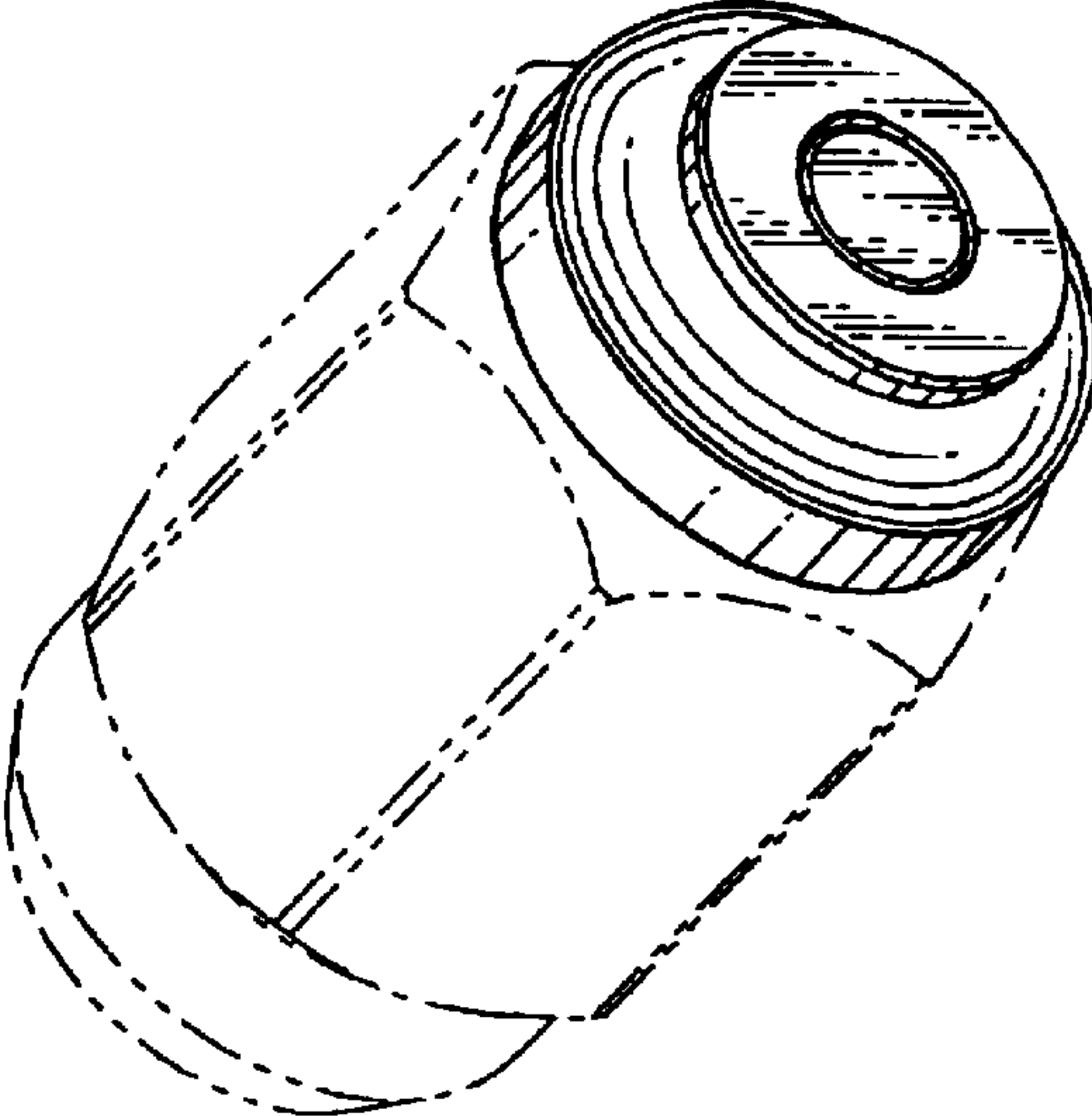


Fig. 1

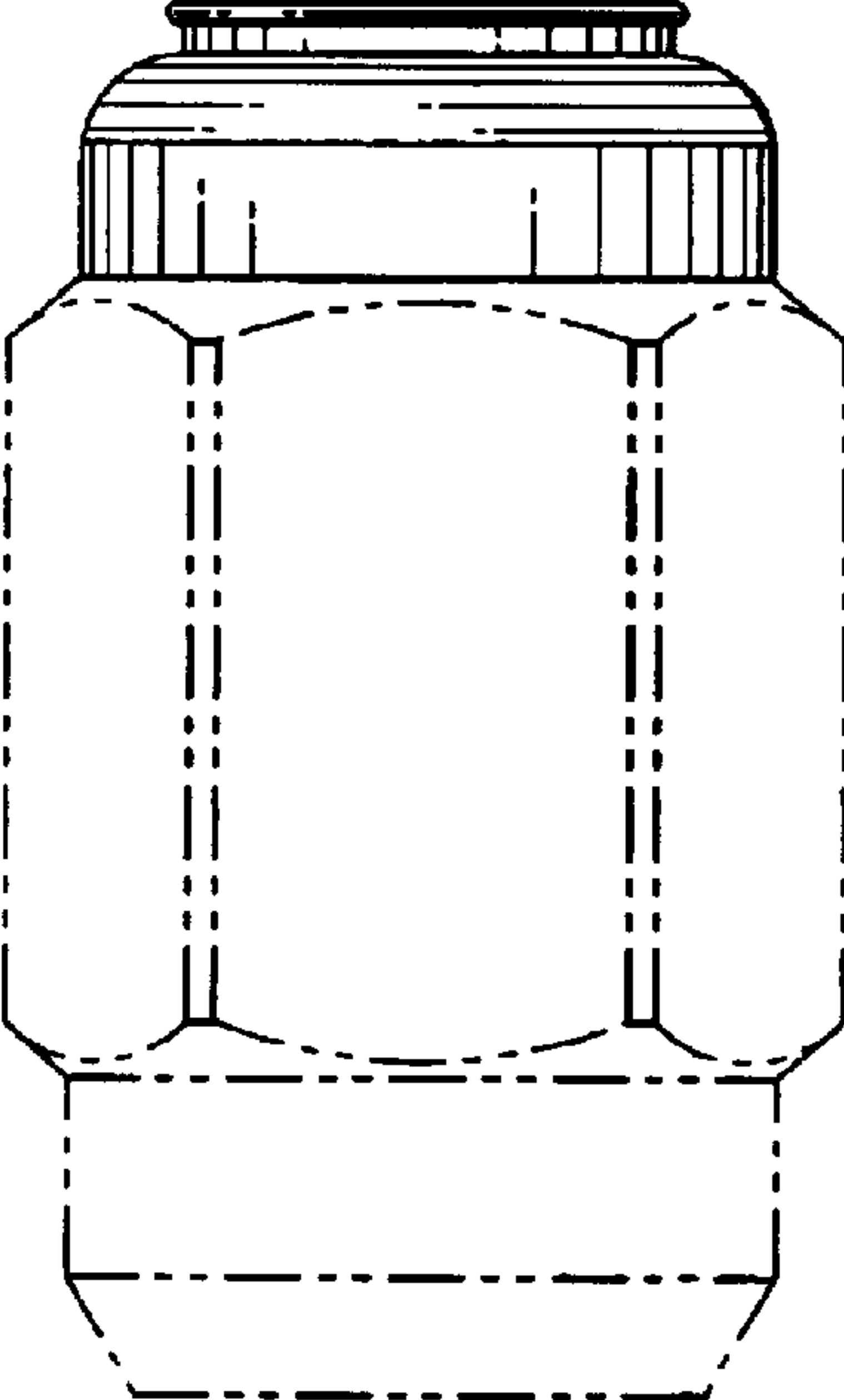


Fig. 2

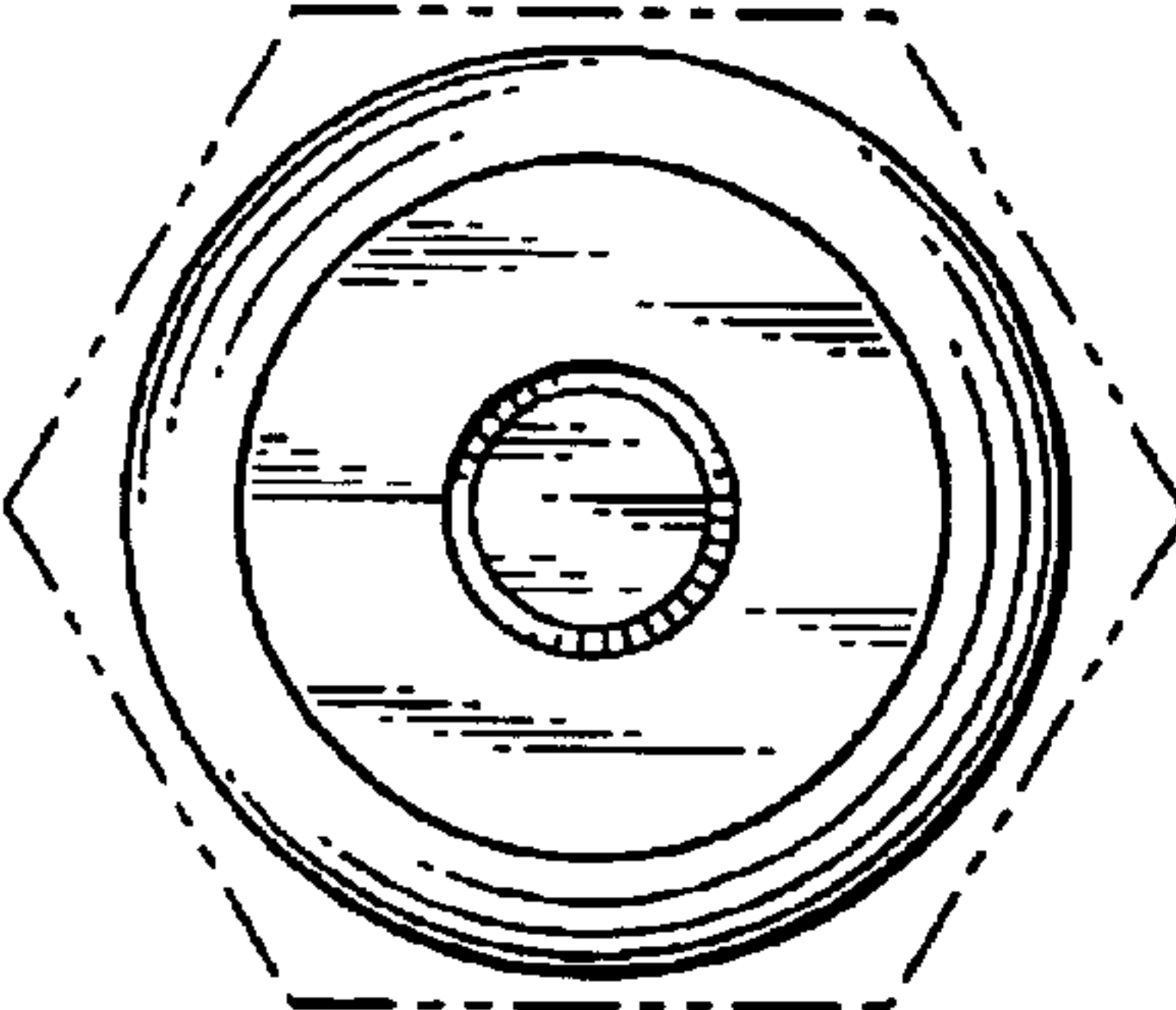


Fig. 3

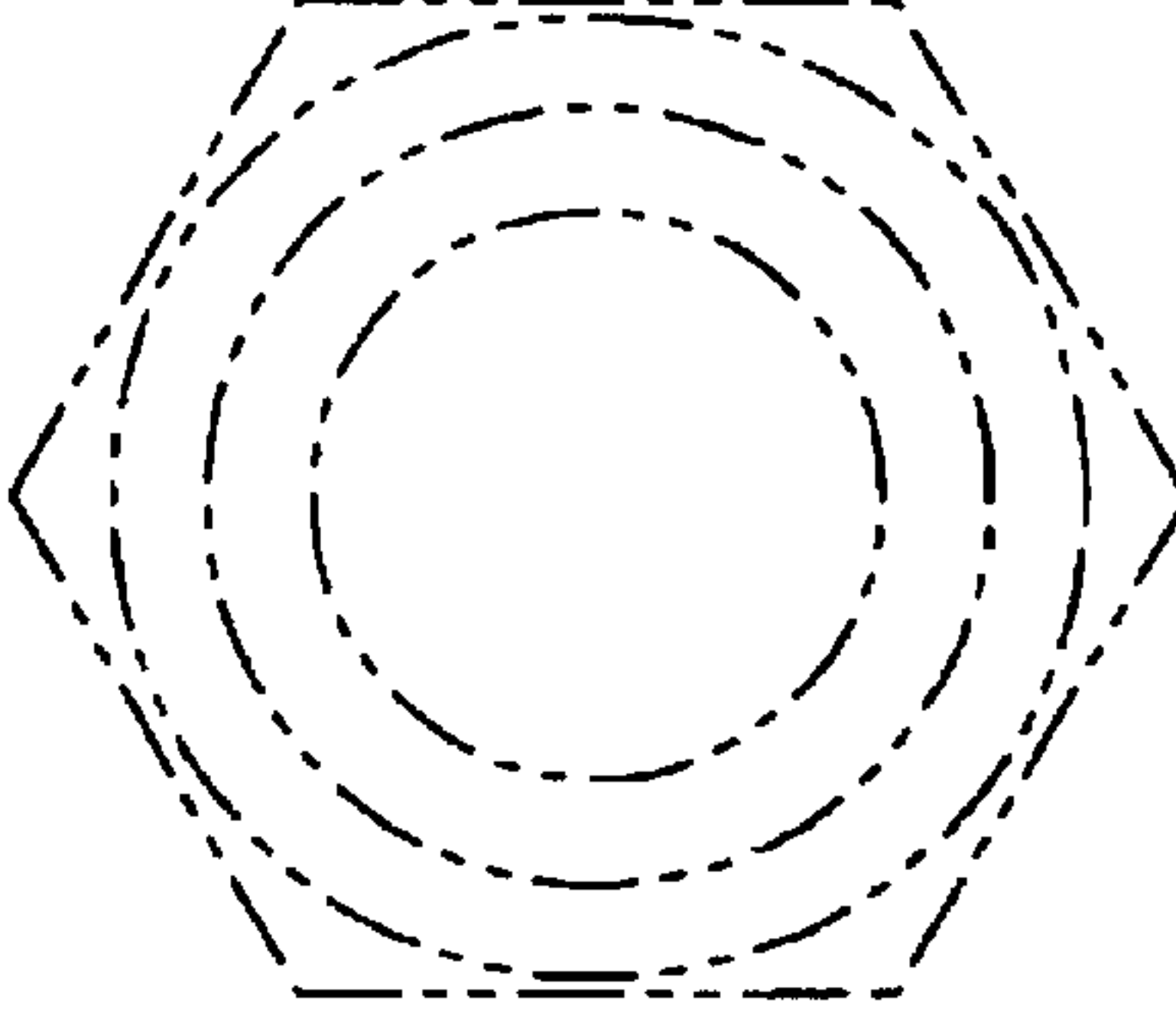


Fig. 4