



US00D510017S

(12) **United States Design Patent**
Messina

(10) **Patent No.:** **US D510,017 S**
(45) **Date of Patent:** **** Sep. 27, 2005**

(54) **CLAMP FOR TUBULAR STRUCTURES AND THE LIKE**

(75) **Inventor:** **Mark Anthony Messina**, Manchester, NH (US)

(73) **Assignee:** **Gen-Probe Incorporated**, San Diego, CA (US)

(**) **Term:** **14 Years**

(21) **Appl. No.:** **29/189,109**

(22) **Filed:** **Aug. 29, 2003**

(51) **LOC (8) Cl.** **08-08**

(52) **U.S. Cl.** **D8/395; D8/396**

(58) **Field of Search** D11/354-356, D11/371, 394-396; 24/16 R, 22, 67 R, 20 S, 115 R, 546, 563, 343; 248/49, 51, 62, 72.2, 74.1-74.3, 316.1, 316.7

(56) **References Cited**

U.S. PATENT DOCUMENTS

894,216 A	7/1908	Kitzmilller	
1,496,654 A	6/1924	Crowther	
1,569,457 A	1/1926	Carstens	
1,644,901 A	10/1927	Stieglitz	
2,479,634 A	8/1949	Marques et al.	
2,578,812 A	12/1951	Kollsmann	
4,153,056 A	5/1979	Silver et al.	
4,252,289 A	* 2/1981	Herb	248/62
4,505,010 A	3/1985	Arenhold	
4,592,746 A	6/1986	Burkholder et al.	
4,711,637 A	12/1987	Leigh et al.	
4,874,385 A	10/1989	Moran et al.	
4,901,963 A	2/1990	Yoder	
5,014,939 A	5/1991	Kraus et al.	

D328,845 S	8/1992	Yoder	
5,219,099 A	6/1993	Spence et al.	
5,385,558 A	1/1995	Cottone, Sr. et al.	
5,474,268 A	* 12/1995	Yu	248/61
D366,410 S	* 1/1996	Schlabach	D8/395
5,782,090 A	* 7/1998	Locke	60/397
5,881,438 A	3/1999	Capanna	
D447,936 S	* 9/2001	Kacines	D8/394
D484,783 S	* 1/2004	Woodhall	D8/395
2004/0049892 A1	3/2004	Messina	

FOREIGN PATENT DOCUMENTS

CH	269995 A	8/1950
FR	2278006 A	2/1976
GB	1297794	11/1972

* cited by examiner

Primary Examiner—Louis S. Zarfes
Assistant Examiner—John Windmuller

(74) *Attorney, Agent, or Firm*—Rothwell, Figg, Ernst & Manbeck, P.C.; Charles B. Cappellari, Esq.

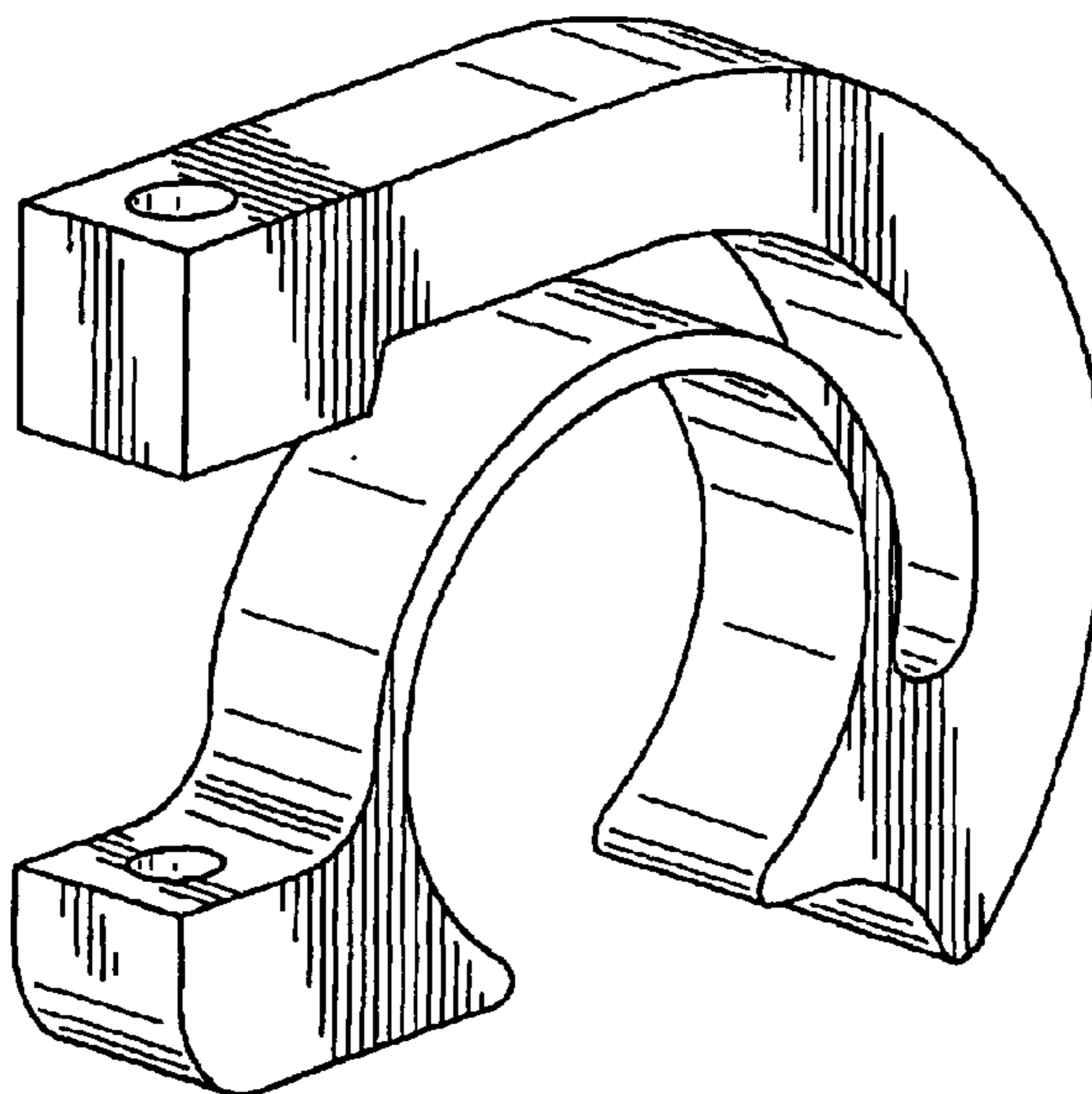
(57) **CLAIM**

The ornamental design for a clamp for tubular structures and the like, as shown and described.

DESCRIPTION

FIG. 1 is a perspective view of the clamp for tubular structures and the like showing our new design; FIG. 2 is a front elevational view thereof, the rear elevational view being a mirror image thereof; FIG. 3 is a top plan view thereof; FIG. 4 is a bottom plan view thereof; FIG. 5 is a left side view thereof; and, FIG. 6 is a right side view thereof.

1 Claim, 2 Drawing Sheets



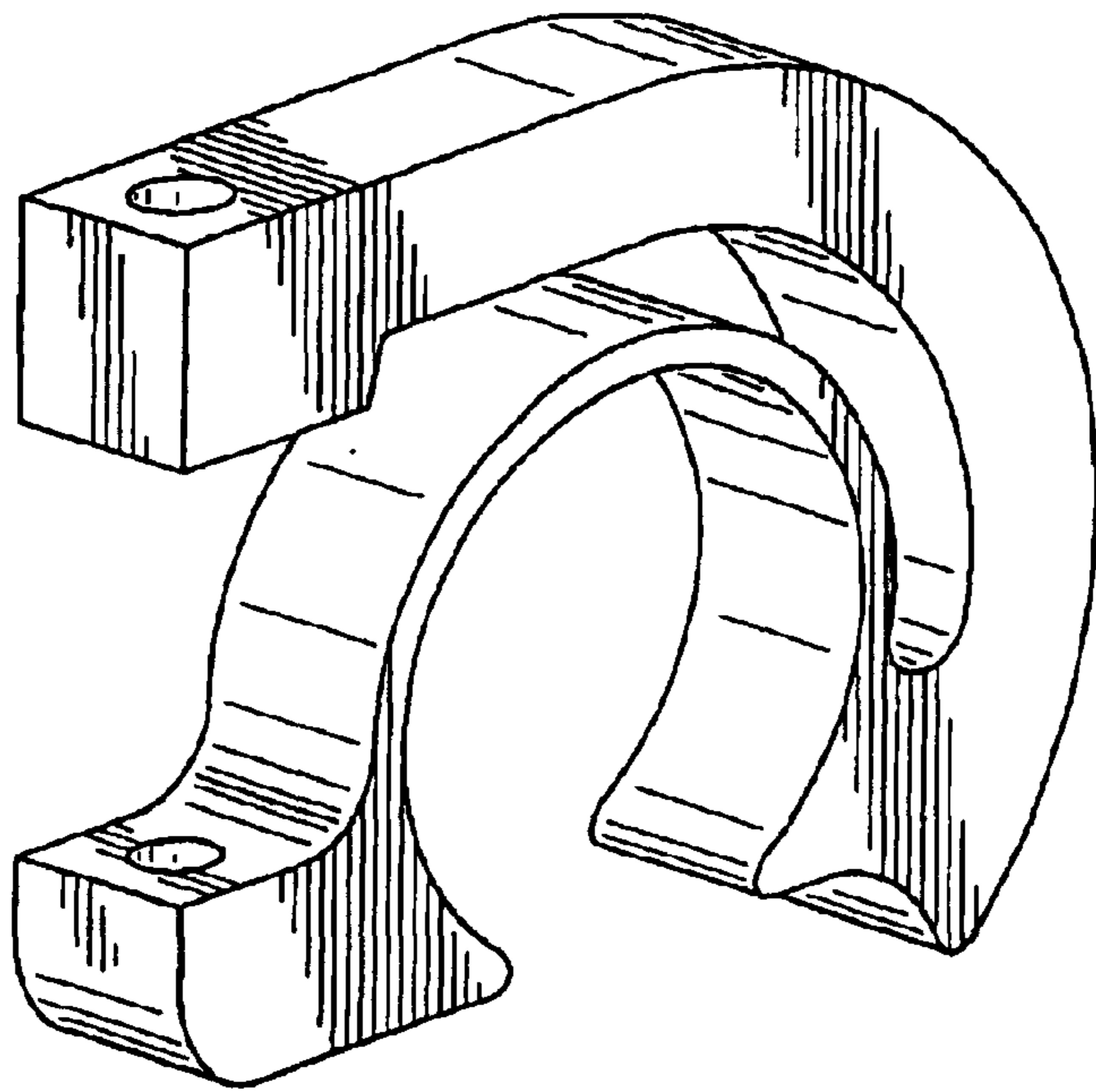


FIG. 1

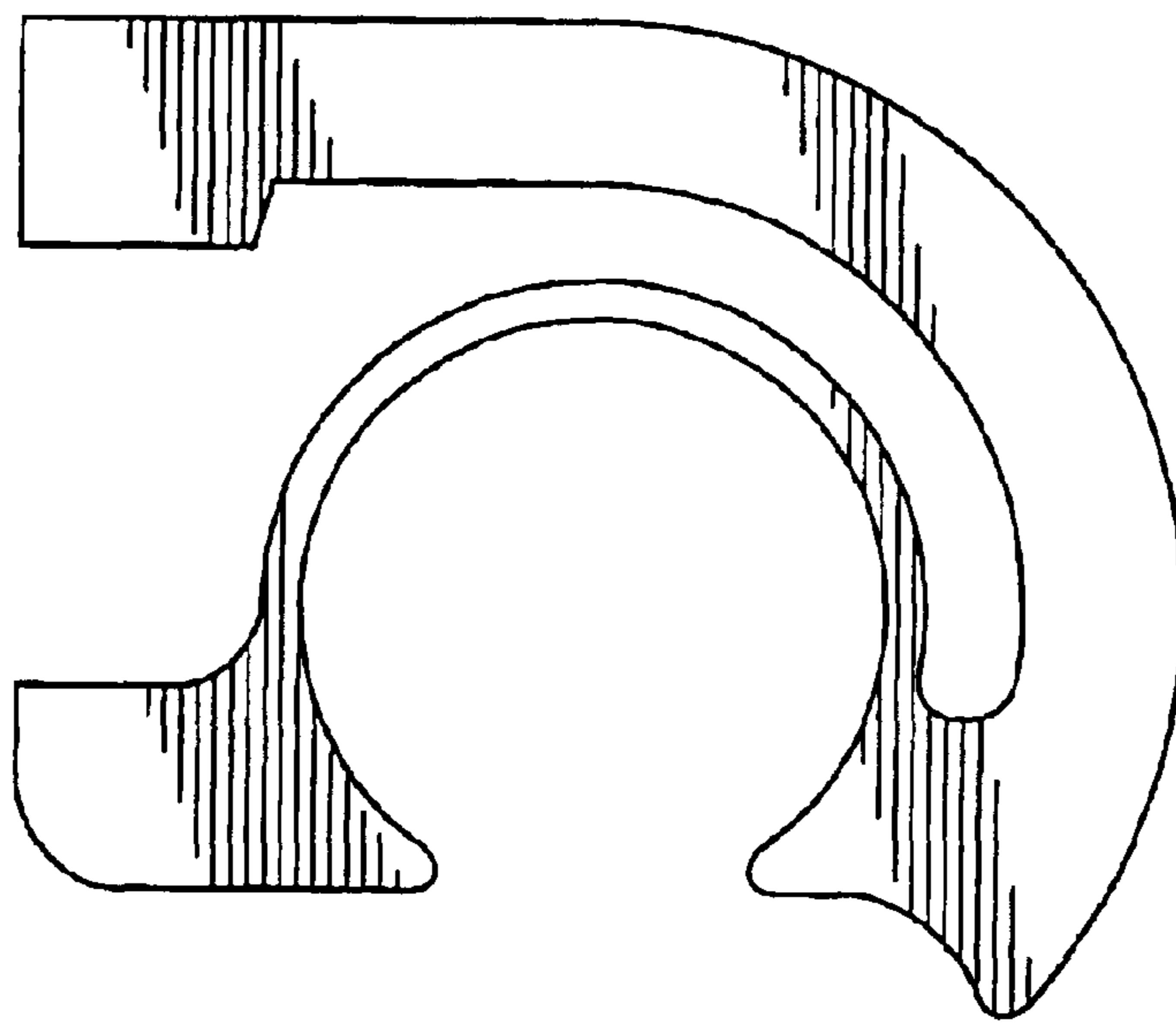


FIG. 2



FIG. 3

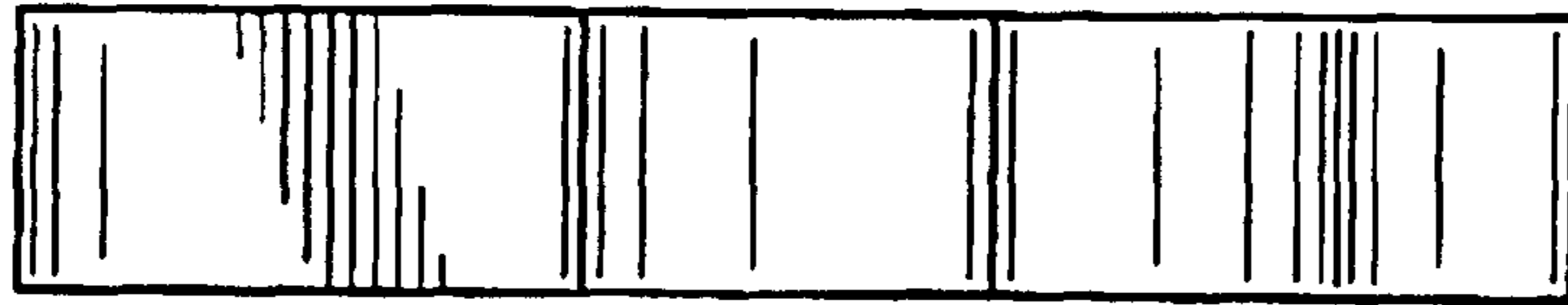


FIG. 4

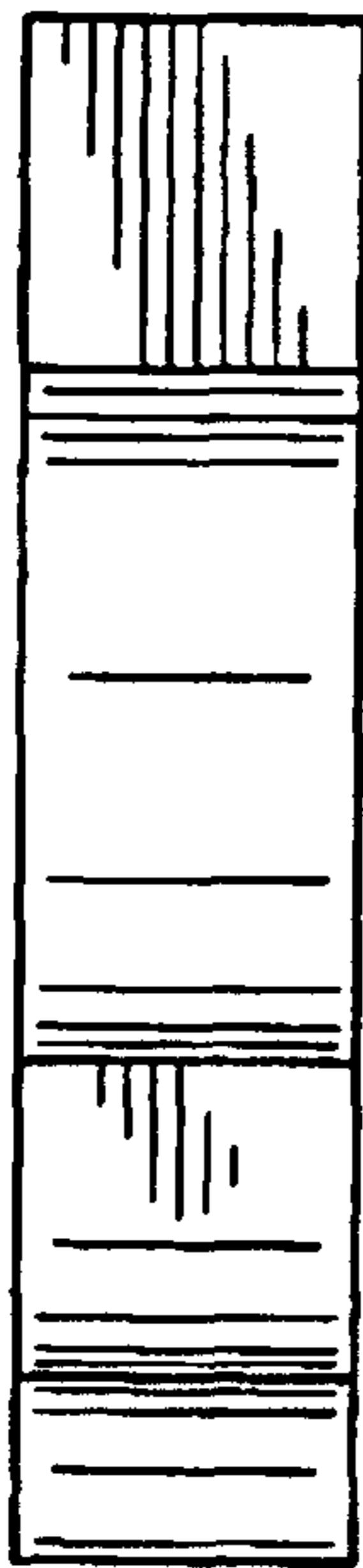


FIG. 5

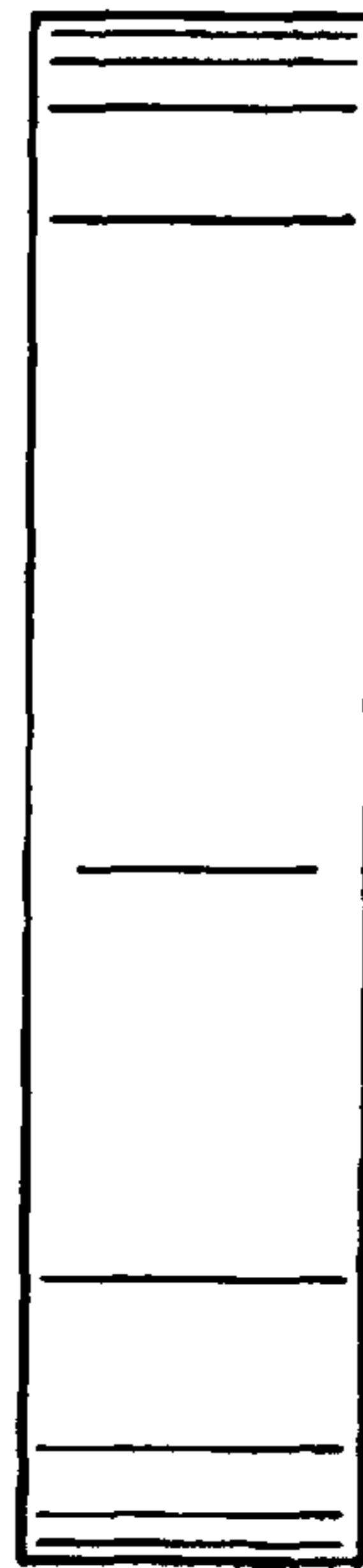


FIG. 6