



US00D510014S

(12) **United States Design Patent**
Sung

(10) **Patent No.:** **US D510,014 S**

(45) **Date of Patent:** **** Sep. 27, 2005**

(54) **MULTI-TIERED BRACKET ASSEMBLY FOR HANGING DISPLAY DEVICES ONTO VERTICAL SURFACES**

Primary Examiner—Brian N. Vinson
(74) *Attorney, Agent, or Firm*—Jerry H. Noh

(76) **Inventor:** **Robbin Sung**, 1528 W. Olympic St.,
Los Angeles, CA (US) 90015

(**) **Term:** **14 Years**

(57) **CLAIM**

The ornamental design for a multi-tiered bracket assembly for hanging display devices onto vertical surfaces, as shown and described.

(21) **Appl. No.:** **29/172,755**

(22) **Filed:** **Dec. 18, 2002**

DESCRIPTION

(51) **LOC (8) Cl.** **08-08**

(52) **U.S. Cl.** **D8/367**

(58) **Field of Search** D8/367, 363, 370;
248/302, 303-4, 339, 309.1; D6/523, 367,
323; 242/598.2, 598.5

FIG. 1 is a top perspective view of a multi-tiered bracket assembly for hanging display devices onto vertical surfaces showing my new design;

FIG. 2 is a left side elevational view of multi-tiered bracket assembly for hanging display devices onto vertical surfaces with the right side being a mirror image thereof;

FIG. 3 is a front view thereof;

FIG. 4 is a bottom plan view thereof; and,

FIG. 5 is a top perspective view of a second embodiment of the multi-tiered bracket assembly for hanging display devices onto vertical surfaces.

The broken line showing of environment in FIG. 1 is for illustrative purposes only and forms no part of the claimed design.

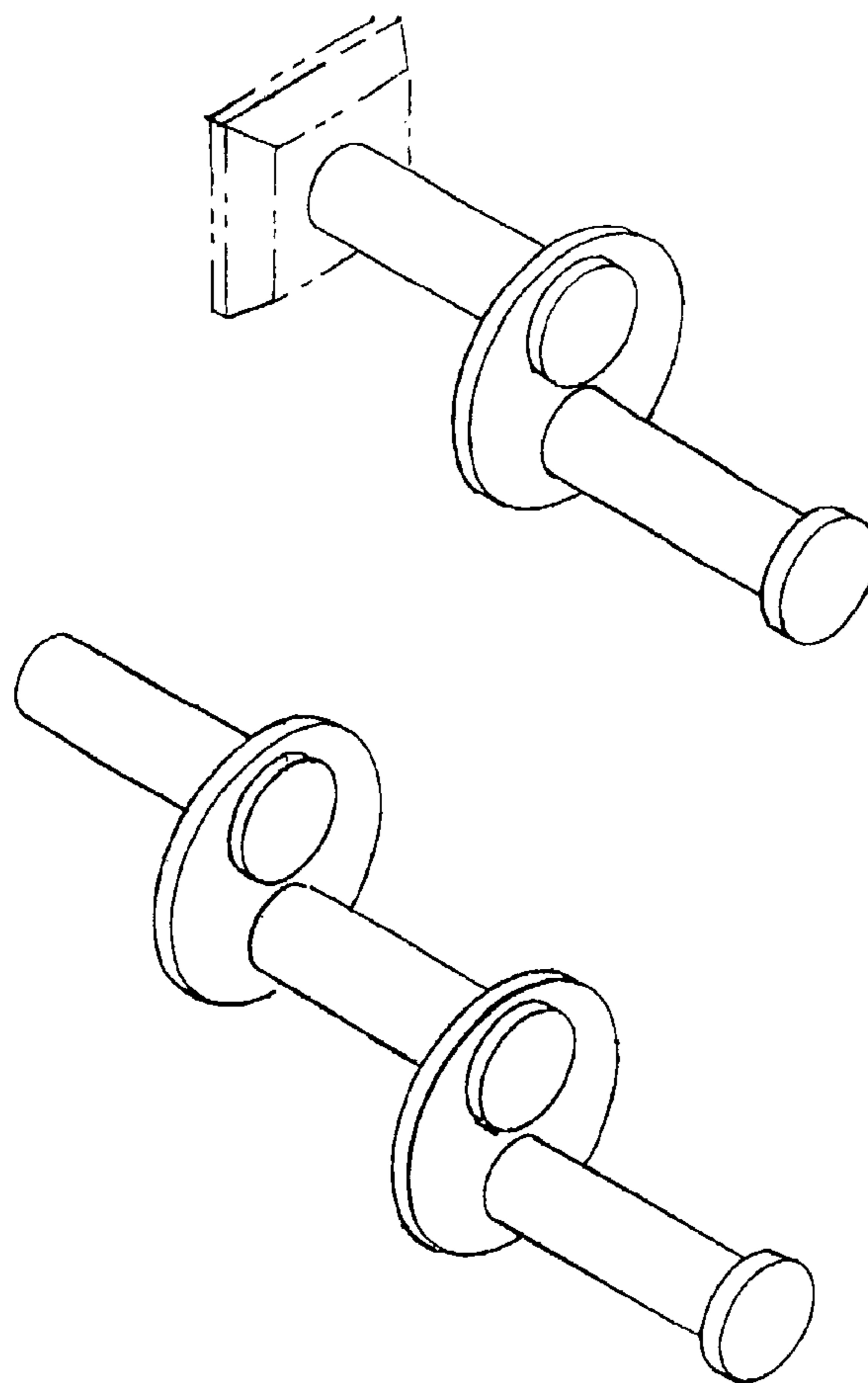
(56) **References Cited**

U.S. PATENT DOCUMENTS

1,961,935	A	*	6/1934	Knapp	248/304
2,529,420	A	*	11/1950	Ramquist	D6/523 X
3,589,634	A	*	6/1971	Mason	242/598.2
D281,838	S	*	12/1985	Thompson	D6/323
4,824,038	A	*	4/1989	Chandler	242/598.2
D304,402	S	*	11/1989	Hoose	D6/523
D477,167	S	*	7/2003	Hoernig	D6/523

* cited by examiner

1 Claim, 1 Drawing Sheet



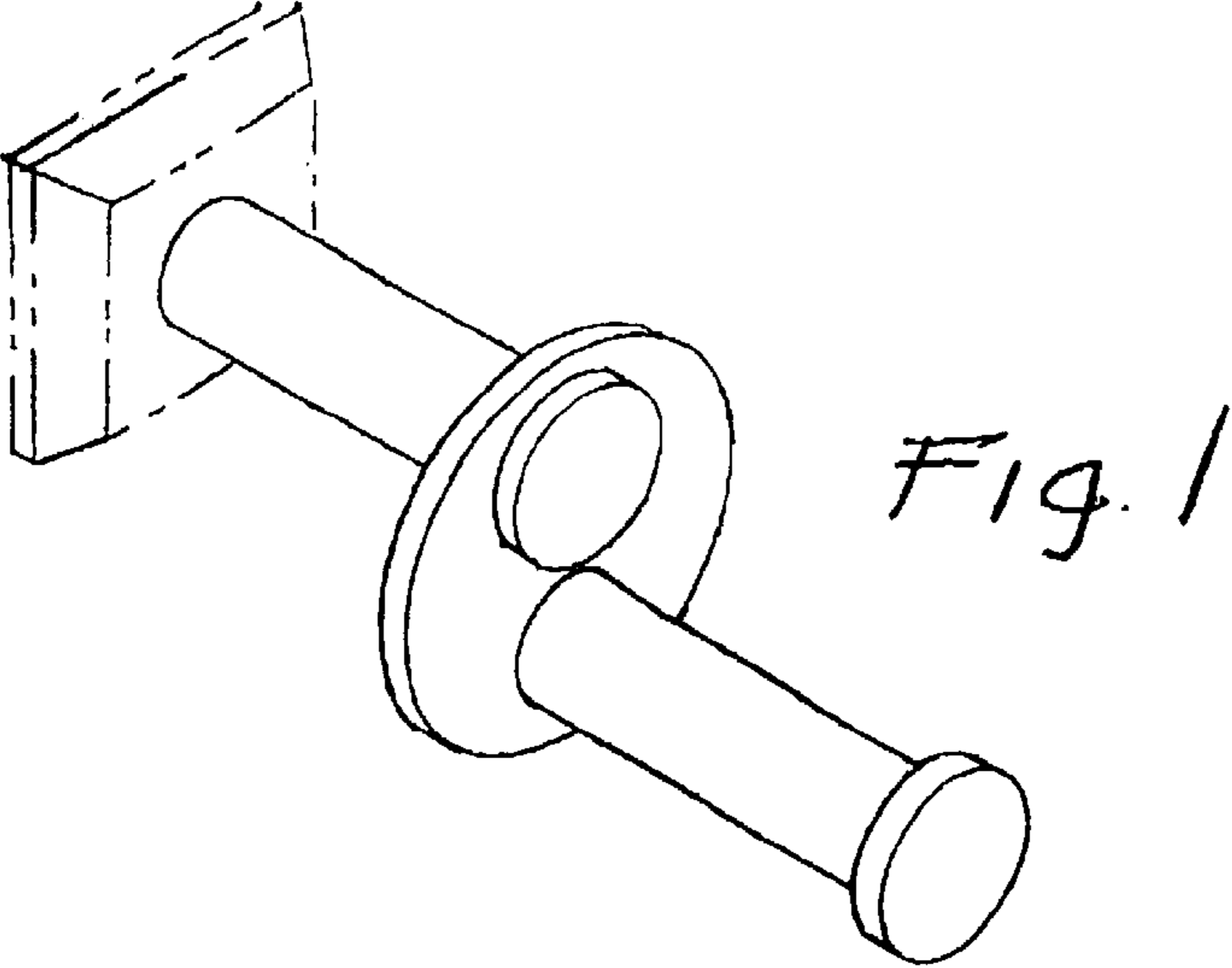


Fig. 1

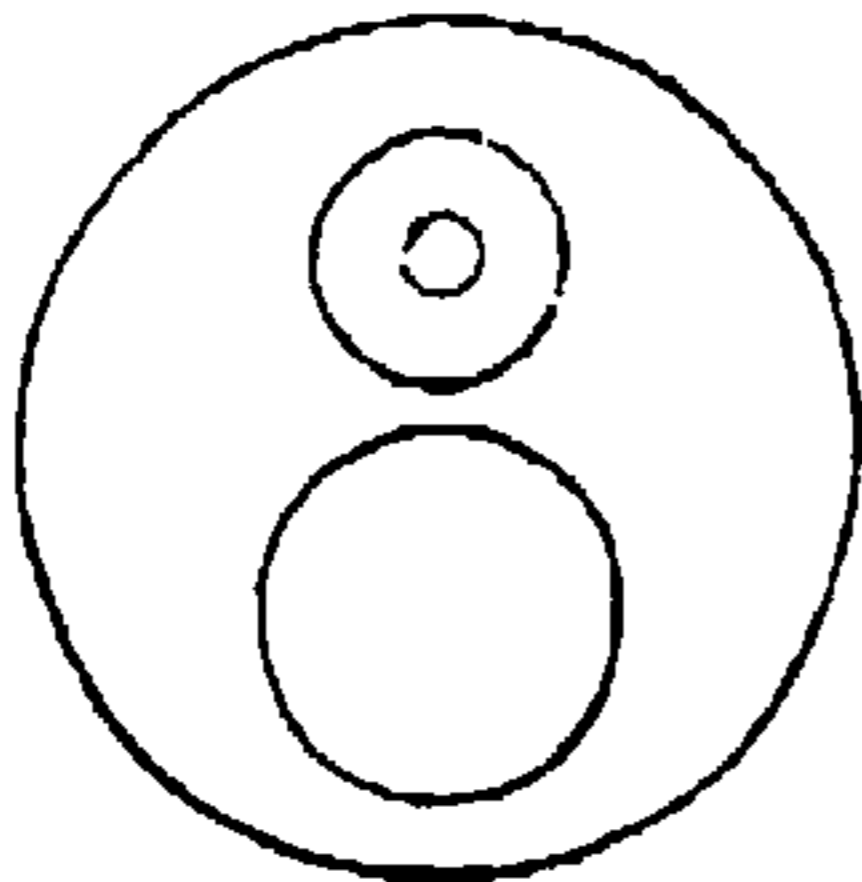


Fig. 3

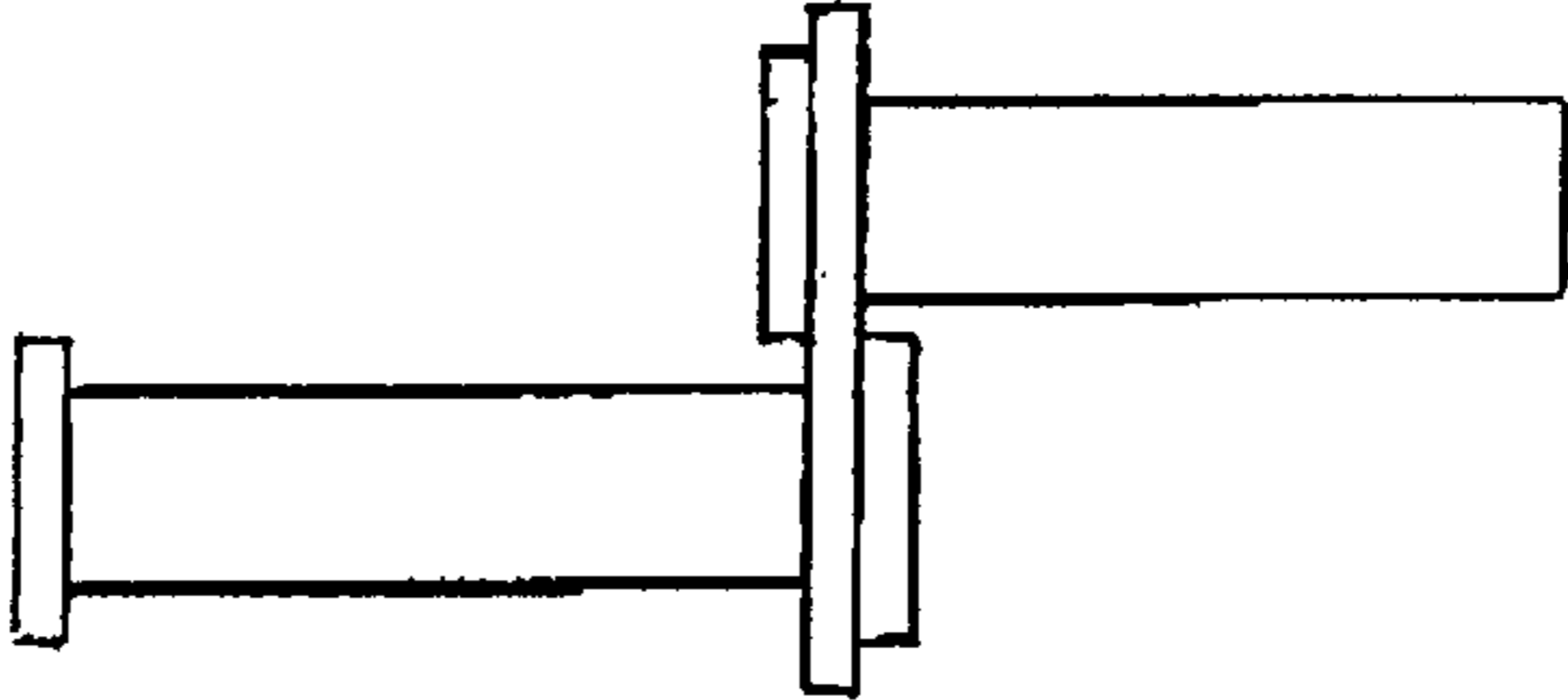


Fig. 2

Fig. 4

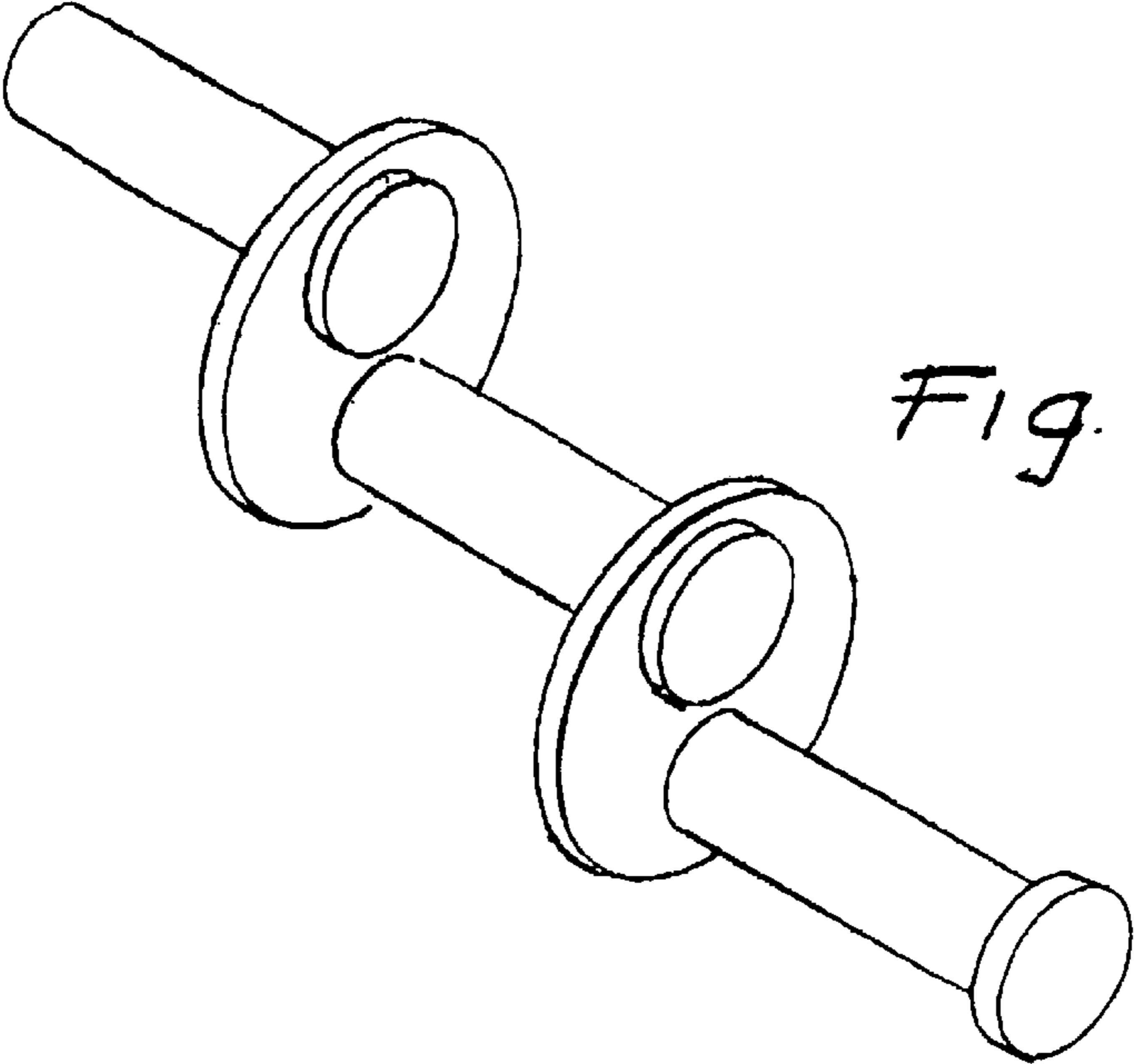
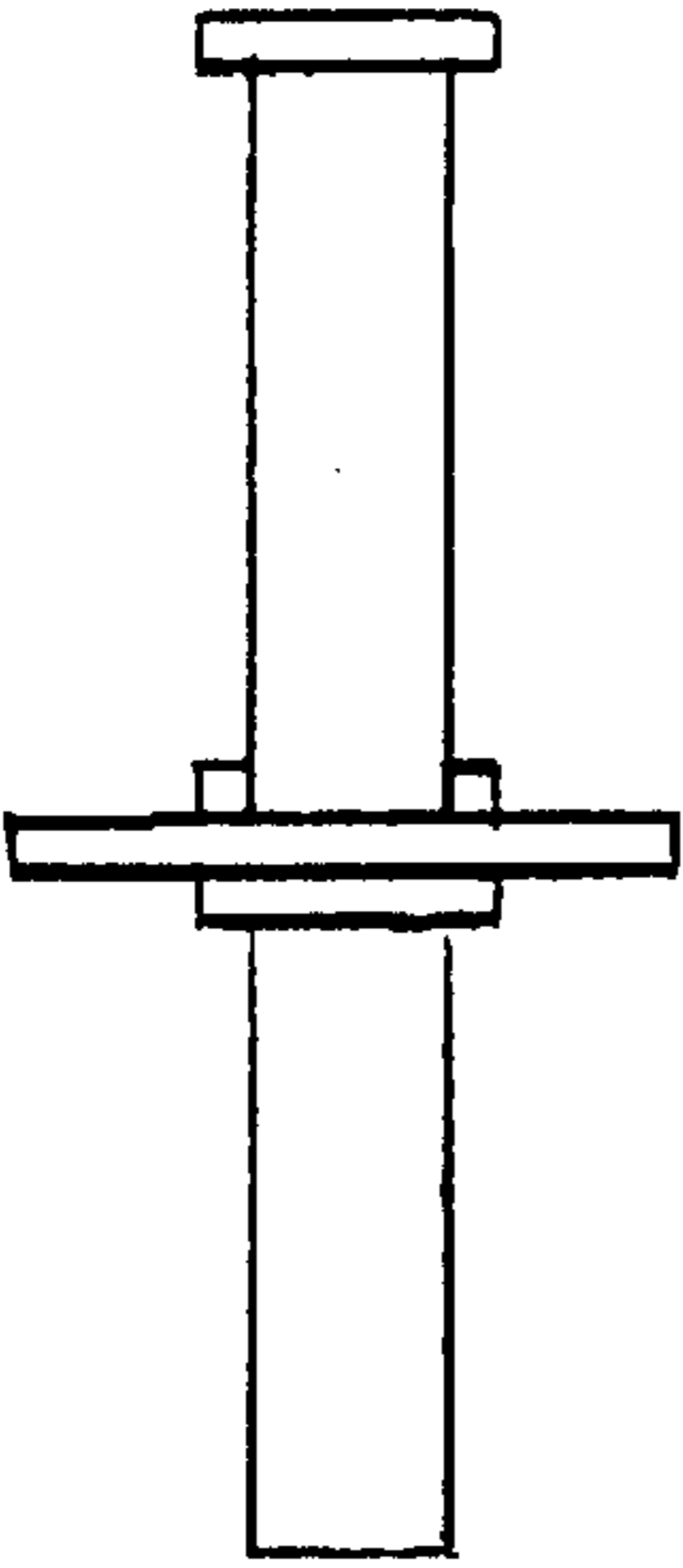


Fig. 5