



US00D510007S

(12) **United States Design Patent**  
**Yamamoto**

(10) **Patent No.:** **US D510,007 S**

(45) **Date of Patent:** **\*\* Sep. 27, 2005**

(54) **PORTABLE ELECTRIC DRILL**

6,840,335 B1 \* 1/2005 Wu ..... 310/50

(75) Inventor: **Yuji Yamamoto, Anjo (JP)**

\* cited by examiner

(73) Assignee: **Makita Corporation, Aicki-ken (JP)**

*Primary Examiner*—Gary D. Watson

*Assistant Examiner*—T. Chase Nelson

(\*\*) Term: **14 Years**

(74) *Attorney, Agent, or Firm*—Dennison, Schultz,  
Dougherty & MacDonald

(21) Appl. No.: **29/208,621**

(57) **CLAIM**

(22) Filed: **Jul. 2, 2004**

The ornamental design for a portable electric drill, as shown and described.

(30) **Foreign Application Priority Data**

Jan. 6, 2004 (JP) ..... 2004-002816

Jan. 6, 2004 (JP) ..... 2004-002817

Jan. 6, 2004 (JP) ..... 2004-002818

**DESCRIPTION**

(51) **LOC (8) Cl.** ..... **08-01**

(52) **U.S. Cl.** ..... **D8/68**

(58) **Field of Search** ..... D8/14.1, 61, 62,  
D8/63, 64, 65, 66, 67, 68, 69, 70; 81/57.11,  
429, 464, 465, 466, 469, 489; 173/13, 169,  
178, 213, 217; 227/8, 114, 120, 130, 136,  
142; 310/50; 408/20, 124, 125, 234, 241 R;  
451/358

FIG. 1 is a perspective view of a portable electric drill showing my new design.

FIG. 2 is a front elevation view thereof;

FIG. 3 is a rear elevation view thereof;

FIG. 4 is a left side elevation view thereof;

FIG. 5 is a right side elevation view thereof;

FIG. 6 is a top plan view thereof; and

FIG. 7 is a bottom view thereof;

FIG. 8 is a perspective view of a second embodiment of the portable electric drill shown in FIG. 1;

FIG. 9 is a front elevation view thereof;

FIG. 10 is a rear elevation view thereof;

FIG. 11 is a left side elevation view thereof;

FIG. 12 is a right side elevation view thereof;

FIG. 13 is a top plan view thereof; and

FIG. 14 is a bottom view thereof.

FIG. 15 is a perspective view of a third embodiment of the portable electric drill shown in FIG. 1;

FIG. 16 is a front elevation view thereof;

FIG. 17 is a rear elevation view thereof;

FIG. 18 is a left side elevation view thereof;

FIG. 19 is a right side elevation view thereof;

FIG. 20 is a top plan view thereof; and,

FIG. 21 is a bottom view thereof.

The name Makita displayed on the body of the portable electric drill is a trademark owned by the Makita Corporation.

(56) **References Cited**

**U.S. PATENT DOCUMENTS**

D340,394 S \* 10/1993 Okumura ..... D8/68

D359,215 S \* 6/1995 Zurwelle ..... D8/68

D362,167 S \* 9/1995 Zurwelle ..... D8/68

D377,442 S \* 1/1997 Kikuchi ..... D8/68

D386,662 S 11/1997 Tozawa et al.

D396,177 S \* 7/1998 Schultz ..... D8/68

D419,413 S \* 1/2000 Heun ..... D8/68

D420,877 S \* 2/2000 Schultz ..... D8/68

D421,883 S \* 3/2000 Watson et al. .... D8/68

D436,511 S \* 1/2001 Hayakawa et al. .... D8/68

D460,674 S \* 7/2002 Heun ..... D8/68

D462,248 S \* 9/2002 Cooper ..... D8/68

D467,483 S \* 12/2002 Heun ..... D8/68

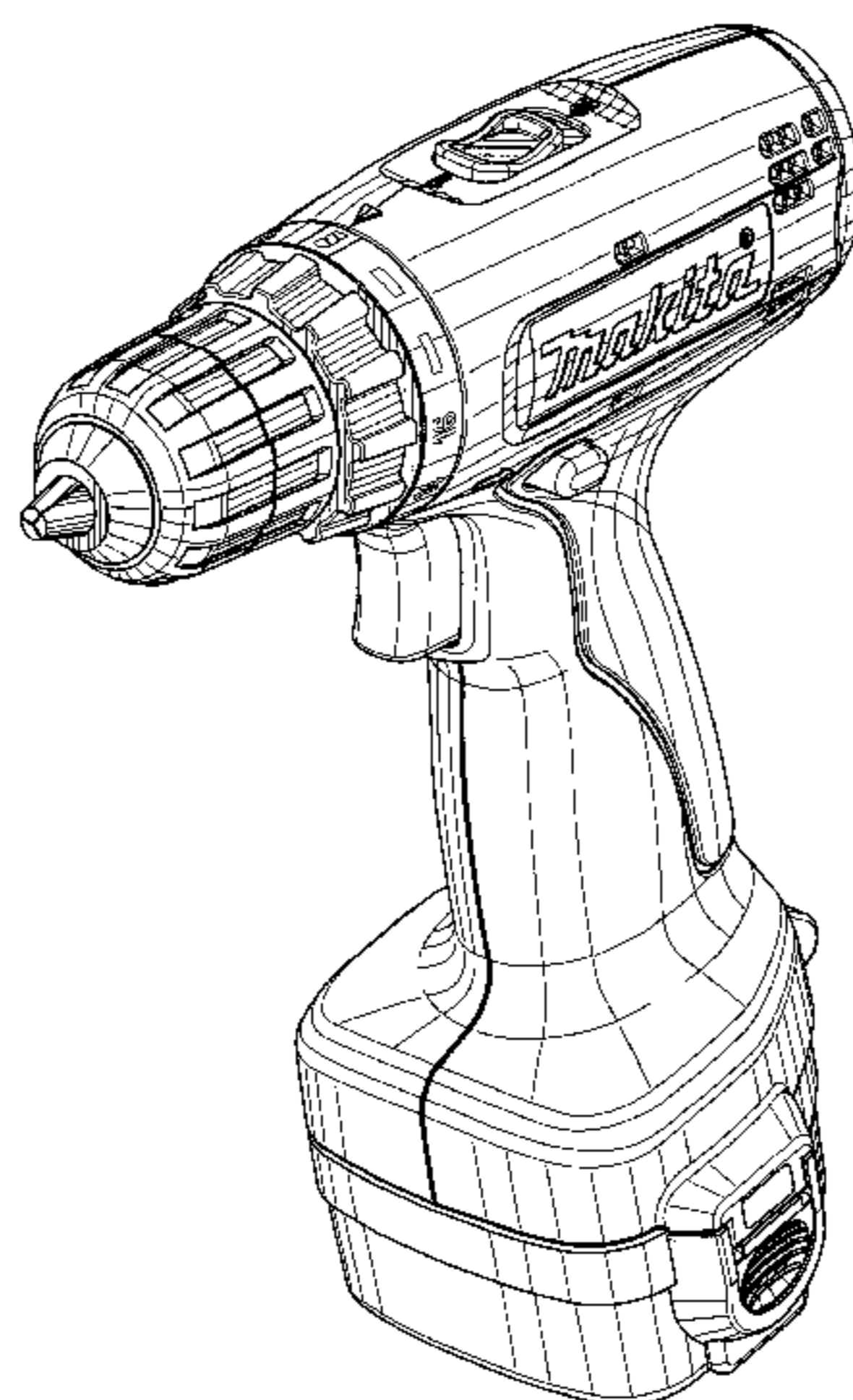
6,552,904 B2 \* 4/2003 Fung ..... 310/50

D482,253 S \* 11/2003 Cooper et al. .... D8/68

D494,034 S \* 8/2004 Cheung ..... D8/68

D496,843 S \* 10/2004 Sugawara et al. .... D8/68

**1 Claim, 18 Drawing Sheets**



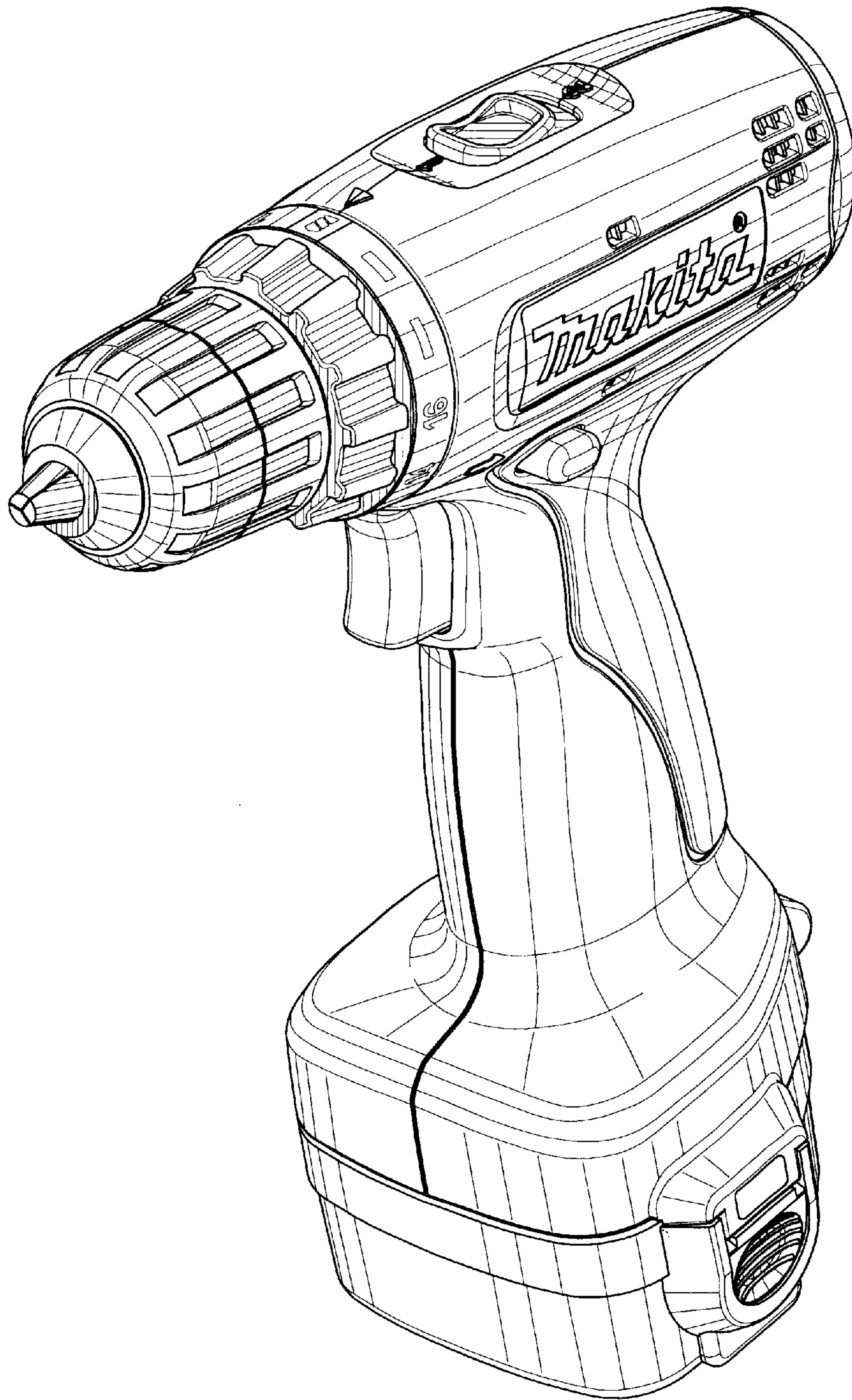


FIG. 1

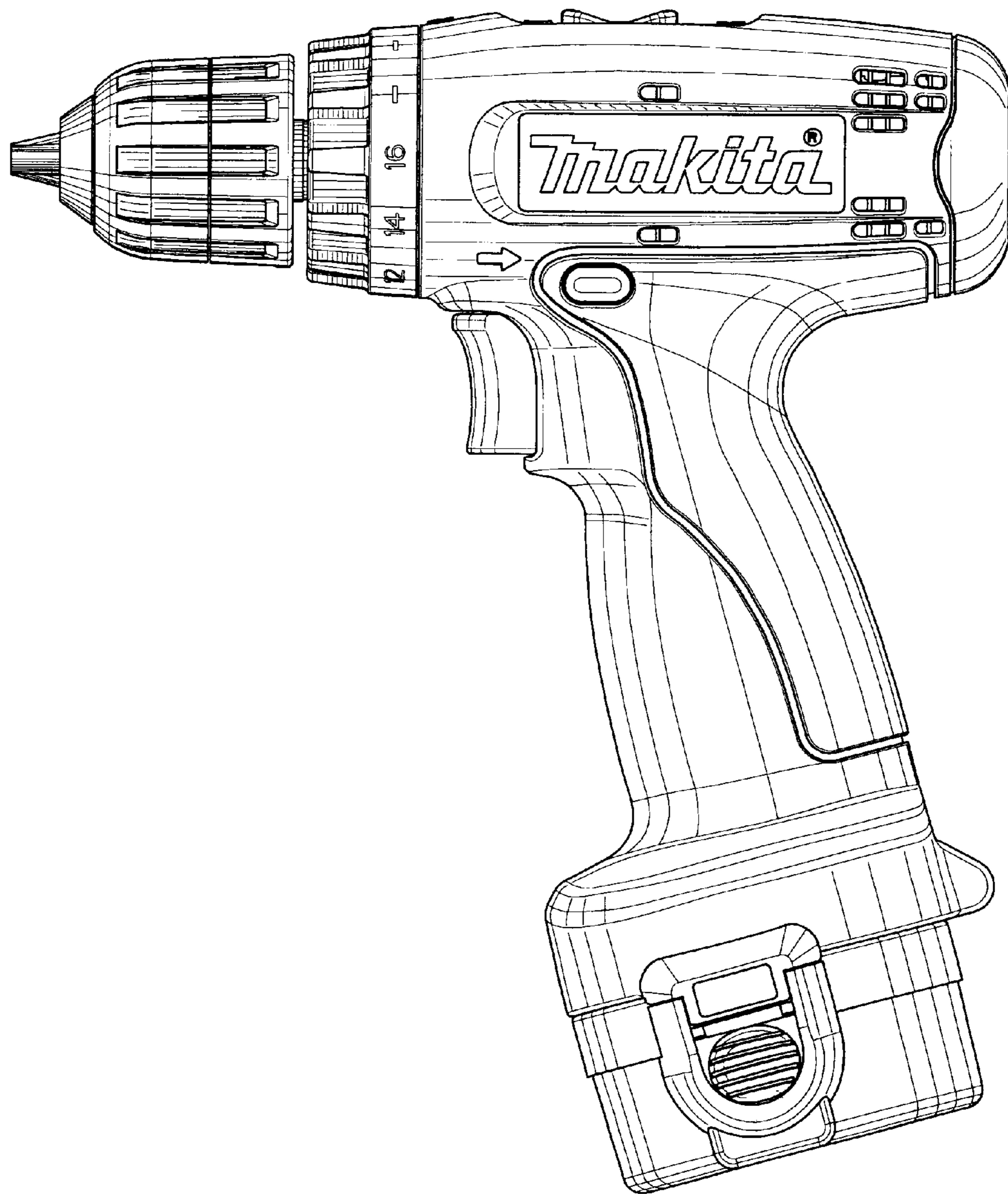


FIG. 2



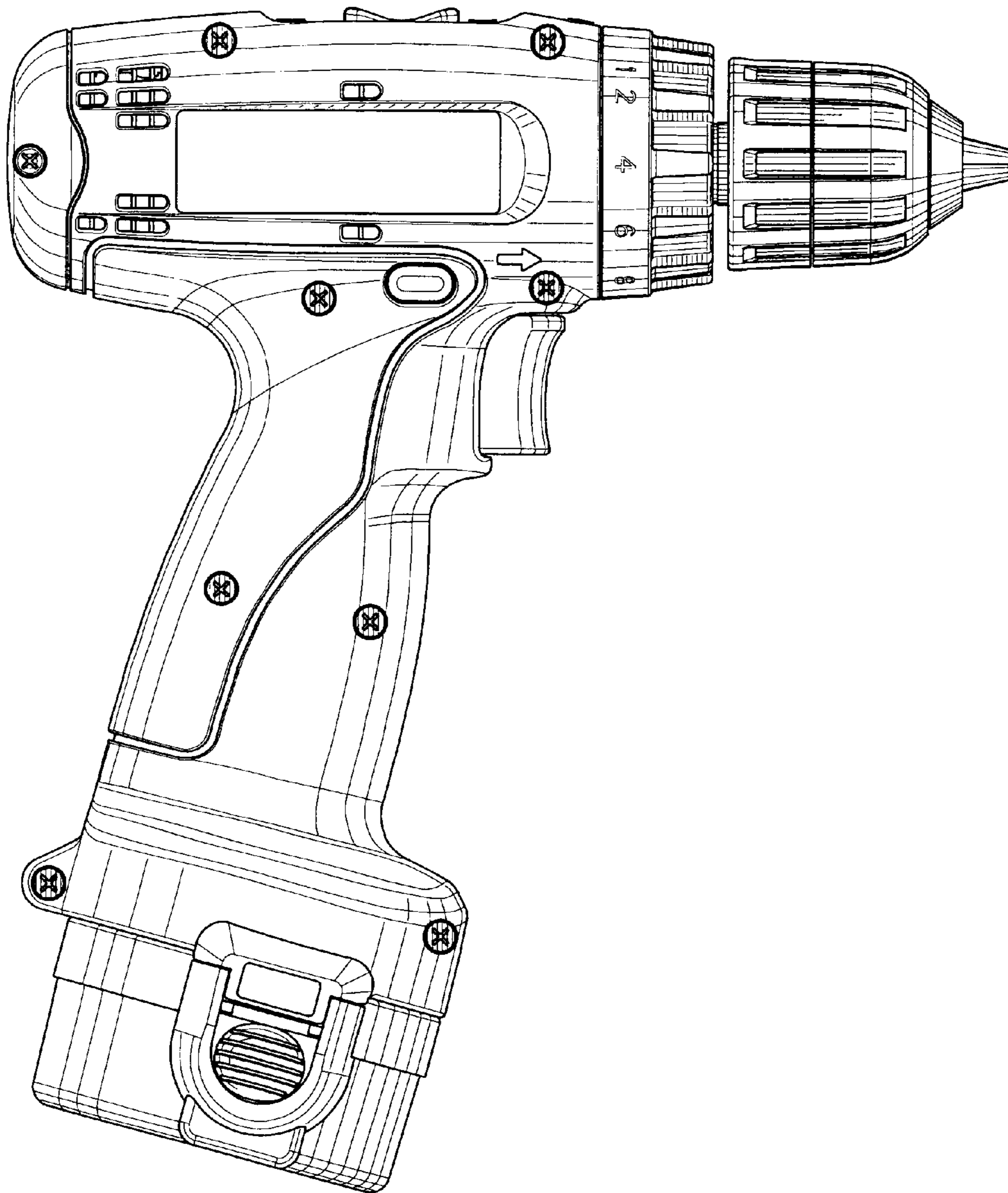


FIG. 3

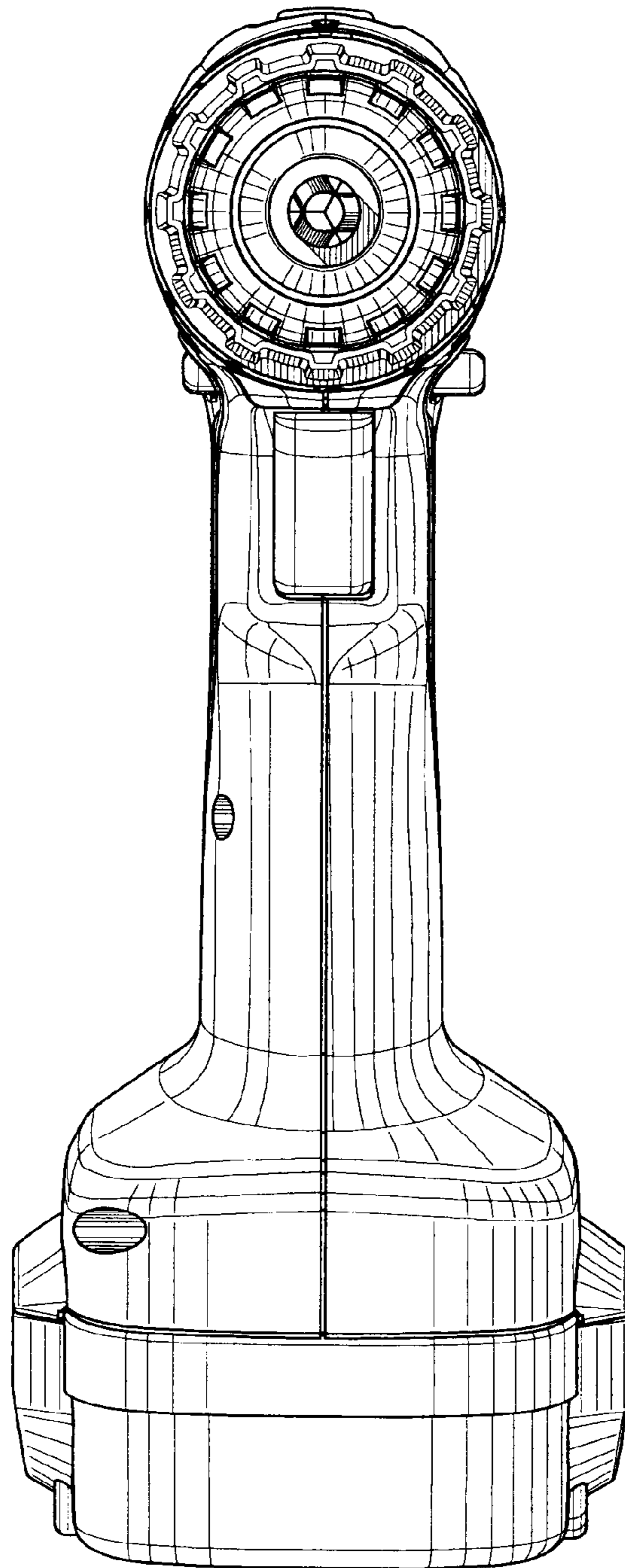


FIG. 4

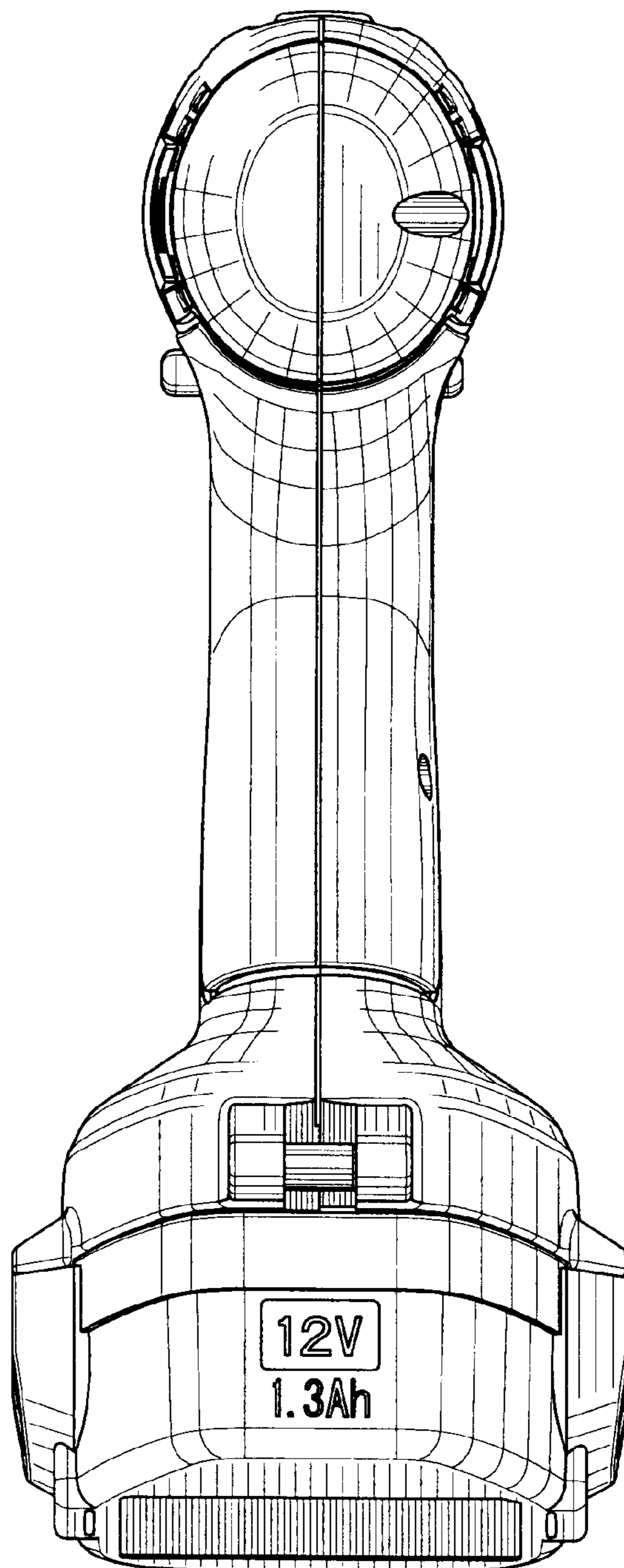


FIG. 5

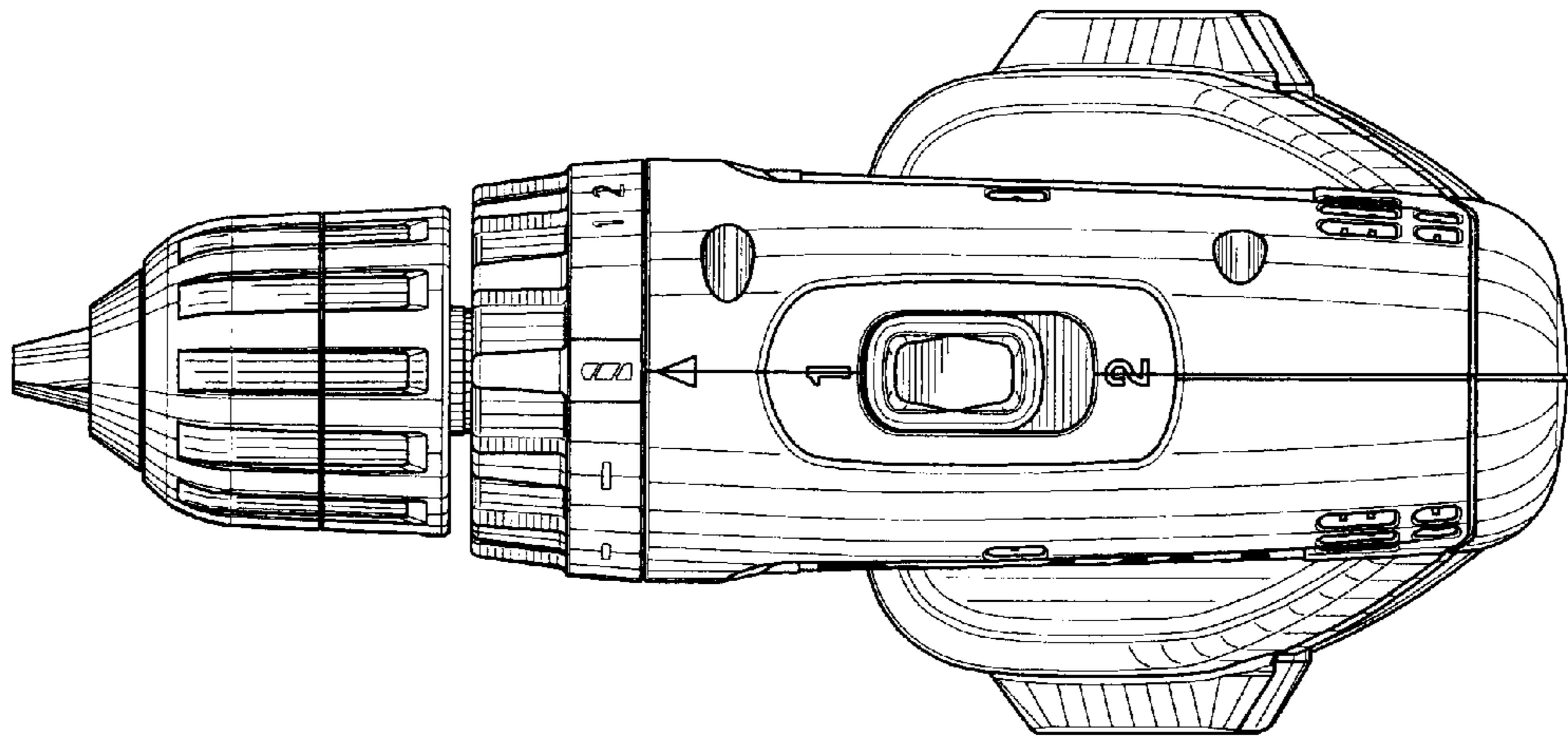


FIG. 6

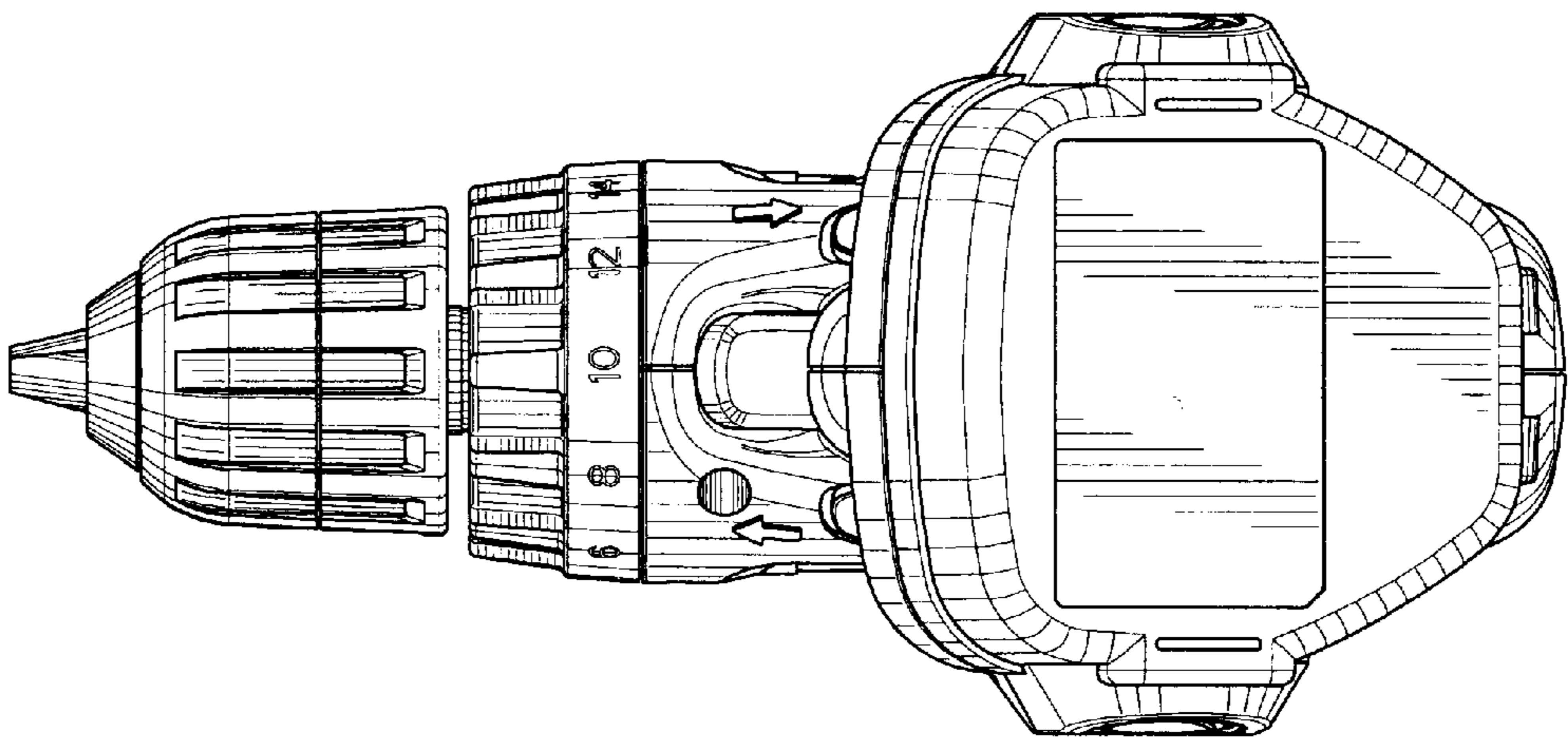


FIG. 7



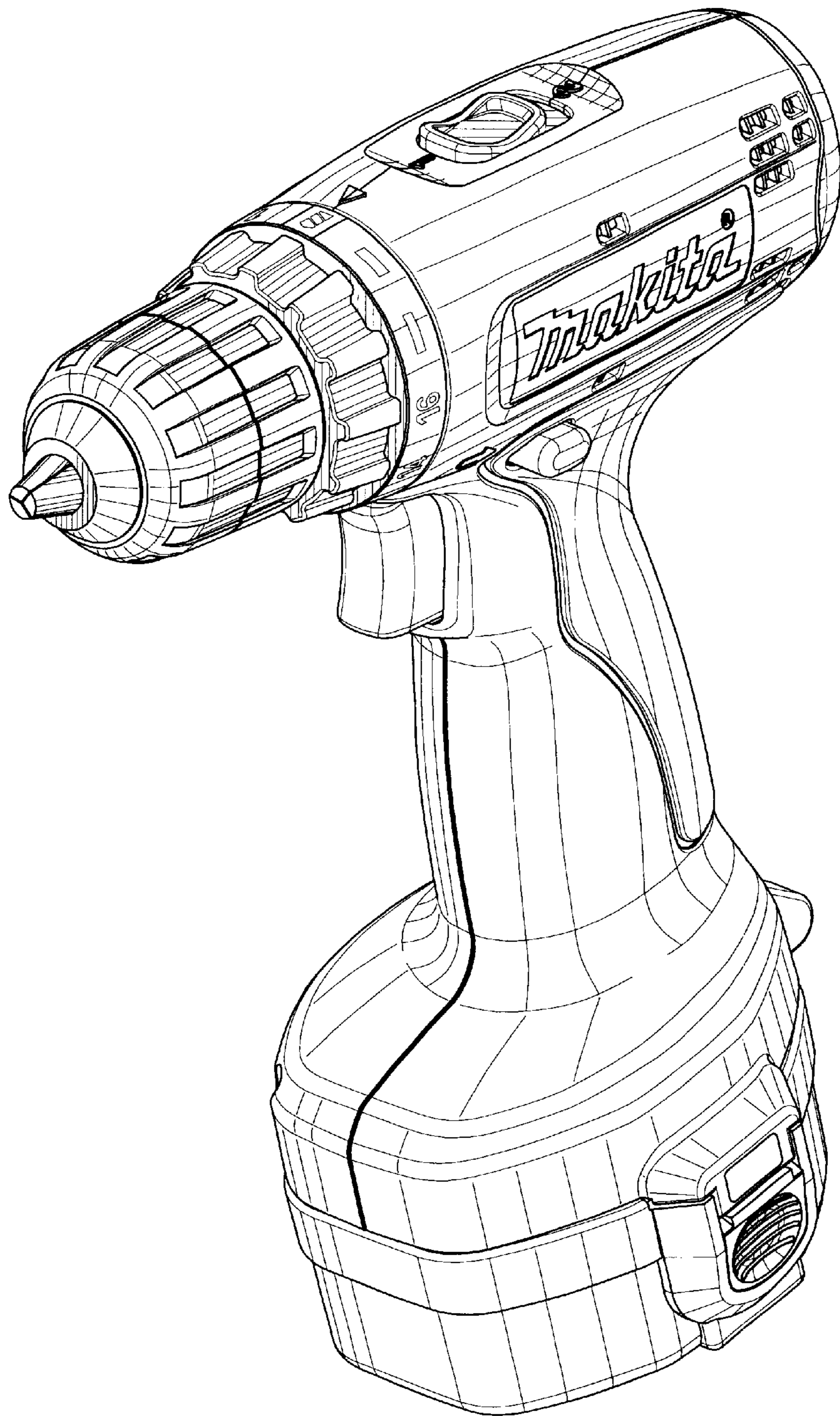


FIG. 8



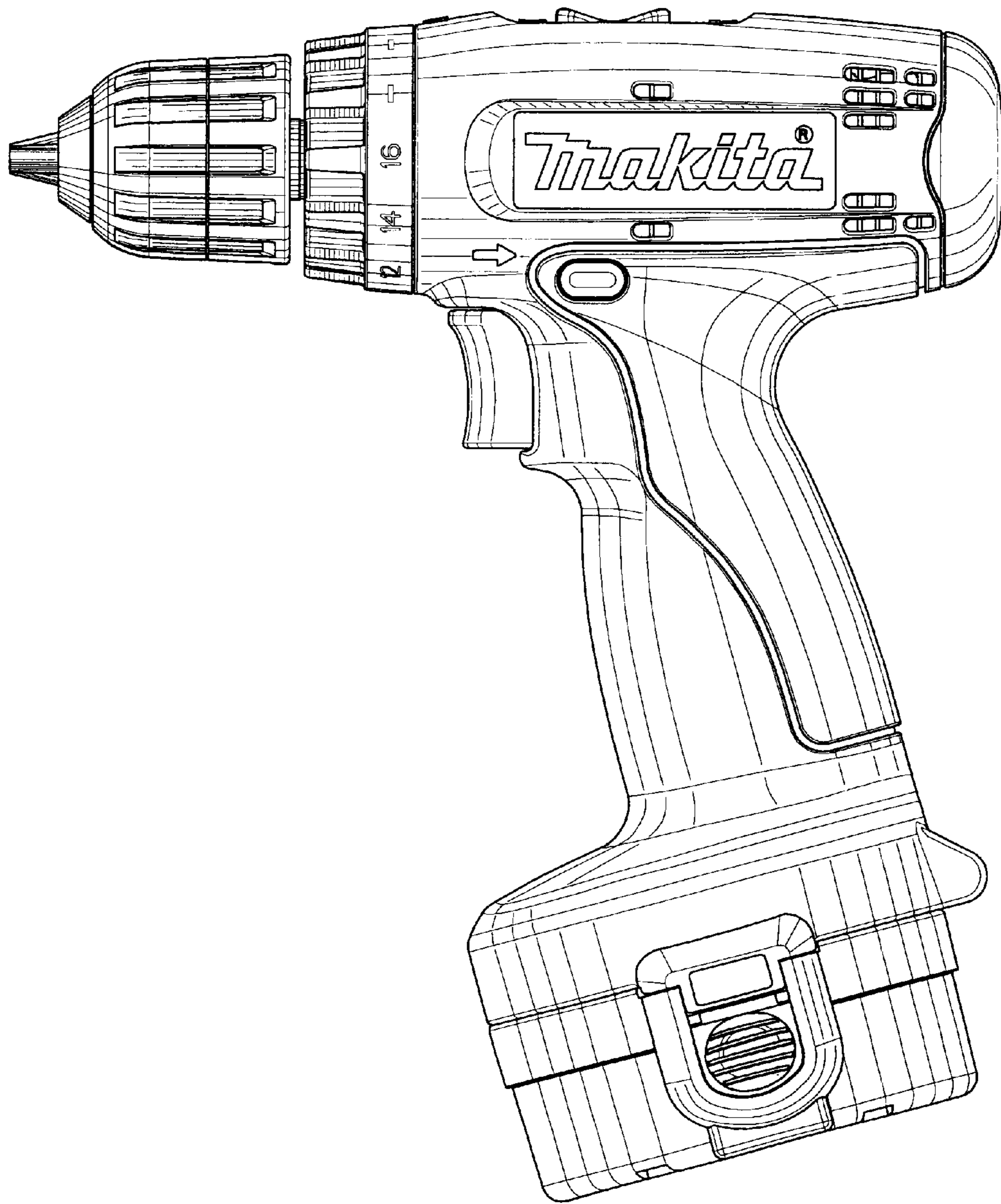


FIG. 9

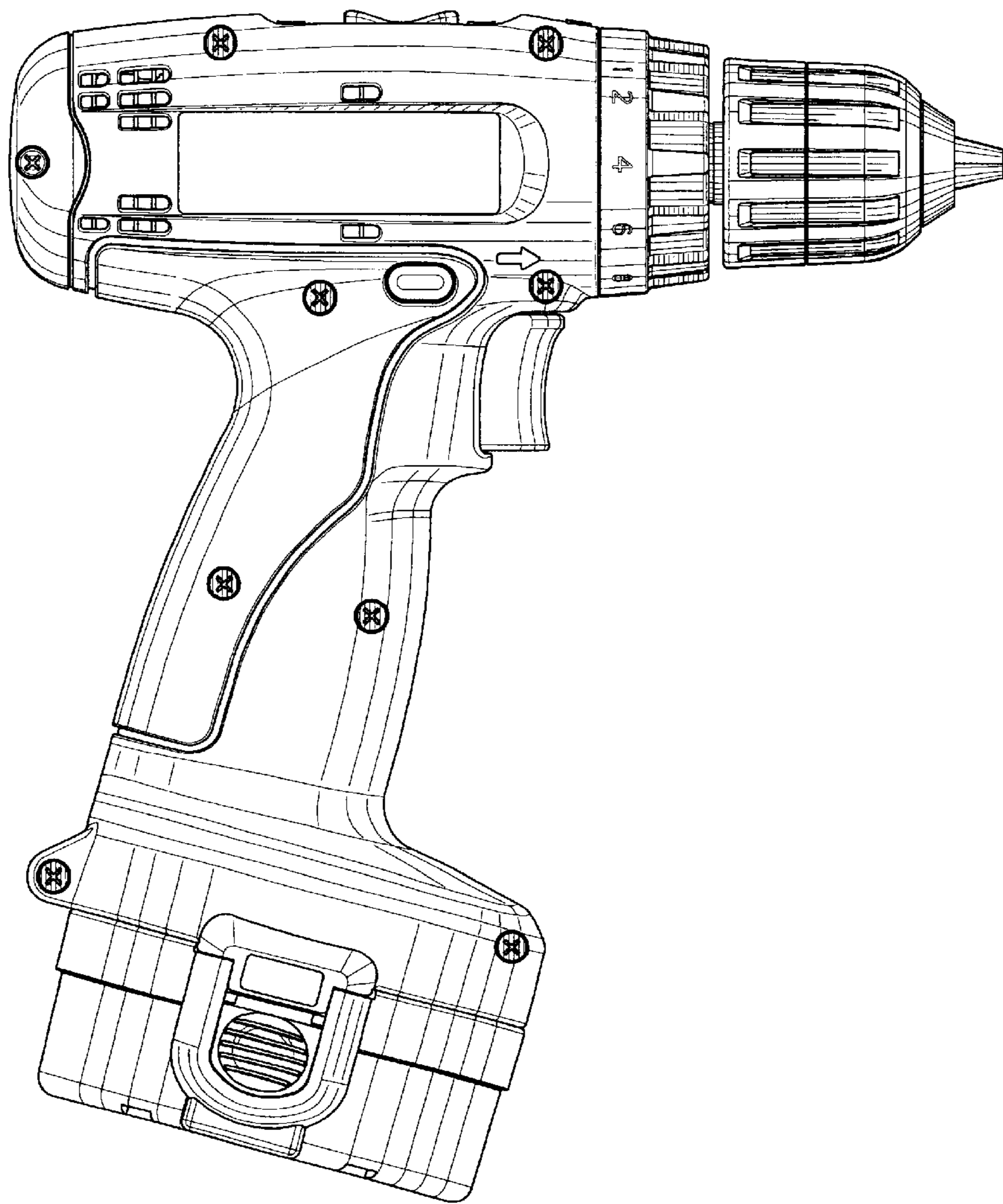


FIG. 10

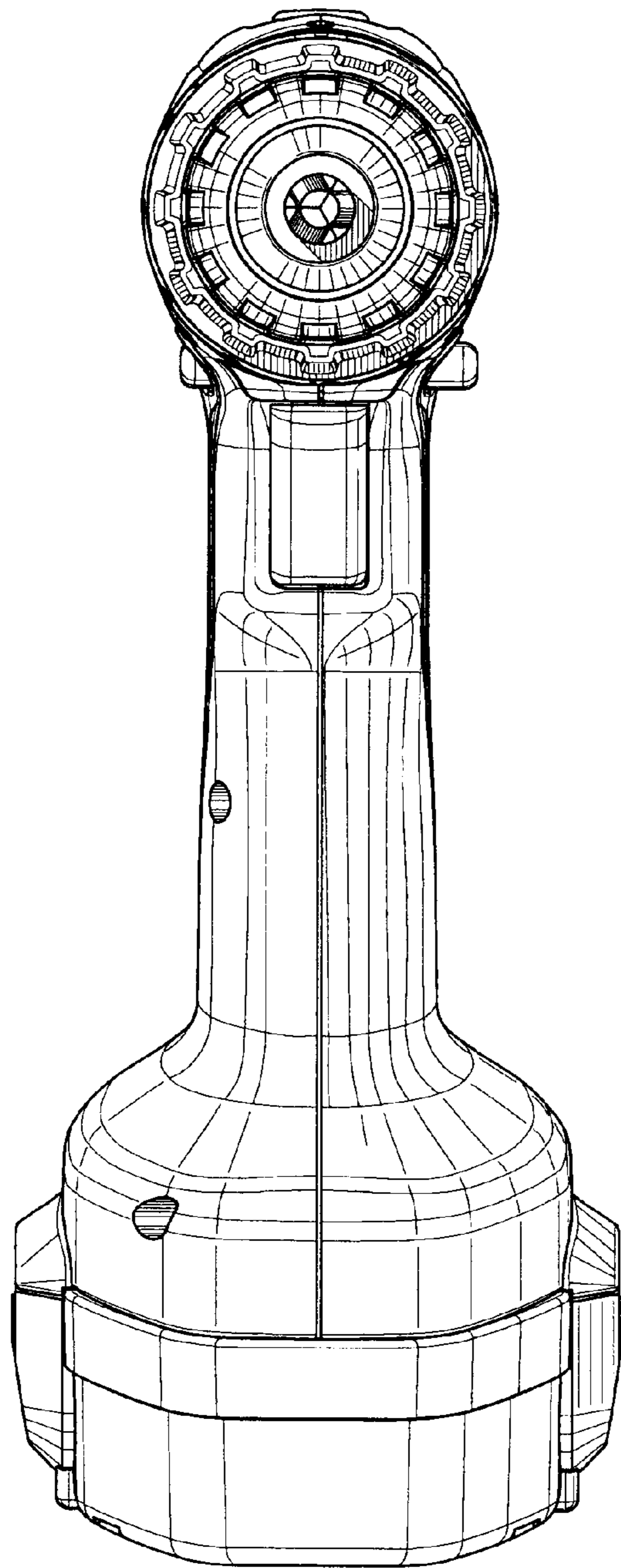


FIG. 11



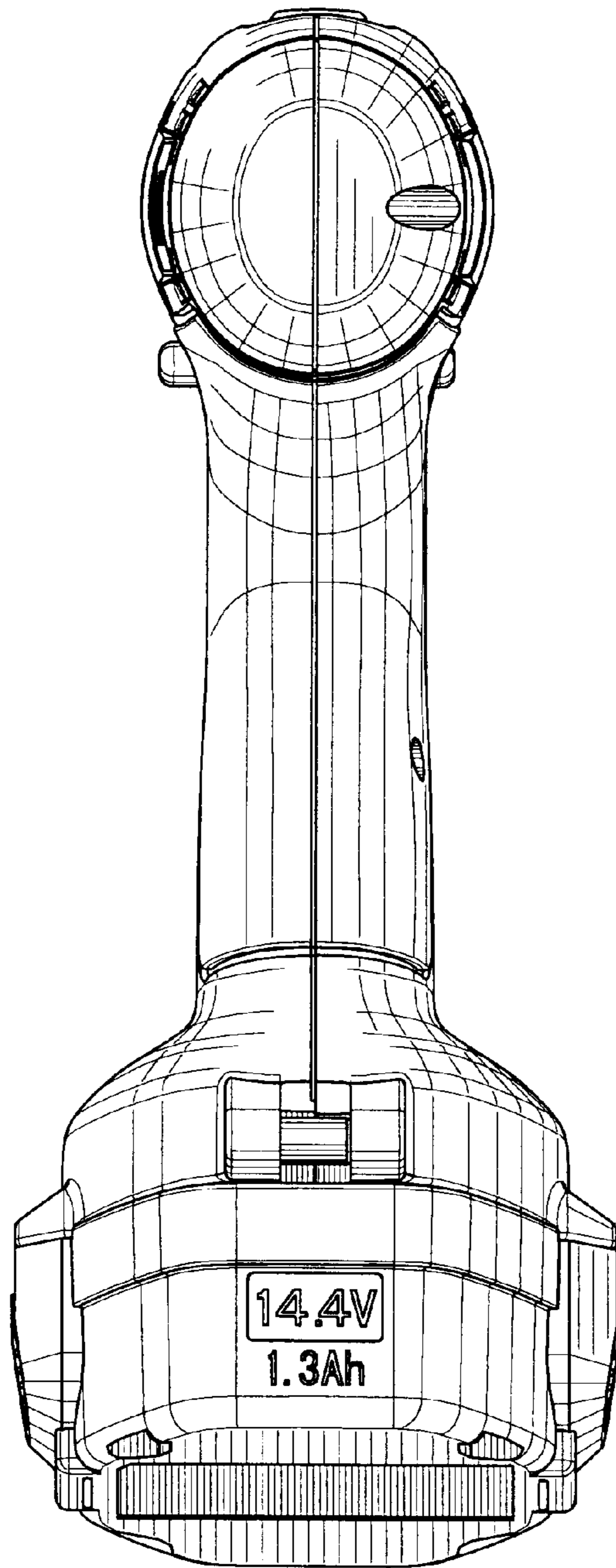


FIG. 12

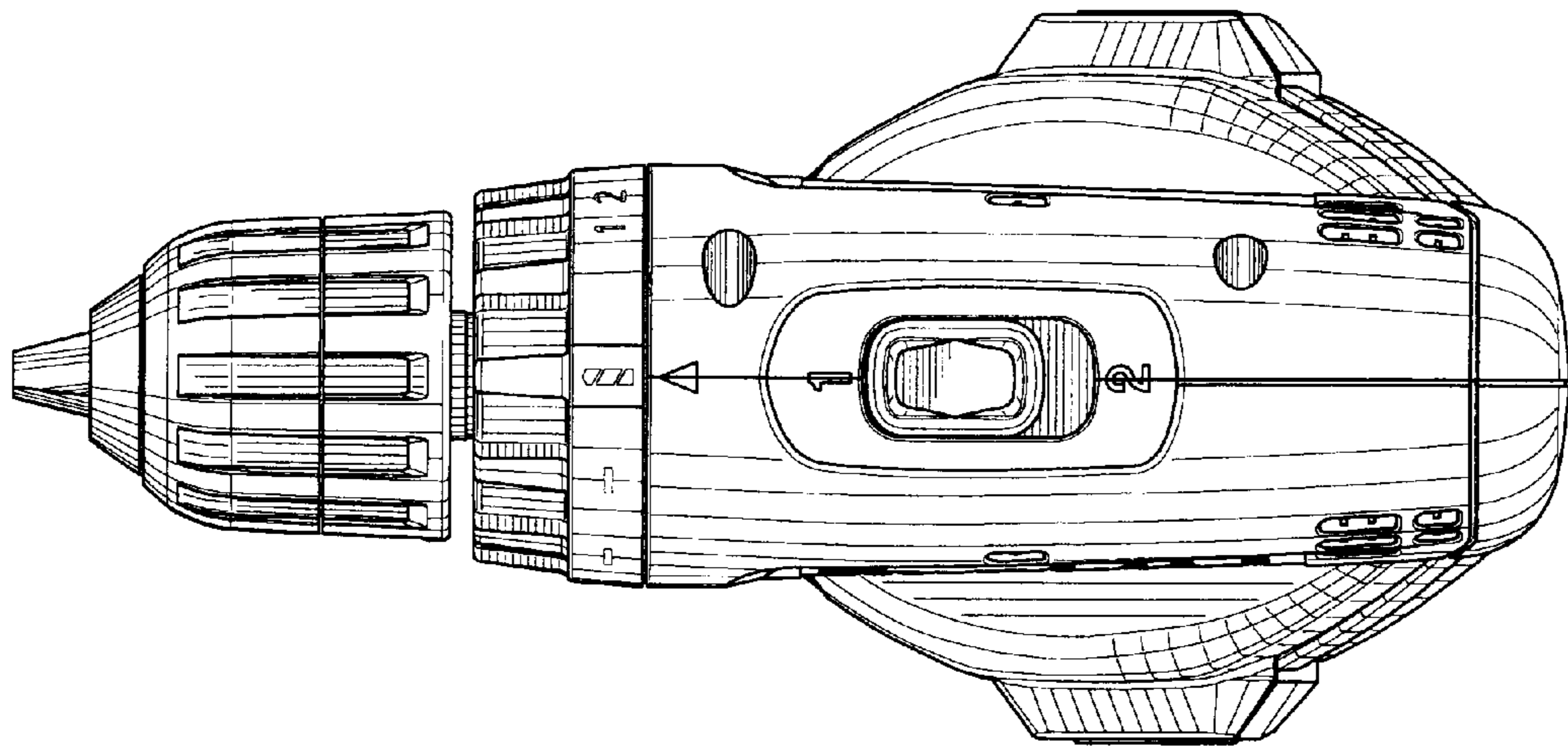


FIG. 13

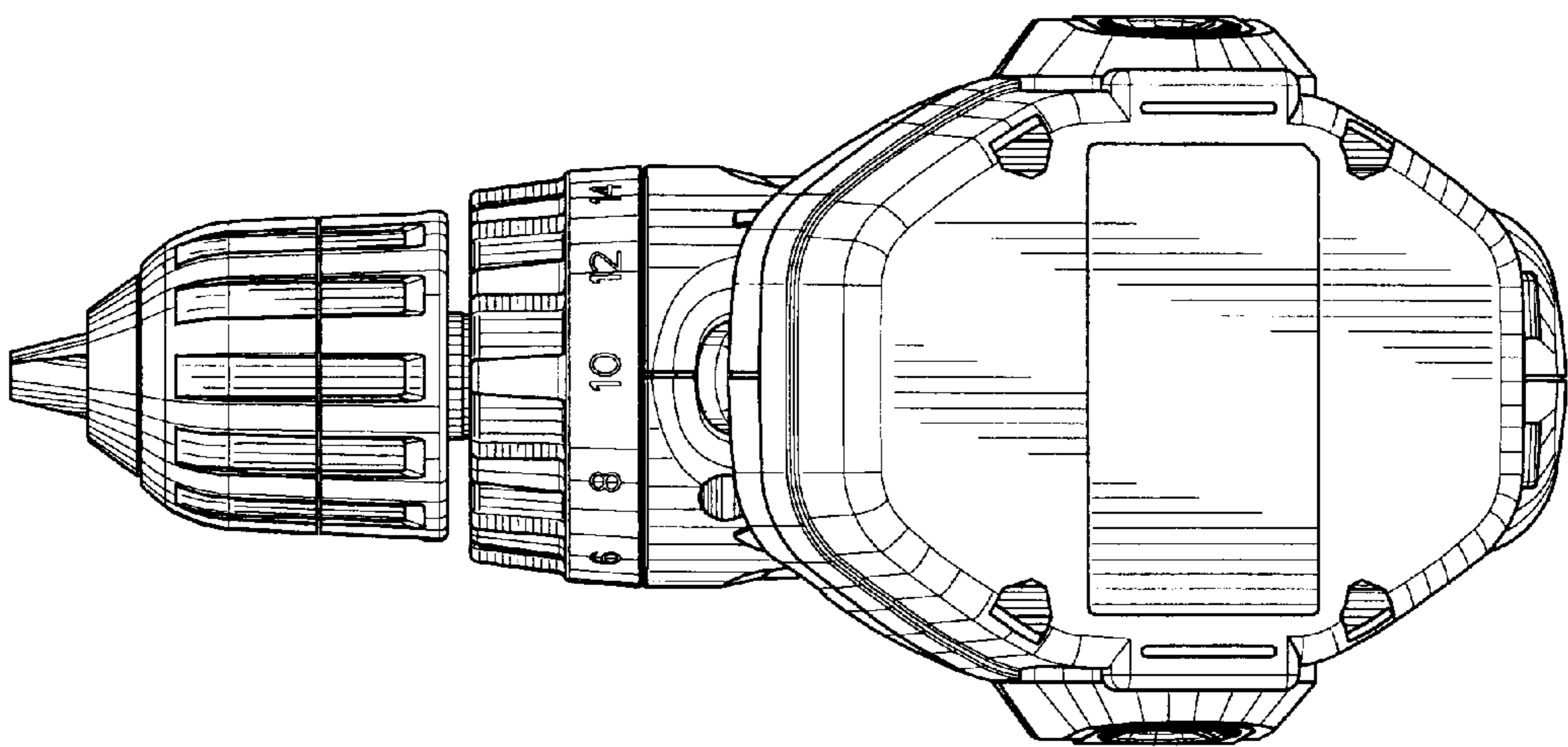


FIG. 14

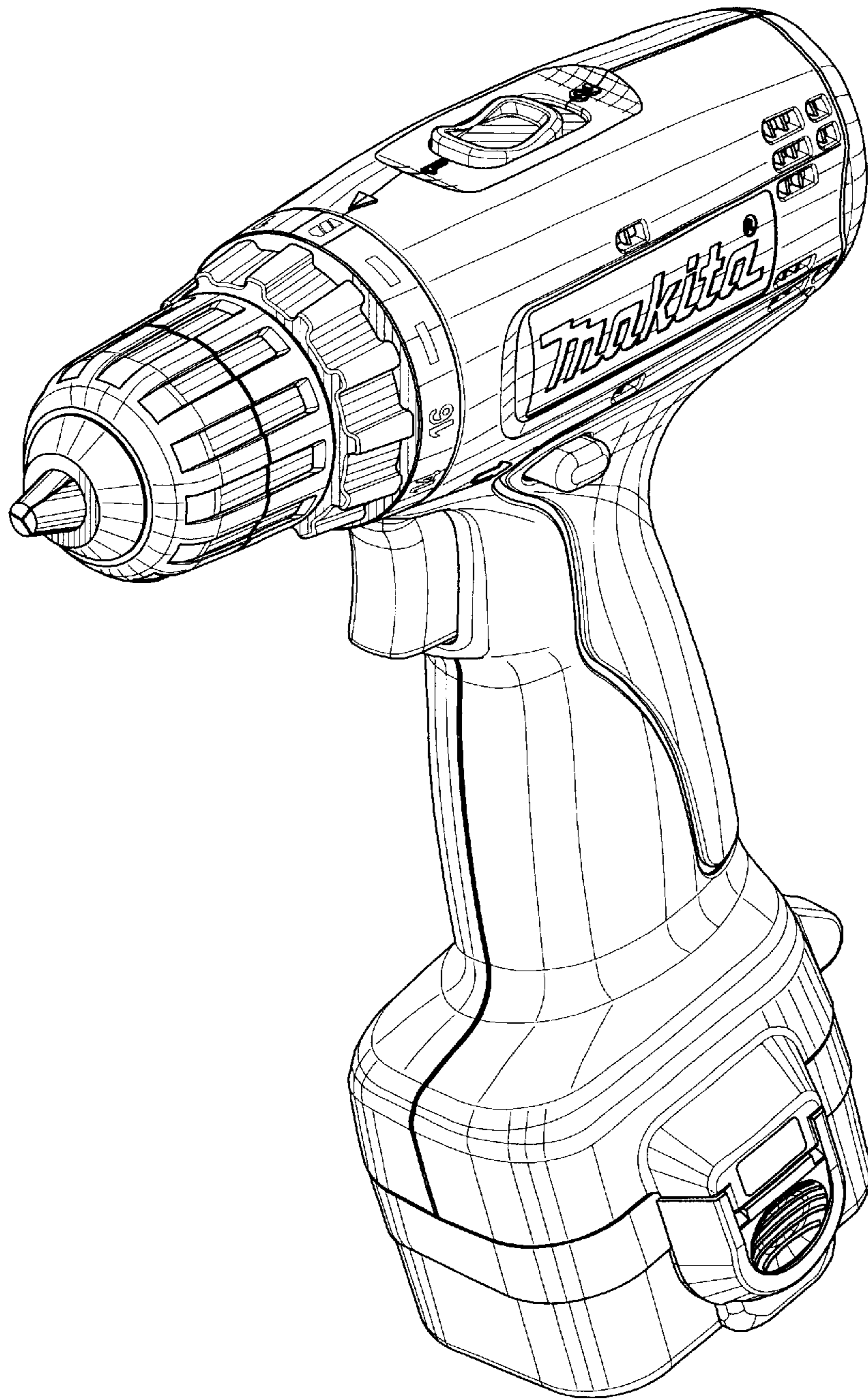


FIG. 15



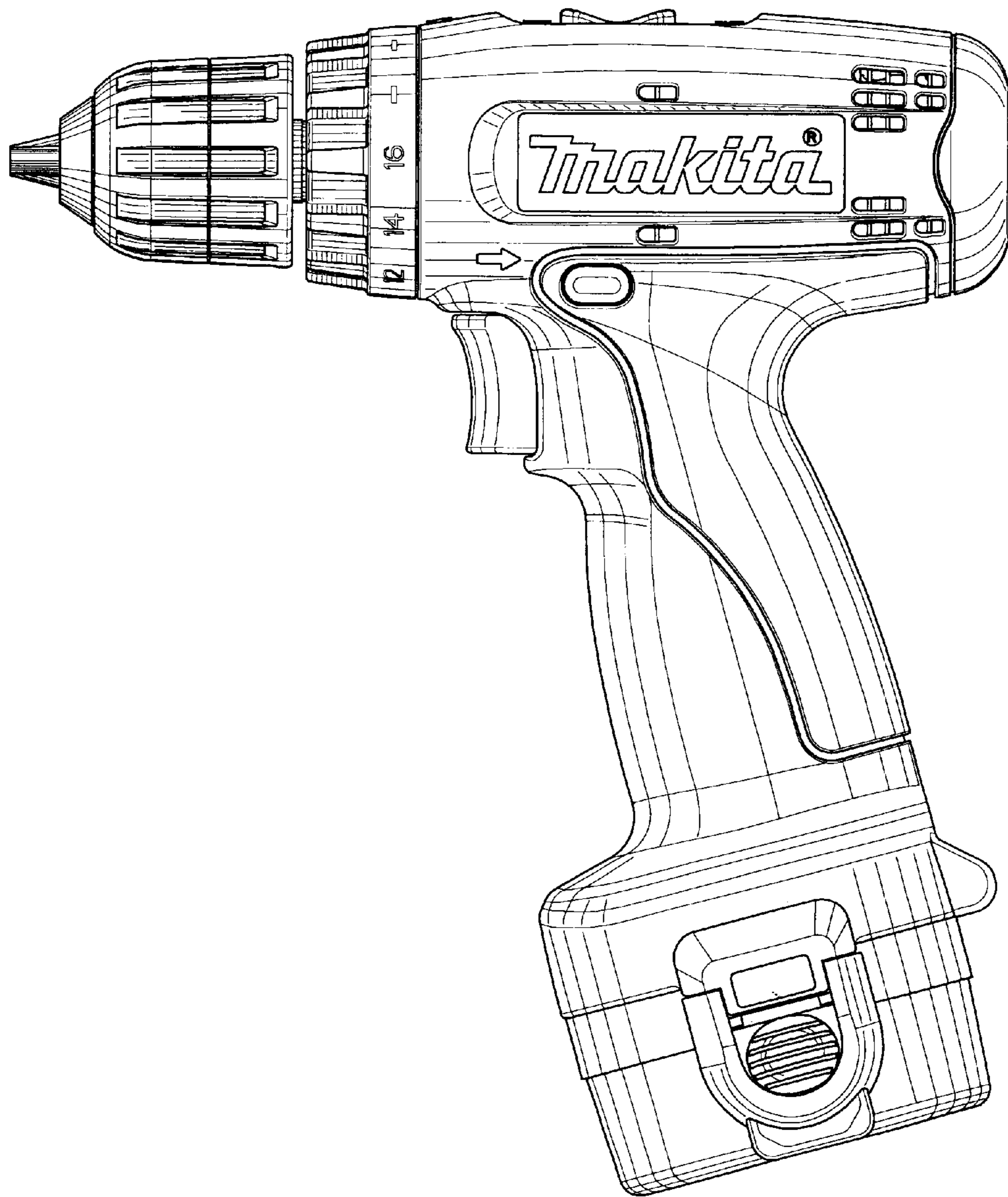


FIG. 16

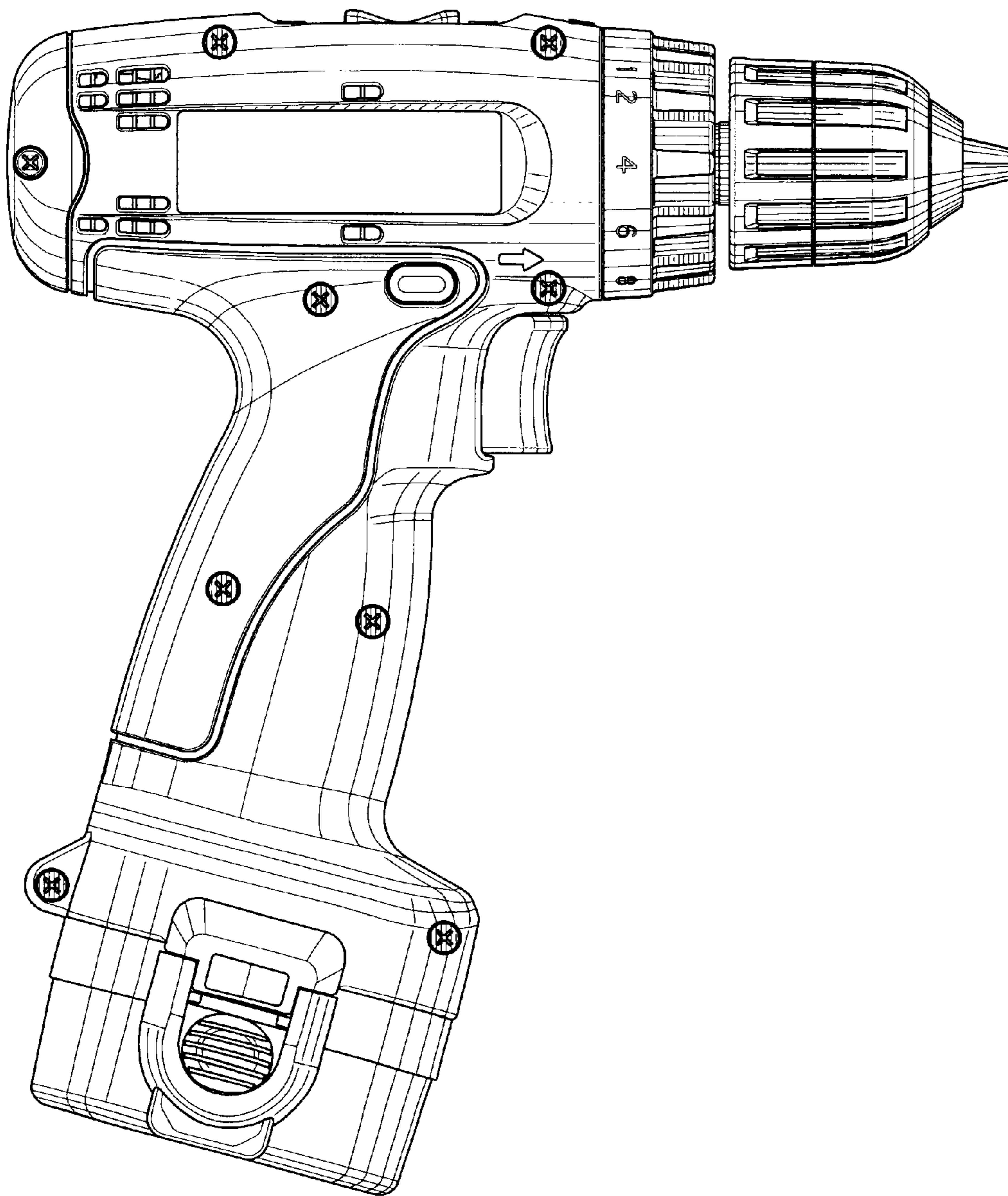


FIG. 17

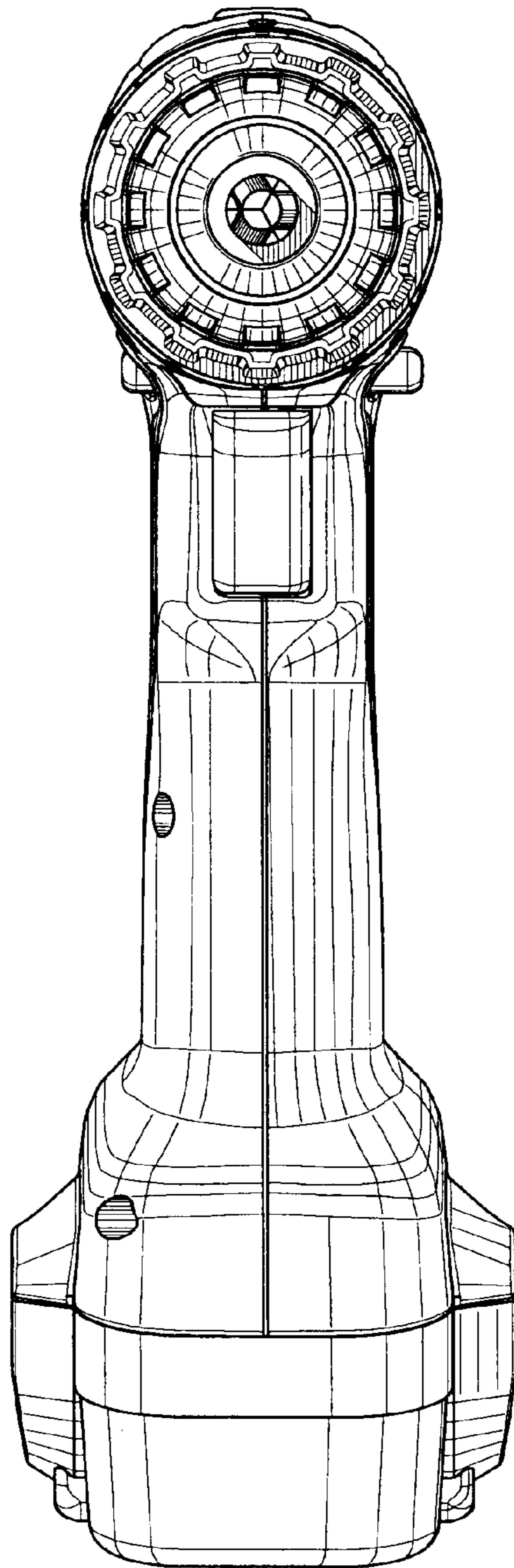


FIG. 18



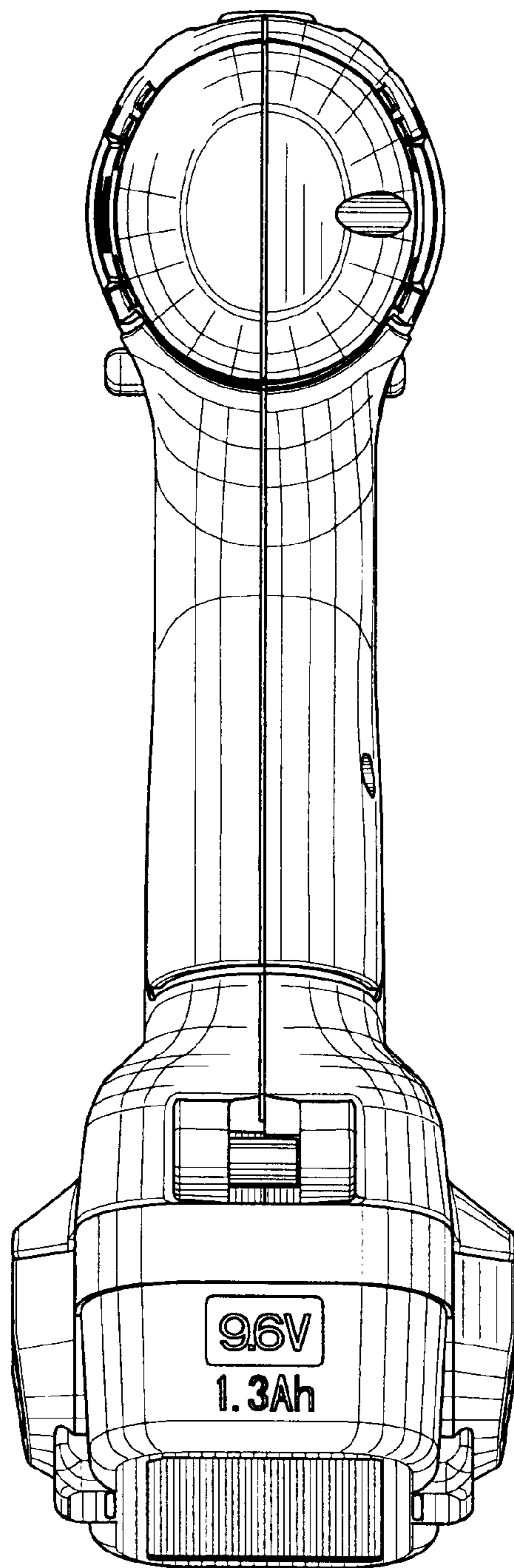


FIG. 19

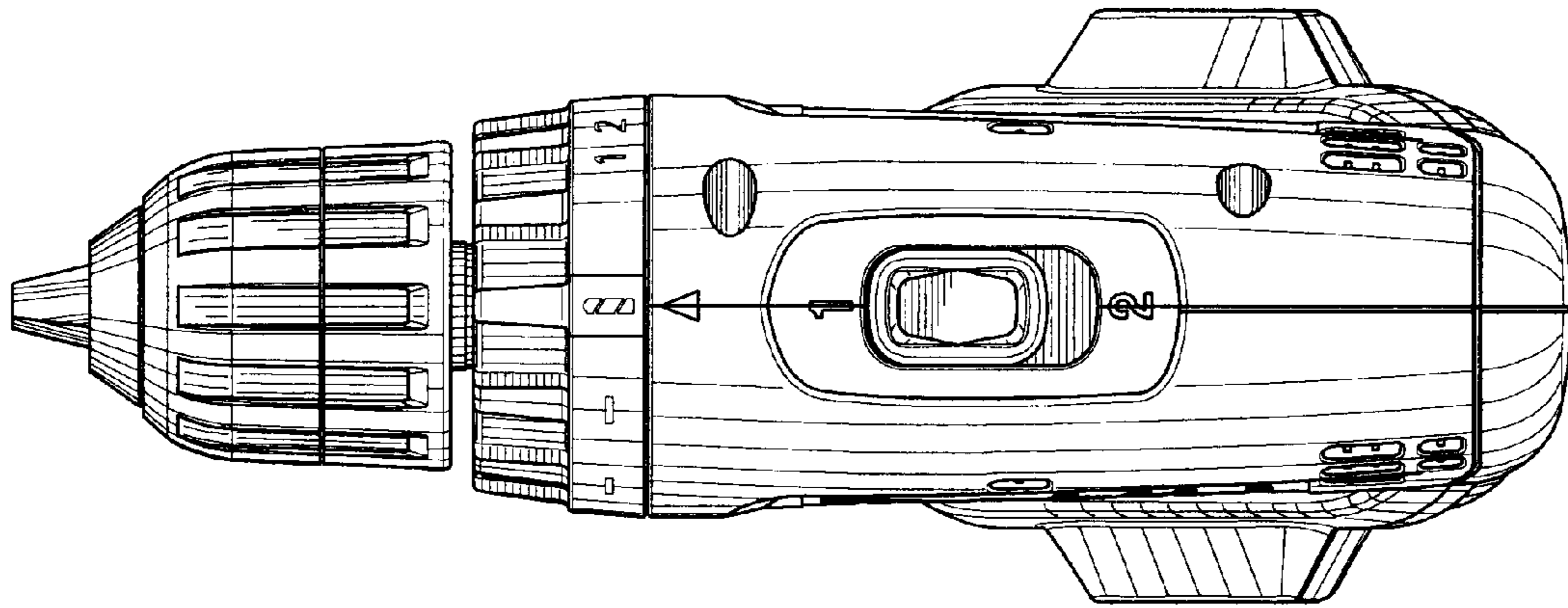


FIG. 20

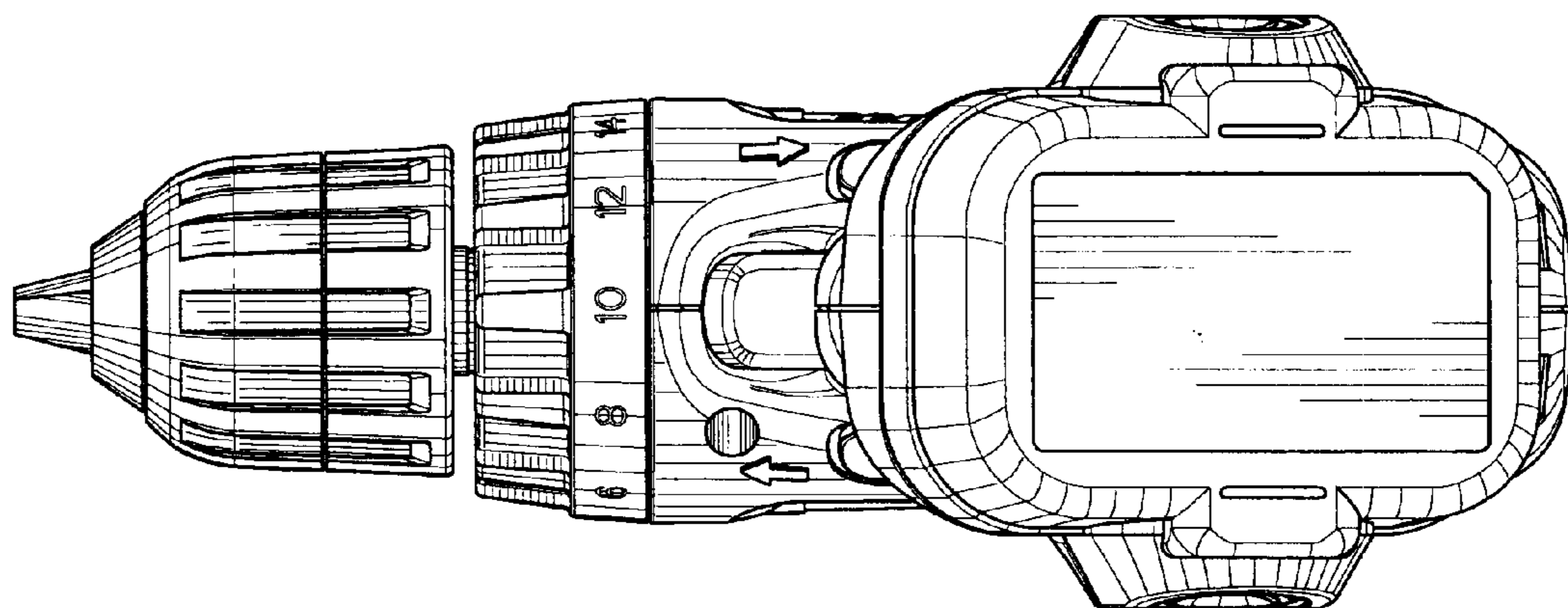


FIG. 21