



US00D510004S

(12) **United States Design Patent**
Heun

(10) **Patent No.:** **US D510,004 S**

(45) **Date of Patent:** **** Sep. 27, 2005**

(54) **GROUT REMOVAL ATTACHMENT**

(75) Inventor: **Ping Hay Heun**, Aberdeen (CN)

(73) Assignee: **Choon Nang Electrical Appliance Mfy., Ltd.**, Hong Kong (CN)

(**) Term: **14 Years**

(21) Appl. No.: **29/209,094**

(22) Filed: **Jul. 9, 2004**

(51) **LOC (8) Cl.** **08-05**

(52) **U.S. Cl.** **D8/14**

(58) **Field of Search** D8/14; 30/277.4,
30/374; 15/236.06; 451/344

(56) **References Cited**

U.S. PATENT DOCUMENTS

5,651,727 A * 7/1997 Weinstein et al. 451/344

OTHER PUBLICATIONS

Grout removal attachment, p. 6 [online] DRC Dist. catalog, 2003 [retrieved on Apr. 1, 2005]. Retrieved from the Internet: http://catalogs.google.com/catalogs?q=scn_sma:23022.com/6.*

* cited by examiner

Primary Examiner—Holly Baynham

(74) *Attorney, Agent, or Firm*—Alix, Yale & Ristas, LLP

(57) **CLAIM**

The ornamental design for a grout removal attachment, as shown and described.

DESCRIPTION

FIG. 1 is a front, right side and top perspective view of a grout removal attachment showing my new design;

FIG. 2 is a rear, left side and top perspective view thereof;

FIG. 3 is a front side elevational view thereof;

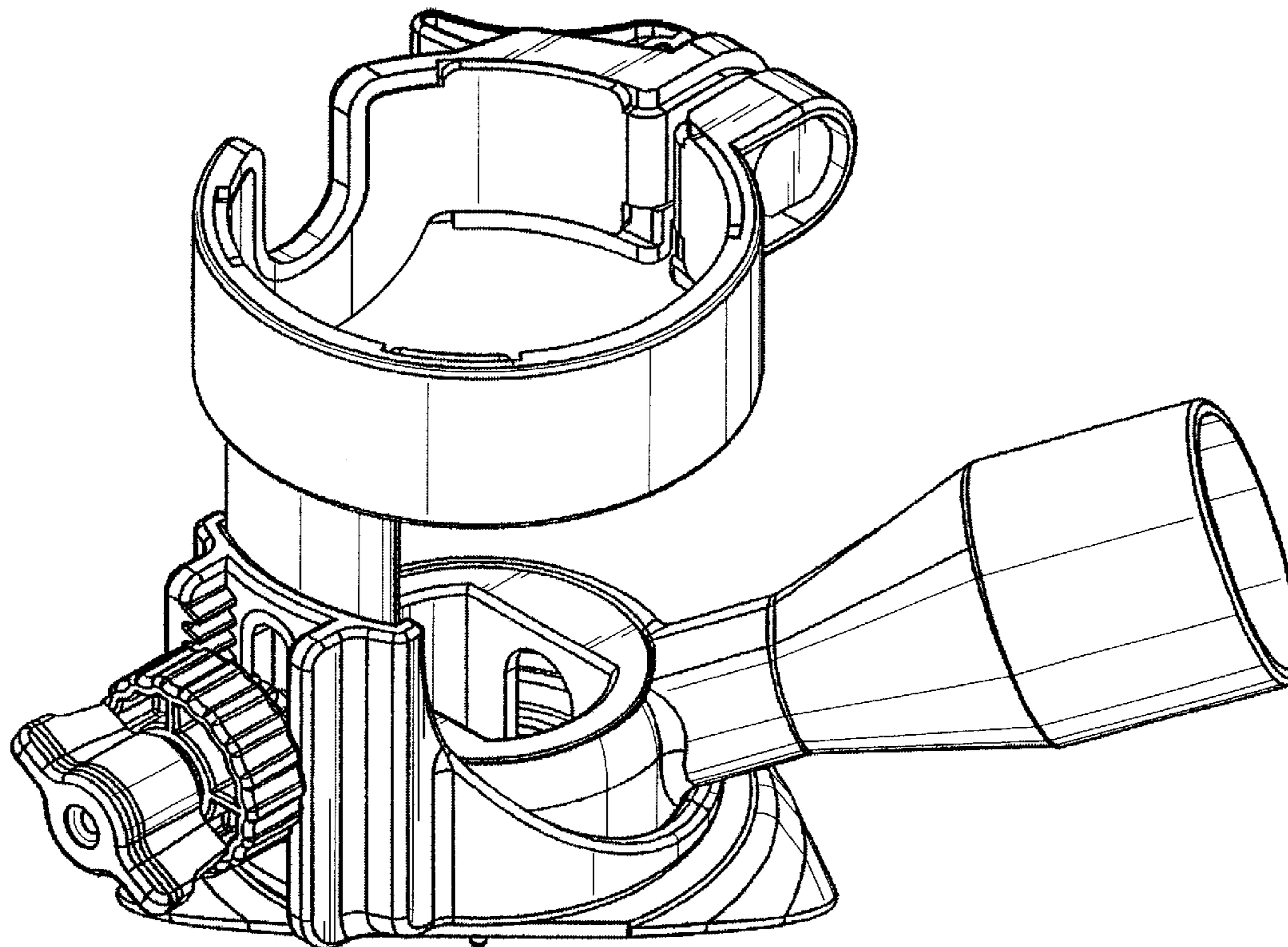
FIG. 4 is a rear side elevational view thereof;

FIG. 5 is a right side elevational view thereof;

FIG. 6 is a left side elevational view thereof; and,

FIG. 7 is a top plan view thereof.

1 Claim, 7 Drawing Sheets



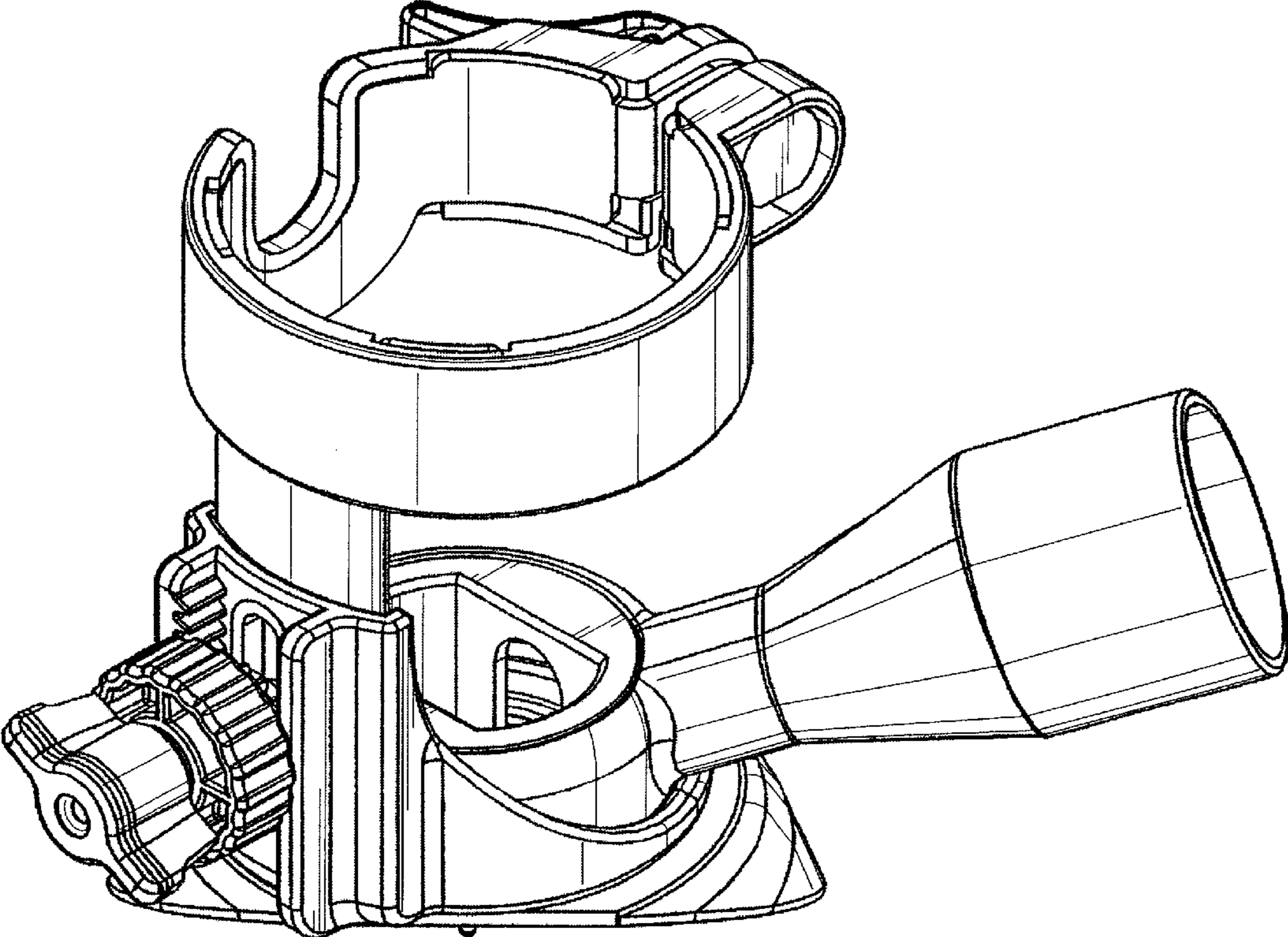


FIG. 1

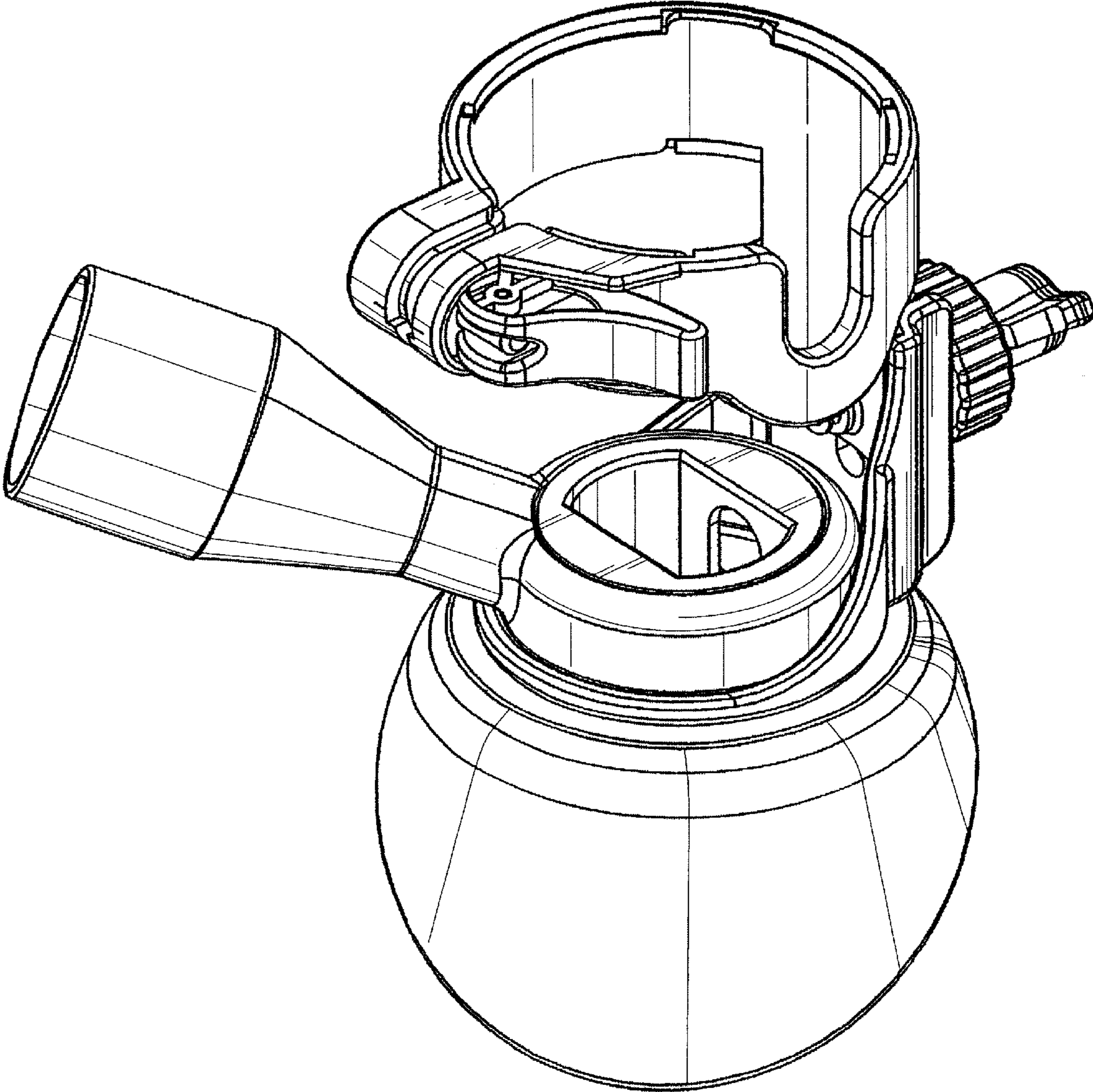


FIG. 2

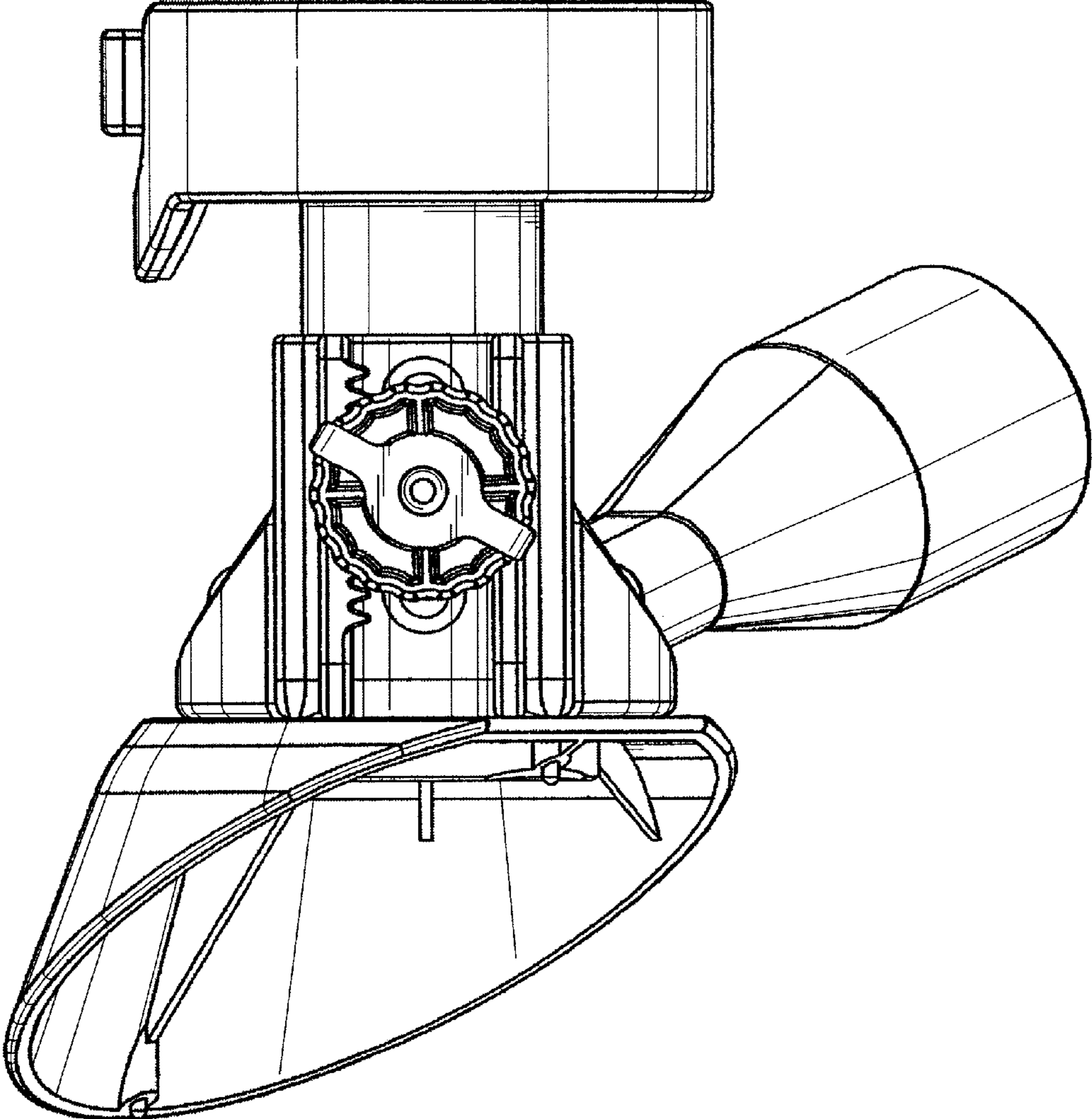


FIG. 3

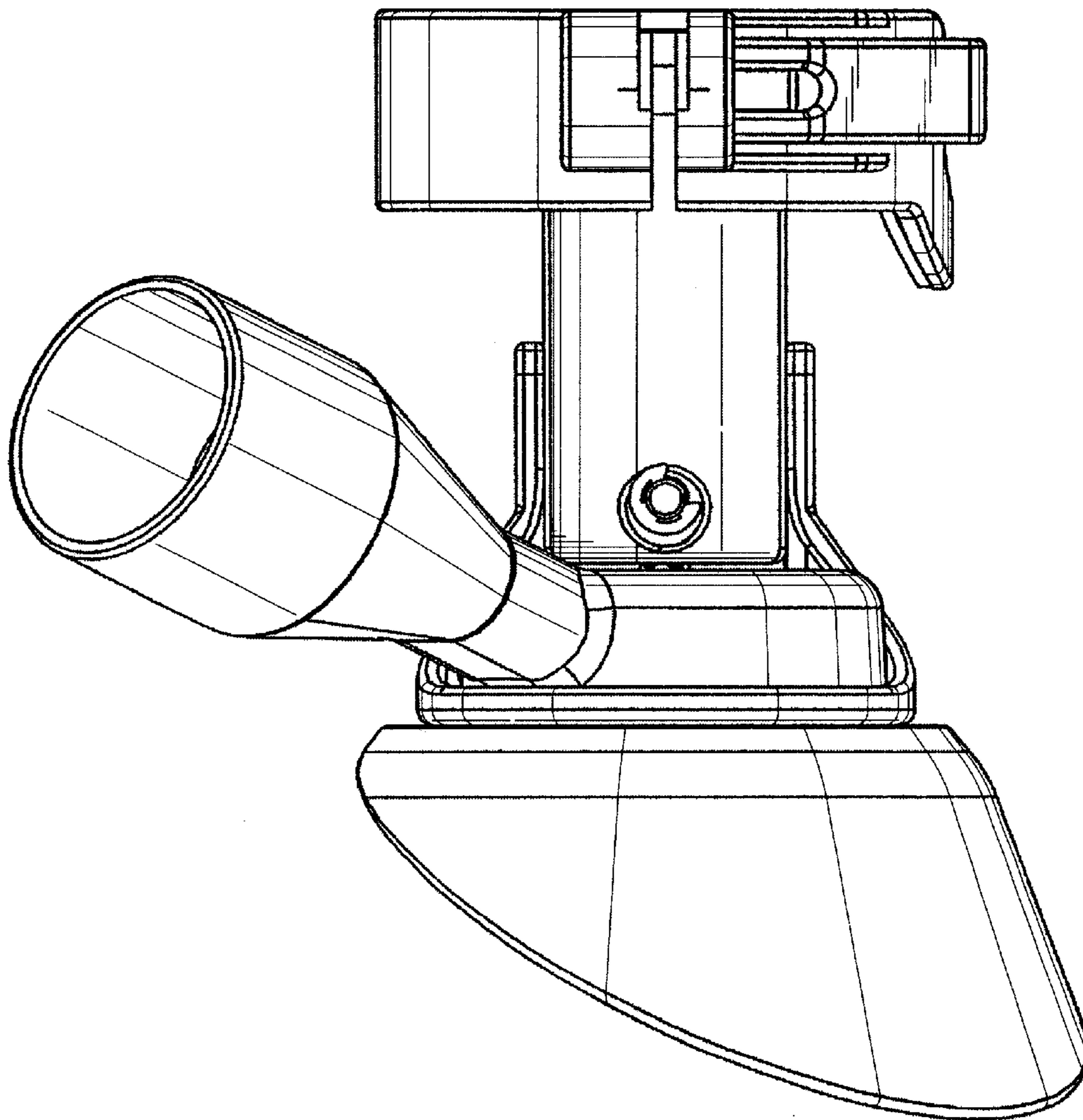


FIG. 4

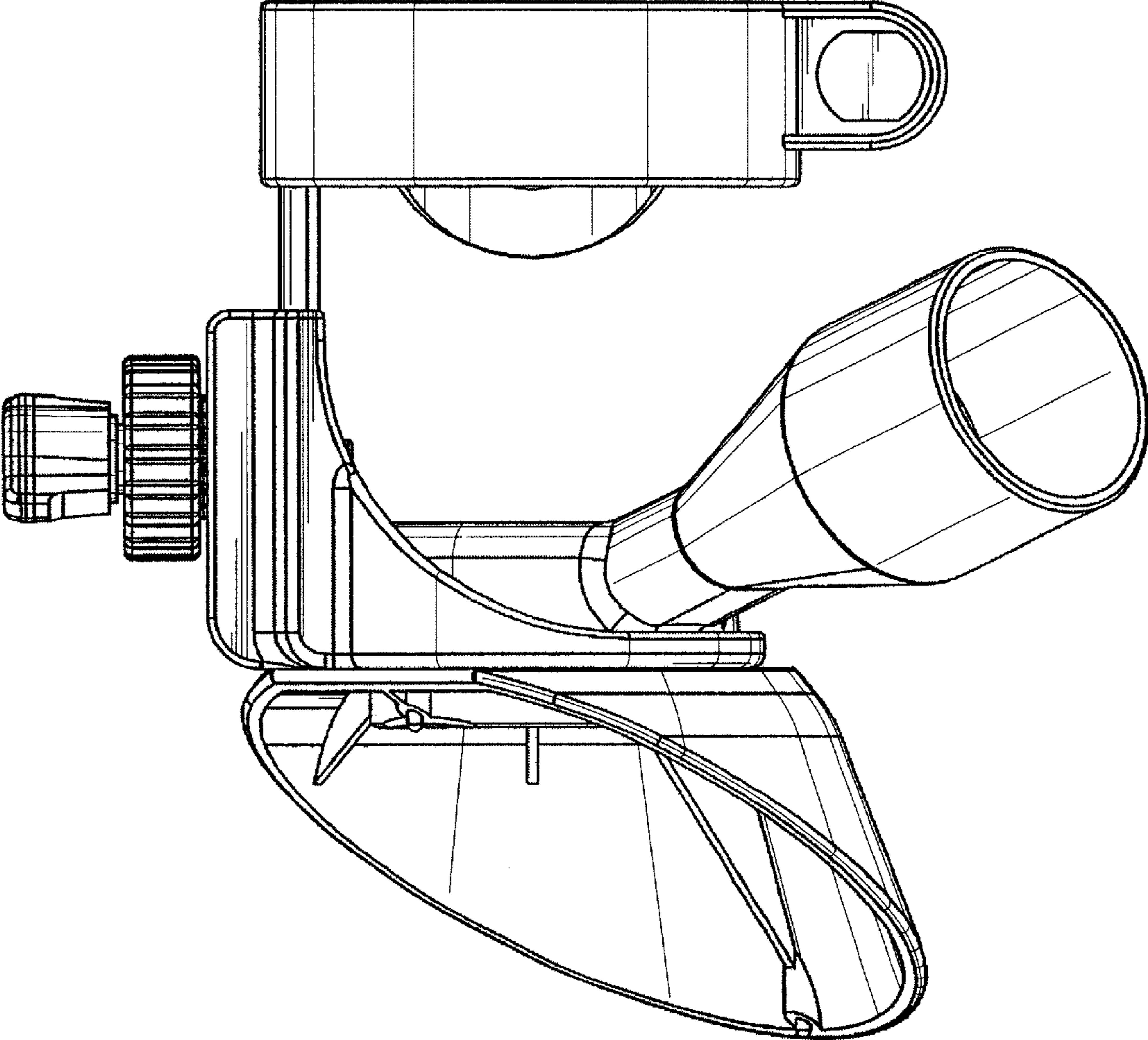


FIG. 5

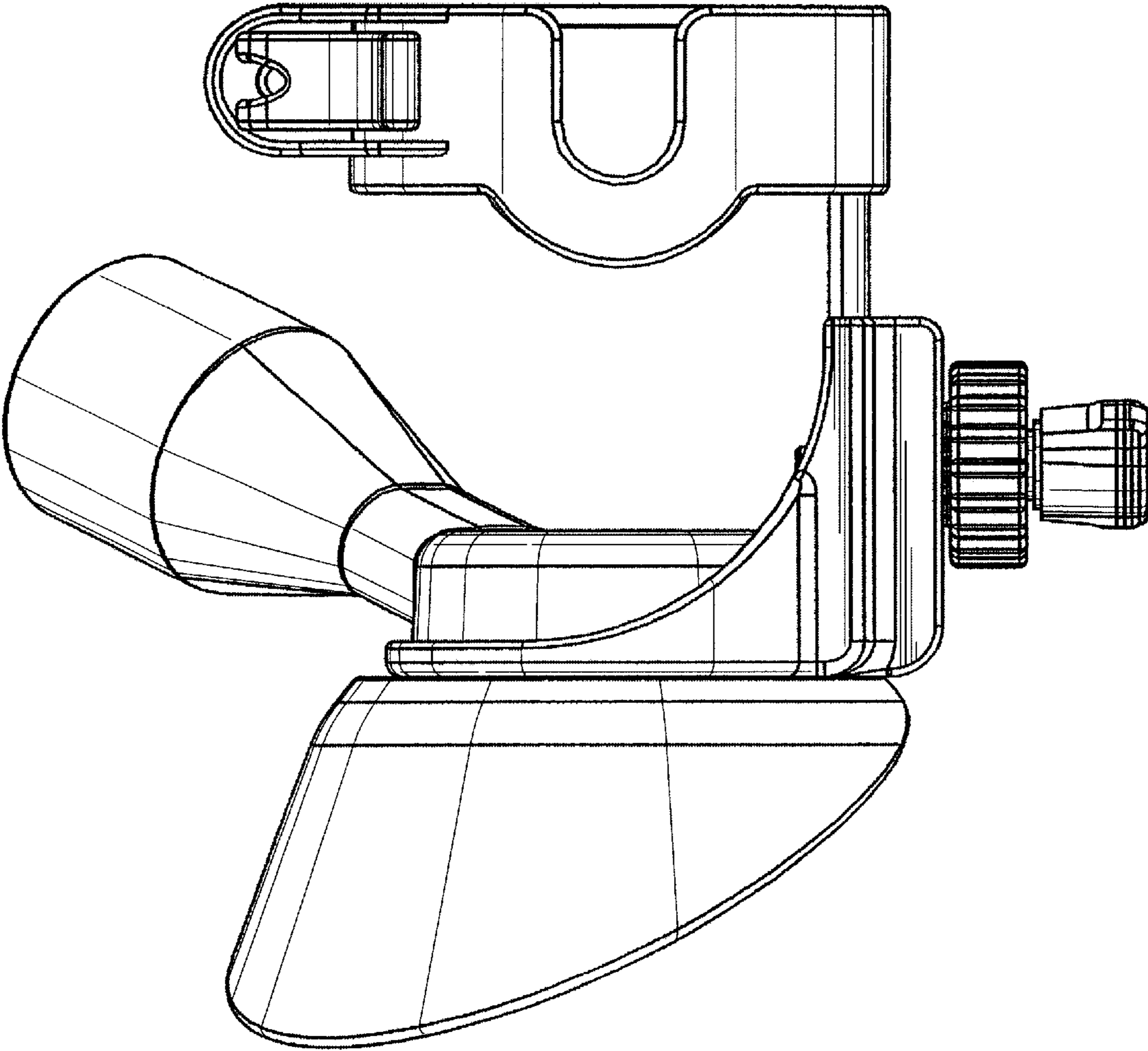


FIG. 6

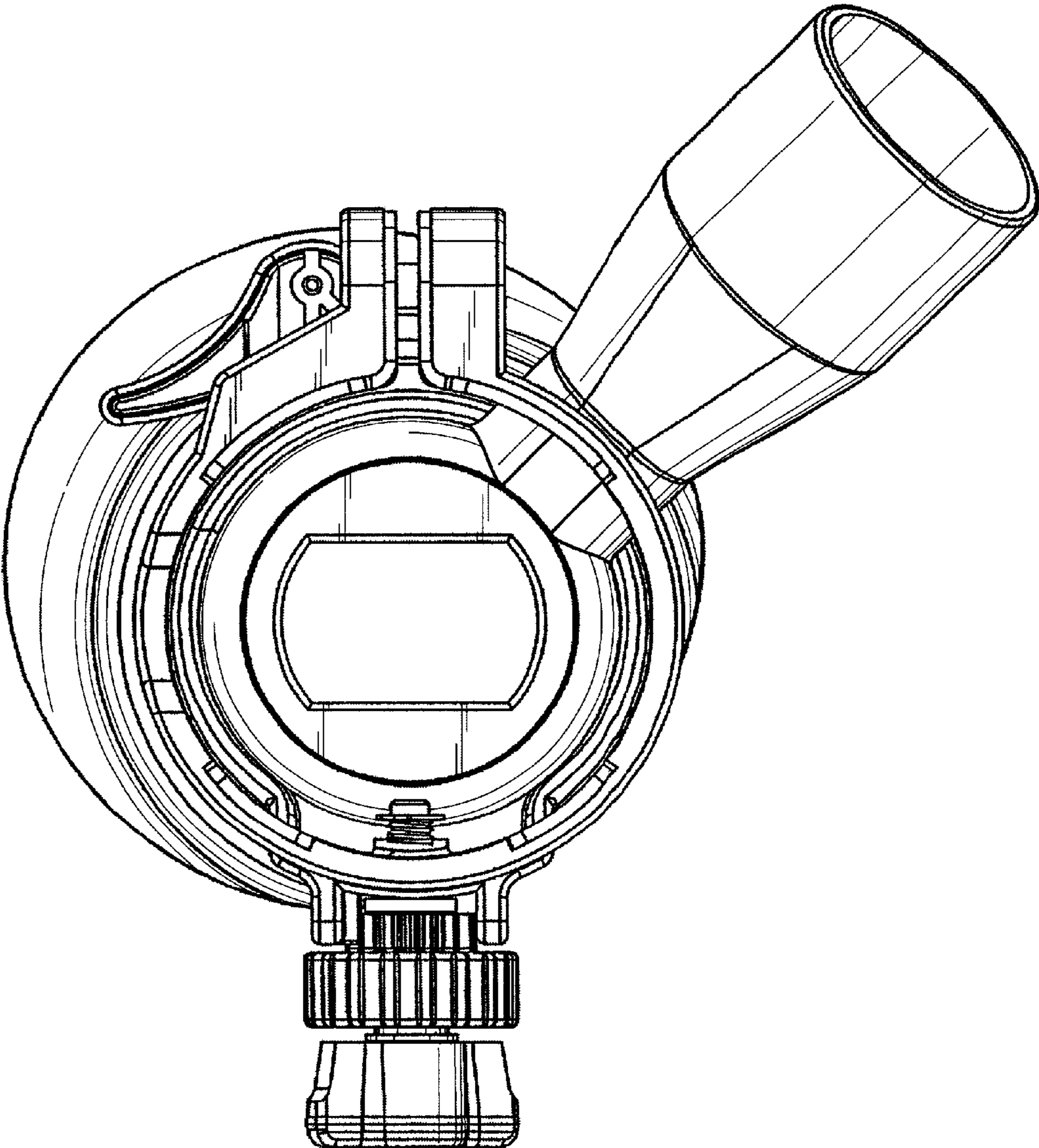


FIG. 7

UNITED STATES PATENT AND TRADEMARK OFFICE
CERTIFICATE OF CORRECTION

PATENT NO. : Des. 510,004 S
DATED : September 27, 2005
INVENTOR(S) : Heun

Page 1 of 1

It is certified that error appears in the above-identified patent and that said Letters Patent is hereby corrected as shown below:

Title page.

Insert Item -- [30] **Foreign Application Priority Data**

Jun. 11, 2004 (EU)000188644 --.

Signed and Sealed this

Third Day of January, 2006

A handwritten signature in black ink on a dotted background. The signature reads "Jon W. Dudas" in a cursive style.

JON W. DUDAS

Director of the United States Patent and Trademark Office