



US00D510003S

(12) **United States Design Patent** (10) **Patent No.:** **US D510,003 S**
Moore (45) **Date of Patent:** **** Sep. 27, 2005**

(54) **BOW RAKE HEAD**

(76) Inventor: **Don L. Moore**, P.O. Box 1022, West Plains, MO (US) 65775

(**) Term: **14 Years**

(21) Appl. No.: **29/197,977**

(22) Filed: **Jan. 22, 2004**

(51) **LOC (8) Cl.** **08-01**

(52) **U.S. Cl.** **D8/13**

(58) **Field of Search** D8/13; 56/400.01, 56/400.04, 400.05, 400.17, 400.21

(56) **References Cited**

U.S. PATENT DOCUMENTS

- 4,174,003 A * 11/1979 Zepeda 172/375
- D352,874 S * 11/1994 Garcia D8/13
- D413,234 S * 8/1999 Spear D8/13
- D418,734 S * 1/2000 Ritrovato et al. D8/107
- D477,195 S * 7/2003 Stojanovich D8/13

* cited by examiner

Primary Examiner—Holly Baynham

(74) *Attorney, Agent, or Firm*—Walker, McKenzie & Walker, P.C.

(57) **CLAIM**

The ornamental structure for an bow rake head, as shown and described.

DESCRIPTION

FIG. 1 is a top plan view of a bow rake head, showing a preferred embodiment of my new design.

FIG. 2 is a rear elevation view of the bow rake head of FIG. 1.

FIG. 3 is a left side elevation view of the bow rake head of FIG. 1, the right side elevation being a mirror image thereof.

FIG. 4 is a bottom plan view of the bow rake head of FIG. 1.

FIG. 5 is a front elevation view of the bow rake head of FIG. 1; and,

FIG. 6 is a perspective view of the bow rake head of FIG. 1, as viewed from the top.

Certain environmental structure, including parts of a rake handle, is shown in broken lines in the drawings for illustrative purposes only and forms no part of the claimed design.

1 Claim, 3 Drawing Sheets

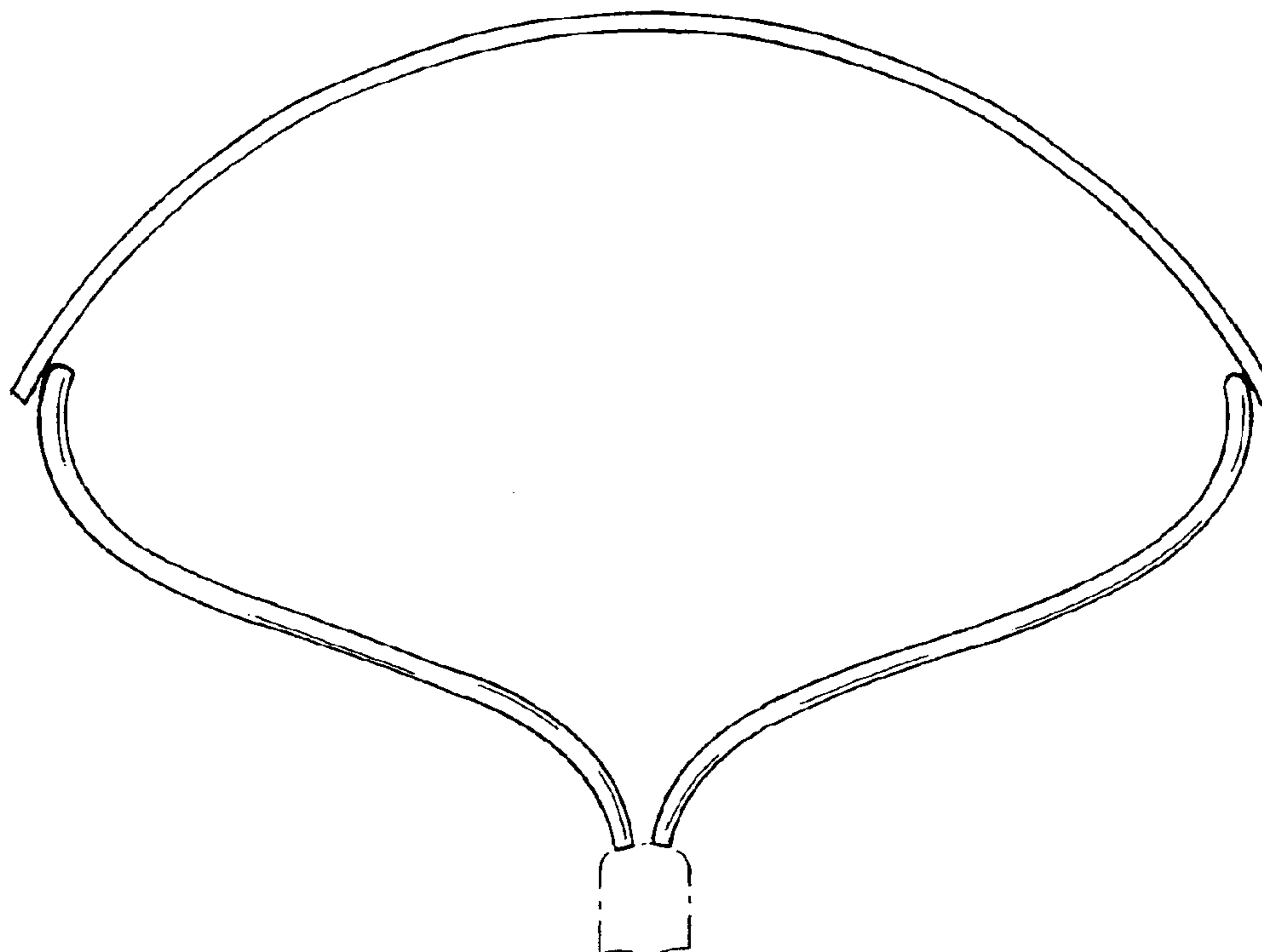


FIG. 1

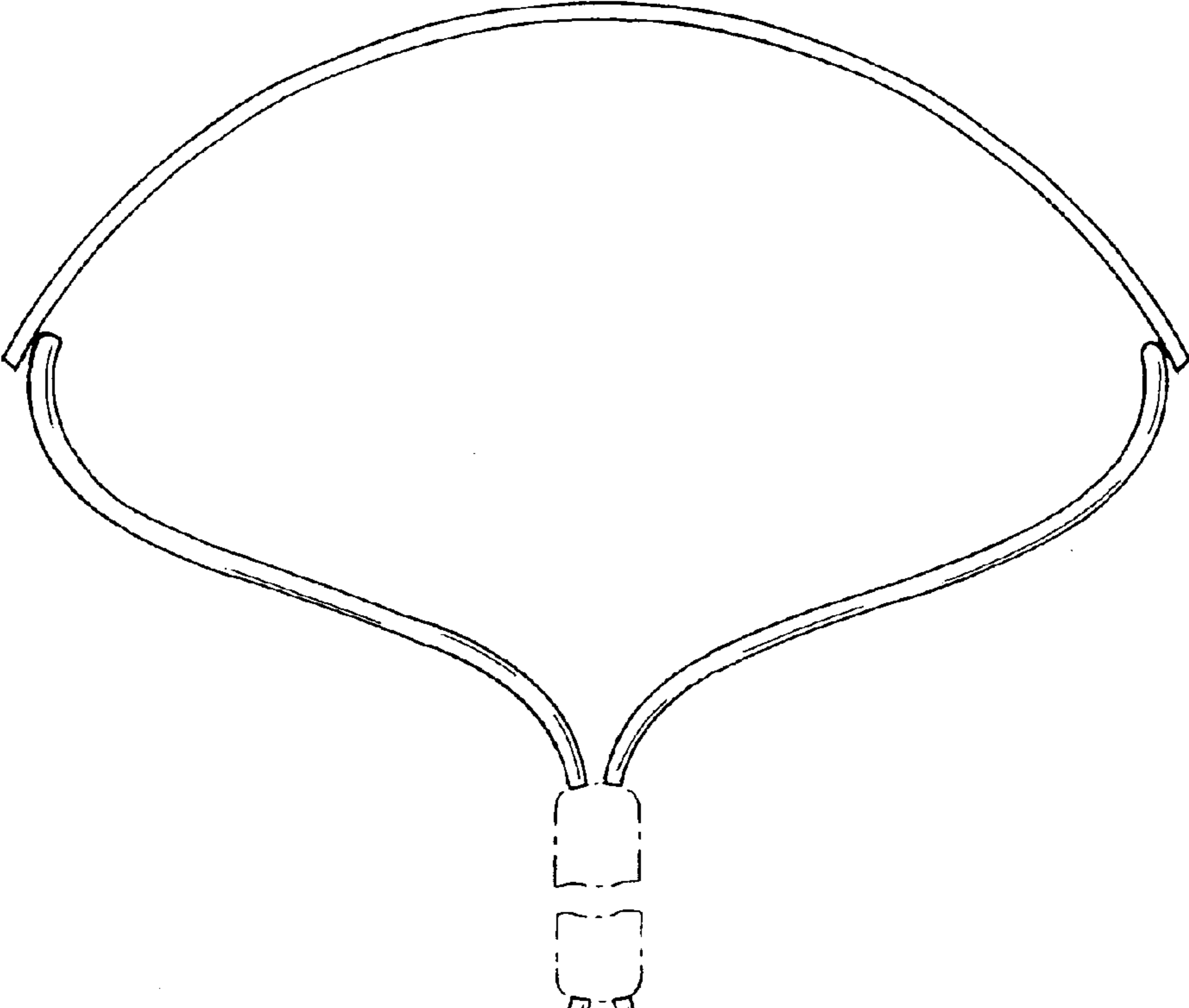
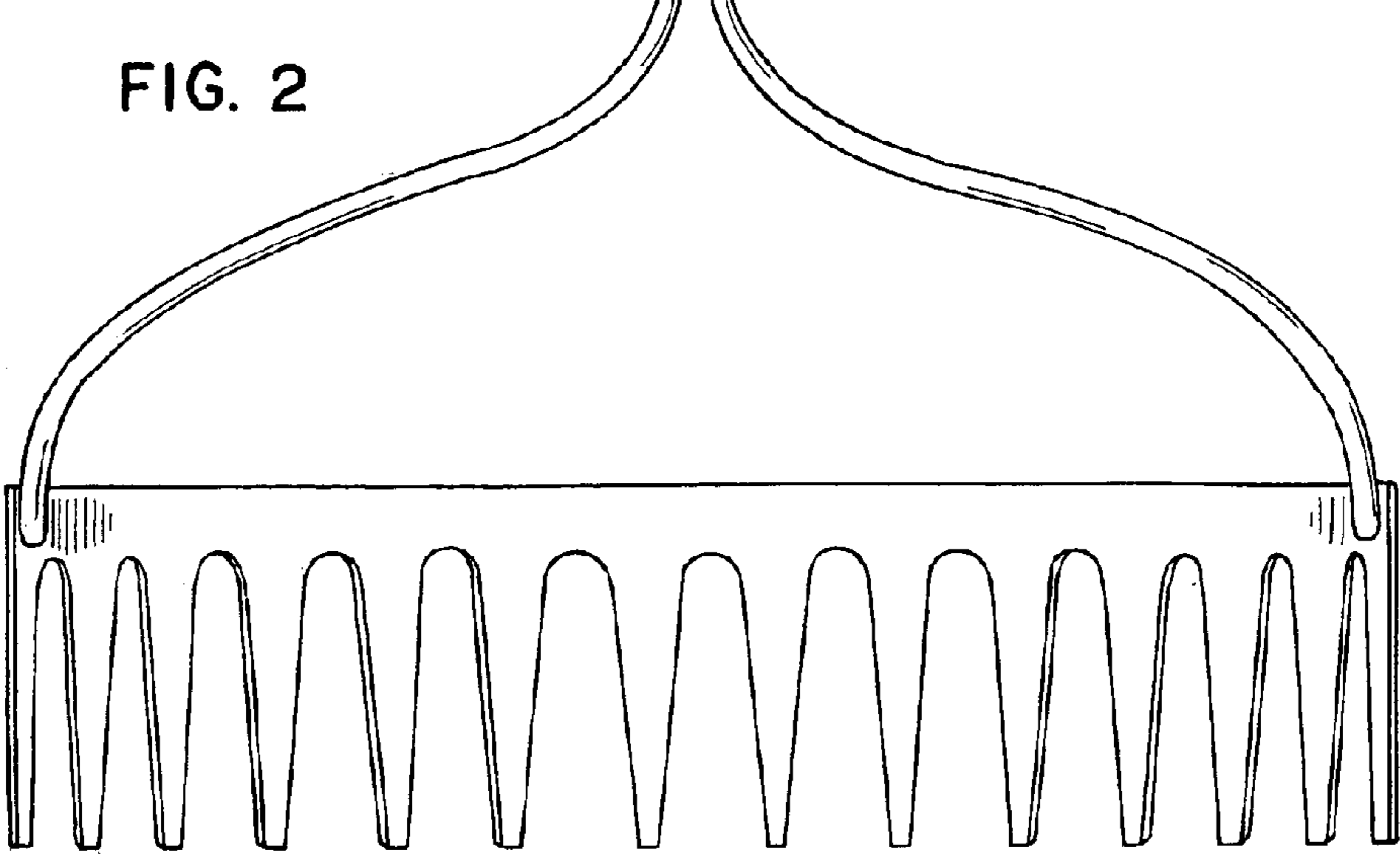


FIG. 2



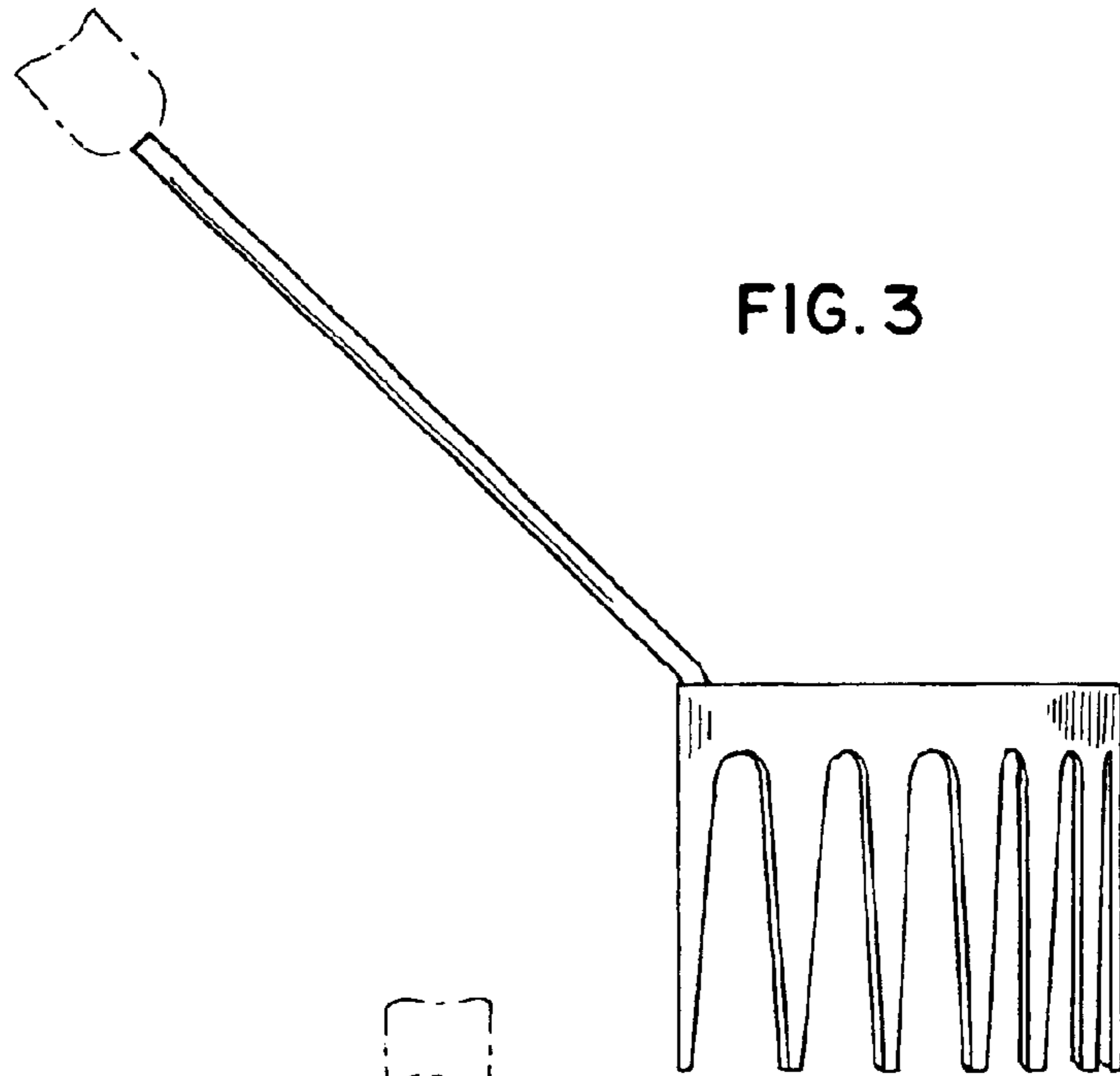


FIG. 3

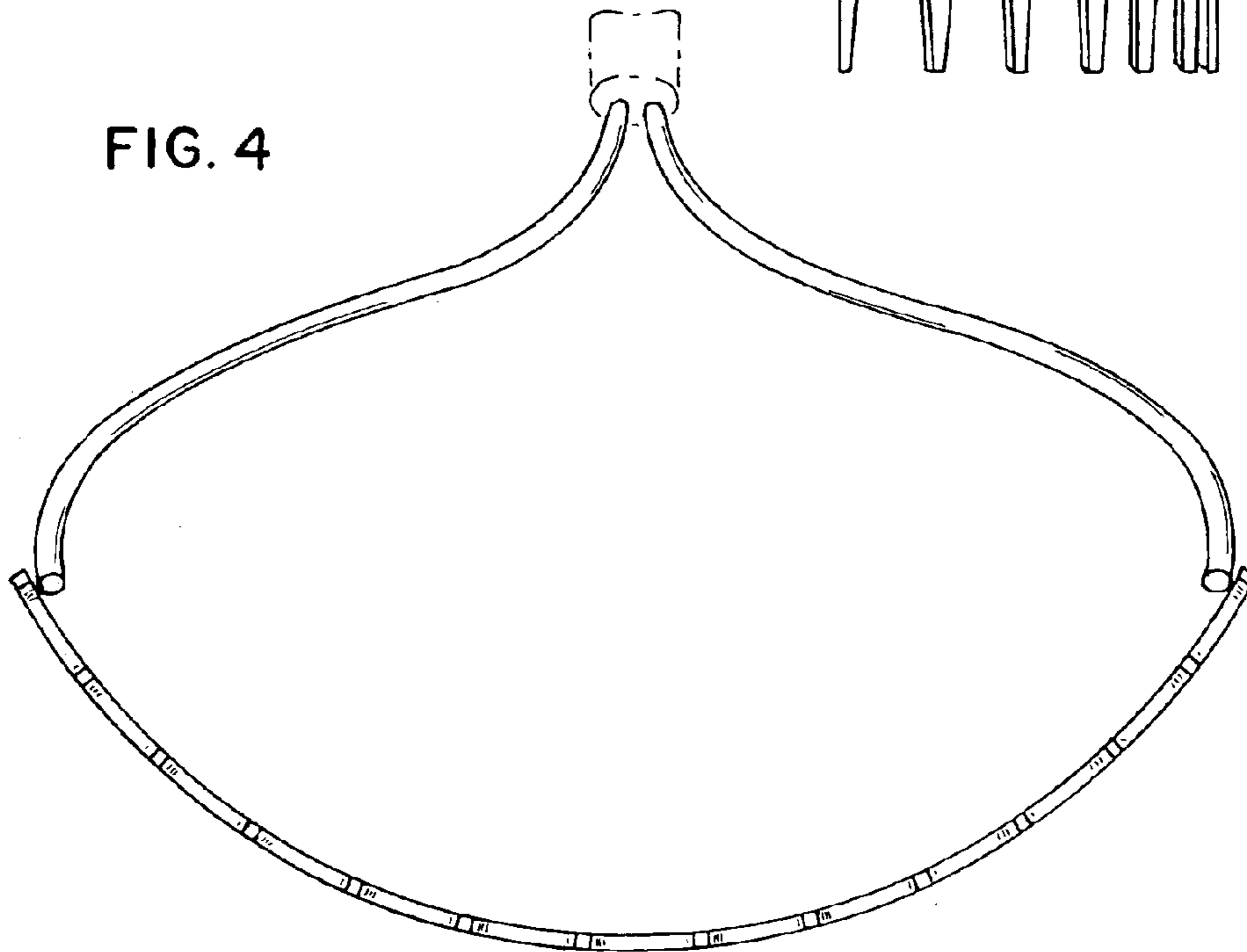


FIG. 4

FIG. 5

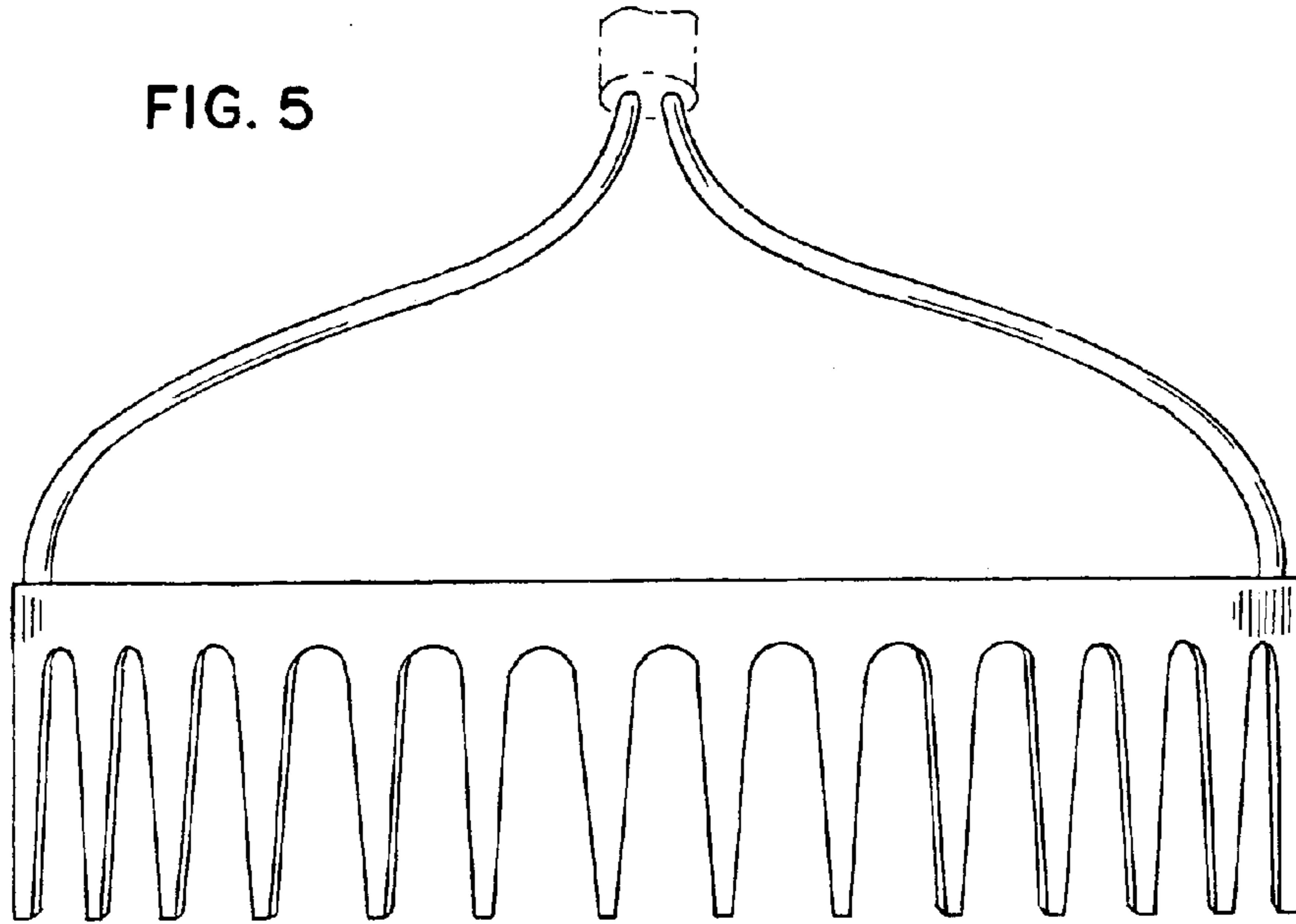


FIG. 6

