

US00D510000S

(12) **United States Design Patent**  
**Lion et al.**

(10) **Patent No.:** **US D510,000 S**  
(45) **Date of Patent:** **\*\* Sep. 27, 2005**

(54) **SPATULA**

D443,186 S \* 6/2001 Kaposi ..... D7/692  
D458,090 S \* 6/2002 Veltri et al. .... D7/688

(75) Inventors: **Mathieu Lion**, Paris (FR); **Lucas Bignon**, Cachan (FR)

\* cited by examiner

(73) Assignee: **Mastrad SA**, Paris (FR)

*Primary Examiner*—Terry A. Wallace  
(74) *Attorney, Agent, or Firm*—Cowan, Liebowitz & Latman, P.C.; Mark Montague

(\*\*) Term: **14 Years**

(57) **CLAIM**

(21) Appl. No.: **29/203,180**

An ornamental design for an spatula, as shown and described.

(22) Filed: **Apr. 8, 2004**

(51) **LOC (8) Cl.** ..... **07-06**

(52) **U.S. Cl.** ..... **D7/692**

(58) **Field of Search** ..... D7/688, 692; 30/324–328;  
294/1.1, 7, 8, 55

**DESCRIPTION**

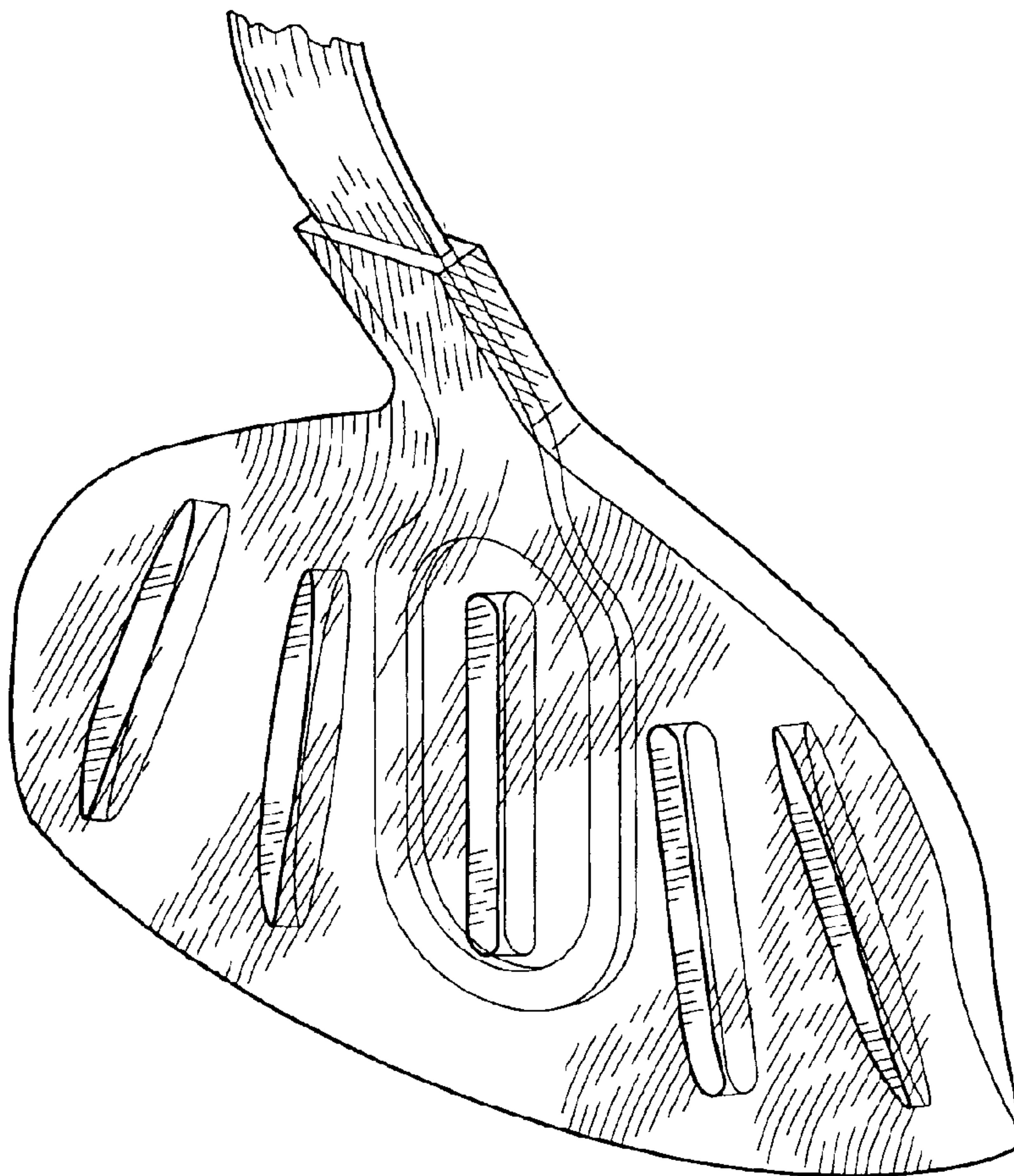
(56) **References Cited**

FIG. 1 is a perspective view of the spatula showing my new design;  
FIG. 2 is a front view thereof;  
FIG. 3 is a rear view thereof;  
FIG. 4 is a side view thereof;  
FIG. 5 is a top plan view thereof; and,  
FIG. 6 is a bottom plan view thereof.

**U.S. PATENT DOCUMENTS**

3,004,341 A \* 10/1961 Carroll et al. .... 30/325  
D306,115 S \* 2/1990 Zimmerman ..... D7/692  
D392,850 S \* 3/1998 Zeller ..... D7/692

**1 Claim, 3 Drawing Sheets**



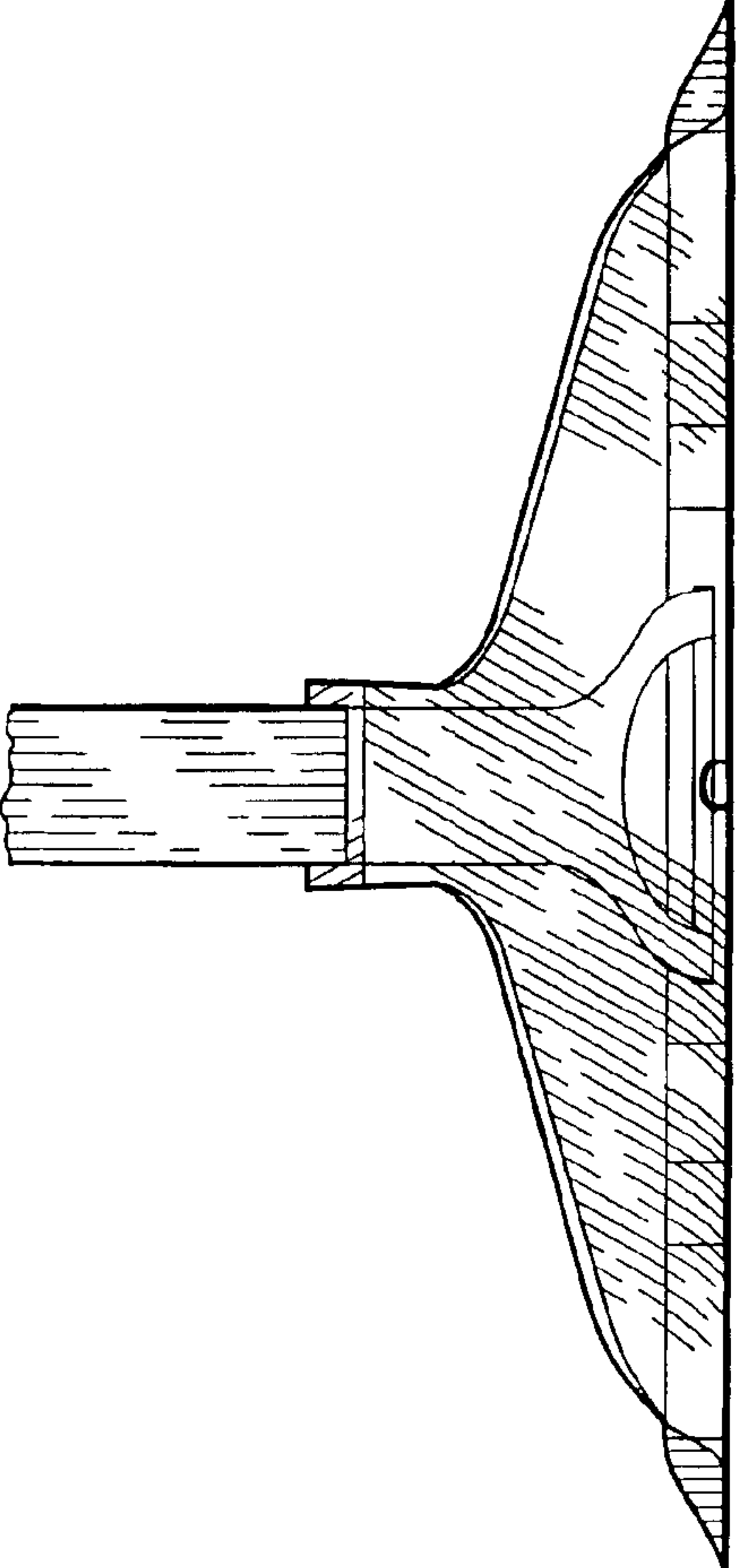


FIG. 6

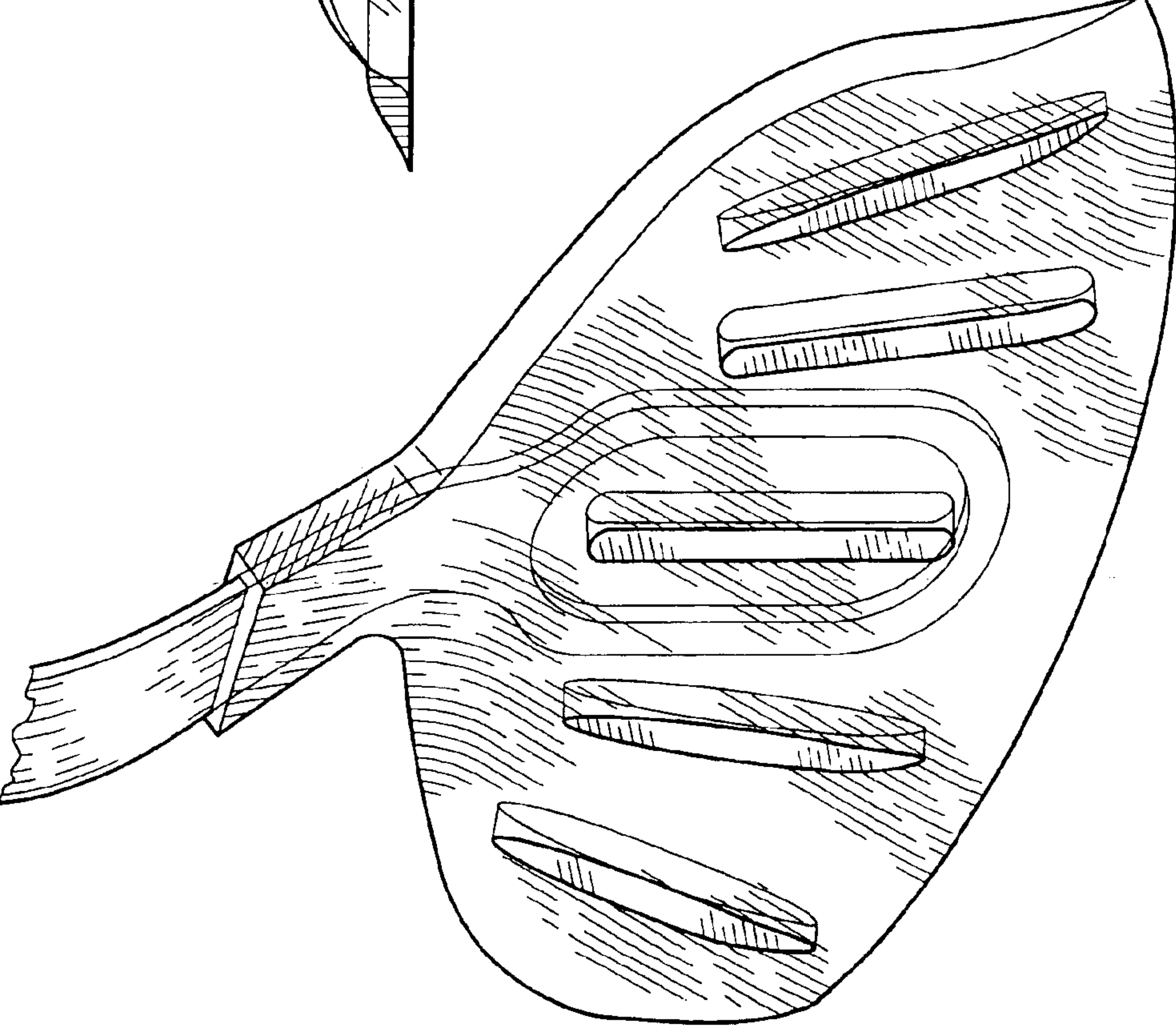


FIG. 1

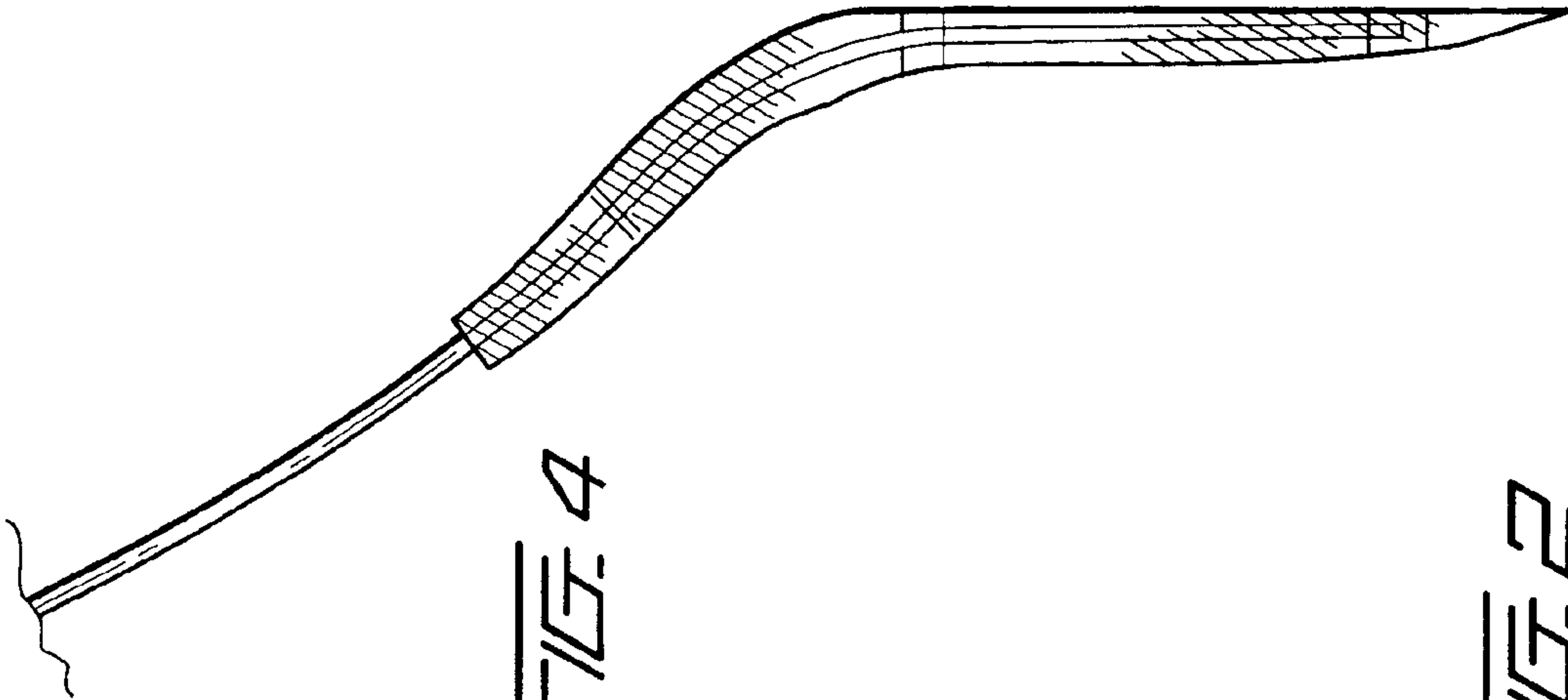


FIG. 4

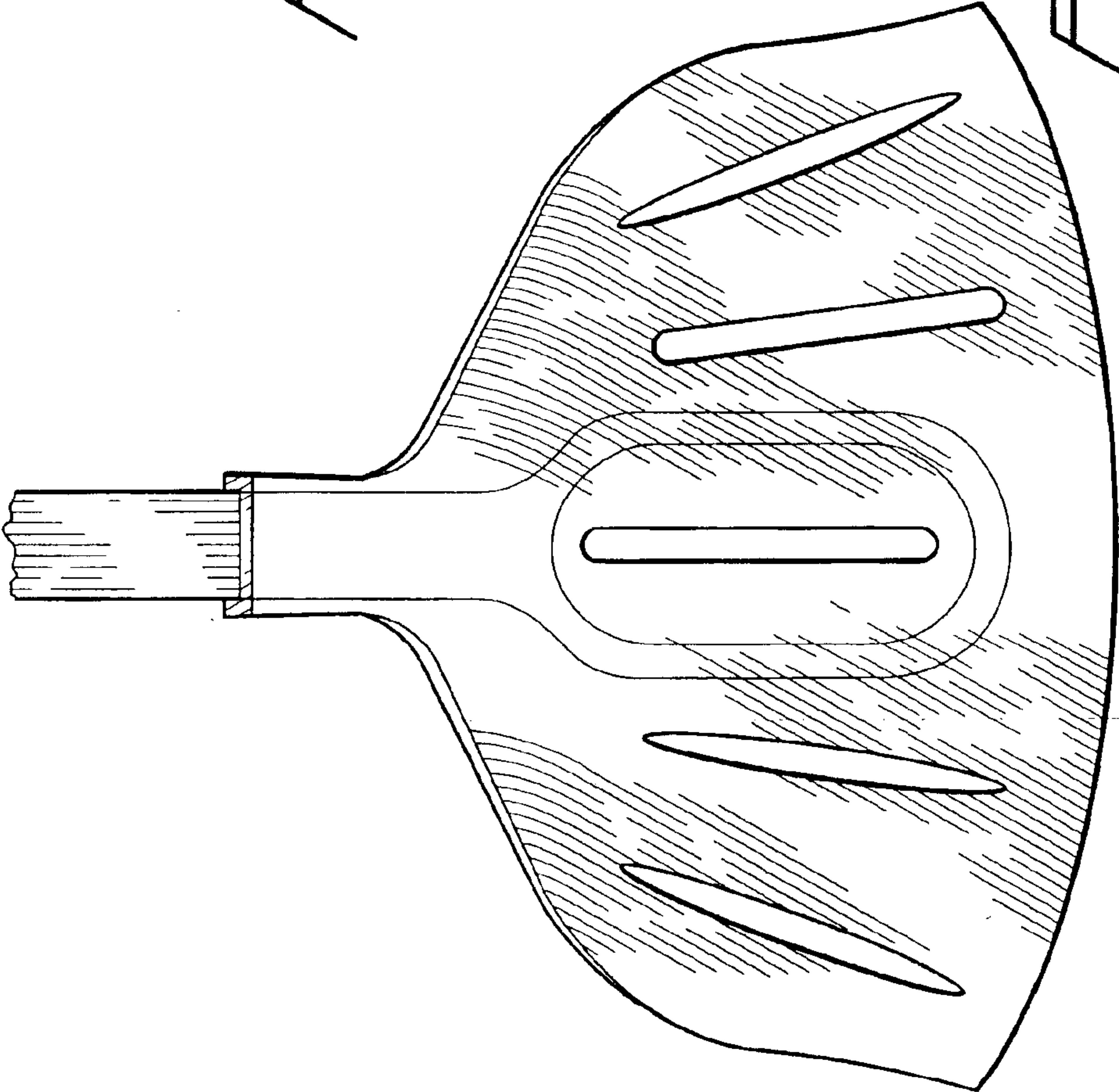


FIG. 2



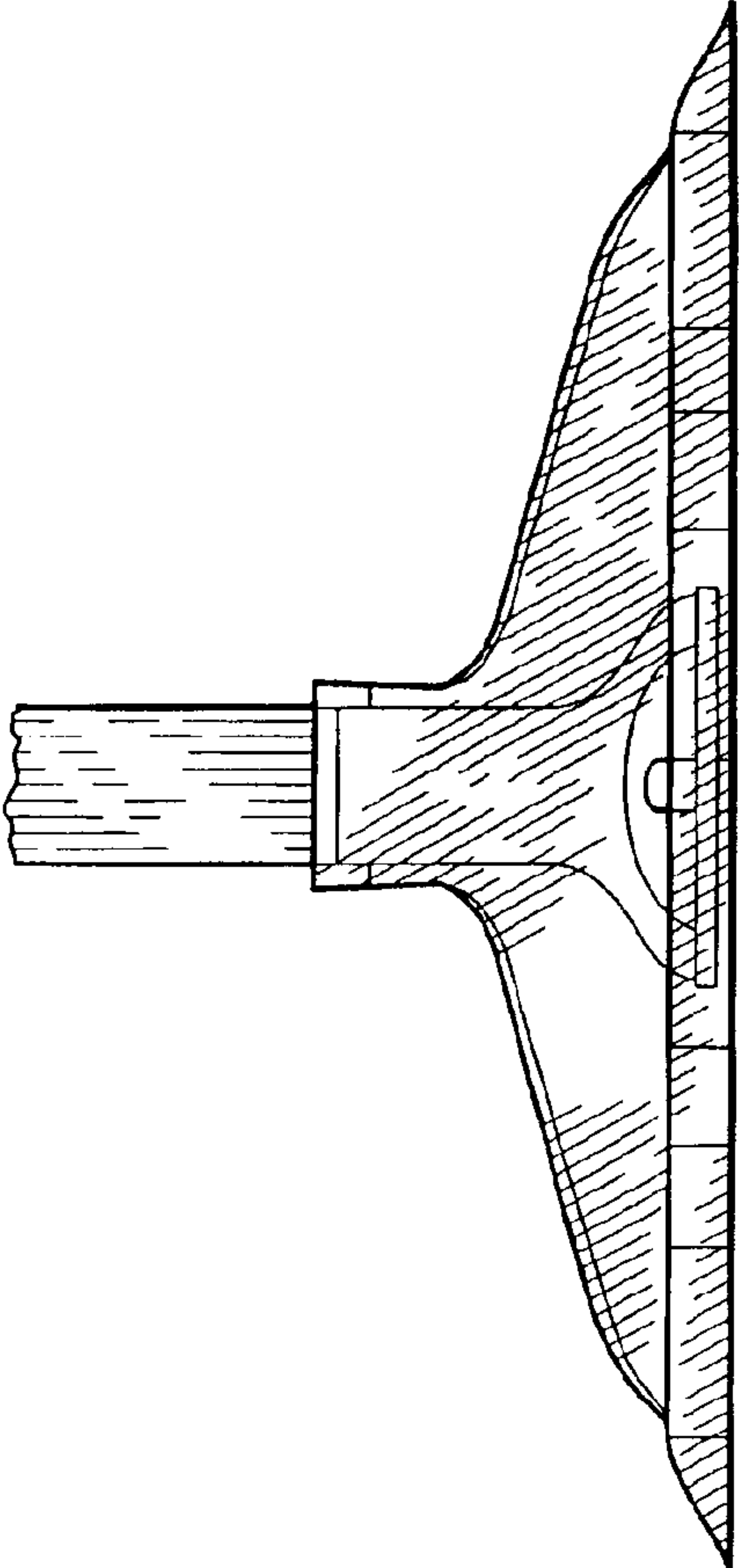


FIG. 5

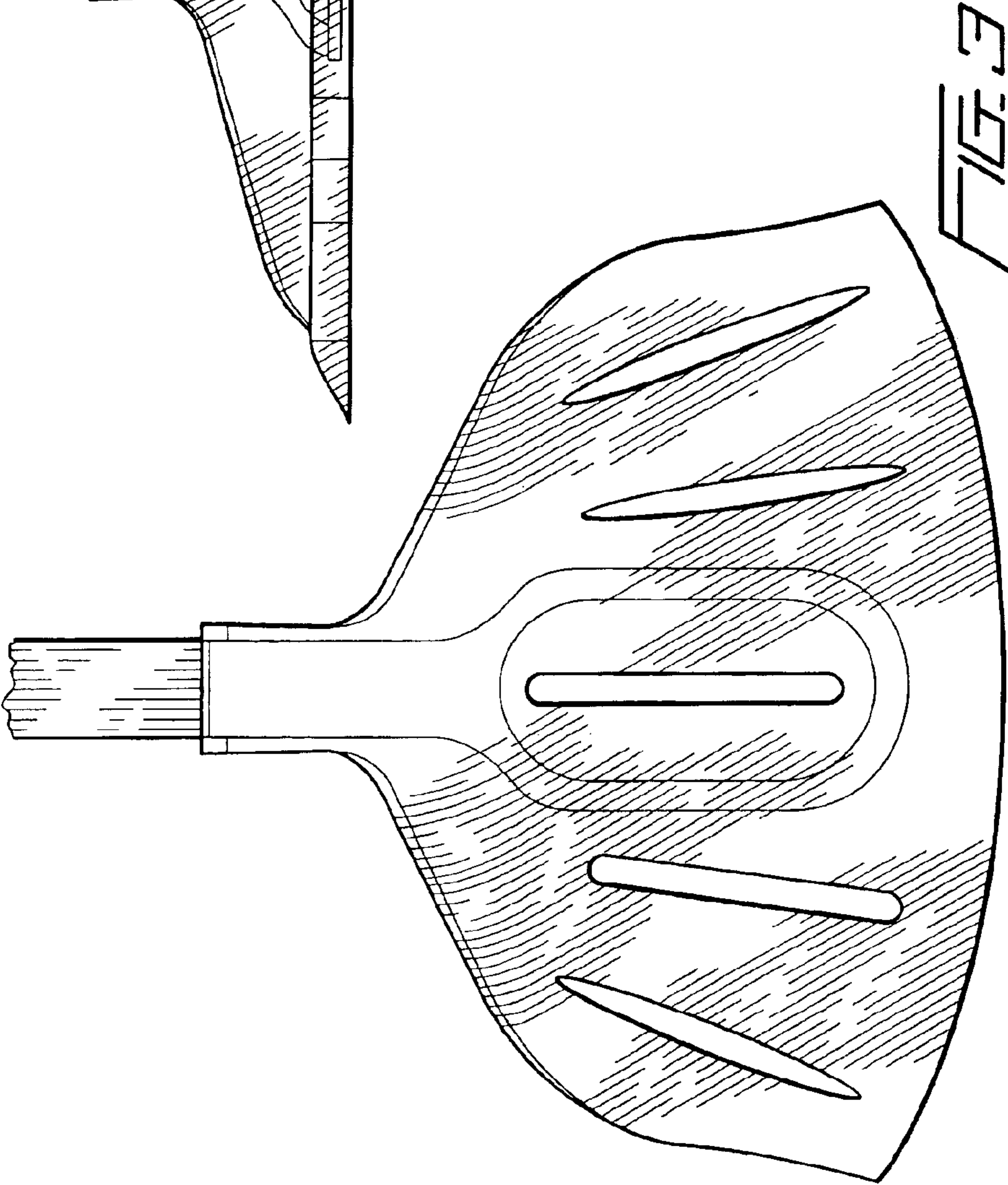


FIG. 3