

US00D509989S

(12) **United States Design Patent**
Steinberg et al.

(10) **Patent No.:** **US D509,989 S**

(45) **Date of Patent:** **** Sep. 27, 2005**

(54) **WAFFLE MAKER**

(75) Inventors: **Howard Steinberg**, Shelton, CT (US);
Amelia Herdrich, New York, NY (US);
Michelle Caporaso, Monroe, CT (US);
Devin Moore, Decatur, GA (US);
Nheeda Enriquez, Jersey City, NJ (US)

(73) Assignee: **Conair Corporation**, Stamford, CT (US)

(**) Term: **14 Years**

(21) Appl. No.: **29/205,830**

(22) Filed: **May 20, 2004**

(51) **LOC (8) Cl.** **07-02**

(52) **U.S. Cl.** **D7/352**

(58) **Field of Search** D7/323, 328-330,
D7/352, 390; 99/331, 332, 339, 349, 357,
376, 375, 385; 219/388, 405, 450.1; D21/525

(56) **References Cited**

U.S. PATENT DOCUMENTS

D86,863 S	*	4/1932	Rohne	D7/352
D96,447 S	*	8/1935	Chapman	D7/352
D102,775 S	*	1/1937	Anderson	D7/352
D119,282 S	*	3/1940	Reinecke et al.	D7/352

D123,566 S	*	11/1940	Christenson et al.	D7/352
2,358,452 A	*	9/1944	Garstang	99/376
D276,208 S	*	11/1984	LaDuca et al.	D7/352
D419,823 S	*	2/2000	Choi	D7/352

* cited by examiner

Primary Examiner—Caron D. Veynar

(74) *Attorney, Agent, or Firm*—Ohlandt, Greeley, Ruggiero & Perle, L.L.P.

(57) **CLAIM**

The ornamental design for a waffle maker, as shown and described.

DESCRIPTION

FIG. 1 is a perspective view of a waffle maker according to the present invention;

FIG. 2 is a front view of the waffle maker of FIG. 1;

FIG. 3 is a rear view of the waffle maker of FIG. 2;

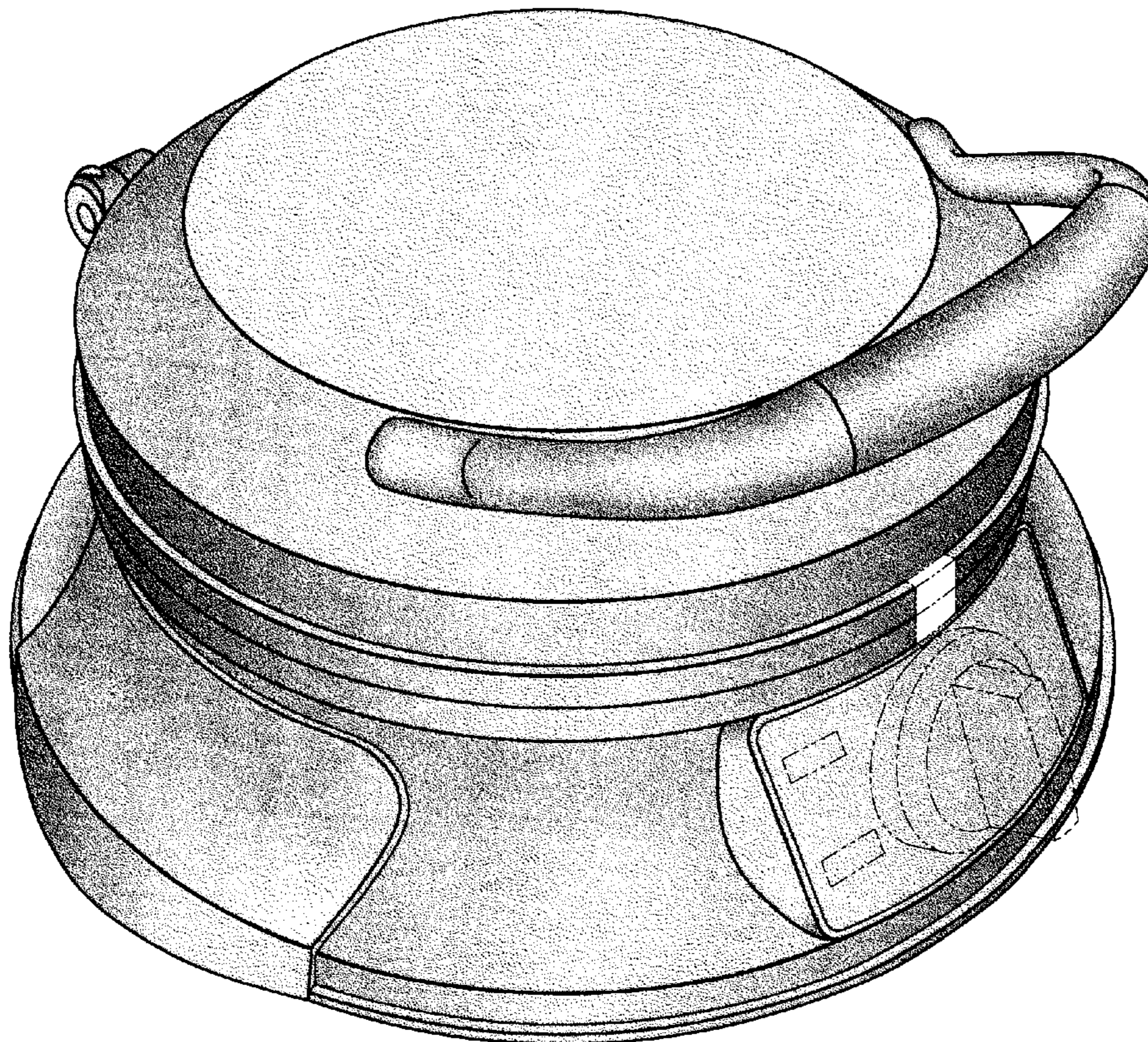
FIG. 4 is a left side elevation view of the waffle maker of FIG. 1;

FIG. 5 is a right side elevation view of the waffle maker of FIG. 4; and,

FIG. 6 is a top view of the waffle maker of FIG. 1.

The portions of the waffle maker shown in broken lines are for illustration purposes only and form no part of the claimed design.

1 Claim, 4 Drawing Sheets



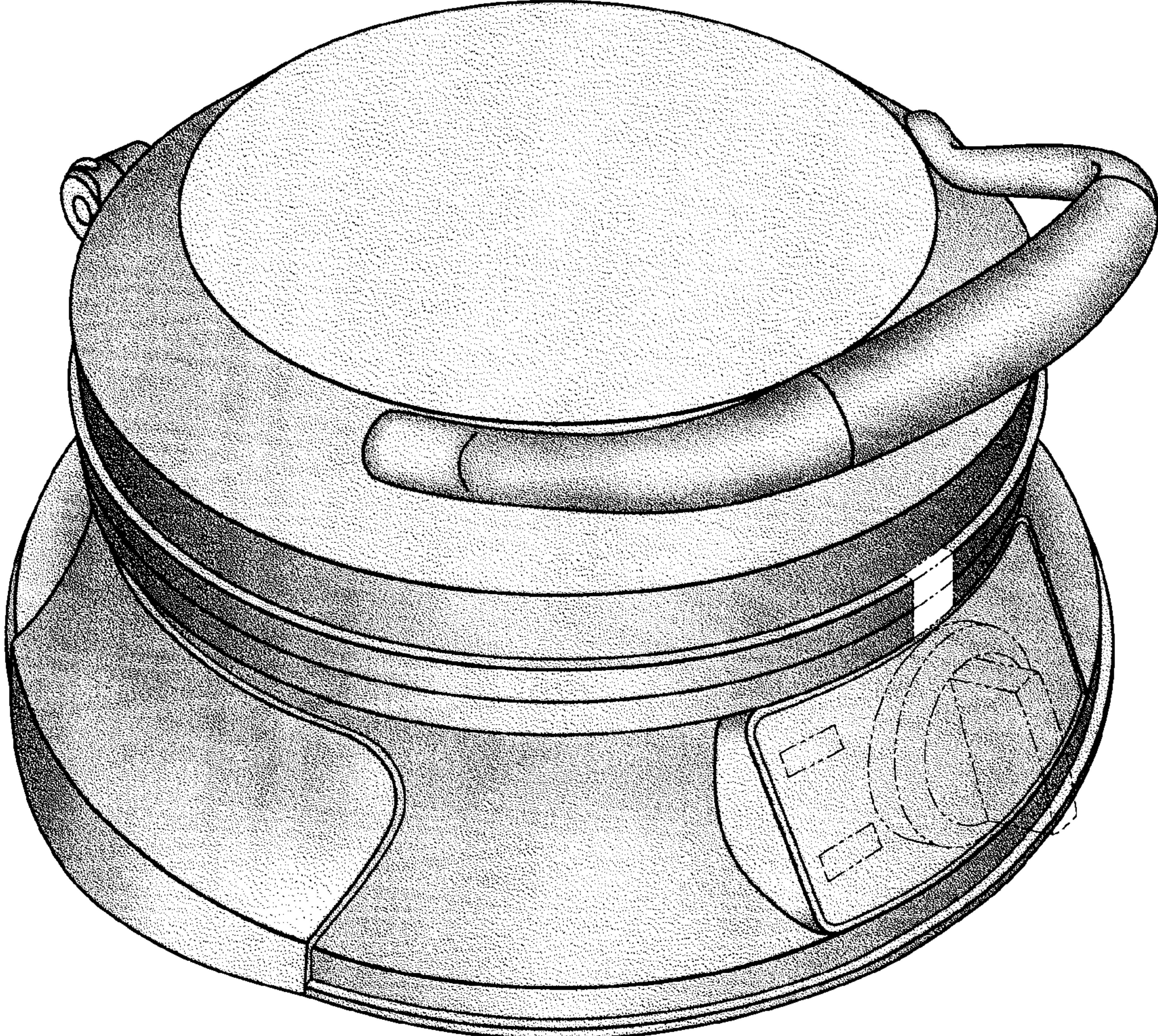


FIG. 1

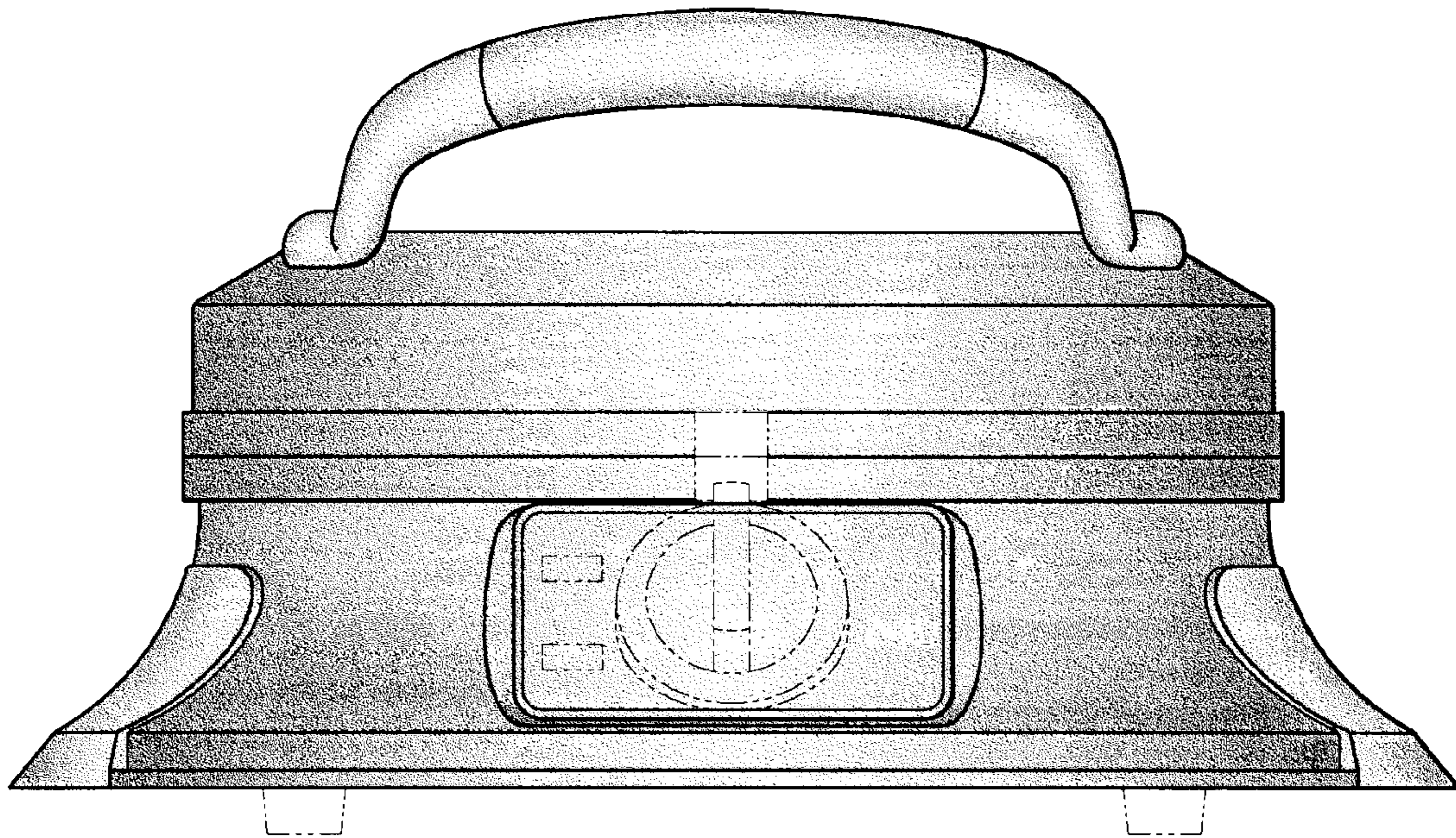


FIG. 2

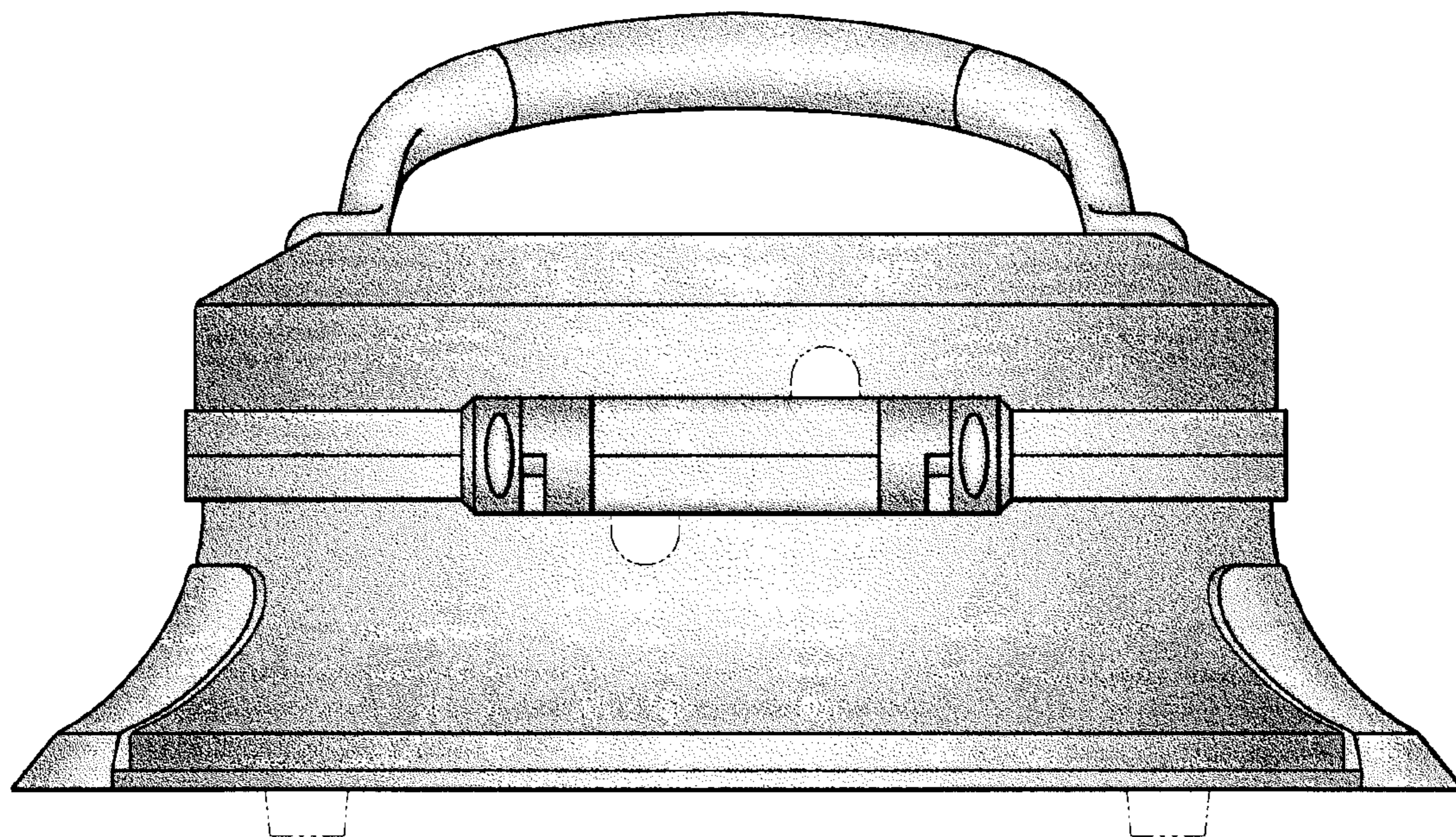


FIG. 3

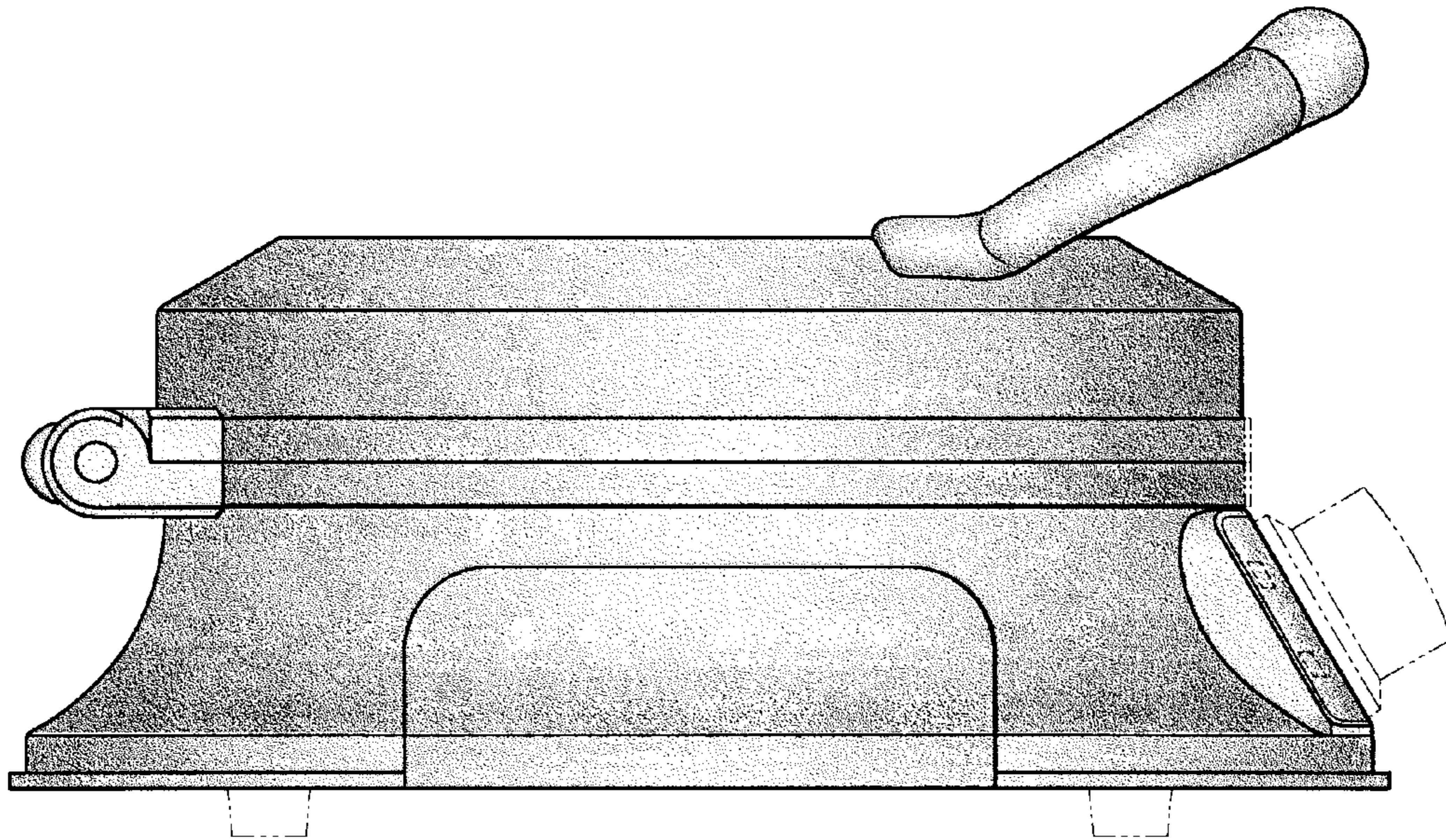


FIG. 4

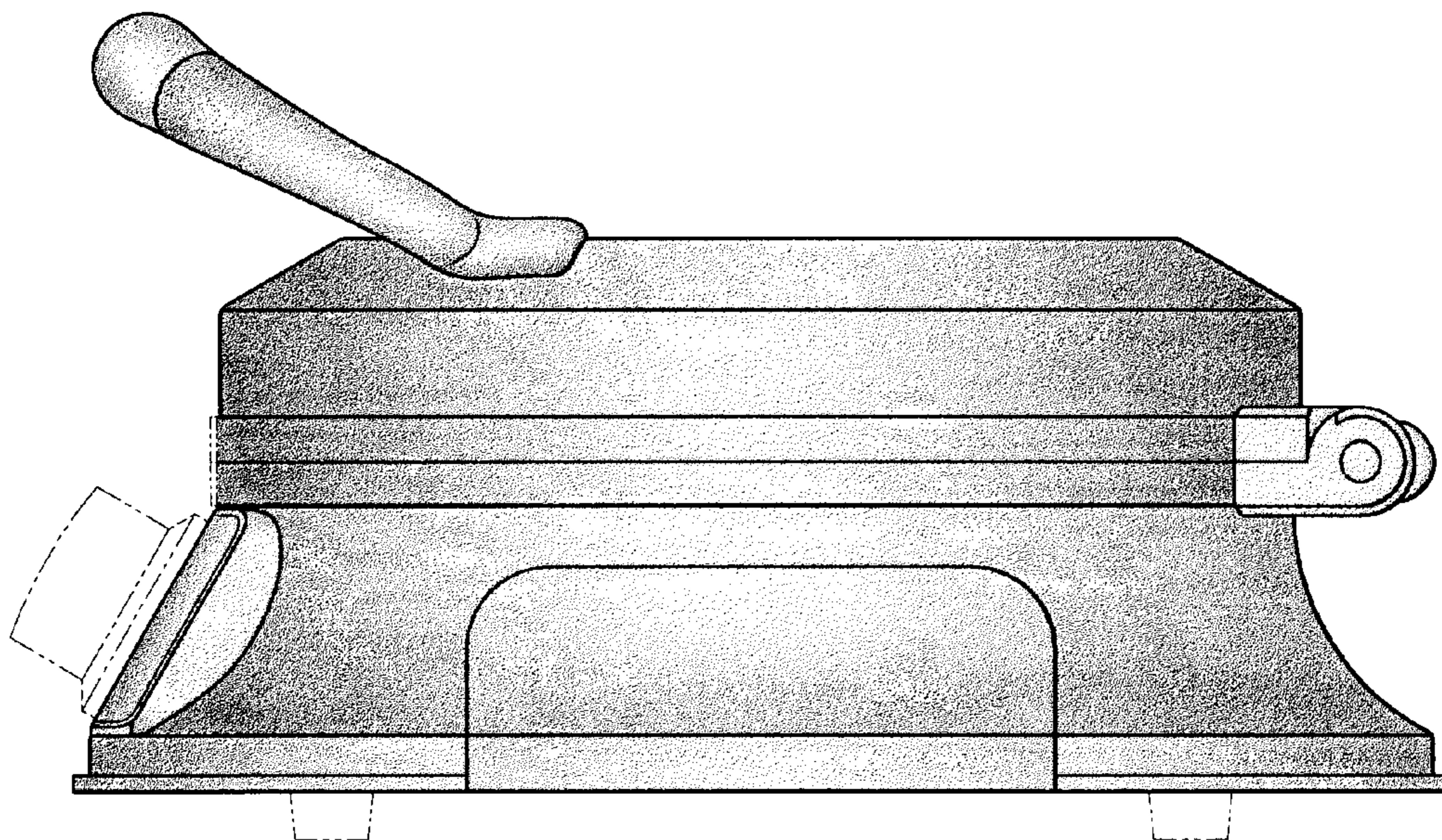


FIG. 5

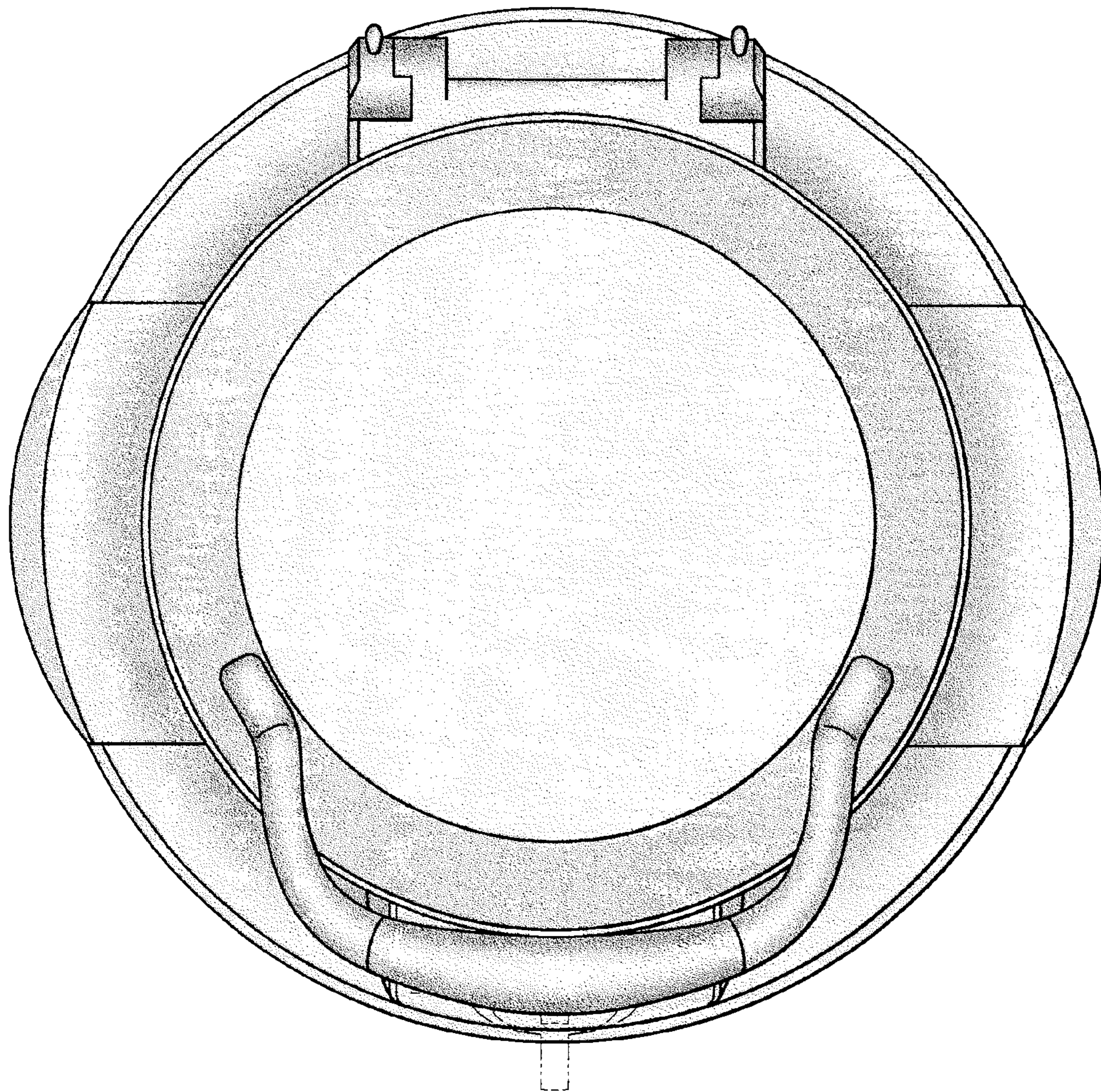


FIG. 6