

US00D509984S

(12) **United States Design Patent**
Zboch et al.

(10) **Patent No.:** **US D509,984 S**
(45) **Date of Patent:** **** Sep. 27, 2005**

(54) **BOTTLE PORTION**

(75) Inventors: **Gerald Zboch**, Barrington, IL (US);
Margo P. Pidgeon, Glen Ellyn, IL
(US); **Jeremy M. White**, Barrington, IL
(US); **Lance S. Oxley**, New Palestine,
IN (US)

(73) Assignee: **Stokely-Van Camp, Inc.**, Chicago, IL
(US)

(**) Term: **14 Years**

(21) Appl. No.: **29/181,503**

(22) Filed: **May 12, 2003**

(51) **LOC (8) Cl.** **09-01**

(52) **U.S. Cl.** **D6/667; D9/543; D9/569**

(58) **Field of Search** D9/667, 500-504,
D9/516, 520, 530-531, 541-543, 559-560,
563-570, 572-575; 215/379-383, 400;
220/890

(56) **References Cited**

U.S. PATENT DOCUMENTS

- D288,905 S 3/1987 Platte, Sr.
- D385,497 S 10/1997 Krishnakumar et al.
- D390,114 S 2/1998 Young
- D393,210 S 4/1998 Ewing, Jr.
- D431,470 S 10/2000 Henderson
- D448,302 S 9/2001 Cheng et al.
- D448,672 S 10/2001 Cheng et al.
- D448,674 S 10/2001 Mooney
- D449,538 S 10/2001 Bruleson et al.
- D452,158 S * 12/2001 Dygert D9/538
- D454,501 S * 3/2002 Tornaletti et al. D9/541
- D459,234 S * 6/2002 Bourque et al. D9/543

- D471,111 S * 3/2003 Kuzma et al. D9/543
- D472,816 S * 4/2003 Wright D9/543
- D478,514 S * 8/2003 Fai D9/531

* cited by examiner

Primary Examiner—Sandra L. Morris
(74) *Attorney, Agent, or Firm*—Lars S. Johnson; James D. Ryndak

(57) **CLAIM**

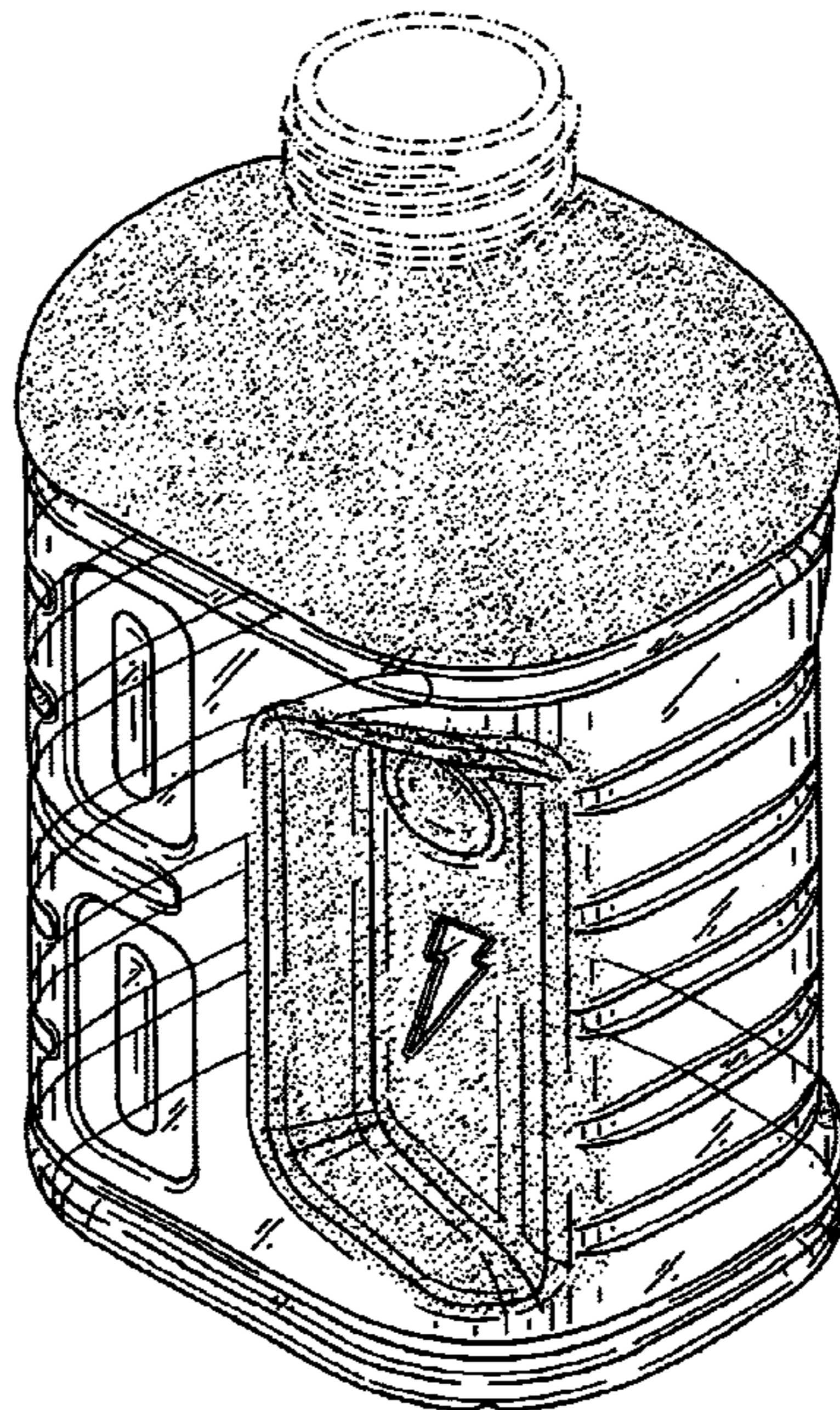
The ornamental design for a bottle portion, as shown and described.

DESCRIPTION

FIG. 1 is a perspective view of a bottle portion showing the new design;
 FIG. 2 is an elevational view thereof;
 FIG. 3 is another elevational view thereof, representing a half rotation of the bottle portion about its vertical axis from the elevational view depicted in FIG. 2;
 FIG. 4 is another elevational view thereof, representing a quarter rotation of the bottle portion about its vertical axis from the elevational view depicted in FIG. 2;
 FIG. 5 is another elevational view thereof, representing a half rotation of the bottle portion about its vertical axis from the elevational view depicted in FIG. 4;
 FIG. 6 is a top plan view thereof;
 FIG. 7 is a bottom plan view thereof;
 FIG. 8 is a perspective view of a second embodiment of a bottle portion showing the new design; and,
 FIG. 9 is an elevational view thereof, the opposite elevational view being identical.

The broken line showing is for illustrative purposes only, and forms no part of the claimed design.

1 Claim, 7 Drawing Sheets



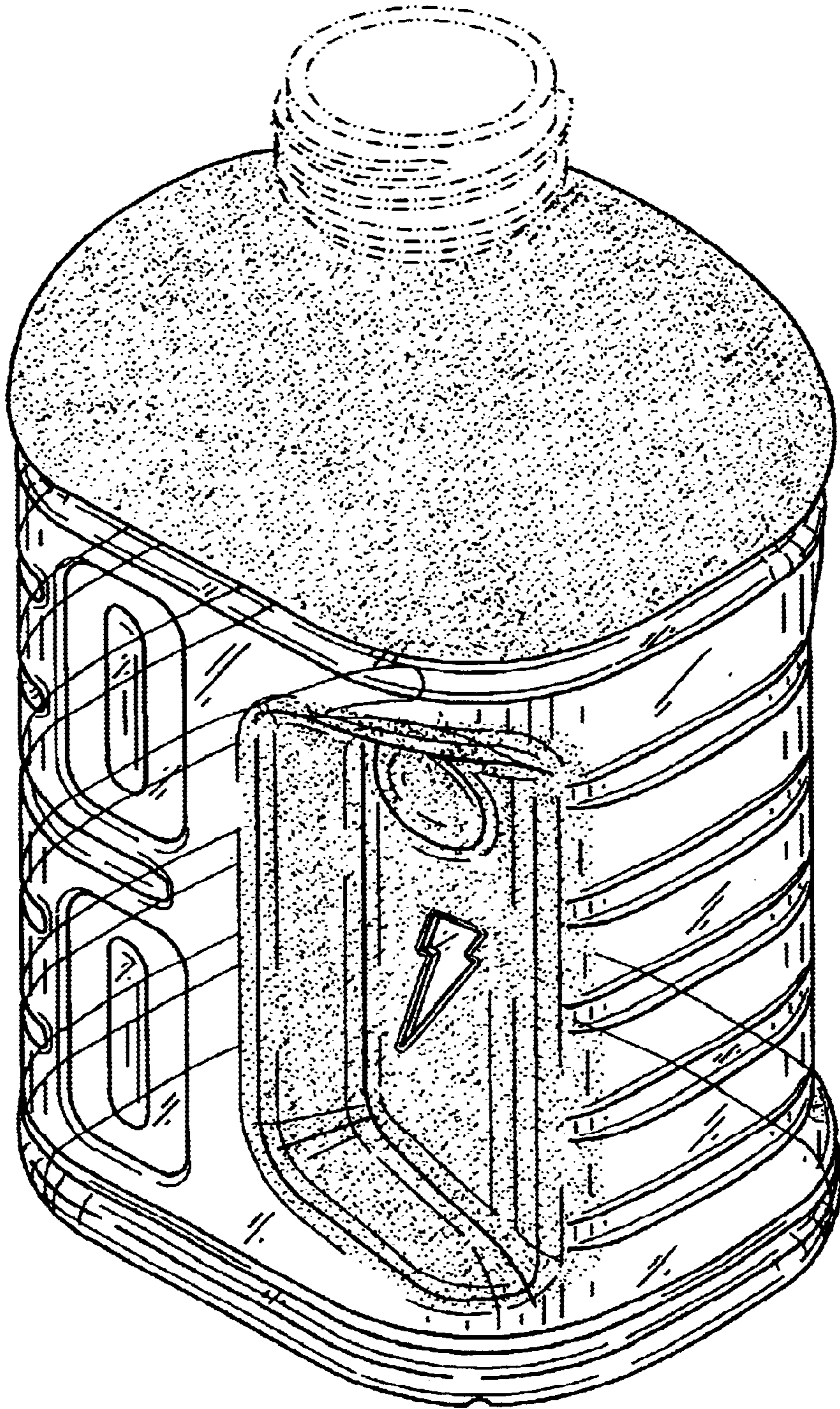


FIG. 1

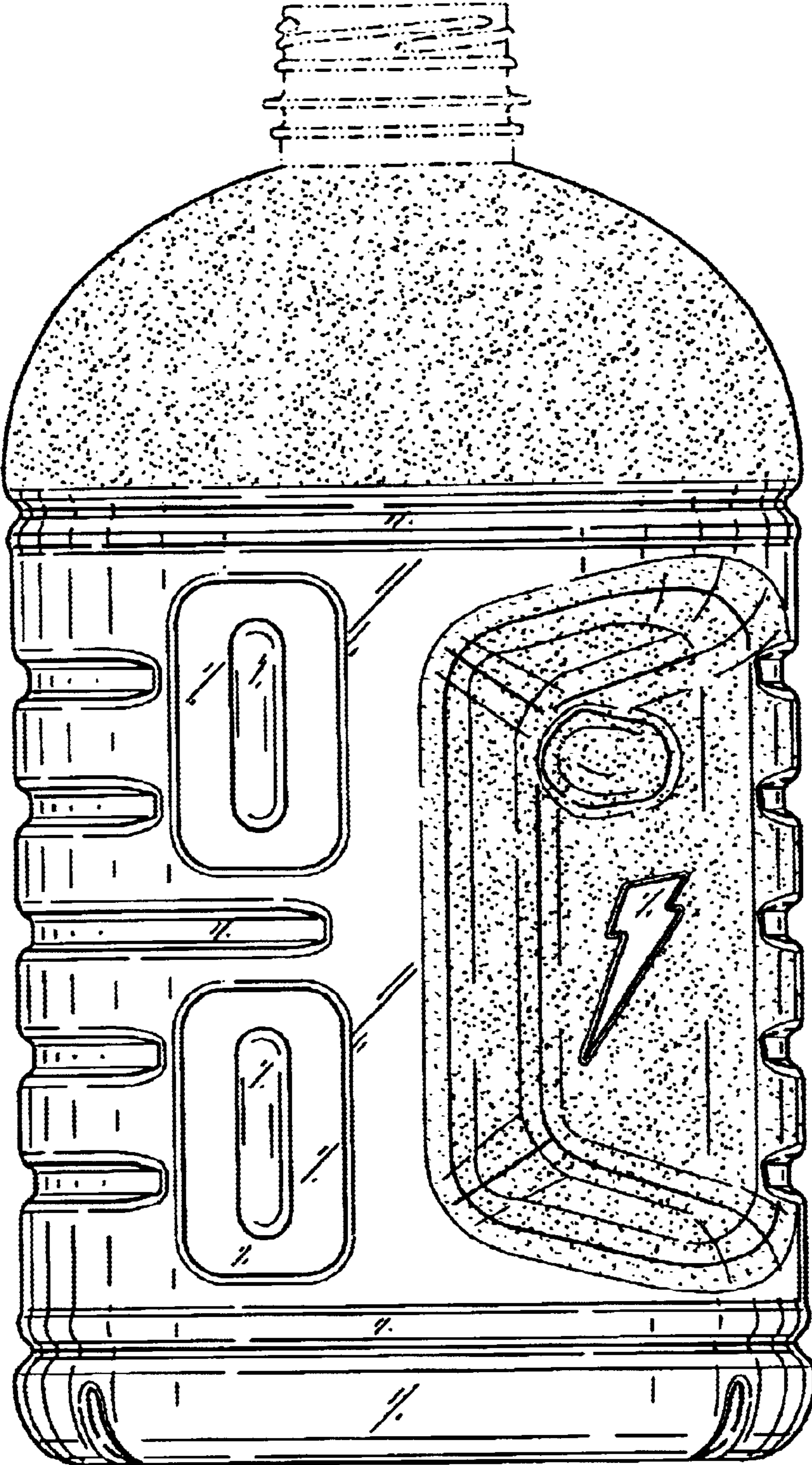


FIG. 2

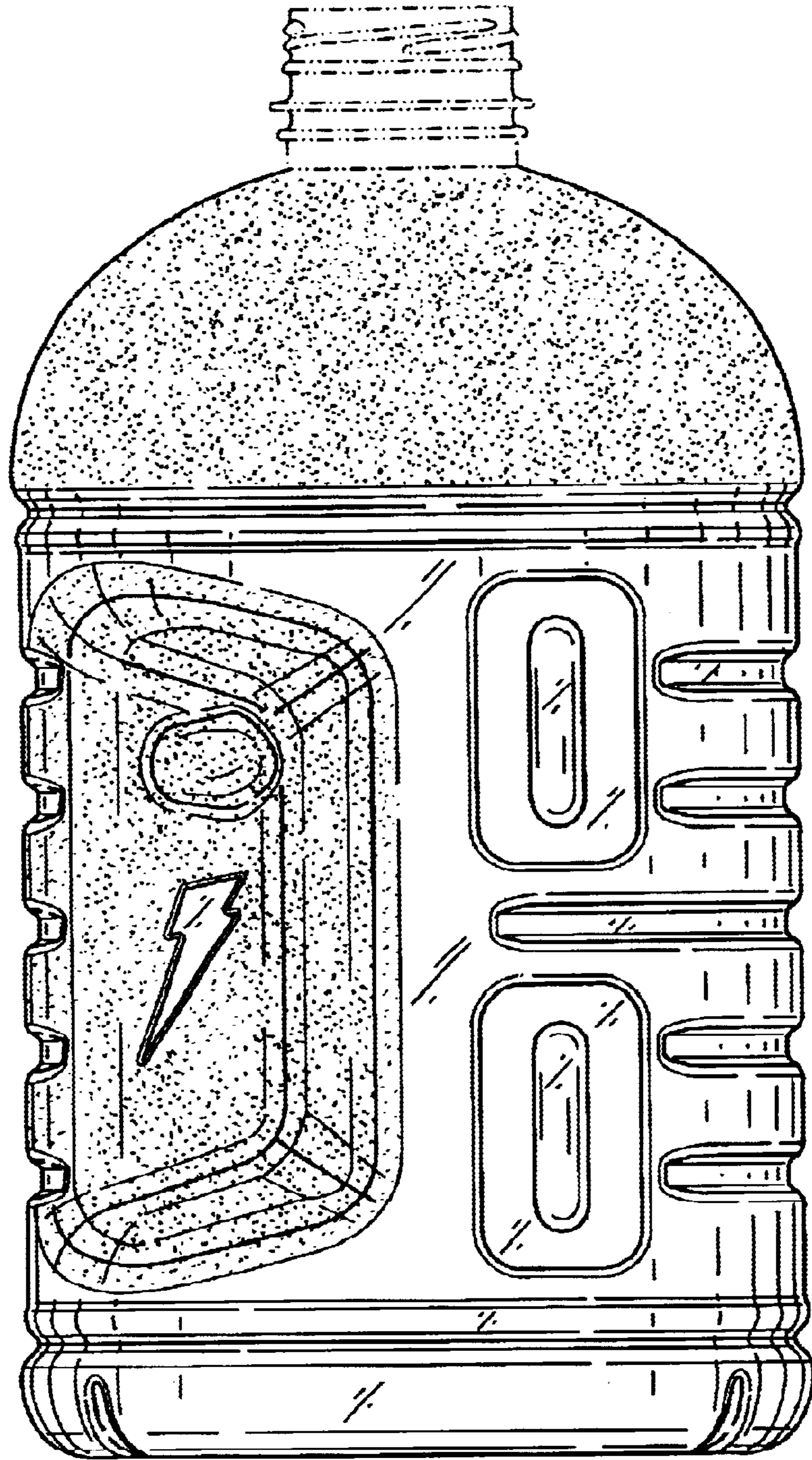


FIG. 3

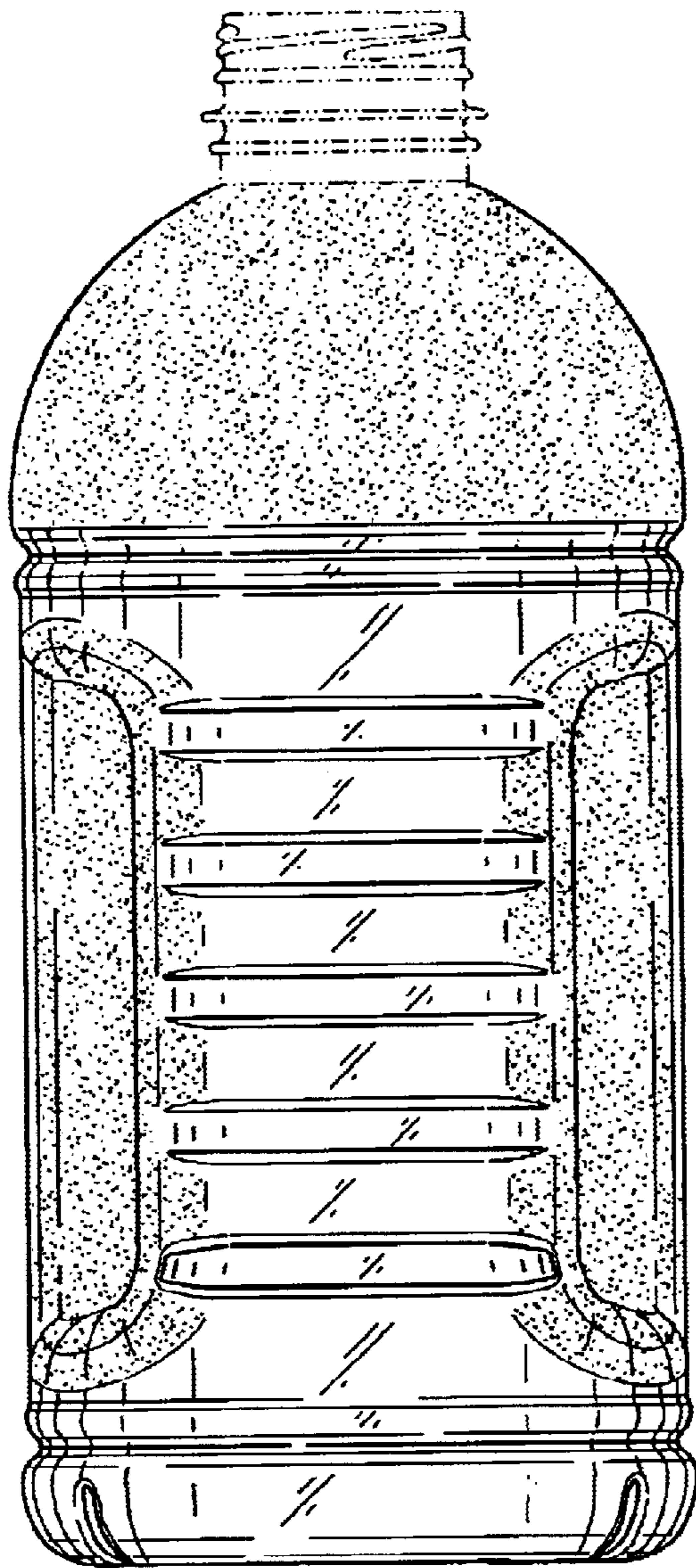


FIG. 4

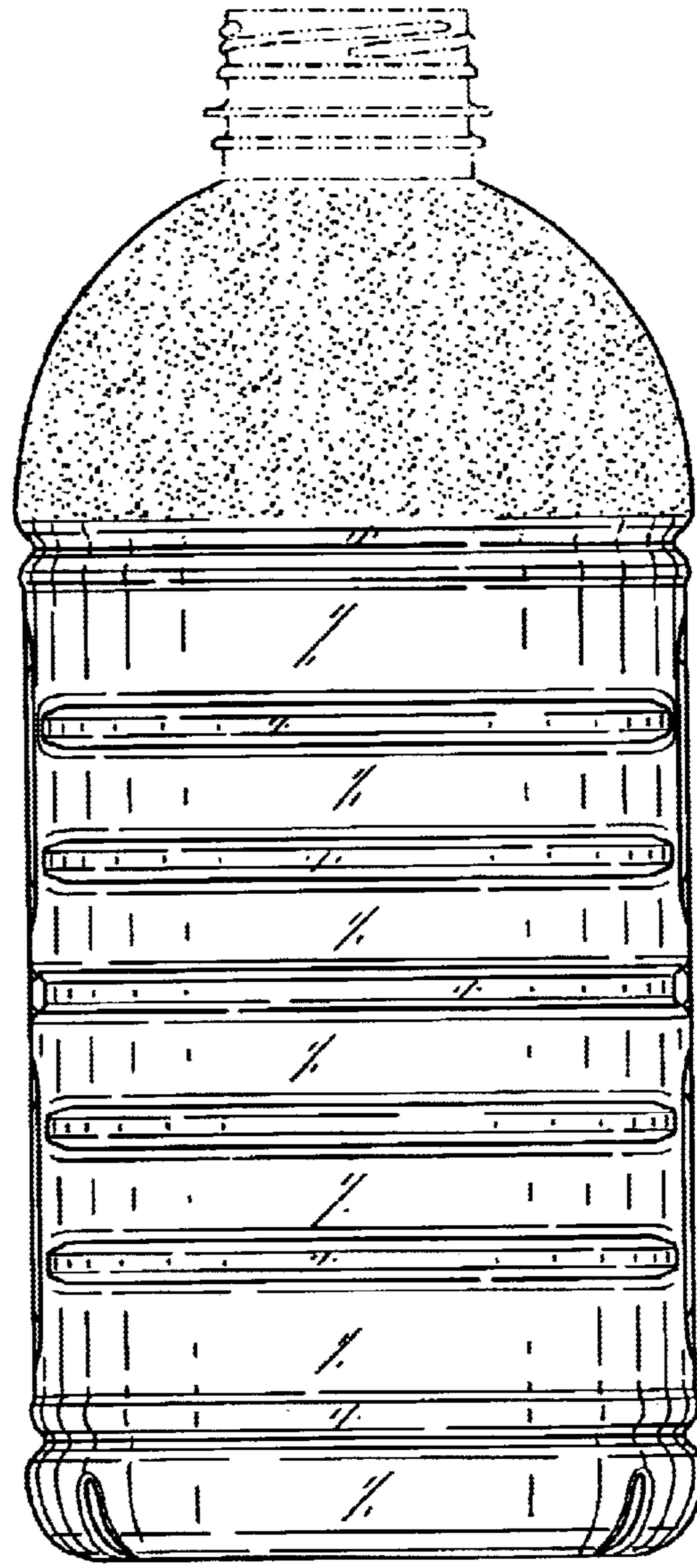


FIG. 5

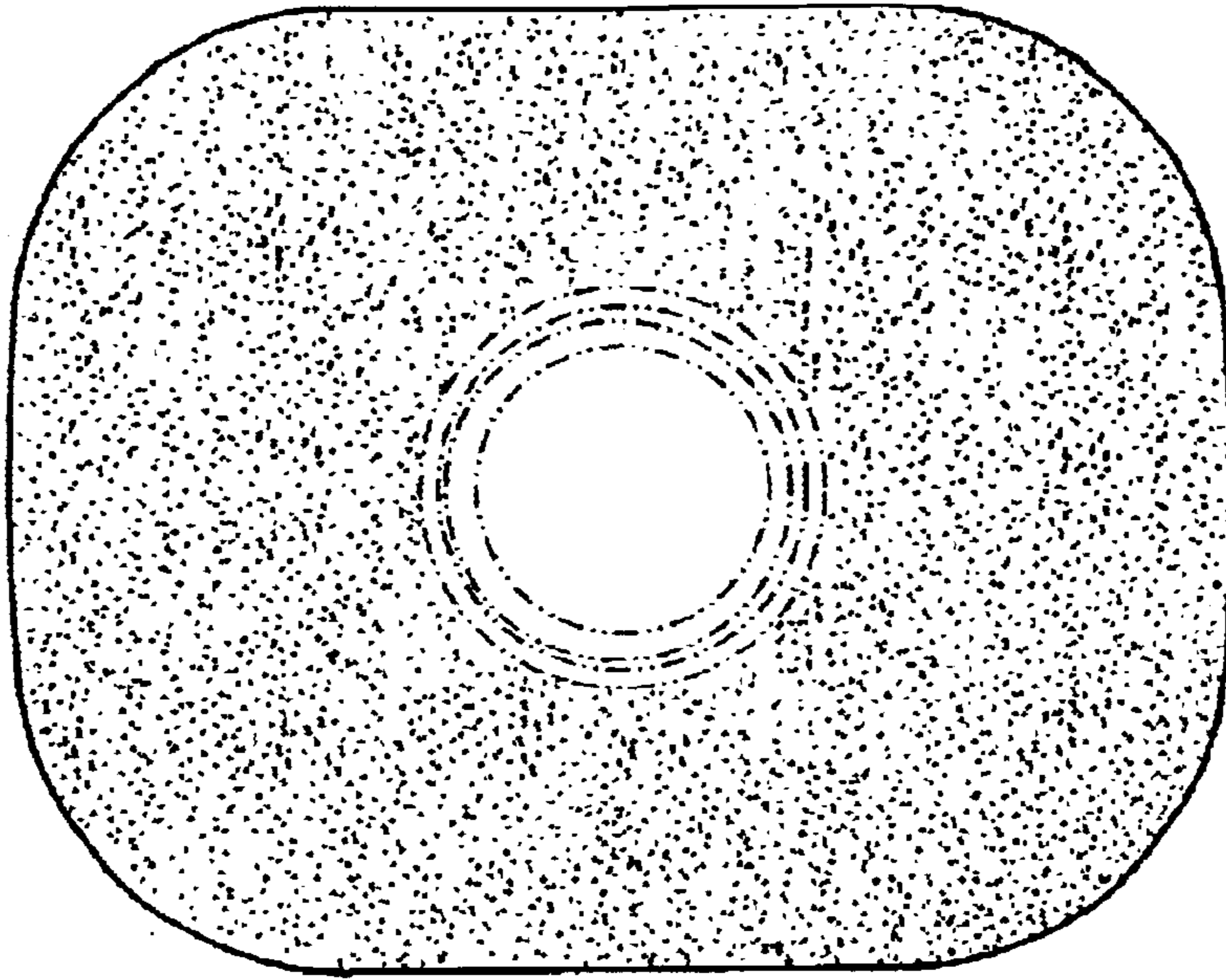


FIG. 6

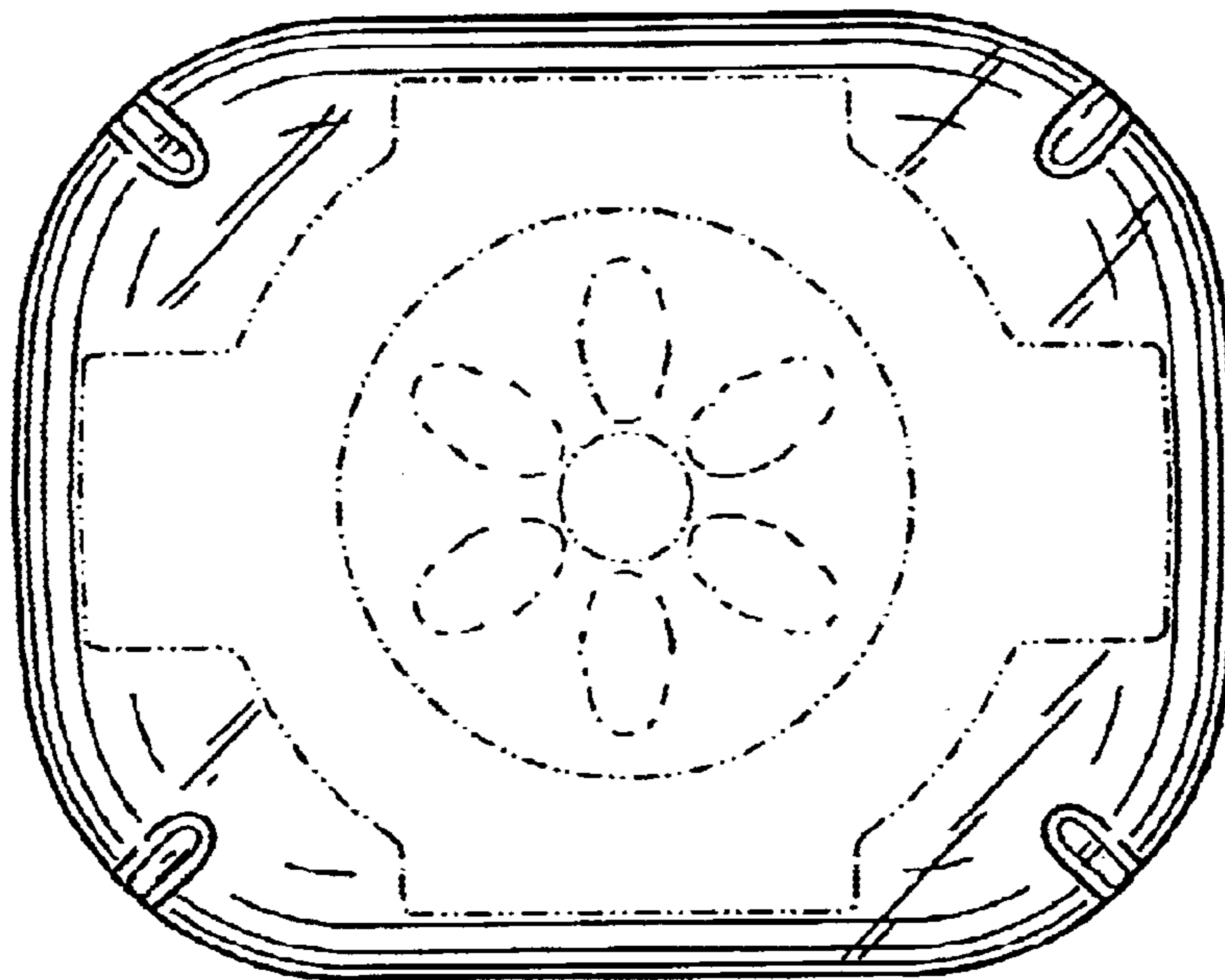


FIG. 7

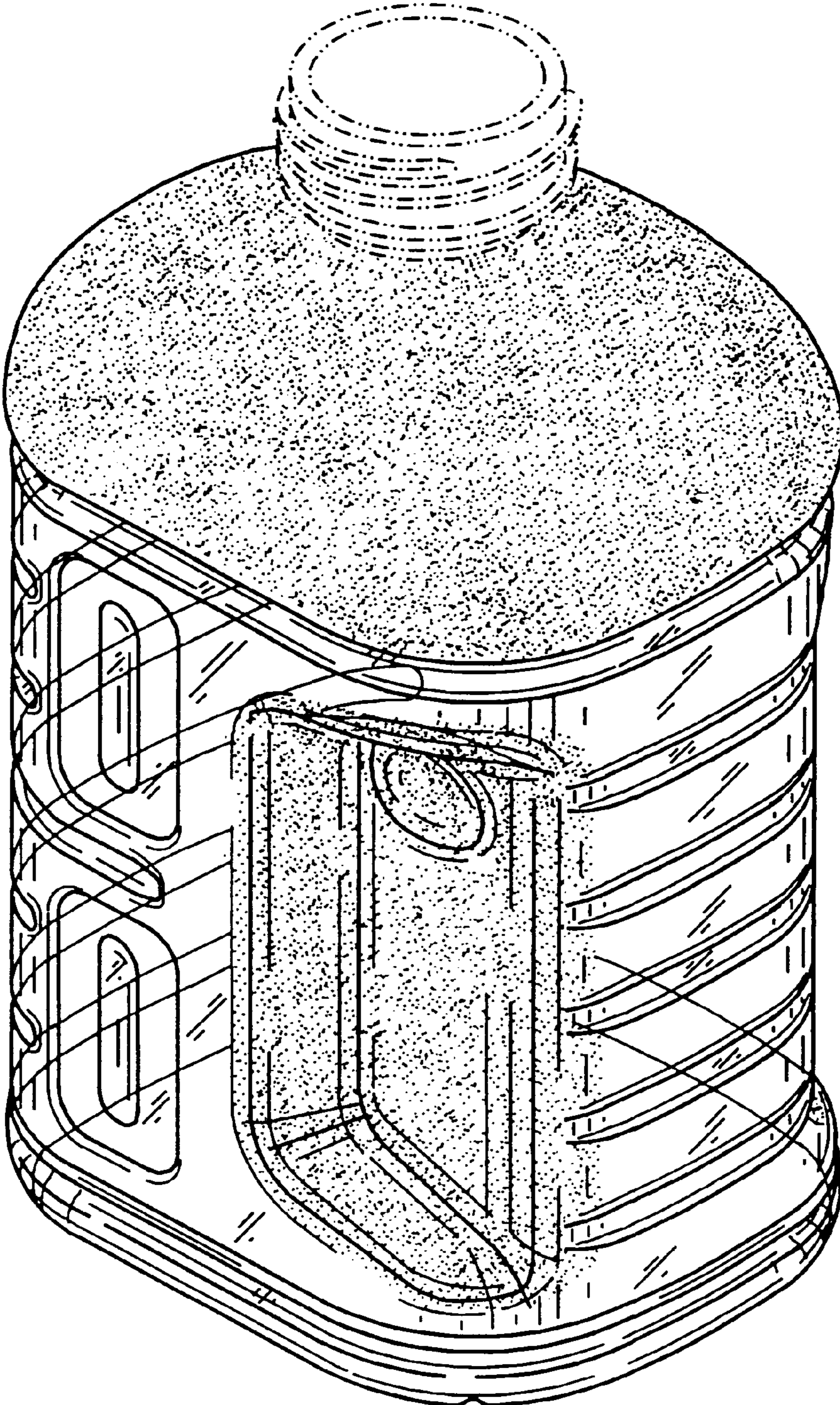


FIG. 8

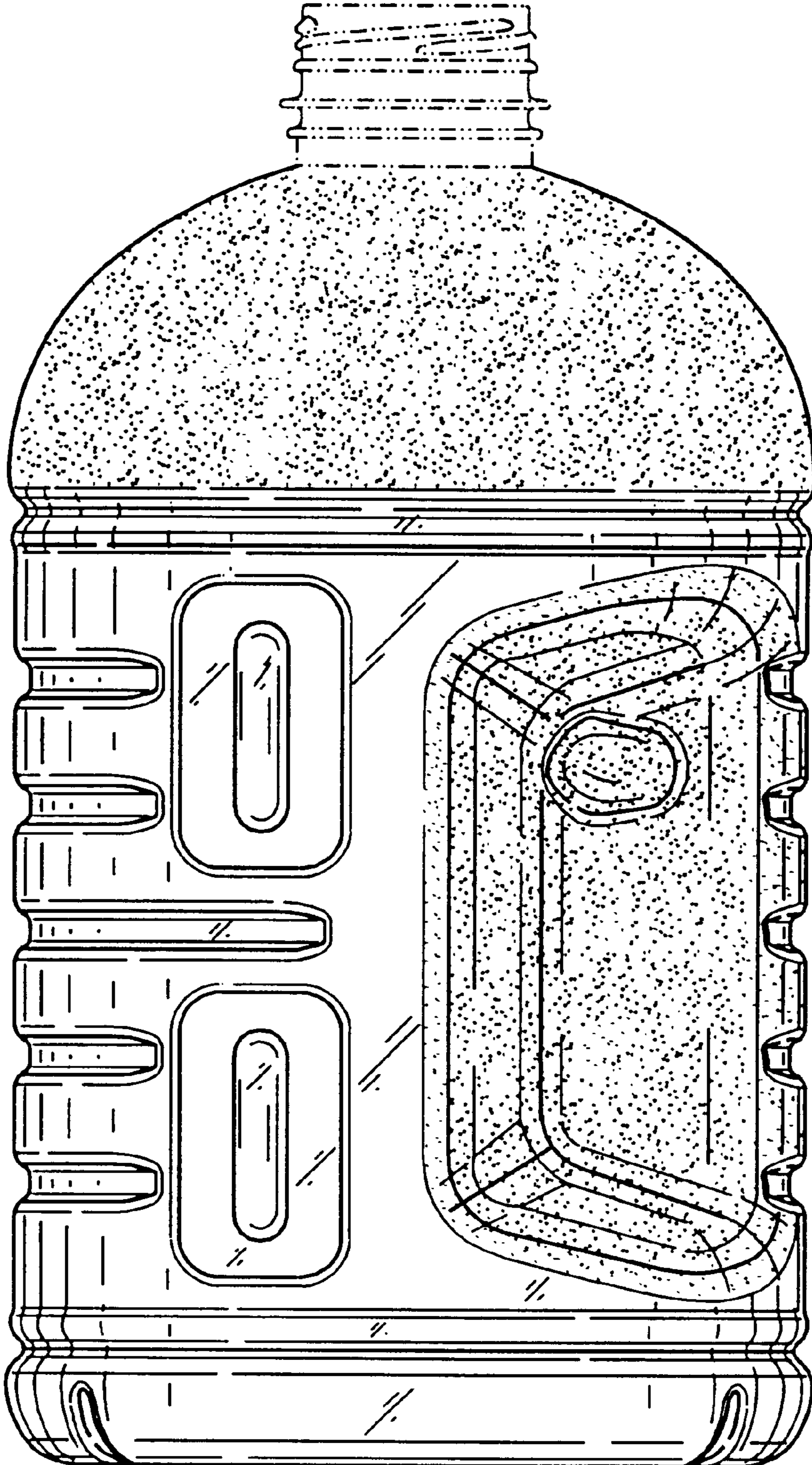


FIG. 9