

US00D509983S

(12) **United States Design Patent**
Kwok

(10) **Patent No.:** **US D509,983 S**

(45) **Date of Patent:** **** Sep. 27, 2005**

(54) **RACK FOR CDS, DVDS, VCDS, MDS, CASSETTES AND THE LIKE**

(75) **Inventor:** **Ho Chung Kwok, Hong Kong (CN)**

(73) **Assignee:** **Kwok's Brother Manufacturing Limited, Hong Kong (CN)**

(**) **Term:** **14 Years**

(21) **Appl. No.:** **29/204,853**

(22) **Filed:** **May 4, 2004**

(30) **Foreign Application Priority Data**

Nov. 28, 2003 (EM) 000107594

(51) **LOC (8) Cl.** **06-04**

(52) **U.S. Cl.** **D6/630**

(58) **Field of Search** D6/407, 629, 630,
D6/467, 468, 450, 453, 462-466; 206/307,
307.1, 308.1; 211/40, 41.1, 41.2, 41.12;
312/9.1, 9.55, 9.64, 348.3

(56) **References Cited**

U.S. PATENT DOCUMENTS

- 5,341,943 A * 8/1994 Fraser 211/40
- 5,358,124 A * 10/1994 Mueller 211/41.12
- D359,648 S * 6/1995 Hwang D6/629
- D360,098 S * 7/1995 Todd D6/629

- 5,607,065 A * 3/1997 Todd 211/40
- D406,205 S * 3/1999 Dardashti D6/477
- 5,984,115 A * 11/1999 Koestenblatt et al. 211/40
- D470,003 S 2/2003 Kwok
- D488,018 S * 4/2004 Chow et al. D6/630

FOREIGN PATENT DOCUMENTS

HK 0110920.4 7/2001

* cited by examiner

Primary Examiner—Cathron C. Brooks

(74) *Attorney, Agent, or Firm*—Townsend and Townsend and Crew LLP

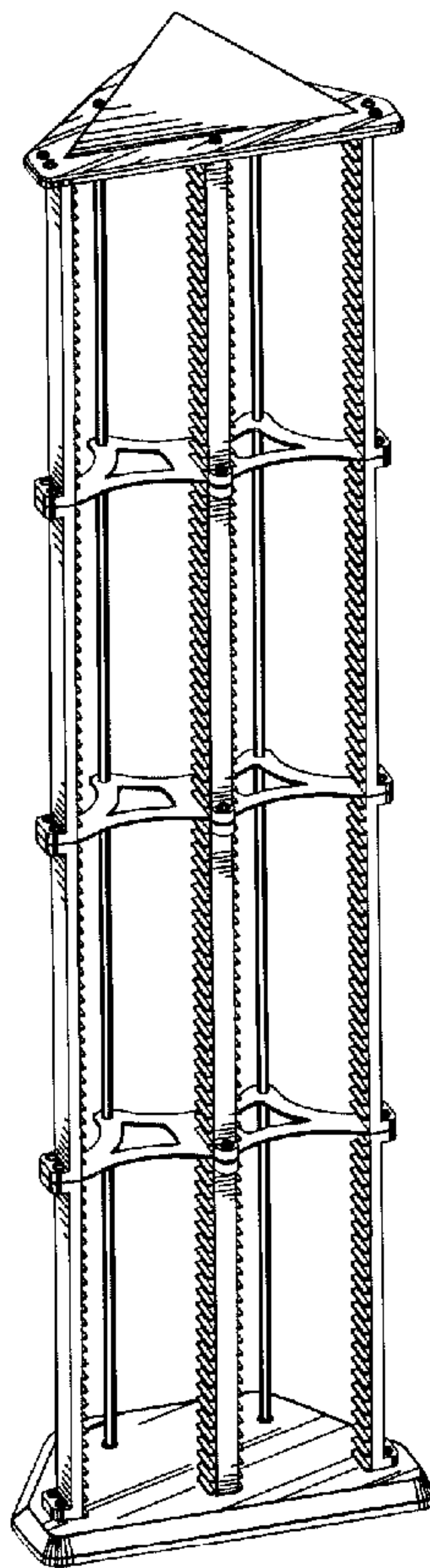
(57) **CLAIM**

The ornamental design for a rack for CDs, DVDs, VCDs, MDs, cassettes and the like, as shown and described.

DESCRIPTION

FIG. 1 is a perspective view of the front right side of the rack showing my new ornamental design;
 FIG. 2 is a perspective view of the rear left side thereof;
 FIG. 3 is a left side elevational view thereof;
 FIG. 4 is a rear elevational view thereof;
 FIG. 5 is a top plan view thereof;
 FIG. 6 is a bottom plan view thereof;
 FIG. 7 is a left side elevational view thereof; and,
 FIG. 8 is a right side elevational view thereof.

1 Claim, 8 Drawing Sheets



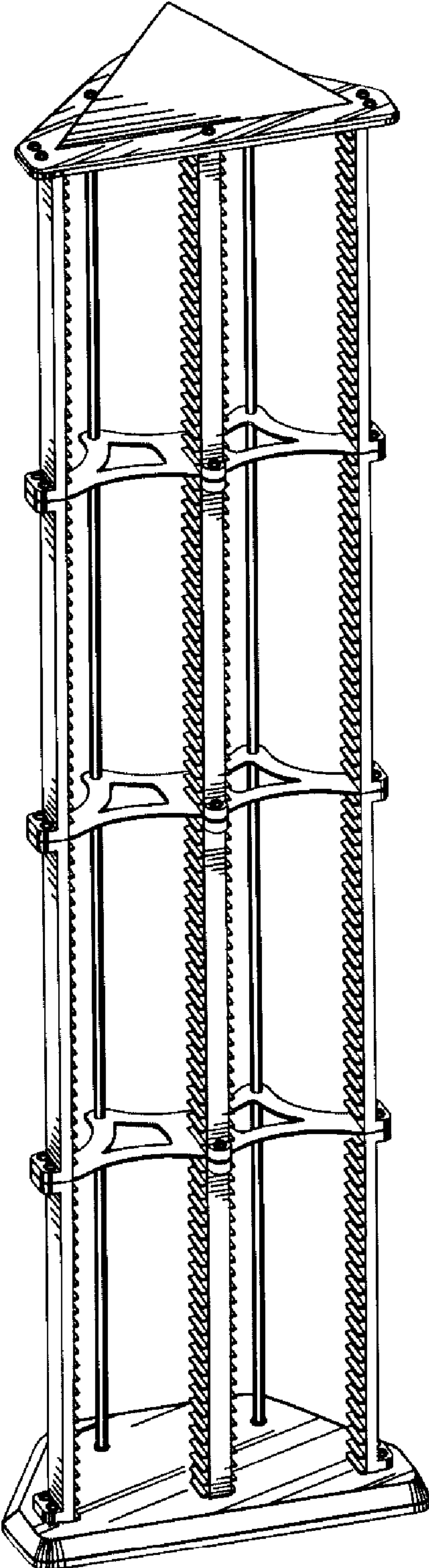


FIG. 1

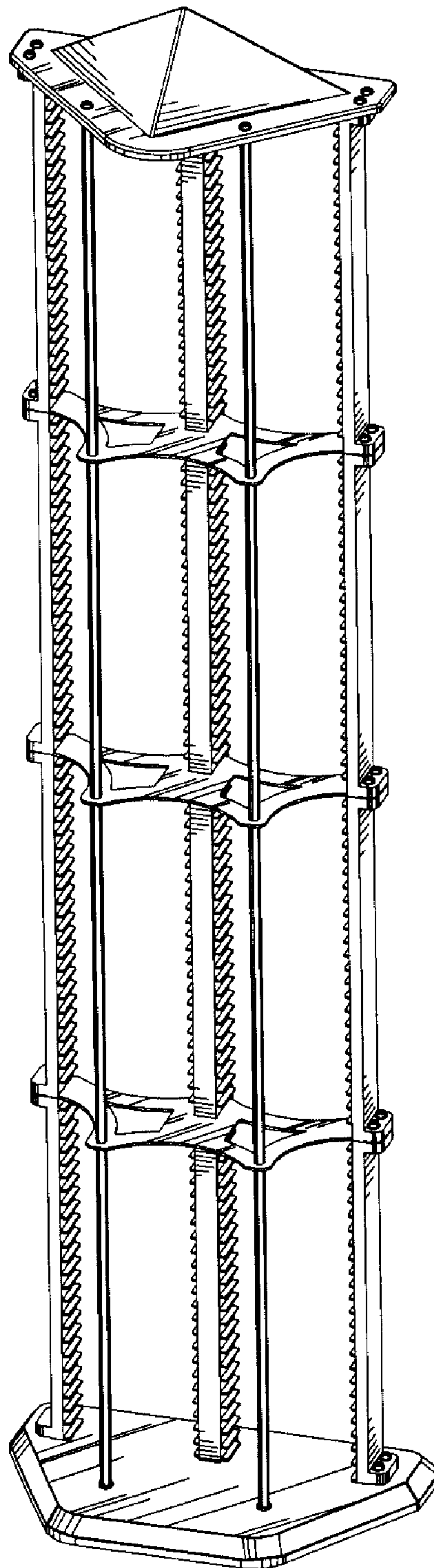


FIG. 2

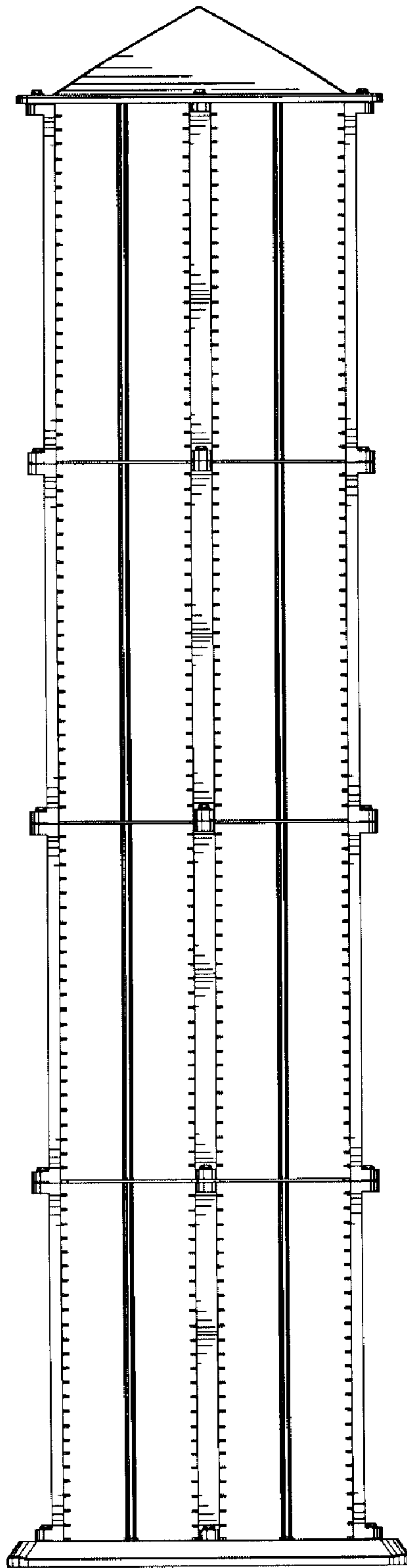


FIG. 3

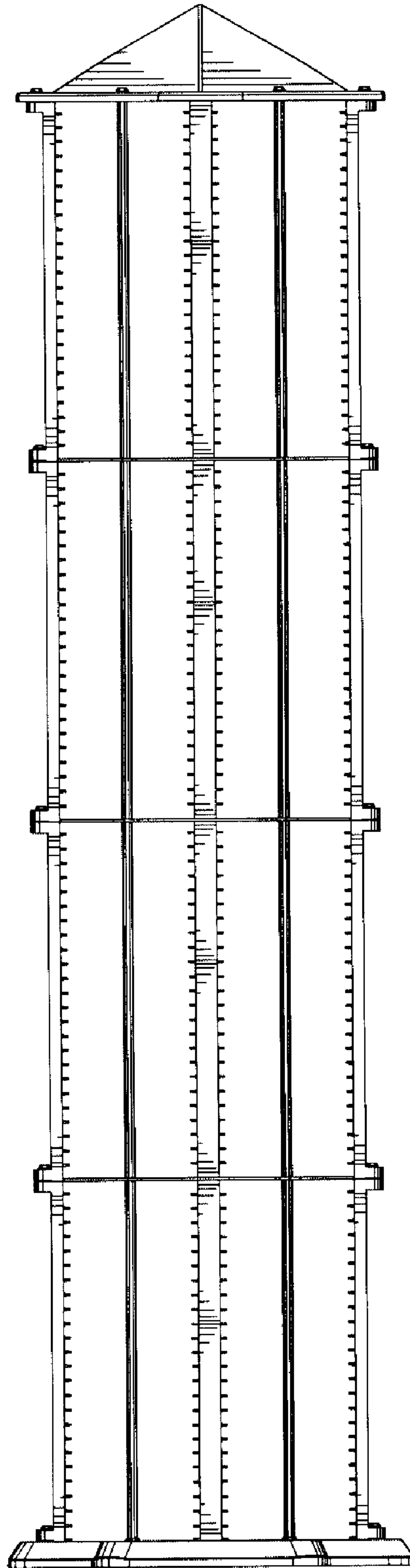


FIG. 4

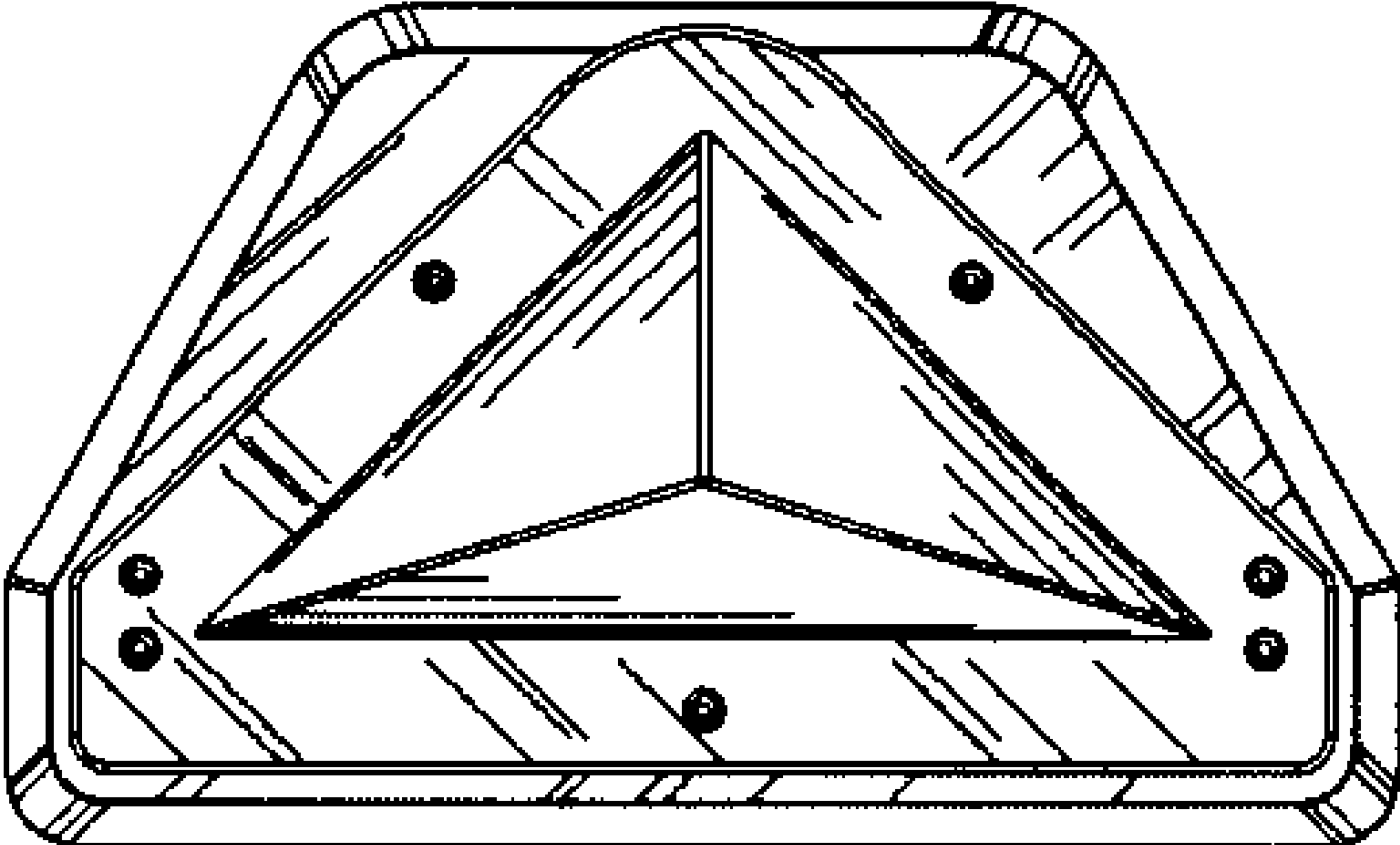


FIG. 5

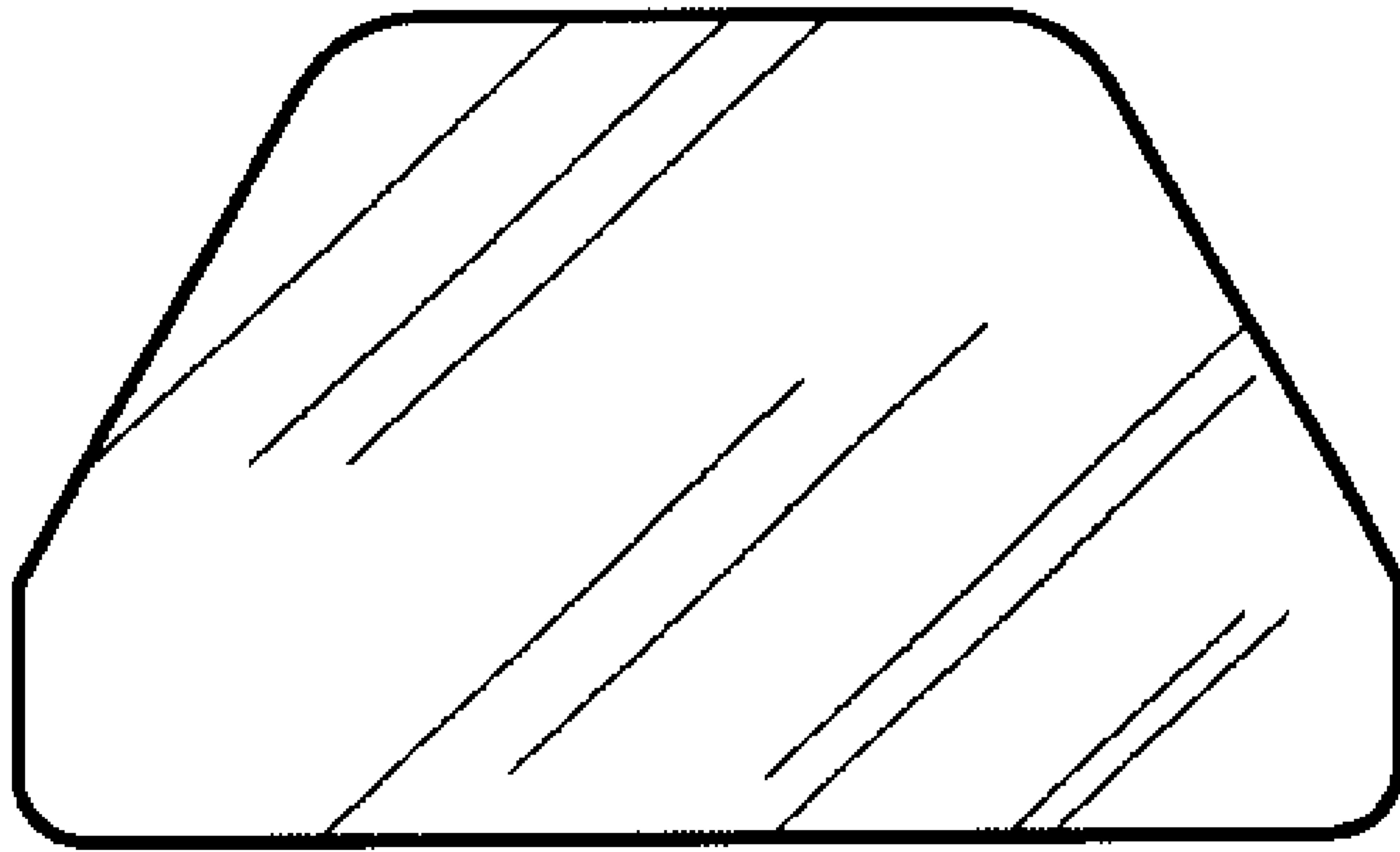


FIG. 6

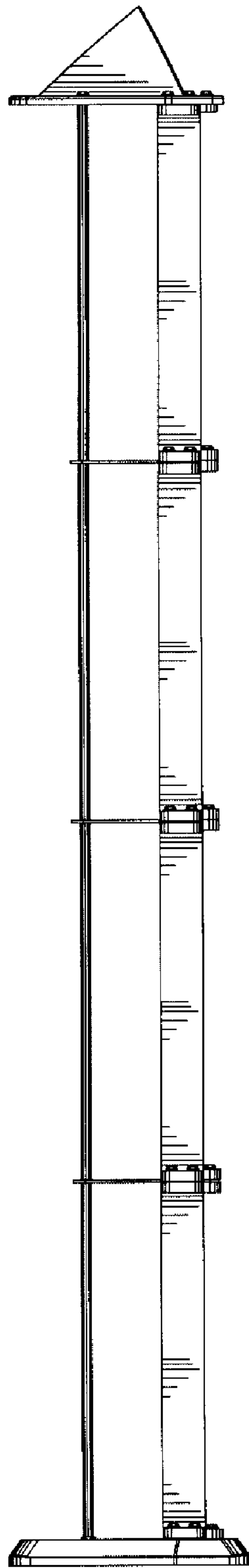


FIG. 7

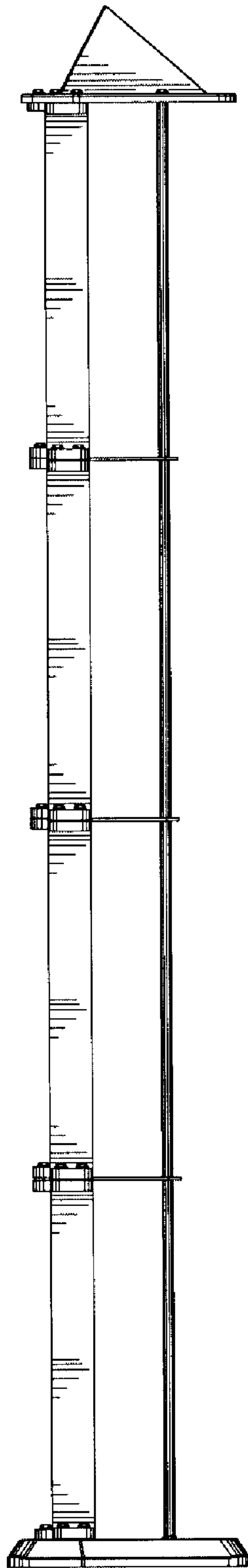


FIG. 8