

US00D509979S

(12) **United States Design Patent**
Le Roux

(10) **Patent No.: US D509,979 S**

(45) **Date of Patent: ** Sep. 27, 2005**

(54) **STORAGE DEVICE**

D499,589 S * 12/2004 Ruff D6/513

(75) Inventor: **Jacques A. Le Roux**, Eiland (ZA)

* cited by examiner

(73) Assignee: **Aldren Group Ltd.**, Virgin Islands (VG)

Primary Examiner—Brian N Vinson

(74) *Attorney, Agent, or Firm*—Marshall, Gerstein & Borun LLP

(**) Term: **14 Years**

(57) **CLAIM**

(21) Appl. No.: **29/188,496**

The ornamental design for a storage device, as shown and described.

(22) Filed: **Aug. 20, 2003**

(30) **Foreign Application Priority Data**

DESCRIPTION

Jun. 26, 2003 (ZA) A2003/0791

FIG. 1 is a top, right-hand, front perspective view of a storage device with its door closed, showing my new design; FIG. 2 is a left-hand side elevation view thereof; FIG. 3 is a right-hand side elevation view thereof; FIG. 4 is a front elevation view thereof; FIG. 5 is a rear elevation view thereof; FIG. 6 is a top plan view thereof; FIG. 7 is a bottom view thereof; FIG. 8 is a right-hand side elevation view of a storage device with its door open, showing my new design; and, FIG. 9 is a top, right-hand, front perspective view thereof.

(51) **LOC (8) Cl.** **06-06**

(52) **U.S. Cl.** **D6/513**

(58) **Field of Search** D6/512-514; 206/557, 206/320; 211/13.1, 31, 86.01, 113, 119, 126.1, 126.9, 134; 248/175, 302, 317, 343

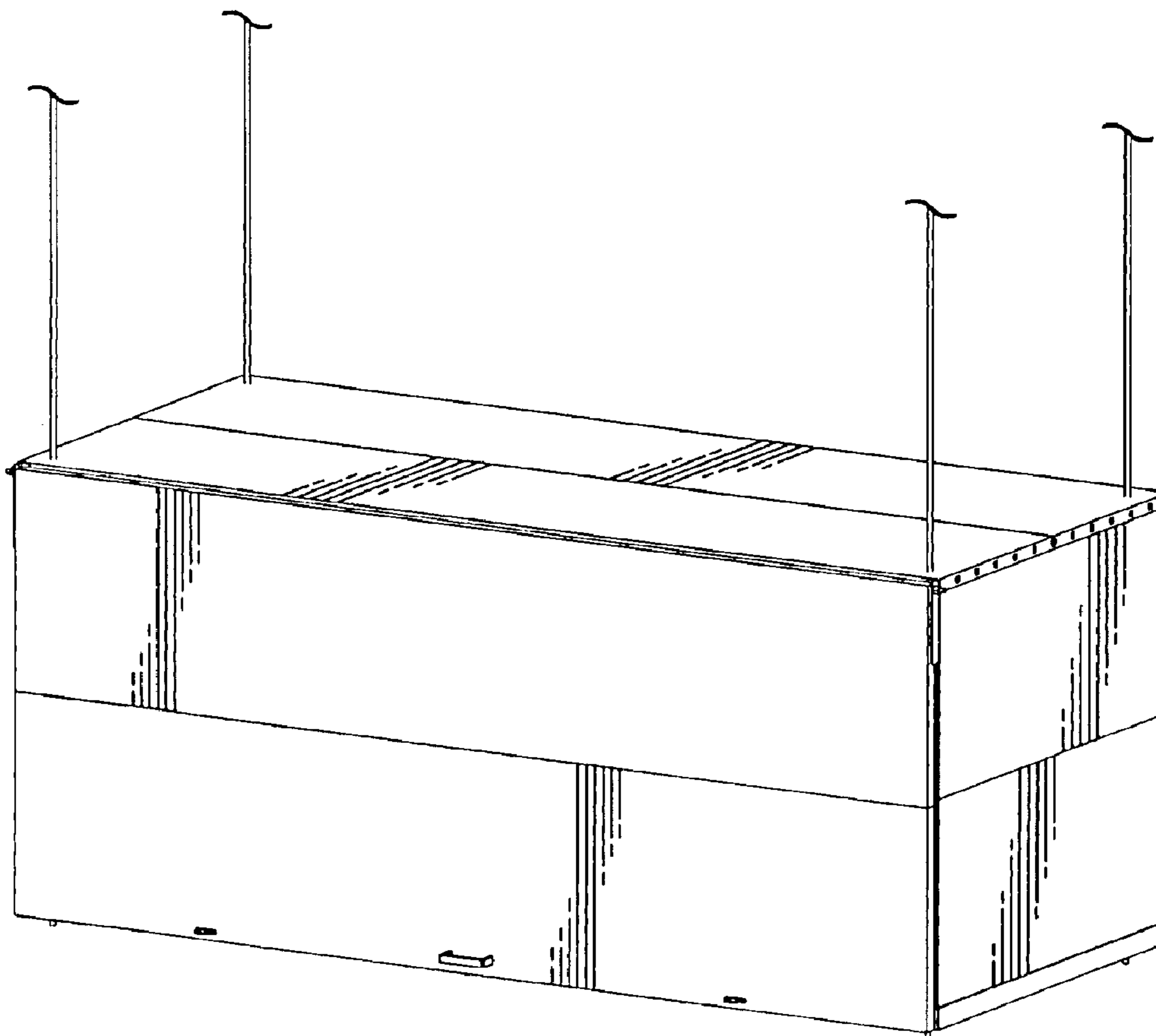
(56) **References Cited**

U.S. PATENT DOCUMENTS

D416,152 S * 11/1999 Payne et al. D6/513

D470,353 S * 2/2003 Mikich et al. D6/513

1 Claim, 5 Drawing Sheets



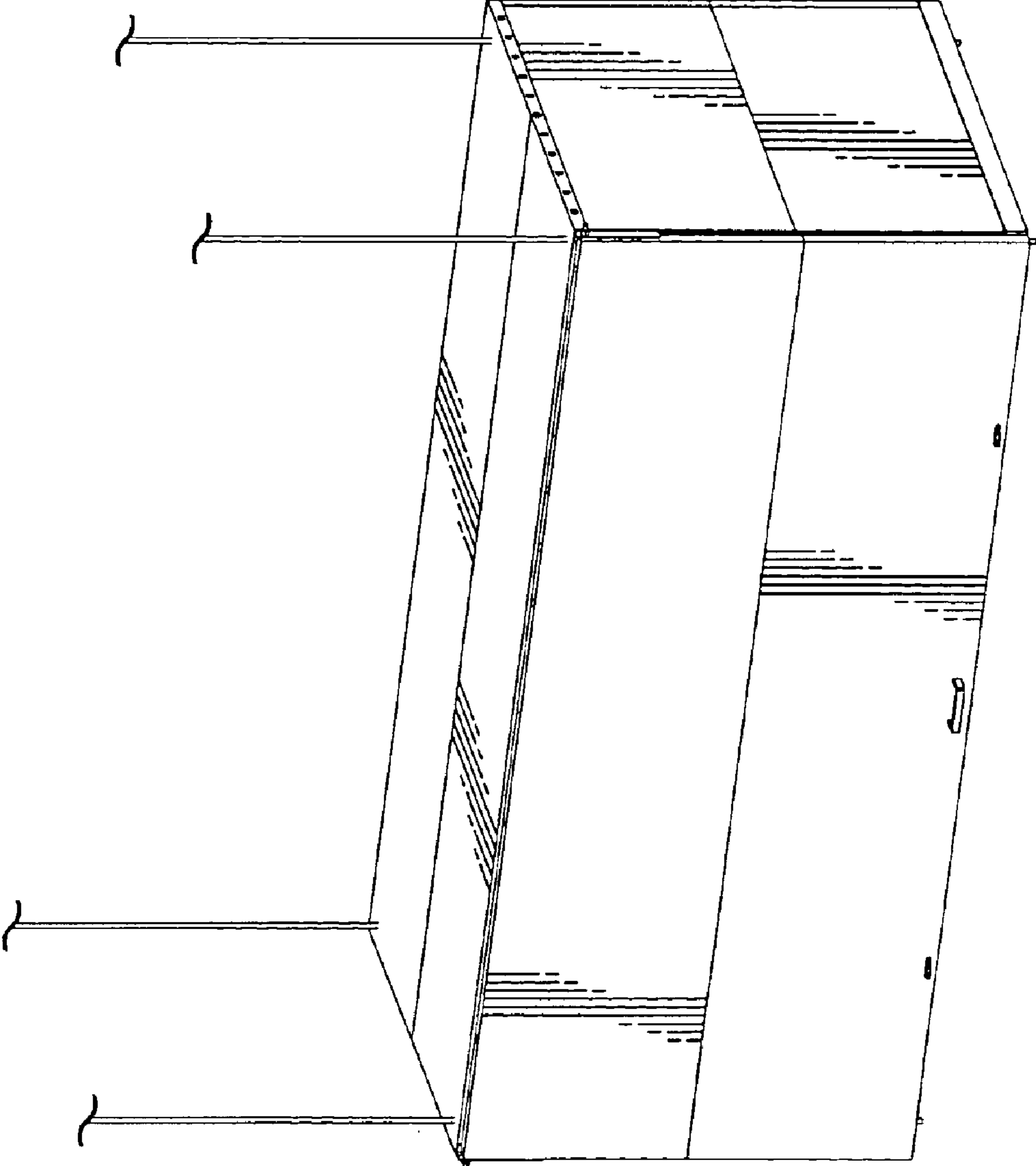


FIG 1

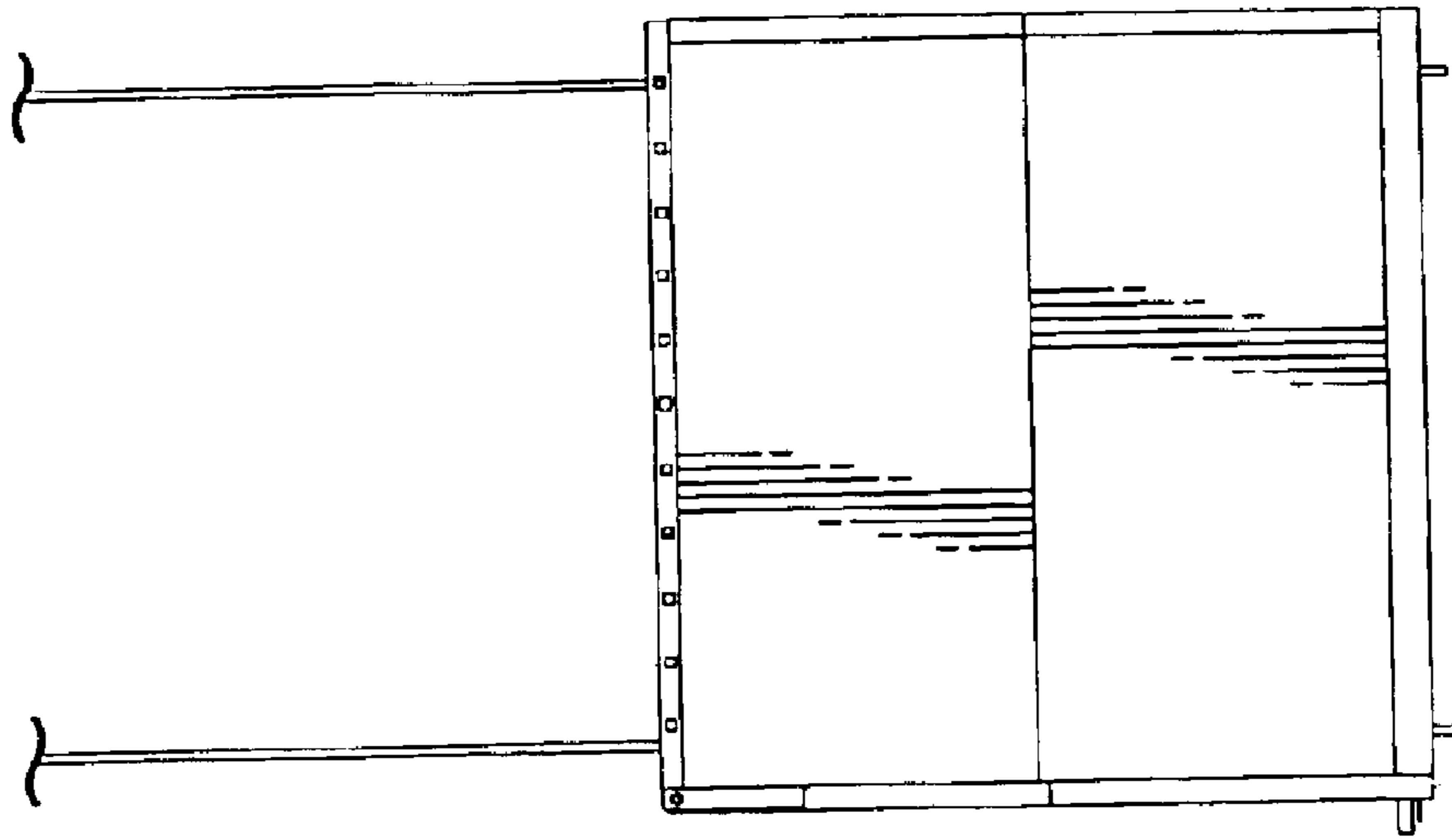


FIG 3

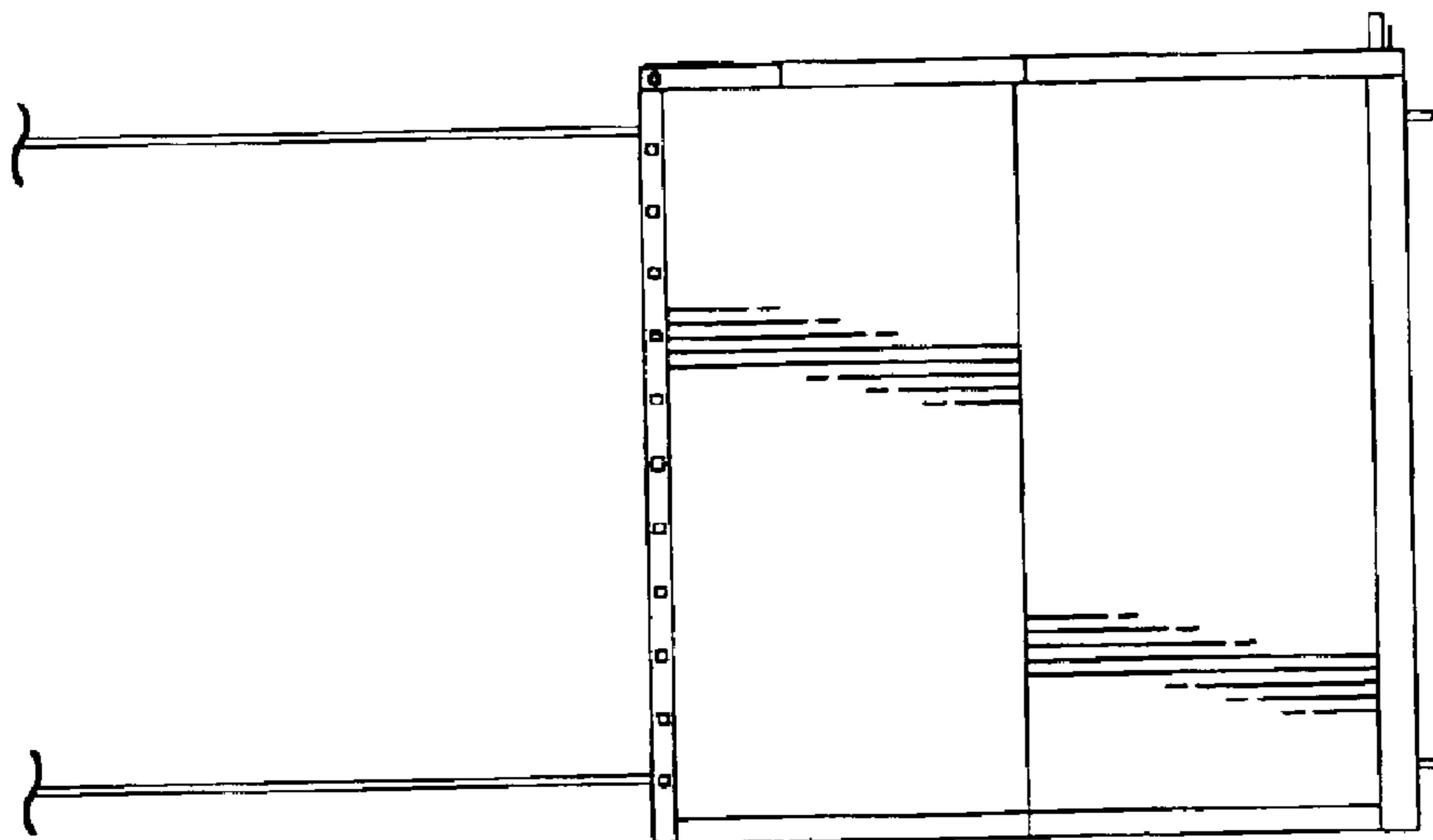


FIG 2

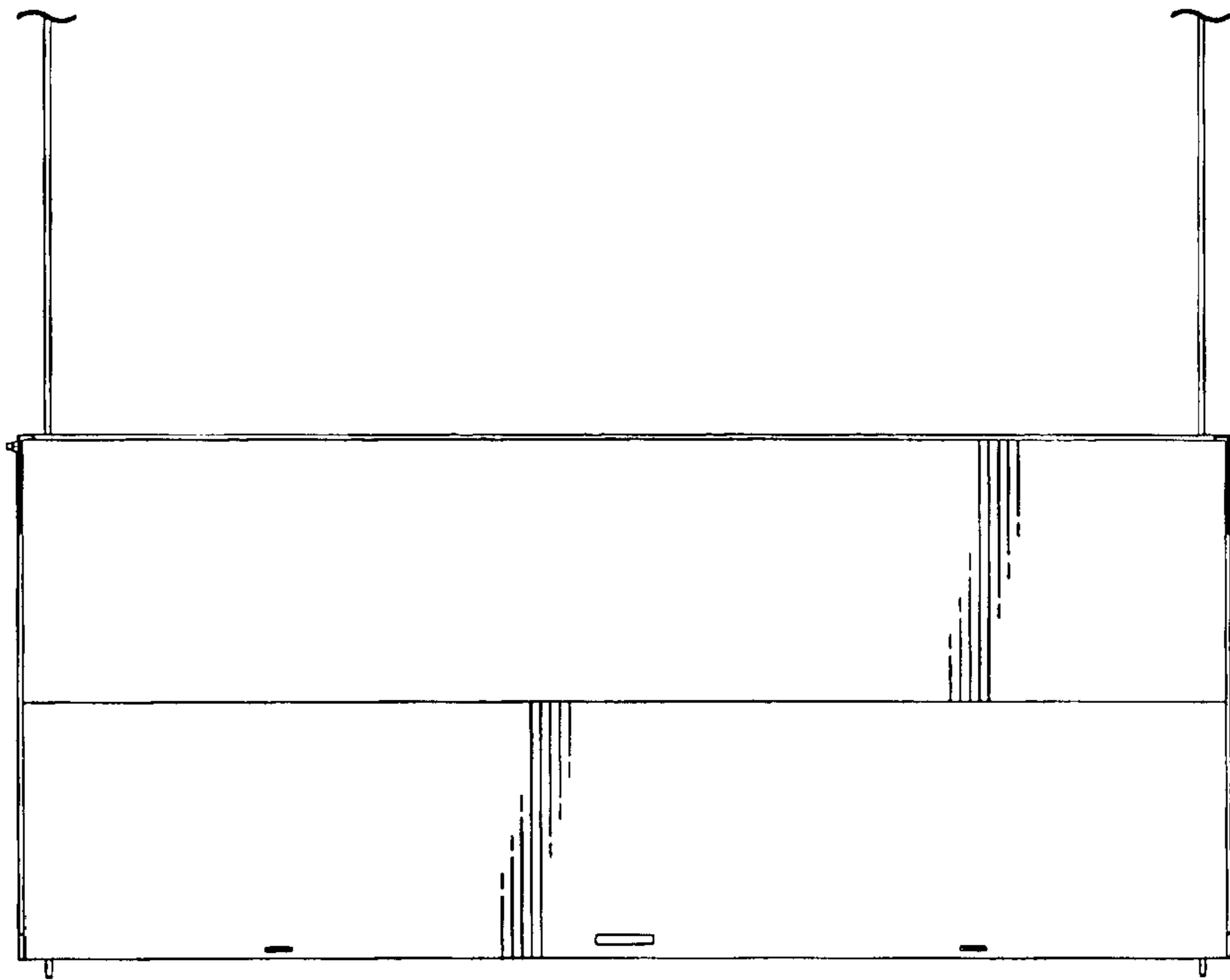


FIG 4

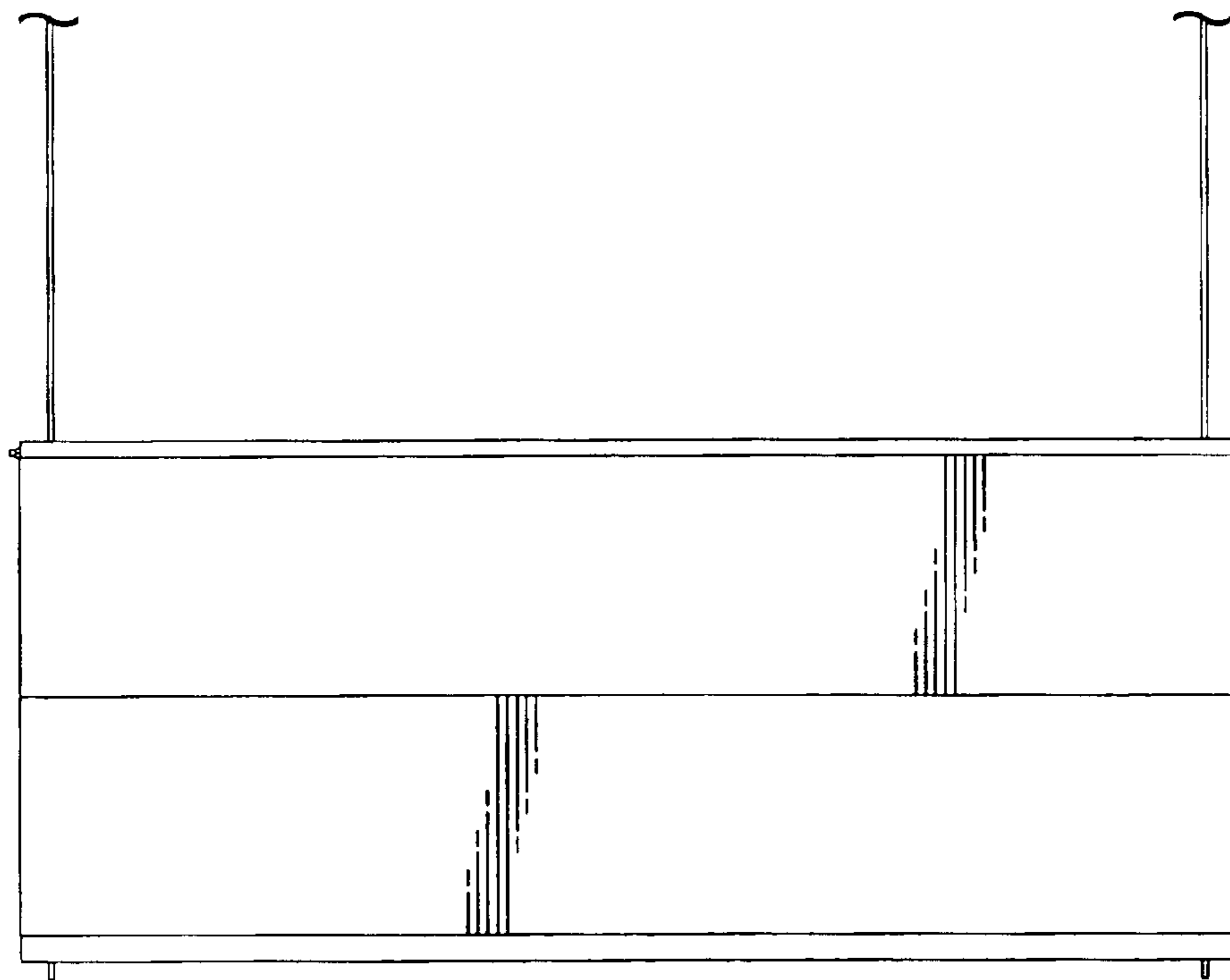


FIG 5

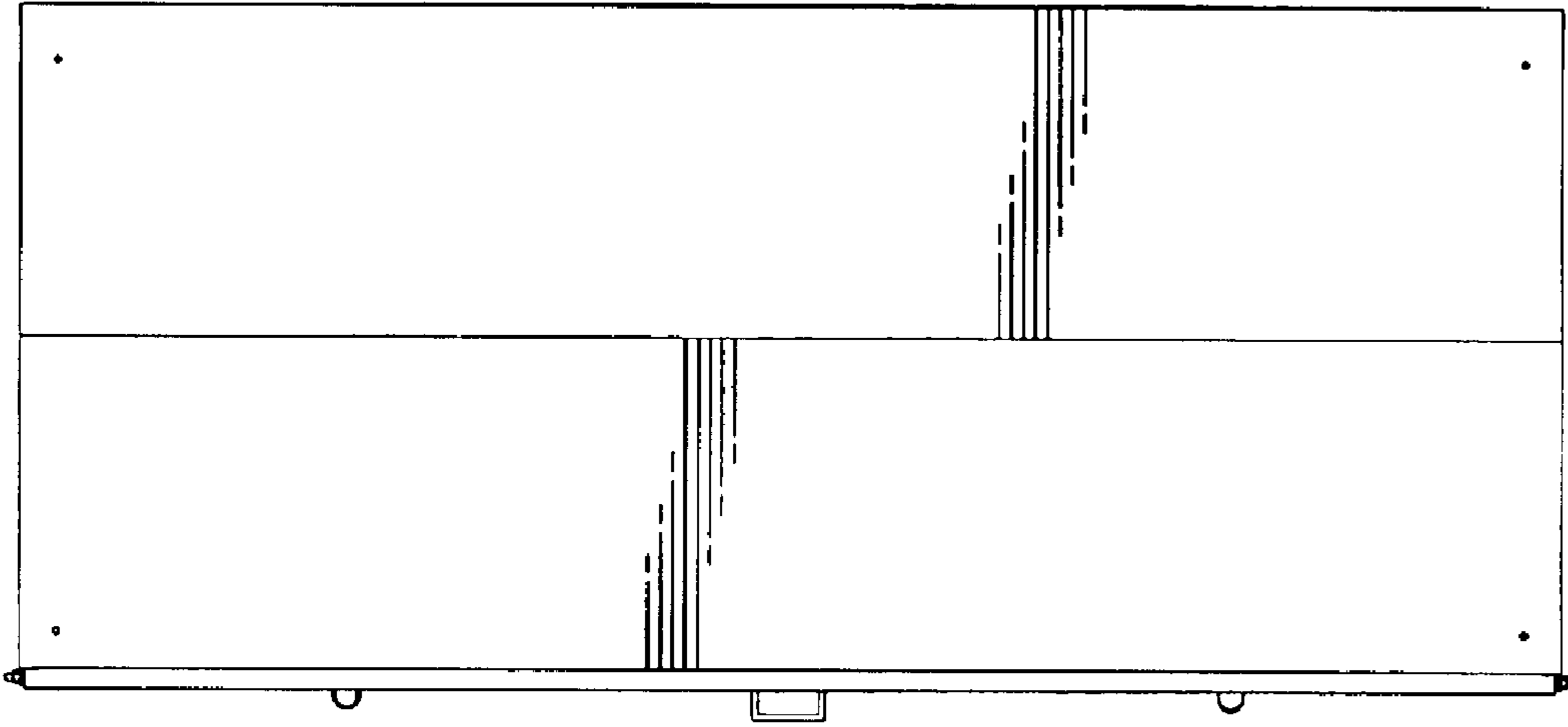


FIG 6

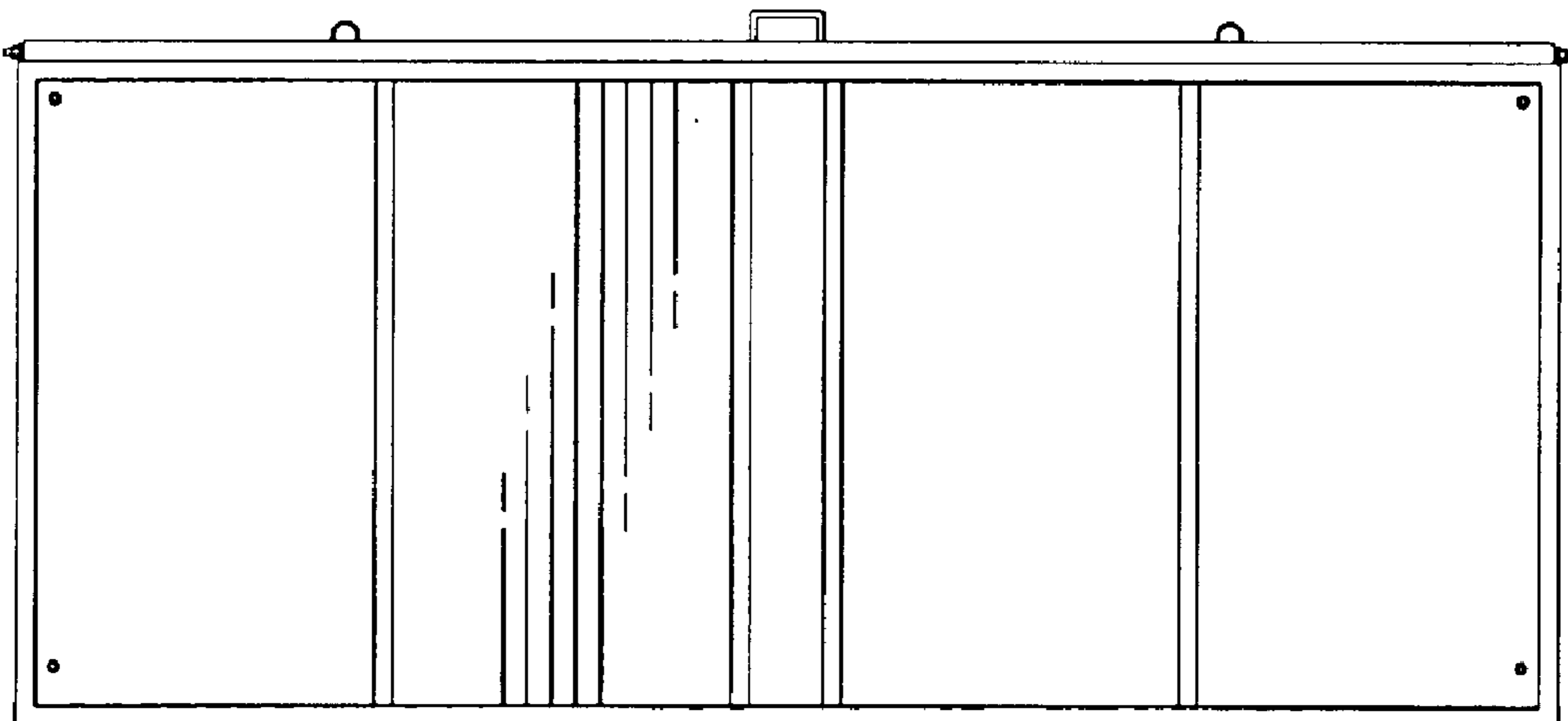


FIG 7

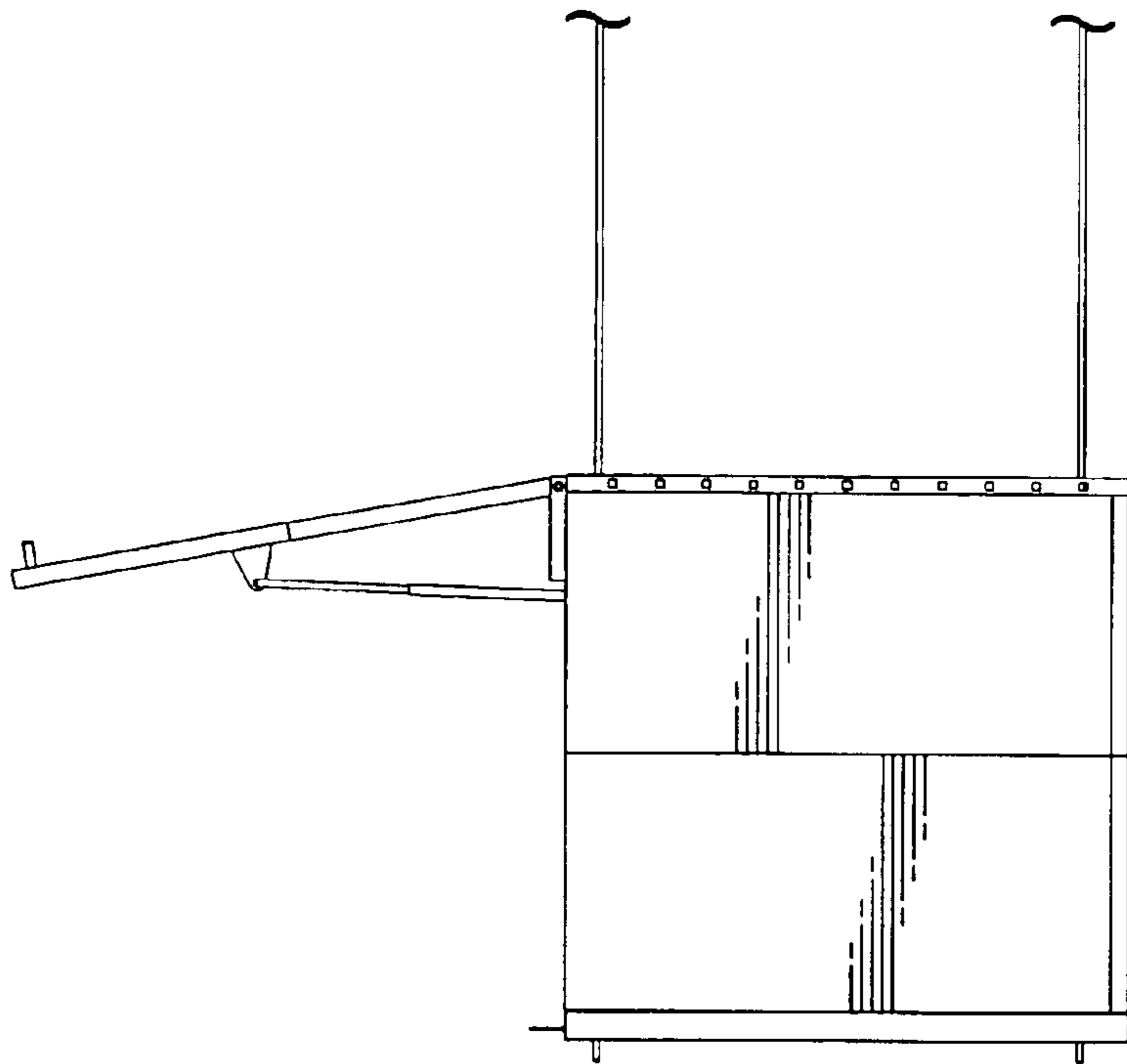


FIG 8

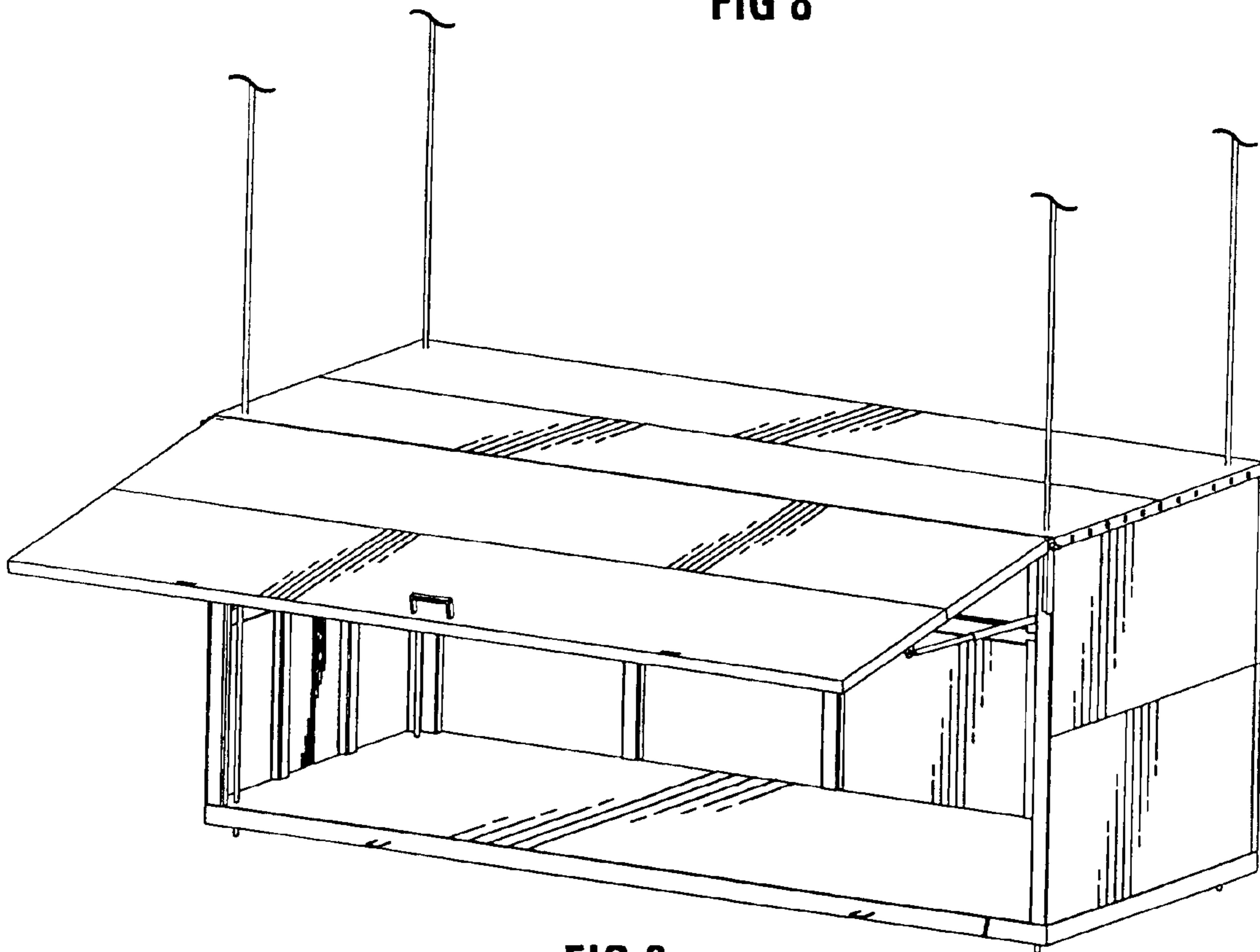


FIG 9