

US00D509978S

(12) **United States Design Patent**
Kawano et al.

(10) **Patent No.:** **US D509,978 S**

(45) **Date of Patent:** **** Sep. 27, 2005**

(54) **TOP PLATE FOR RACK**

(75) Inventors: **Tomoyuki Kawano**, Kumamoto (JP);
Toshihiro Higashi, Kumamoto (JP)

(73) Assignee: **Kongo Kabushiki Kaisha** (JP)

(**) Term: **14 Years**

(21) Appl. No.: **29/205,045**

(22) Filed: **May 7, 2004**

(30) **Foreign Application Priority Data**

Nov. 7, 2003 (JP) 2003-033065

(51) **LOC (8) Cl.** **06-06**

(52) **U.S. Cl.** **D6/511**

(58) **Field of Search** D6/629, 630, 460,
D6/461, 467, 468, 470-472, 477-479, 509-511;
108/92, 93; 211/85.1, 85.4, 55, 183; 312/114,
138.1, 280, 281, 262

(56) **References Cited**

U.S. PATENT DOCUMENTS

D296,852 S * 7/1988 Buchweitz et al. D6/511
D334,859 S * 4/1993 Homann D6/509
D377,658 S * 1/1997 Adamson et al. D34/17
D383,933 S * 9/1997 Robertson D6/511
5,853,091 A * 12/1998 Luenser 211/183

D463,181 S * 9/2002 Patik D6/511
D463,695 S * 10/2002 Patik D6/511
6,520,345 B1 * 2/2003 Marovic et al. 211/183
2004/0016713 A1 * 1/2004 Wyatt et al. 211/183

* cited by examiner

Primary Examiner—Cathron C. Brooks

(74) *Attorney, Agent, or Firm*—Ostrolenk, Faber, Gerb & Soffen, LLP

(57) **CLAIM**

The ornamental design for a top plate for rack, as shown and described.

DESCRIPTION

FIG. 1 is a front, side, perspective view of a top plate for rack showing our new design;

FIG. 2 is a top view thereof;

FIG. 3 is a bottom view thereof;

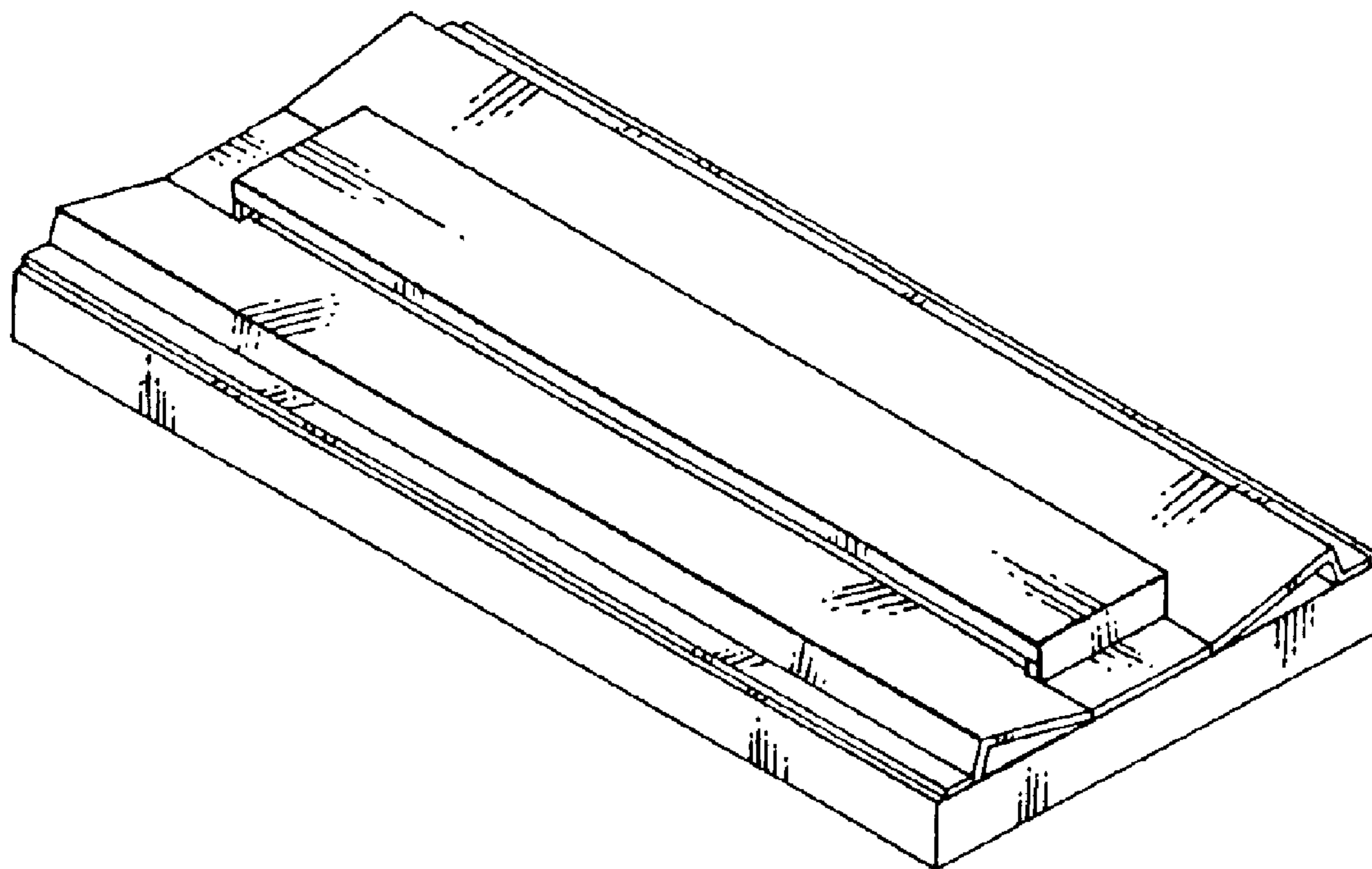
FIG. 4 is a front view thereof, the rear view being identical;

FIG. 5 is a side view thereof, the opposite side view being identical; and,

FIG. 6 shows a perspective view thereof, with environmental material shown in broken lines.

The broken line showing of environmental material is for illustrative purposes only and forms no part of the claimed design.

1 Claim, 4 Drawing Sheets



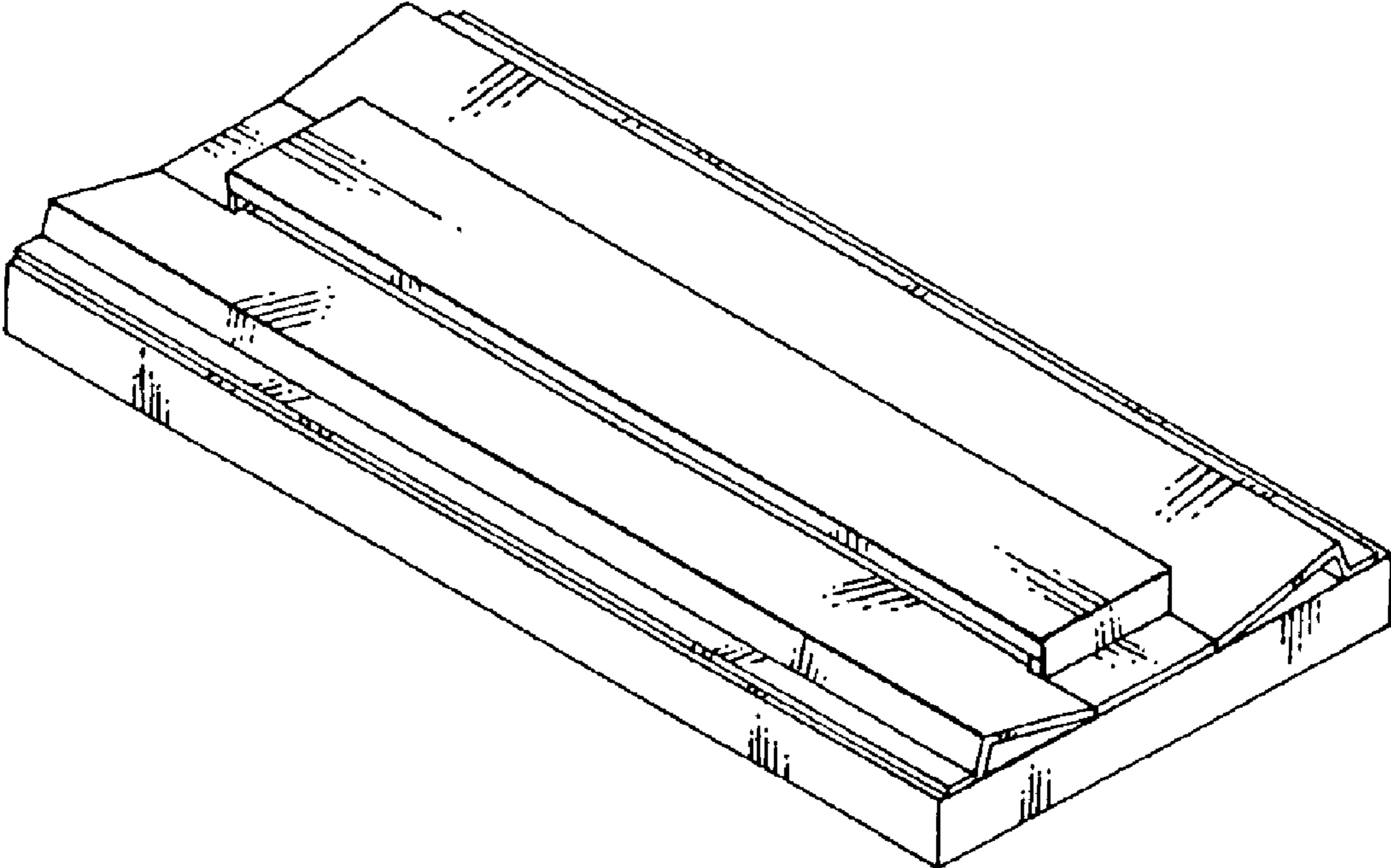


FIG. 1

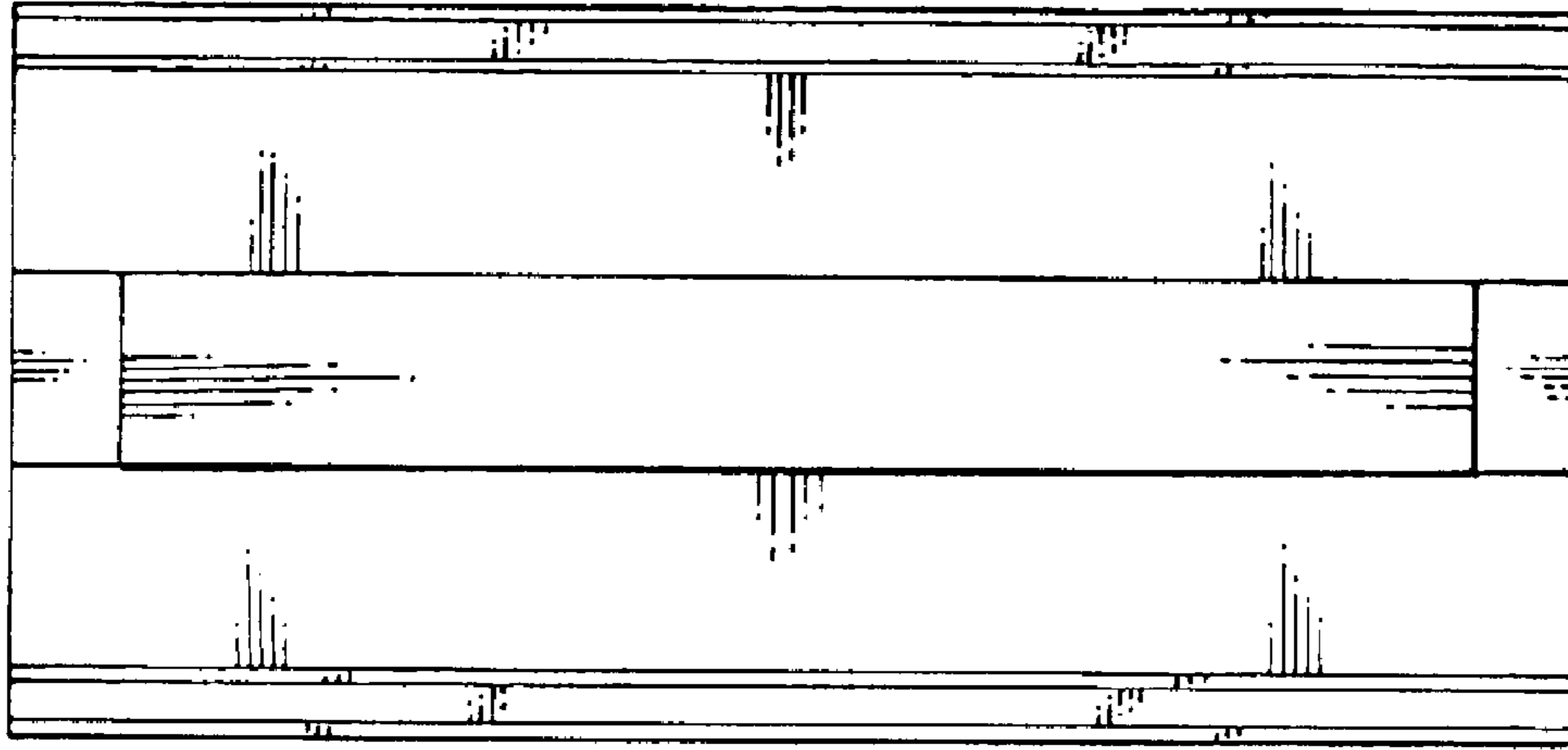


FIG. 2

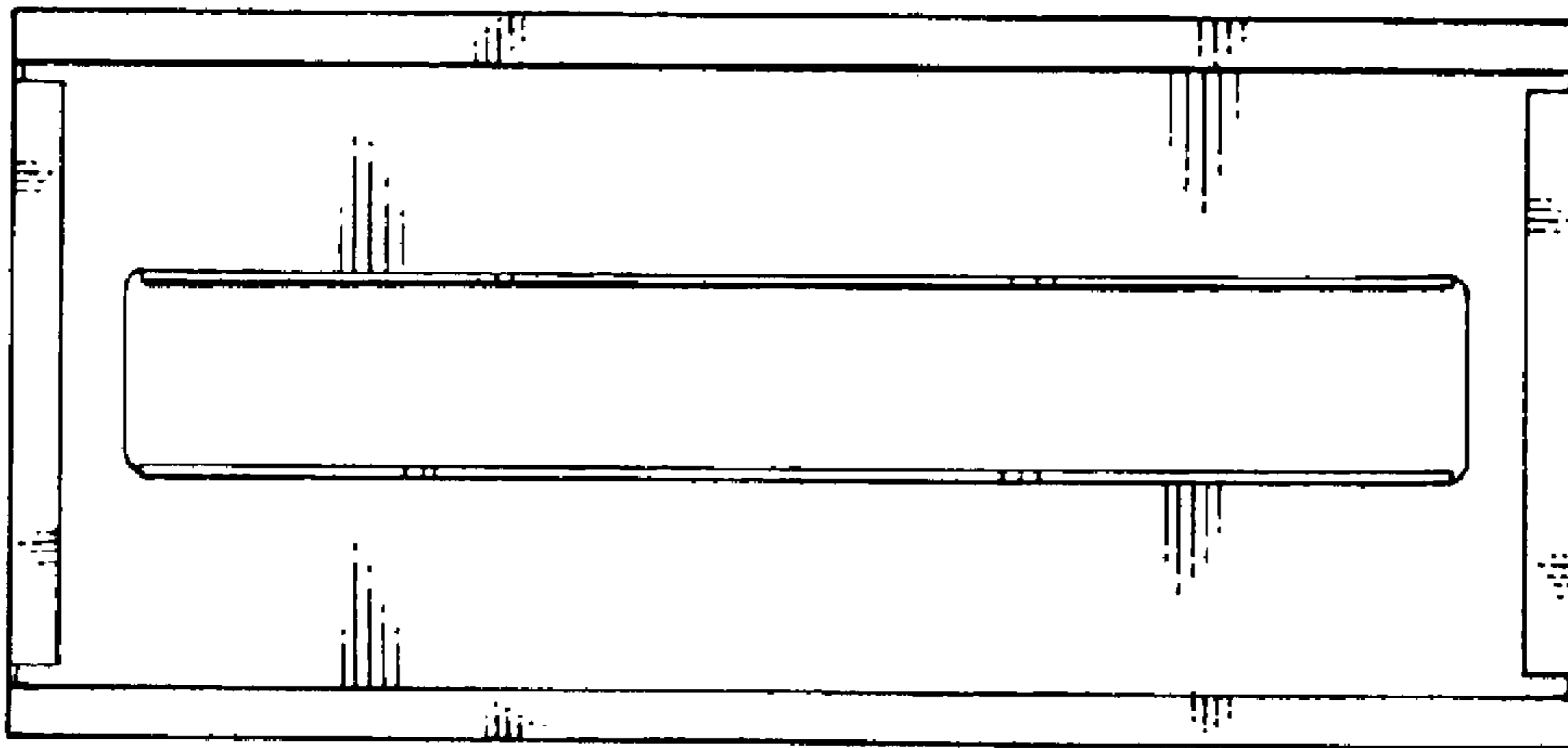


FIG. 3

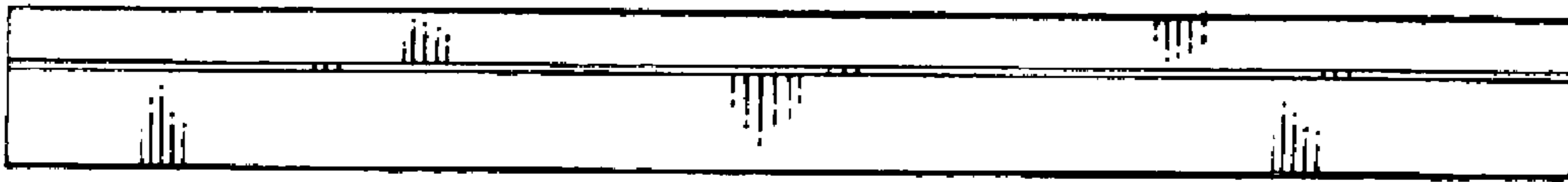


FIG. 4

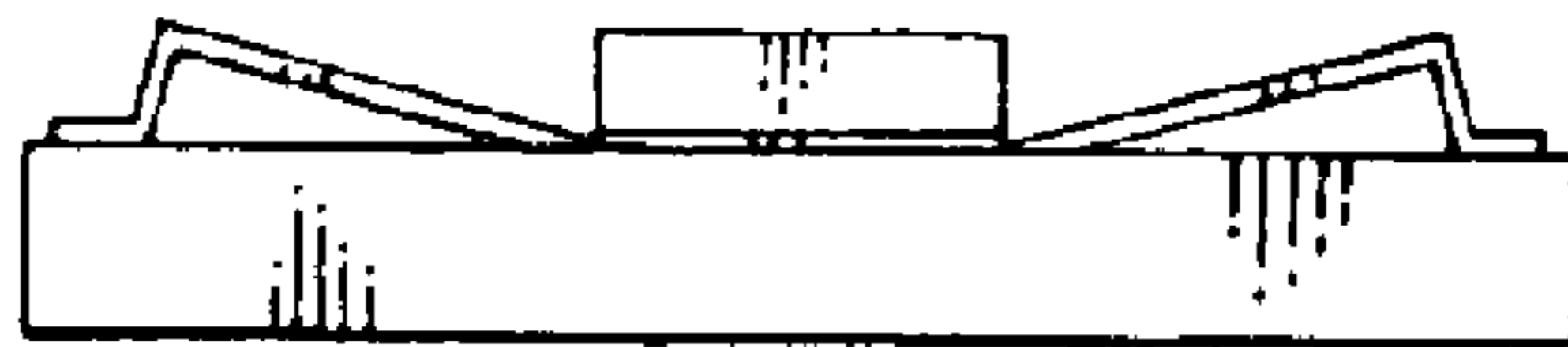


FIG. 5

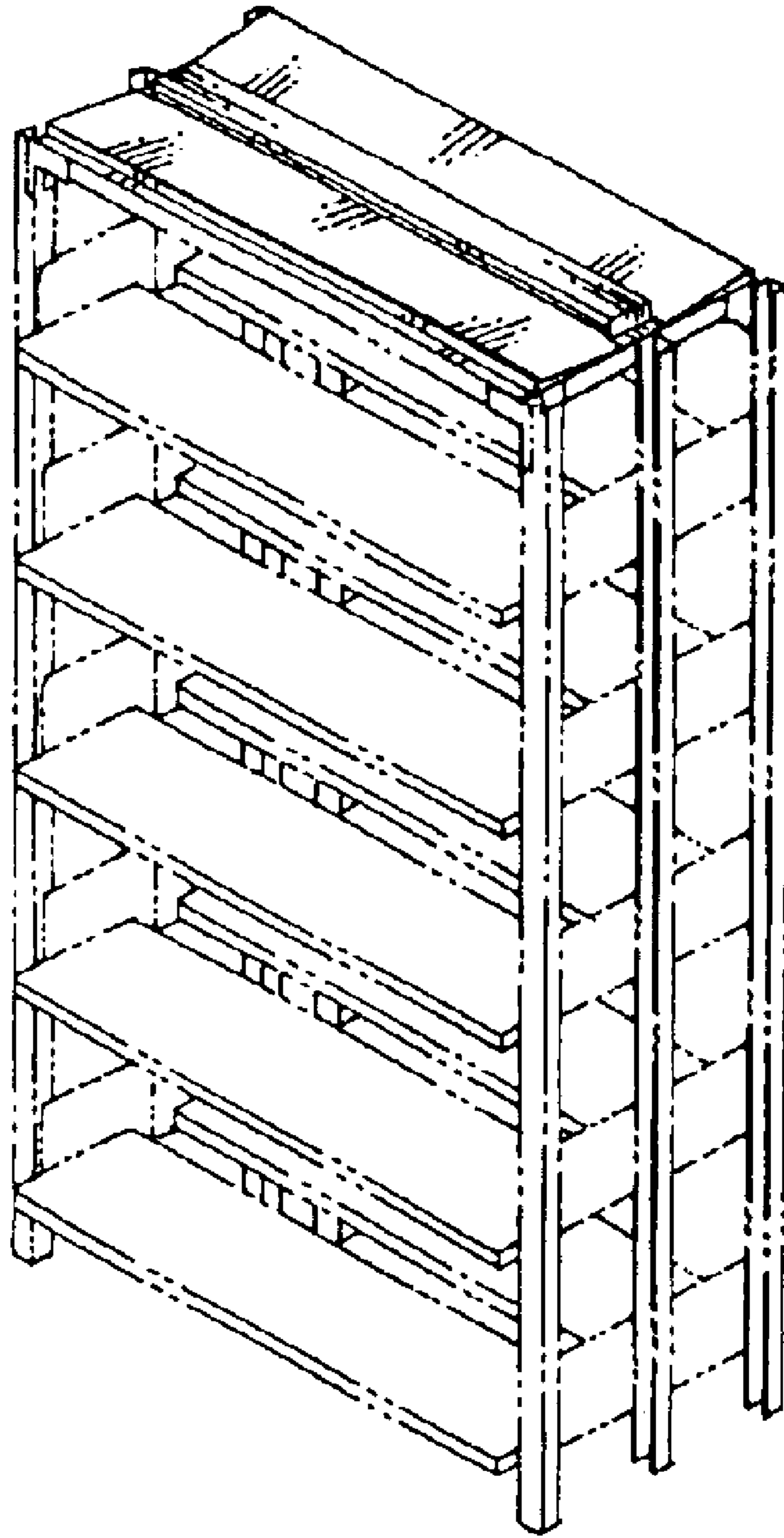


FIG. 6