

US00D509972S

(12) **United States Design Patent** (10) **Patent No.:** **US D509,972 S**  
**Brownfield et al.** (45) **Date of Patent:** **\*\* Sep. 27, 2005**

(54) **COMBINED PRODUCT DISPLAY AND STACKED PRODUCT CONTAINER SEPARATOR**

(75) Inventors: **Scott E. Brownfield**, Canal Winchester, OH (US); **Sebastian Calimeri**, Jamestown, NY (US)

(73) Assignee: **DSW Shoe Warehouse, Inc.**, Columbus, OH (US)

(\*\*) Term: **14 Years**

(21) Appl. No.: **29/205,562**

(22) Filed: **May 17, 2004**

**Related U.S. Application Data**

(62) Division of application No. 29/192,014, filed on Oct. 17, 2003, now Pat. No. Des. 495,172, which is a division of application No. 10/386,996, filed on Mar. 12, 2003.

(51) **LOC (8) Cl.** ..... **06-04**

(52) **U.S. Cl.** ..... **D6/449**

(58) **Field of Search** ..... D6/349, 396, 509-511, D6/416, 417, 450, 469, 480, 483, 486, 487, 491, 495, 449, 451; 211/34, 36, 37, 62, 183, 184; 297/4, 175, 118, 119; 108/12, 61, 66, 102, 115, 143

(56) **References Cited**

**U.S. PATENT DOCUMENTS**

653,699 A	7/1900	Robinson	
870,993 A	11/1907	Richardson	211/36
1,603,590 A	10/1926	Gardner et al.	
1,649,061 A	11/1927	Ensrud	312/351
1,720,564 A	7/1929	Noble	
1,821,024 A	1/1931	Noble	
2,098,828 A	11/1937	Ludwick	
D118,458 S	1/1940	Smith	
2,285,491 A	6/1942	Clark	
2,458,194 A	1/1949	Panosh	
2,462,611 A	2/1949	Bye	
2,495,109 A	1/1950	Kramer	
2,536,059 A	1/1951	Igler	211/90.04

2,778,700 A	*	1/1957	Mayer	108/115
2,817,443 A		12/1957	Payne	
3,092,257 A		6/1963	Rountree	
3,408,128 A		10/1968	Kump	
3,552,576 A		1/1971	Lahr	211/36
3,736,035 A		5/1973	Brown et al.	312/107
3,788,241 A		1/1974	Ravreby	108/6
3,879,095 A		4/1975	Seamans et al.	
3,995,925 A		12/1976	Roesler	
4,008,807 A		2/1977	Phillips	
4,111,307 A		9/1978	Peggs	211/1.53
4,133,589 A		1/1979	Johns	
D255,195 S		6/1980	Smith	D6/511
D256,196 S		8/1980	Kates	D6/478
D256,197 S		8/1980	Kates	D6/478

(Continued)

**OTHER PUBLICATIONS**

Photographic images (2) depicting a prior art footwear display system utilizing cardboard cartons (picture taken circa 2004).

Photographic images (2) depicting a prior art footwear display system utilizing the fixture shown and described in U.S. Pat. No. D478,435.

*Primary Examiner*—Mimosa De

(74) *Attorney, Agent, or Firm*—Wood, Herron & Evans, LLP

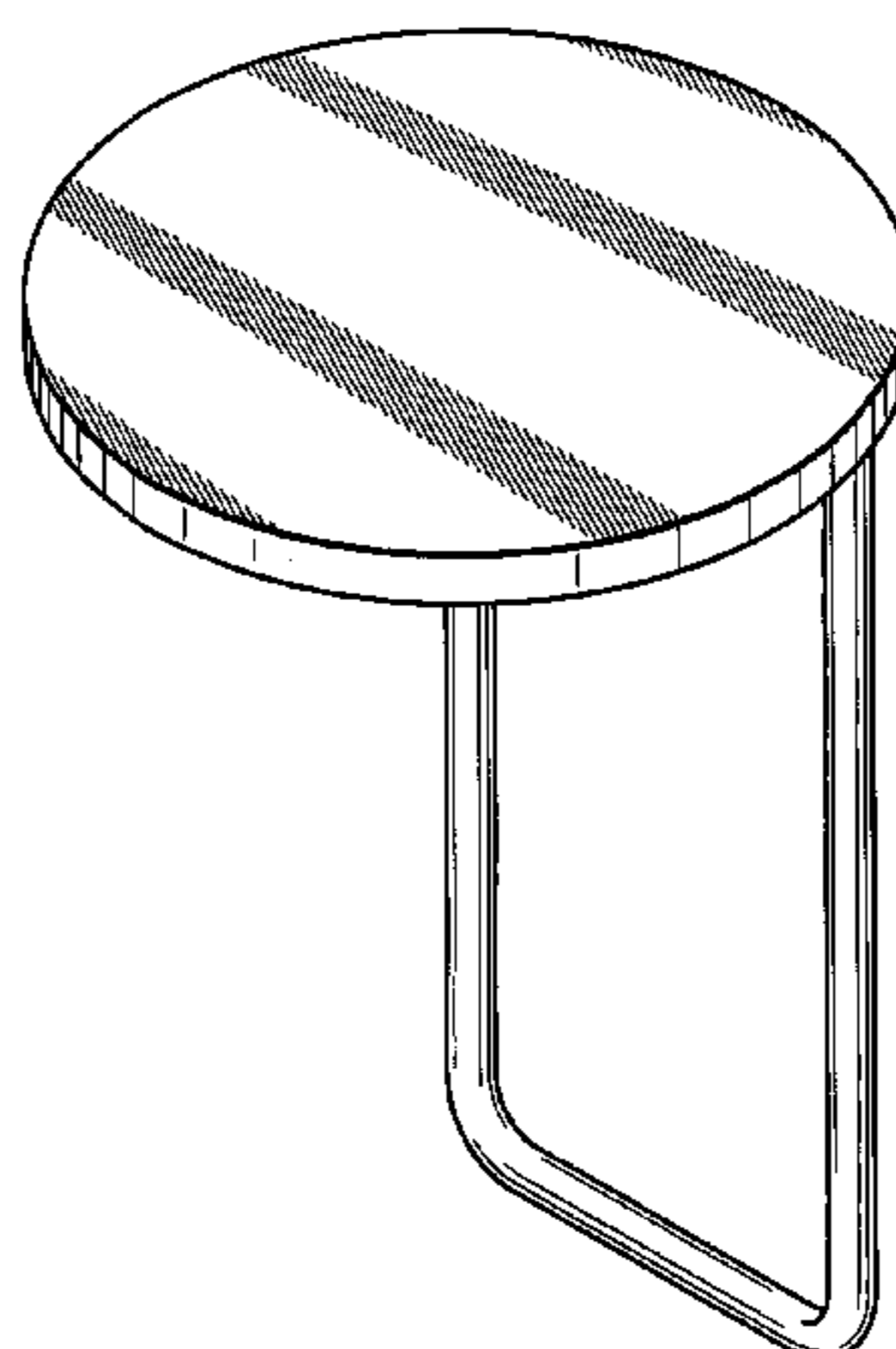
(57) **CLAIM**

The ornamental design for the combined product display and stacked product container separator, as shown and described.

**DESCRIPTION**

FIG. 1 is a perspective view of the top, front and left side of our new design for a combined product display and stacked product container separator;  
FIG. 2 is a left-side elevational view thereof;  
FIG. 3 is a front elevational view thereof;  
FIG. 4 is a right-side elevational view thereof;  
FIG. 5 is a rear elevational view thereof;  
FIG. 6 is a top plan view thereof; and,  
FIG. 7 is a bottom plan view thereof.

**1 Claim, 2 Drawing Sheets**



OTHER PUBLICATIONS

4,220,245 A	9/1980	Corcoran		5,960,965 A	10/1999	Saunders	
D259,603 S	*	6/1981	Gagnon ..... D6/483	5,992,648 A	11/1999	Saunders	
4,359,088 A	11/1982	Geverath ..... 165/297		D423,825 S	5/2000	Alcala et al. .... D6/478	
D274,878 S	7/1984	Kates ..... D6/511		D431,403 S	10/2000	Ford ..... D6/511	
D278,101 S	3/1985	McCabe ..... D6/478		6,164,215 A	12/2000	Cook et al. .... 108/60	
D280,275 S	*	8/1985	Criqui et al. .... D6/487	6,176,545 B1	*	1/2001	Hambleton ..... 297/4
4,611,717 A	9/1986	Hutson ..... 211/34		D445,617 S	7/2001	Von Gunten et al. .... D6/511	
4,676,547 A	*	6/1987	Spillman ..... 297/4	D454,272 S	3/2002	Petri ..... D6/510	
D293,865 S	1/1988	Robertson ..... D6/478		D462,185 S	*	9/2002	Sandy ..... D6/349
D294,090 S	2/1988	Robertson ..... D6/478		6,471,080 B1	10/2002	Hoffman ..... 211/126.1	
D300,791 S	4/1989	Osvold ..... D6/511		6,471,309 B1	10/2002	Turner	
D329,554 S	*	9/1992	Diffrient ..... D6/486	6,520,355 B1	2/2003	Pritchard et al. .... 211/187	
D367,387 S	2/1996	Sweere ..... D6/511		D478,435 S	8/2003	Brownfield	
D382,735 S	8/1997	Zapf ..... D6/492		D495,172 S	*	8/2004	Brownfield et al. .... D6/509

\* cited by examiner

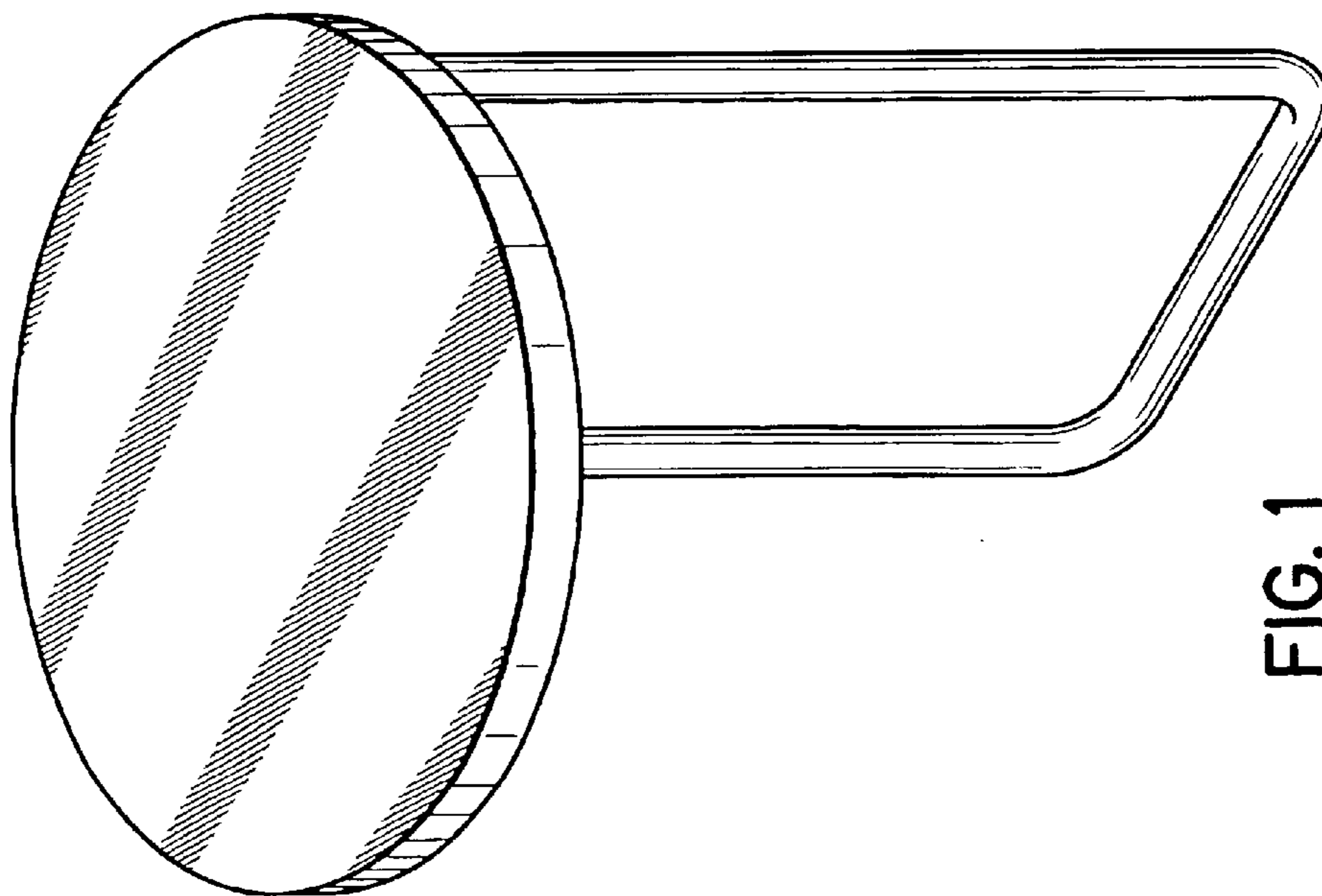


FIG. 1

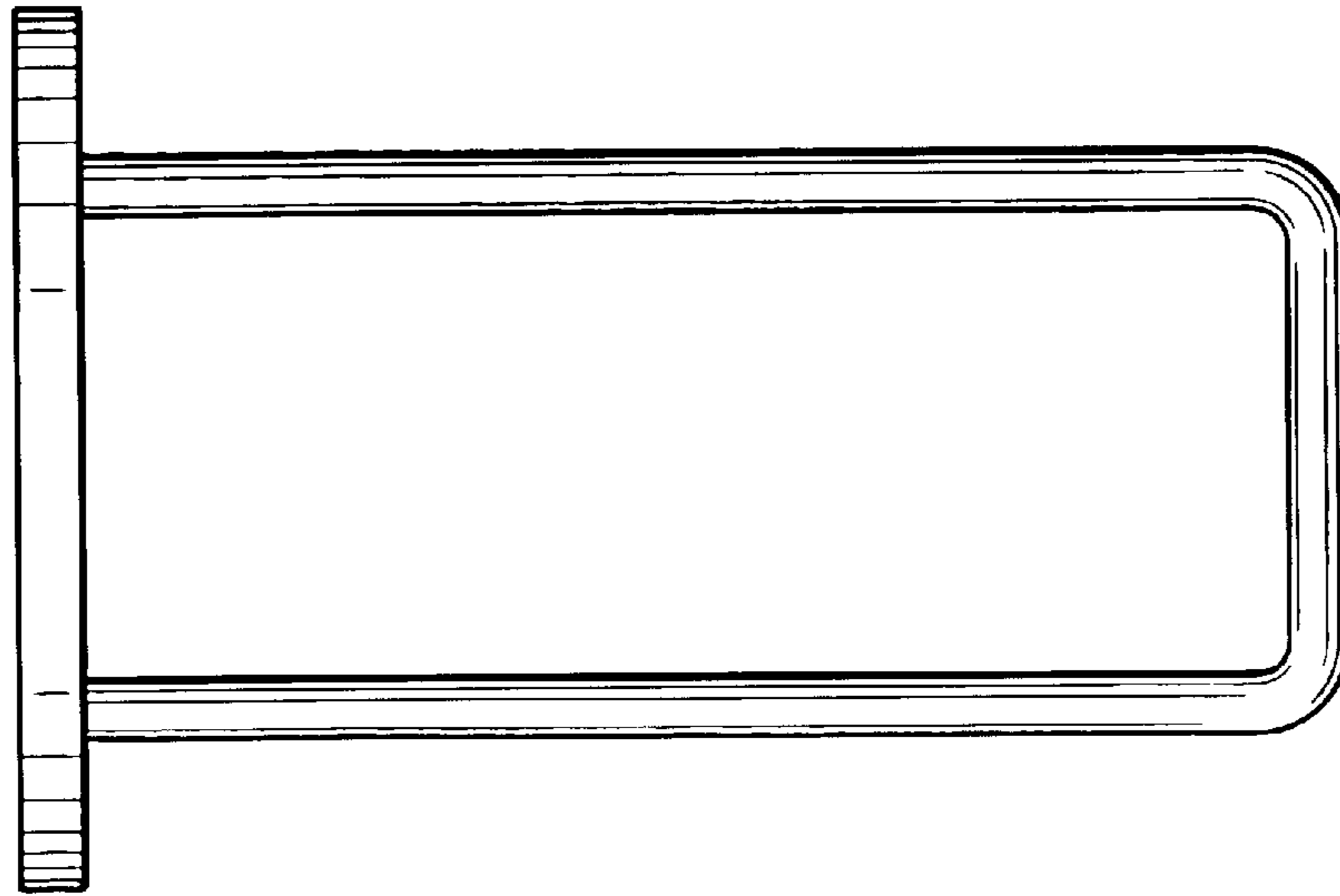


FIG. 2

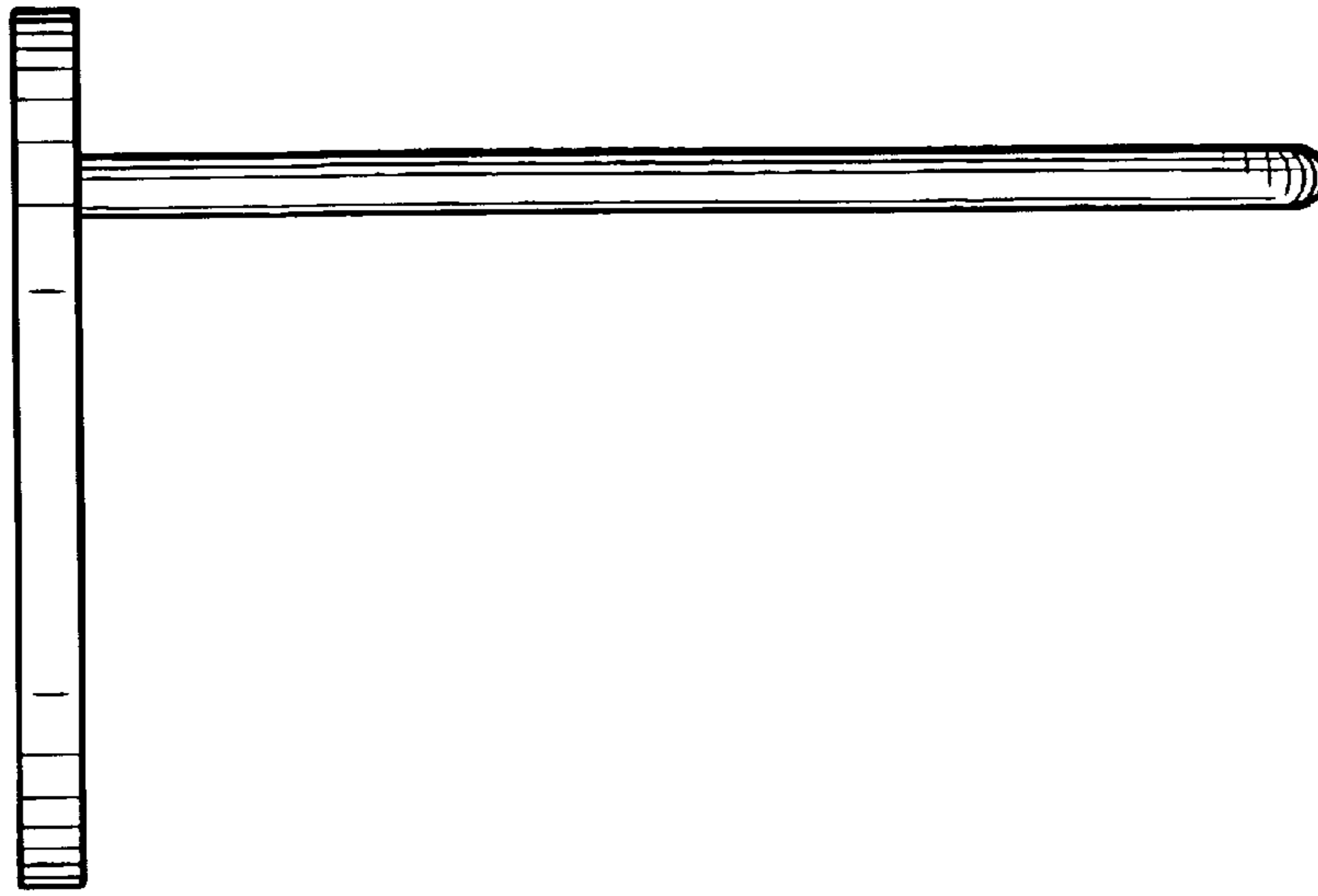


FIG. 3

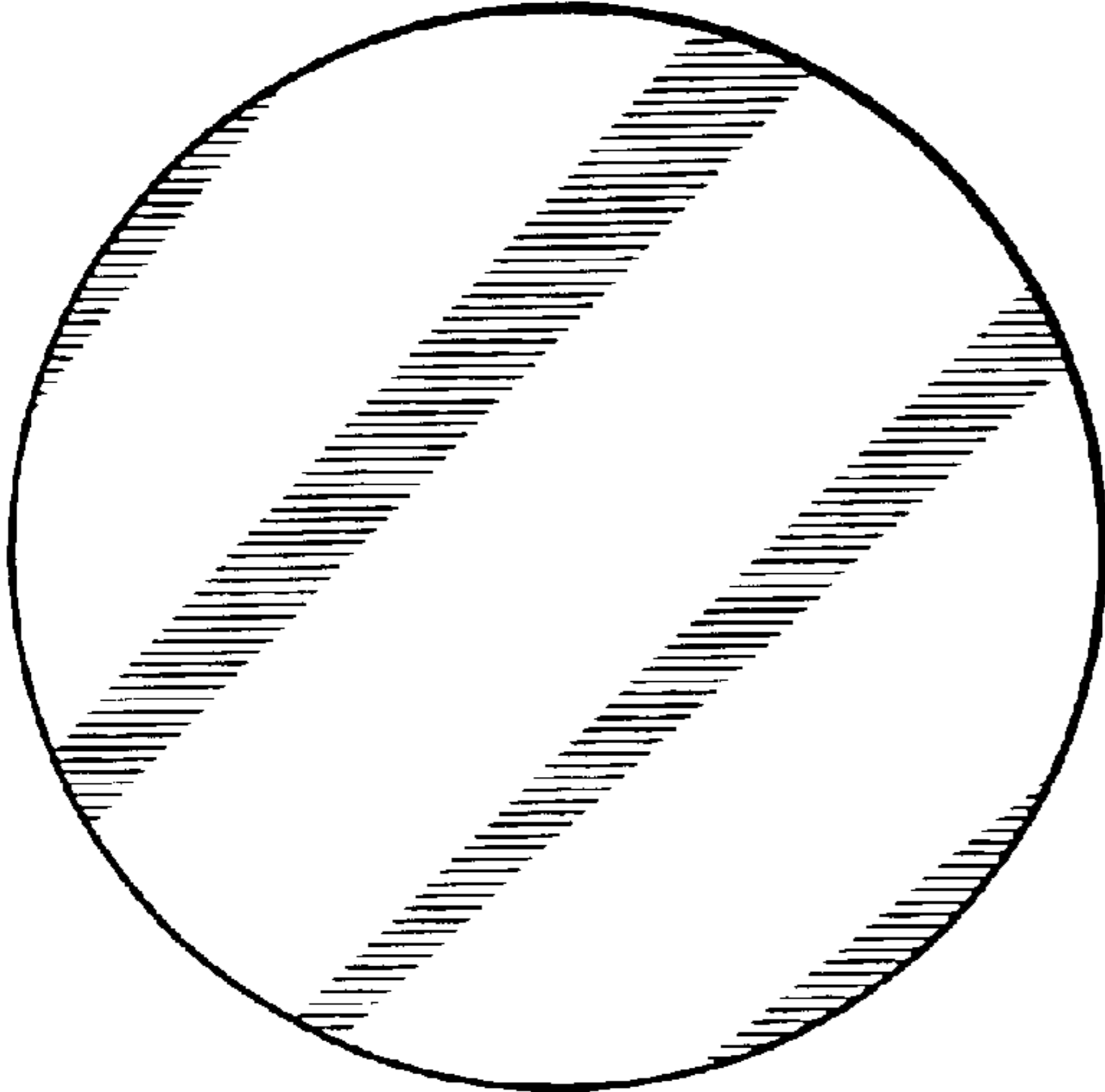


FIG. 6

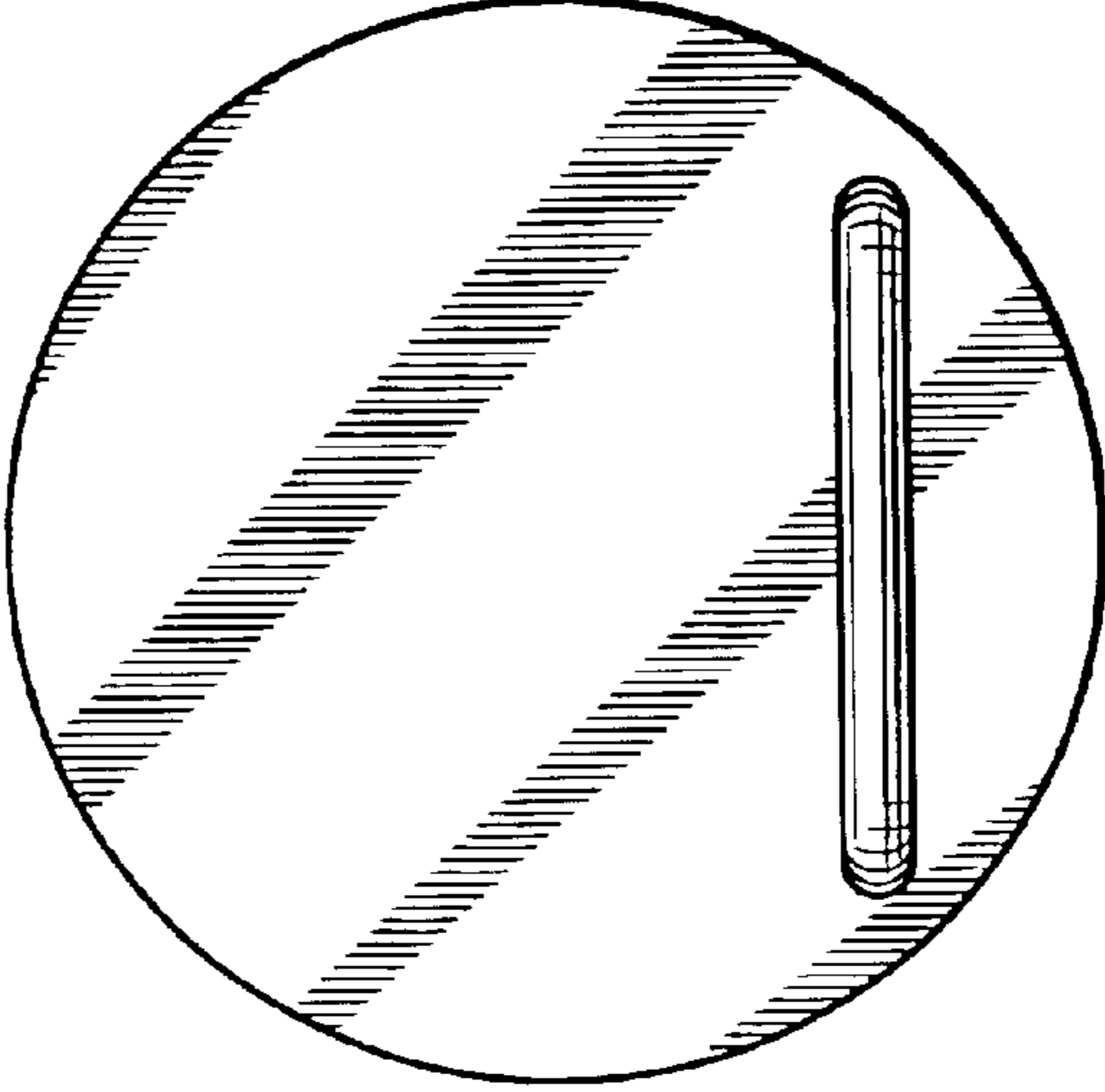


FIG. 7

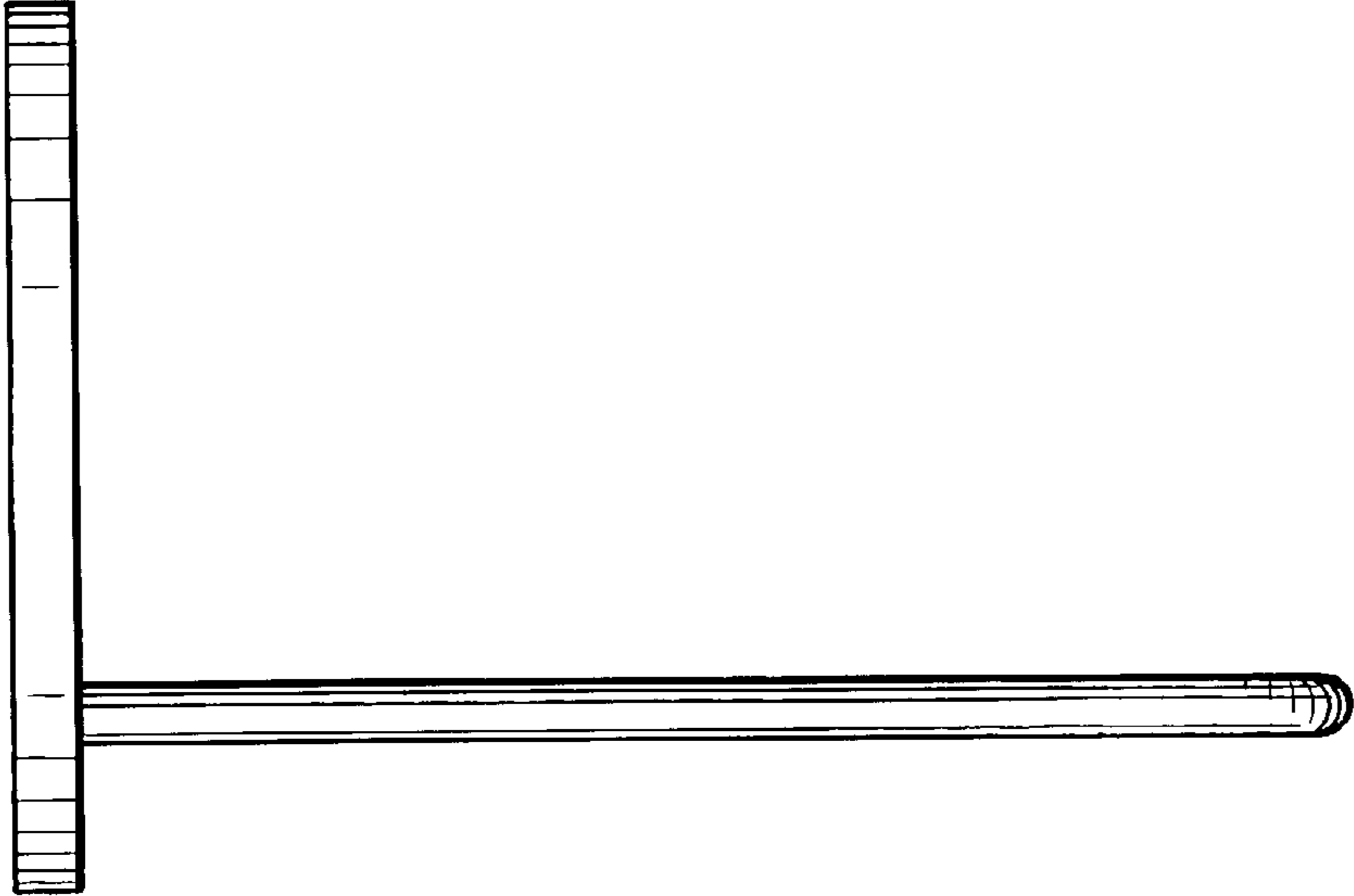


FIG. 5

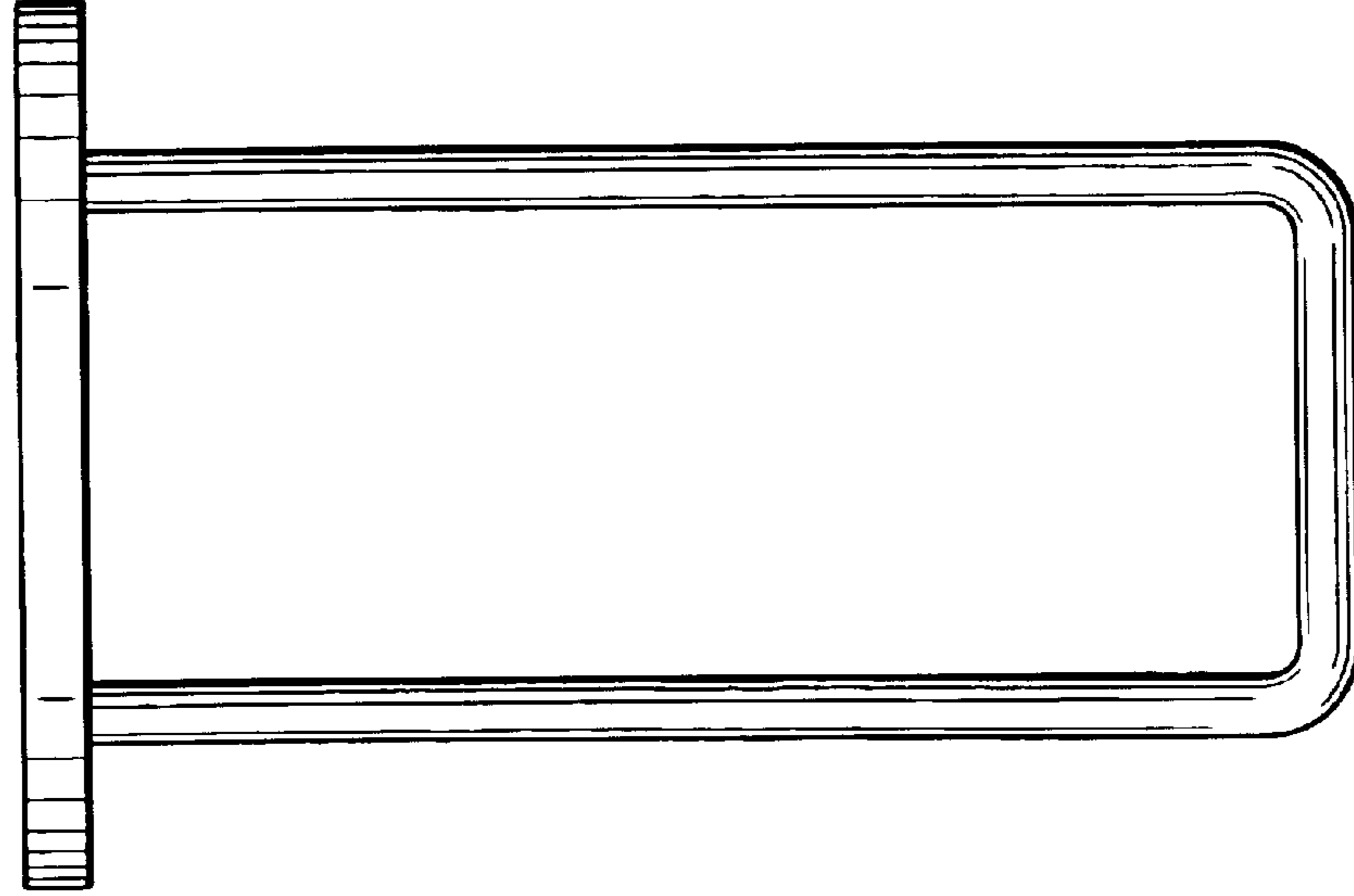


FIG. 4