

US00D509970S

(12) **United States Design Patent**  
**Adams**

(10) **Patent No.: US D509,970 S**  
(45) **Date of Patent: \*\* Sep. 27, 2005**

(54) **FOLDING CHAIR**

(75) **Inventor: William E. Adams, Portersville, PA (US)**

(73) **Assignee: Adams Mfg. Corp., Portersville, PA (US)**

(\*\*) **Term: 14 Years**

(21) **Appl. No.: 29/221,923**

(22) **Filed: Jan. 21, 2005**

(51) **LOC (8) Cl. .... 06-01**

(52) **U.S. Cl. .... D6/368; D6/370**

(58) **Field of Search .... D6/334-336, 368, D6/370, 374, 375, 379, 380, 500-502; 297/31, 35, 239, 411.42, 411.43, 445.1, 452.63**

(56) **References Cited**

**U.S. PATENT DOCUMENTS**

2,072,075	A	2/1937	Travers	
D109,239	S	* 4/1938	Wolpin	D6/370
2,192,672	A	* 3/1940	Connor, Jr.	297/35
2,222,296	A	* 11/1940	Luiken	297/31
2,600,626	A	* 6/1952	Ellingson	297/31
2,603,273	A	7/1952	Gambrill	
2,650,652	A	* 9/1953	Watson	297/31
4,522,446	A	6/1985	Sheridan	
4,635,998	A	* 1/1987	Hickey	297/31

4,707,023	A	* 11/1987	Hickey	297/31
4,890,881	A	1/1990	Ollat et al.	
4,976,492	A	* 12/1990	Ziegler	297/31
D319,354	S	* 8/1991	Wolcott	D6/370
5,120,071	A	* 6/1992	Thibault et al.	D6/370
D334,299	S	3/1993	Embree	
D366,771	S	* 2/1996	Lyons	D6/370
5,511,849	A	4/1996	Cahaley et al.	
D384,511	S	10/1997	Gresens	
D407,227	S	3/1999	Walters	
D407,228	S	3/1999	Walters	
D413,452	S	* 9/1999	Rhienen	D6/370
D503,550	S	* 4/2005	Miesieski et al.	D6/336

\* cited by examiner

*Primary Examiner*—Mimosa De

(74) *Attorney, Agent, or Firm*—Buchanan Ingersoll PC

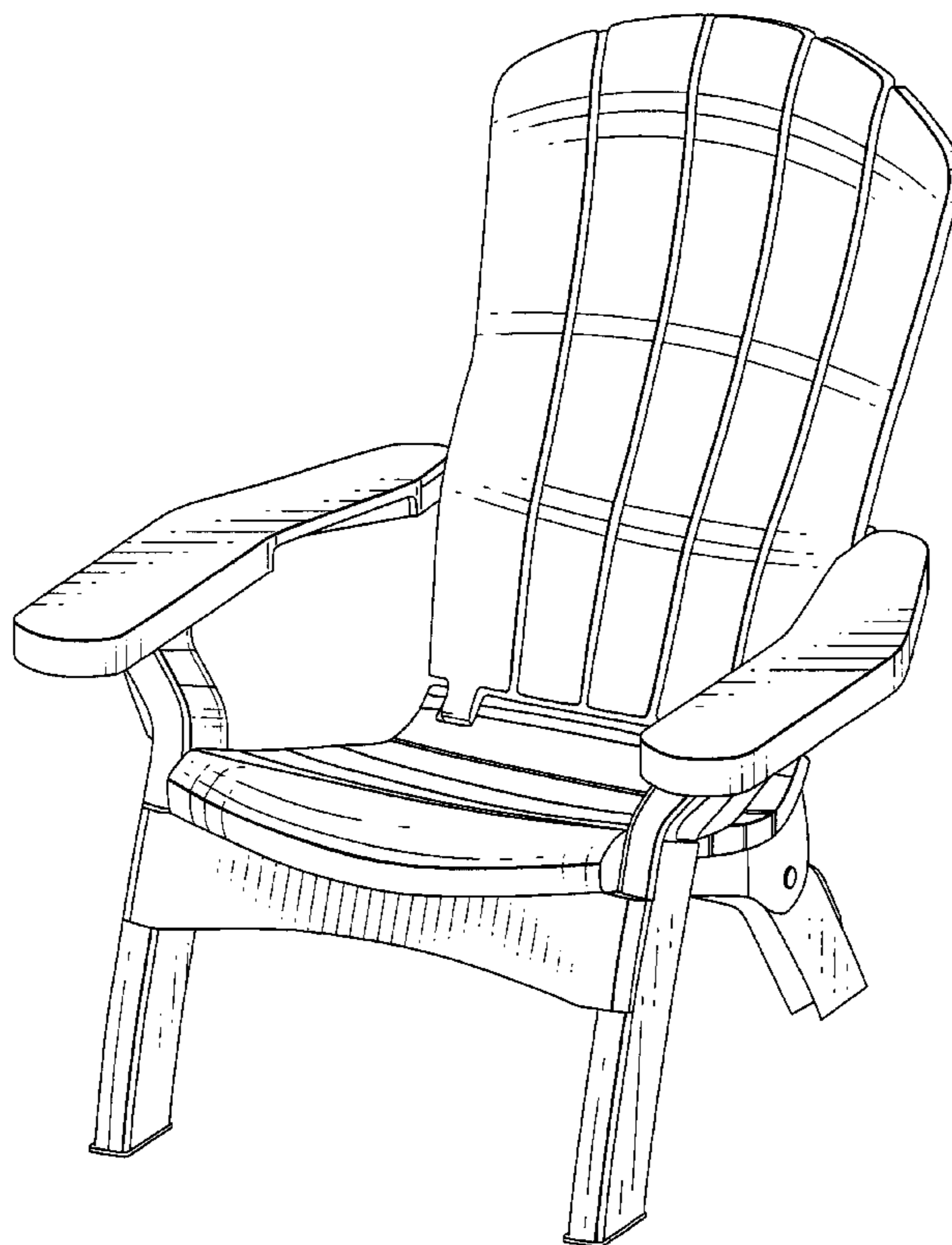
(57) **CLAIM**

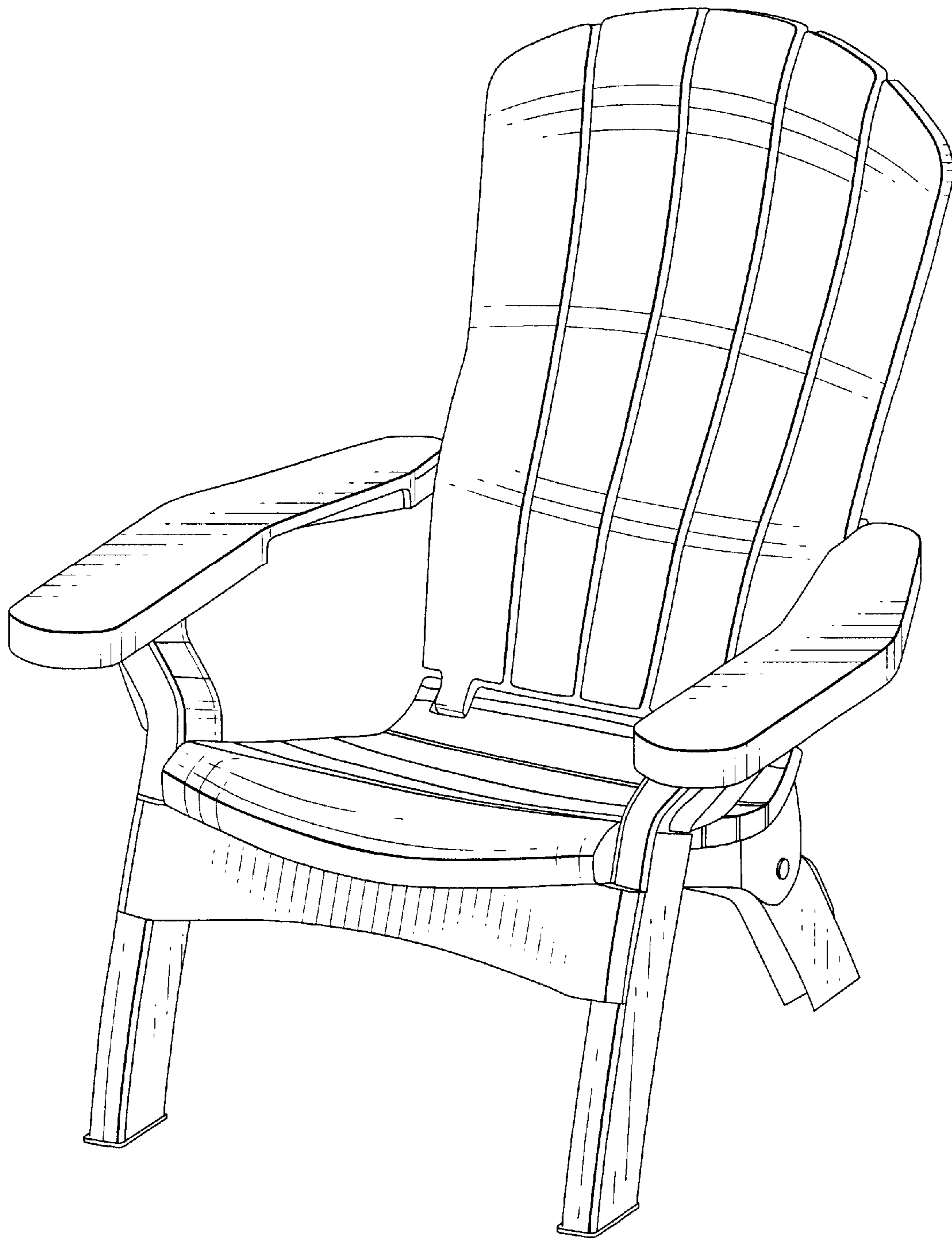
The ornamental design for a folding chair, as shown and described.

**DESCRIPTION**

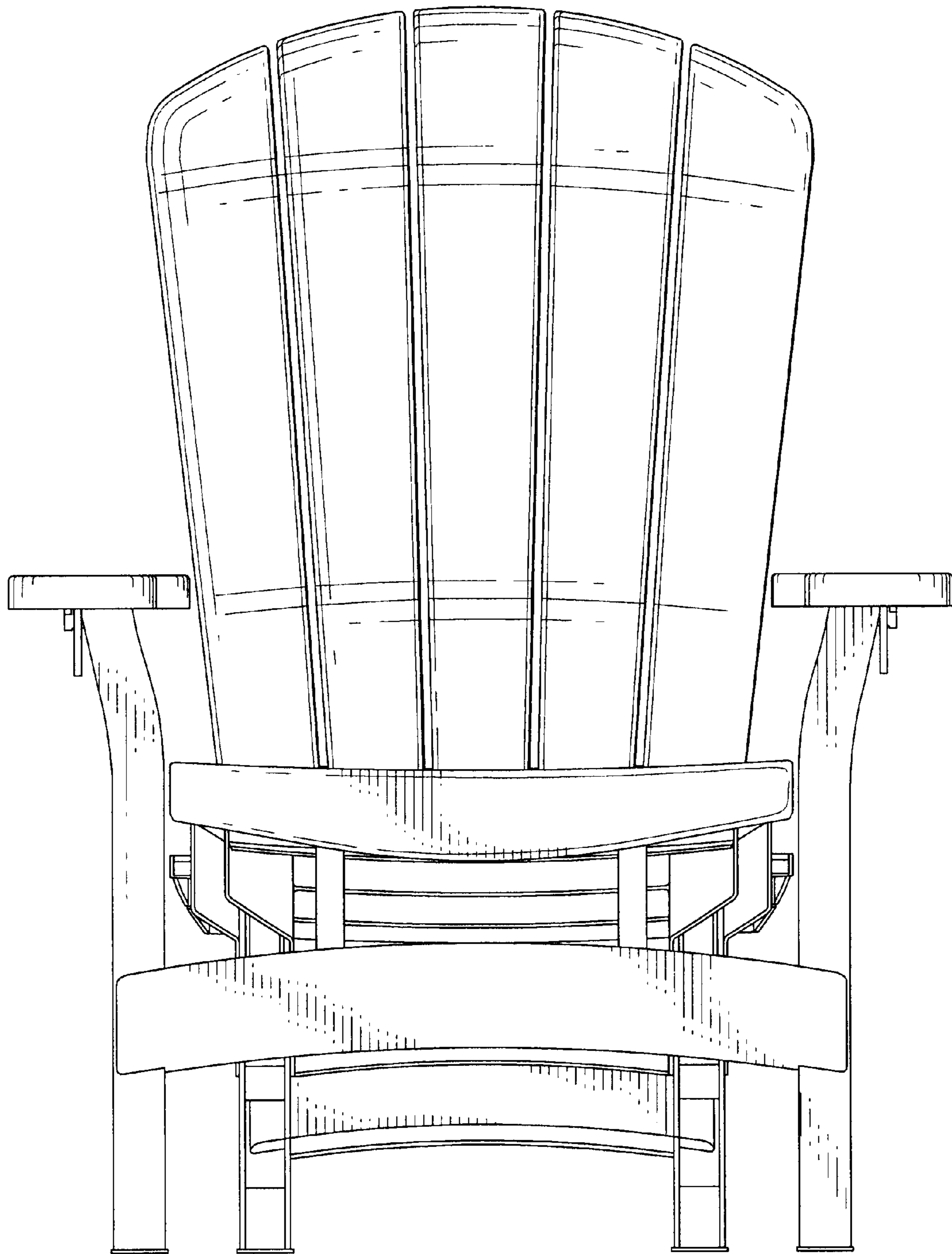
FIG. 1 is a front perspective view of my folding chair; FIG. 2 is a front view thereof; FIG. 3 is a left side view thereof, the right side view being a mirror image; FIG. 4 is a top view thereof; FIG. 5 is a back view thereof; and, FIG. 6 is a bottom view thereof.

**1 Claim, 6 Drawing Sheets**

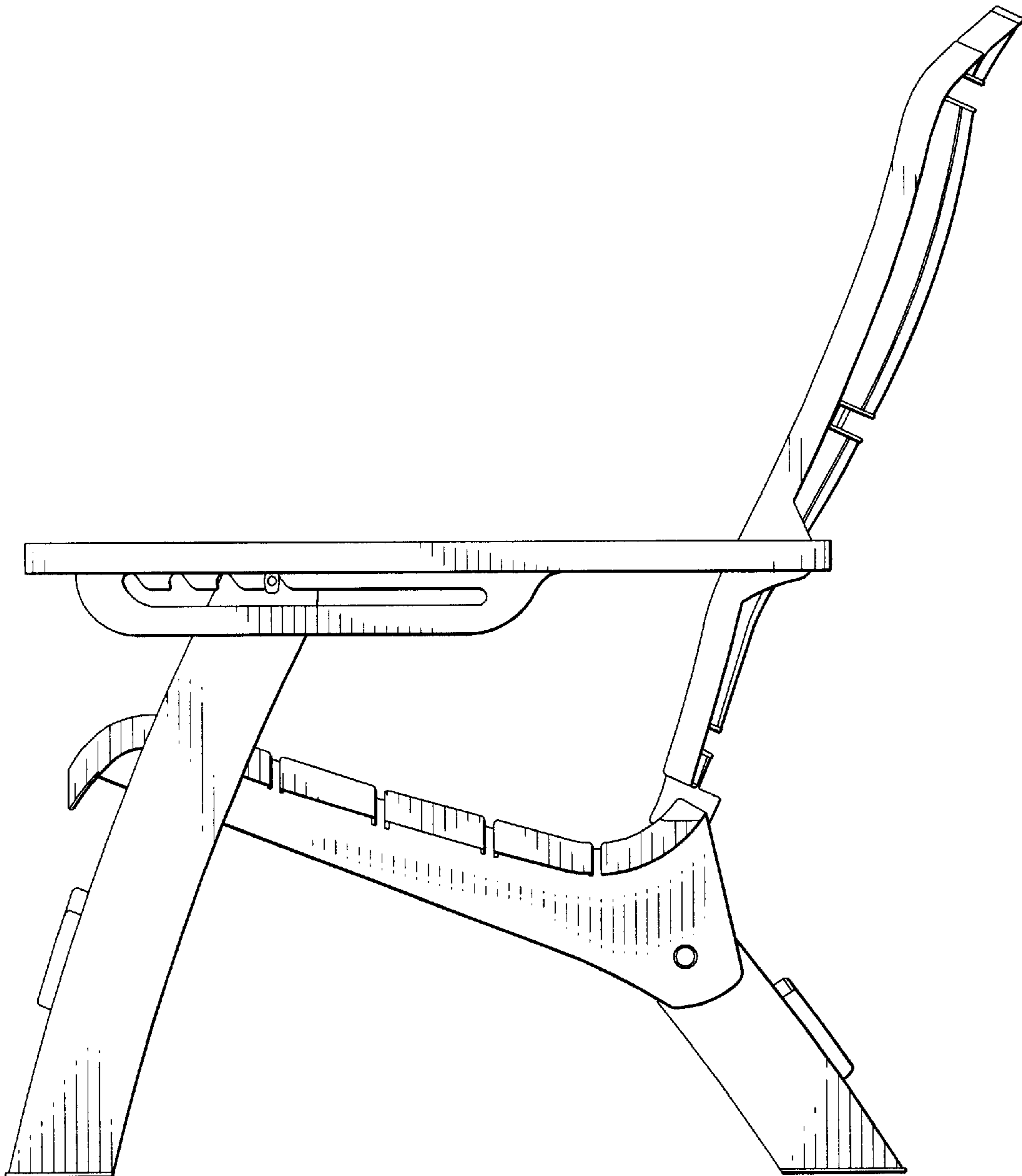




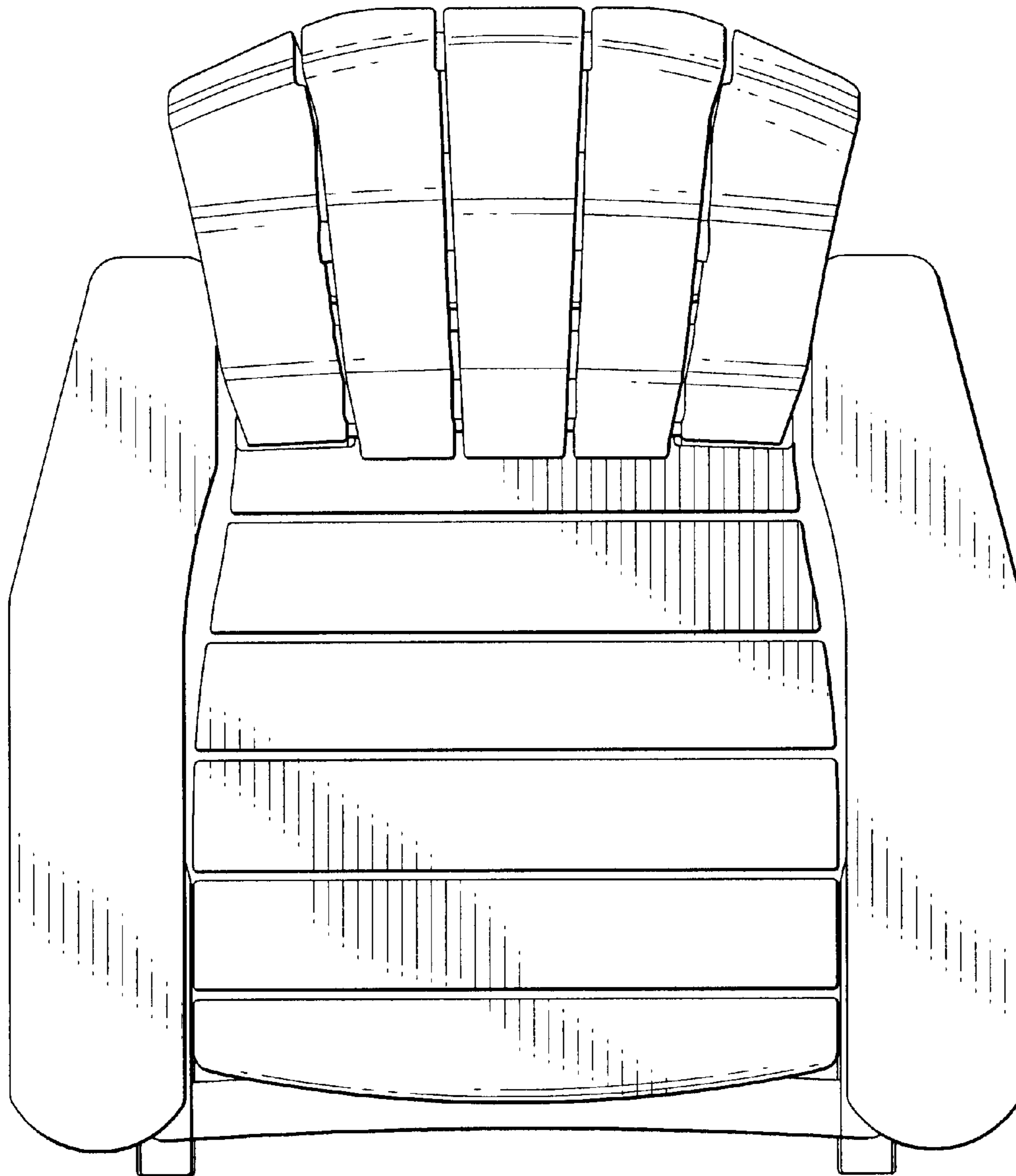
*FIG. 1*



*FIG. 2*



*FIG. 3*



*FIG. 4*

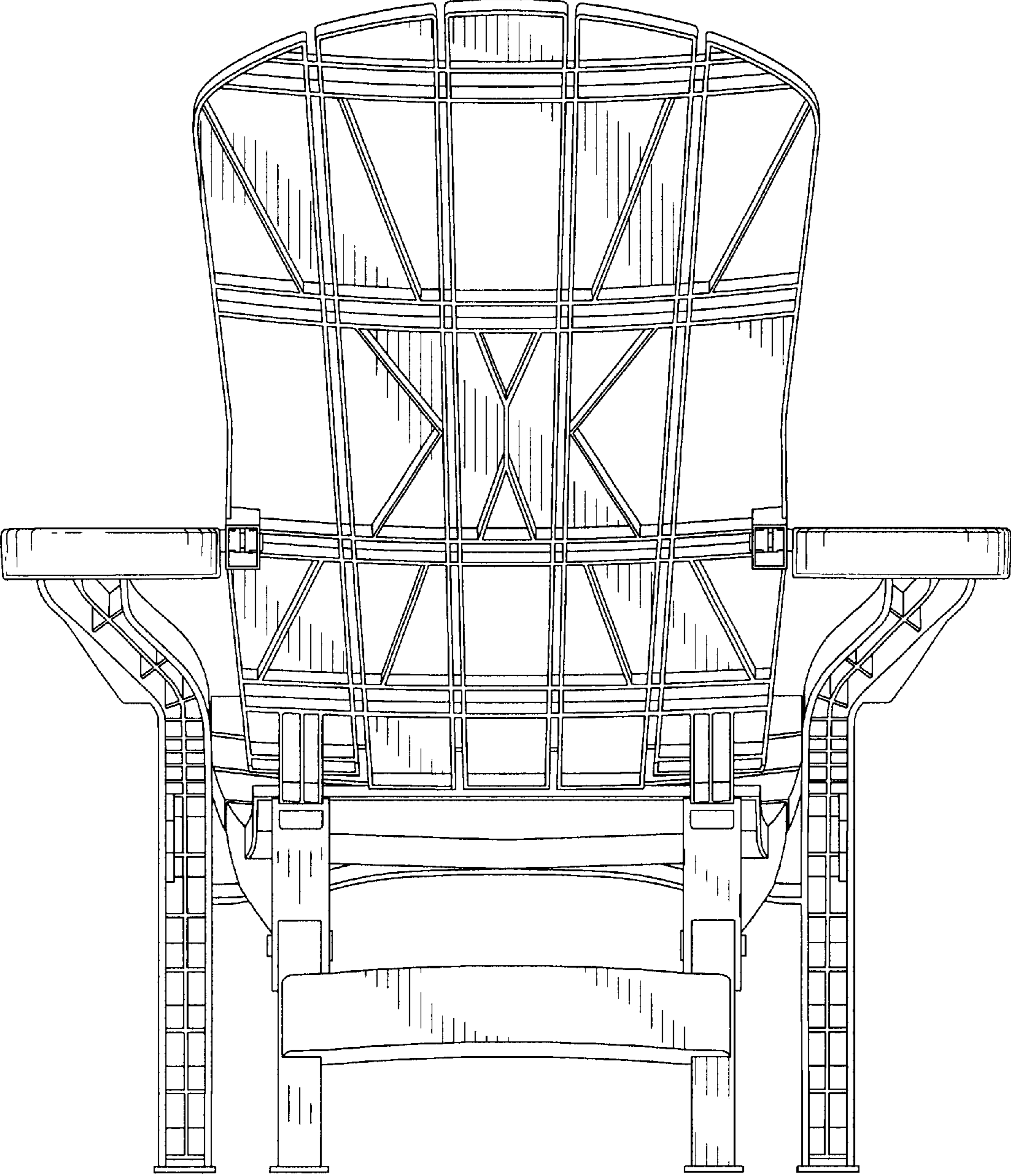


FIG. 5

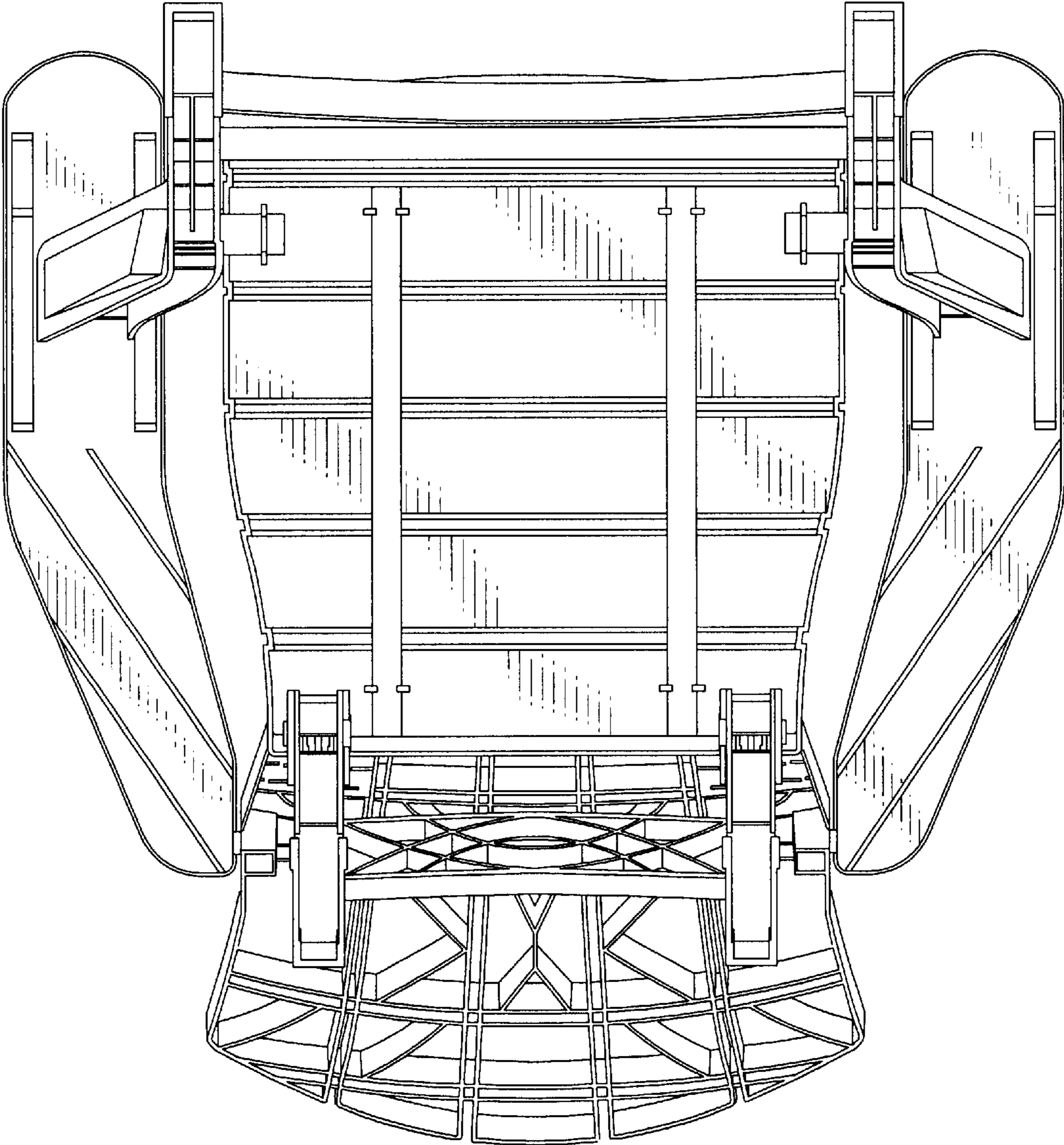


FIG. 6