

US00D509969S

(12) **United States Design Patent** (10) **Patent No.:** **US D509,969 S**
Loew et al. (45) **Date of Patent:** **** Sep. 27, 2005**

(54) **SEATING UNIT**
 (75) **Inventors:** **Glen Oliver Loew**, Hamburg (DE);
Kurt R. Heidmann, Grand Rapids, MI (US)

D468,564 S 1/2003 Piretti et al.
 D469,618 S 2/2003 Nagamitsu
 D476,820 S * 7/2003 Nagamitsu D6/366
 D489,542 S * 5/2004 Giugiaro D6/366
 2002/0190561 A1 12/2002 Phillips et al.

(73) **Assignee:** **Steelcase Development Corporation**,
 Caledonia, MI (US)

FOREIGN PATENT DOCUMENTS

(**) **Term:** **14 Years**

EP 0836819 4/1998
 EP 1044634 10/2000
 EP 1059051 12/2000
 EP 1287765 3/2003
 JP 2003079474 9/2003
 JP 2003079478 9/2003
 WO WO9816140 4/1998
 WO WO0022960 4/2000
 WO WO0074531 12/2000
 WO WO0178558 10/2001

(21) **Appl. No.:** **29/189,522**

(22) **Filed:** **Sep. 5, 2003**

(51) **LOC (8) Cl.** **06-01**

(52) **U.S. Cl.** **D6/366**

(58) **Field of Search** D6/334, 364, 365,
 D6/366, 367, 500, 501, 502; 297/411.2,
 411.27, 411.36

OTHER PUBLICATIONS

(56) **References Cited**

U.S. PATENT DOCUMENTS

D180,975 S * 9/1957 Umanoff D6/495
 D240,375 S * 7/1976 Buhk D6/366
 D260,056 S * 8/1981 Sapper D6/366
 D266,804 S * 11/1982 Zapf D6/367
 D327,781 S 7/1992 Citterio
 D327,782 S 7/1992 Citterio
 5,318,347 A 6/1994 Tseng
 D410,799 S * 6/1999 Meda D6/366
 5,997,093 A 12/1999 Gollin et al.
 6,076,892 A 6/2000 van Hekken et al.
 6,106,070 A 8/2000 Ritt et al.
 6,149,236 A 11/2000 Brauning
 D436,259 S 1/2001 Nagamitsu
 D436,260 S 1/2001 Nagamitsu
 D436,456 S * 1/2001 Neil D6/366
 D437,132 S 2/2001 Nagamitsu
 D437,497 S 2/2001 Brauning
 D437,701 S 2/2001 Bellini et al.
 D449,174 S 10/2001 Neil
 D451,293 S * 12/2001 Su D6/366
 D456,625 S 5/2002 Frenkler et al.
 D457,739 S * 5/2002 Pearce et al. D6/366
 6,394,553 B1 5/2002 McAllister et al.
 6,439,661 B1 8/2002 Brauning

Chair. Soho Today. Apr. 2002.*
 Meda Executive Chair. Design Within Reach.*
 Meda II Chair brochure printed off Vitra.com website dated
 Dec. 18, 2002 (4 pages).

* cited by examiner

Primary Examiner—Caron D. Veynar
Assistant Examiner—Vy Nguyen
 (74) *Attorney, Agent, or Firm*—Price, Heneveld, Cooper,
 DeWitt & Litton LLP

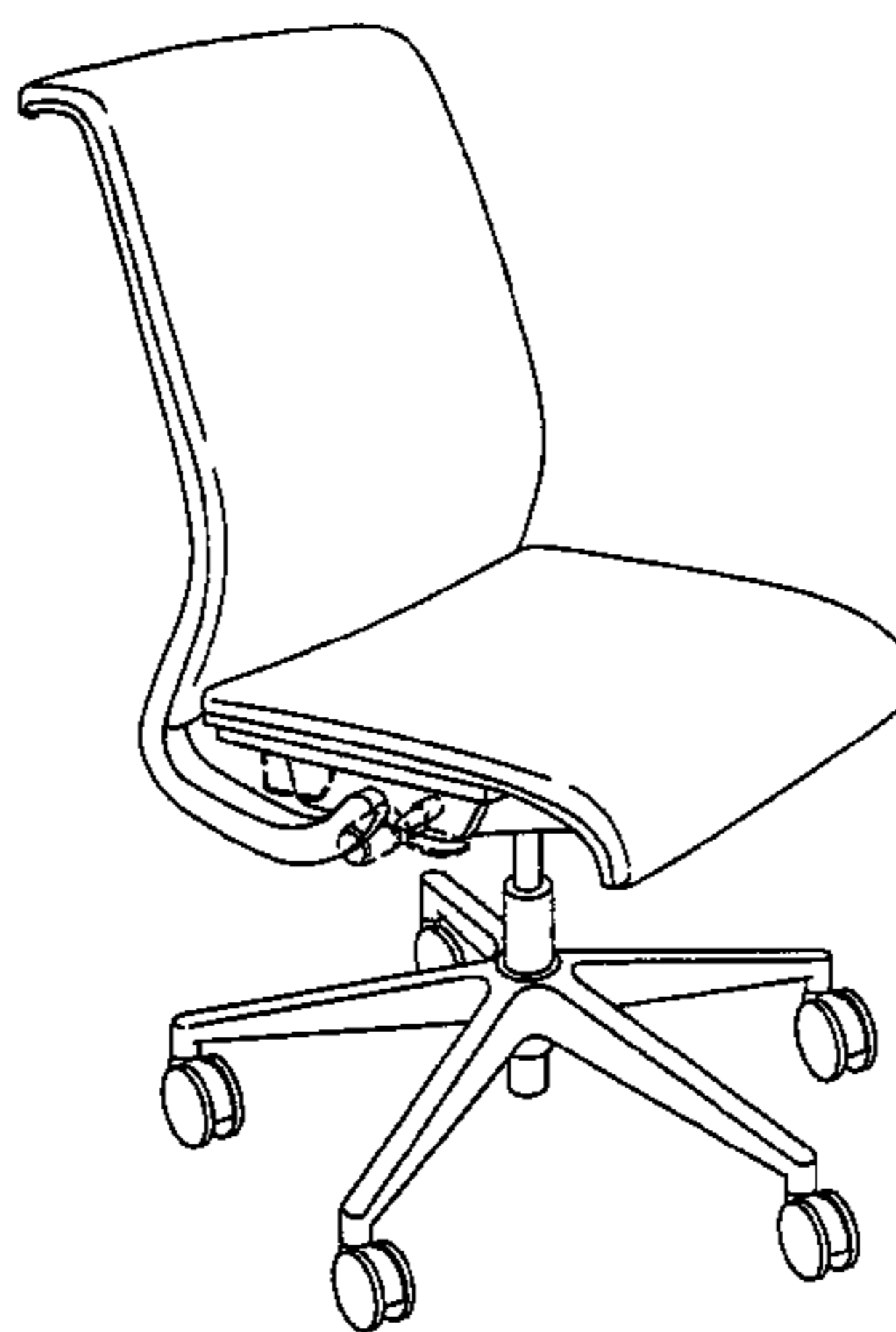
(57) **CLAIM**

We claim the ornamental design for a seating unit, as shown
 and described.

DESCRIPTION

FIG. 1 is a front perspective view of the seating unit;
 FIG. 2 is a rear perspective view thereof;
 FIG. 3 is a right side elevation view thereof;
 FIG. 4 is a front elevation view thereof;
 FIG. 5 is a left side elevation view thereof;
 FIG. 6 is a rear elevation view thereof;
 FIG. 7 is a top plan view thereof; and,
 FIG. 8 is a bottom plan view thereof.

1 Claim, 4 Drawing Sheets



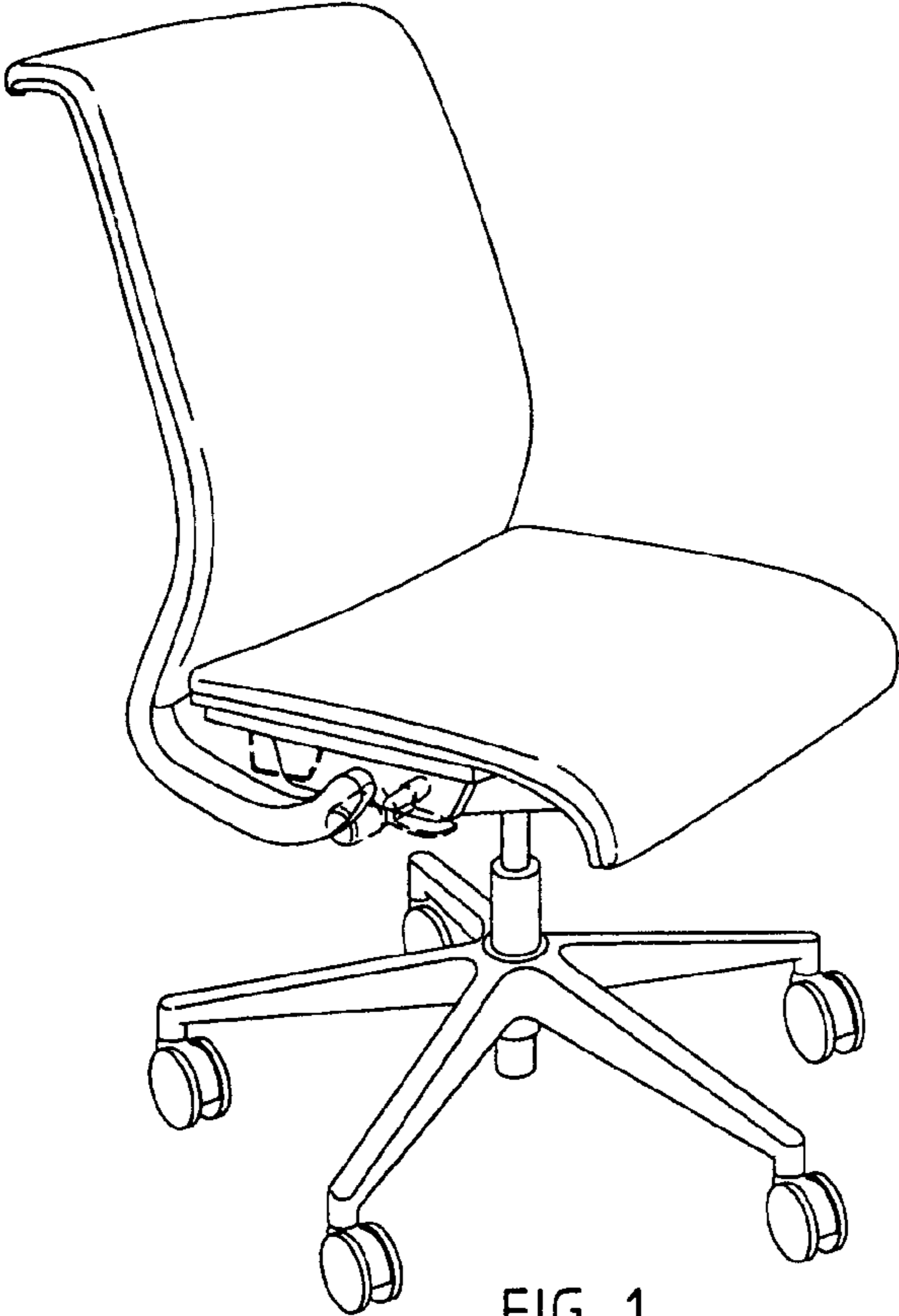


FIG. 1

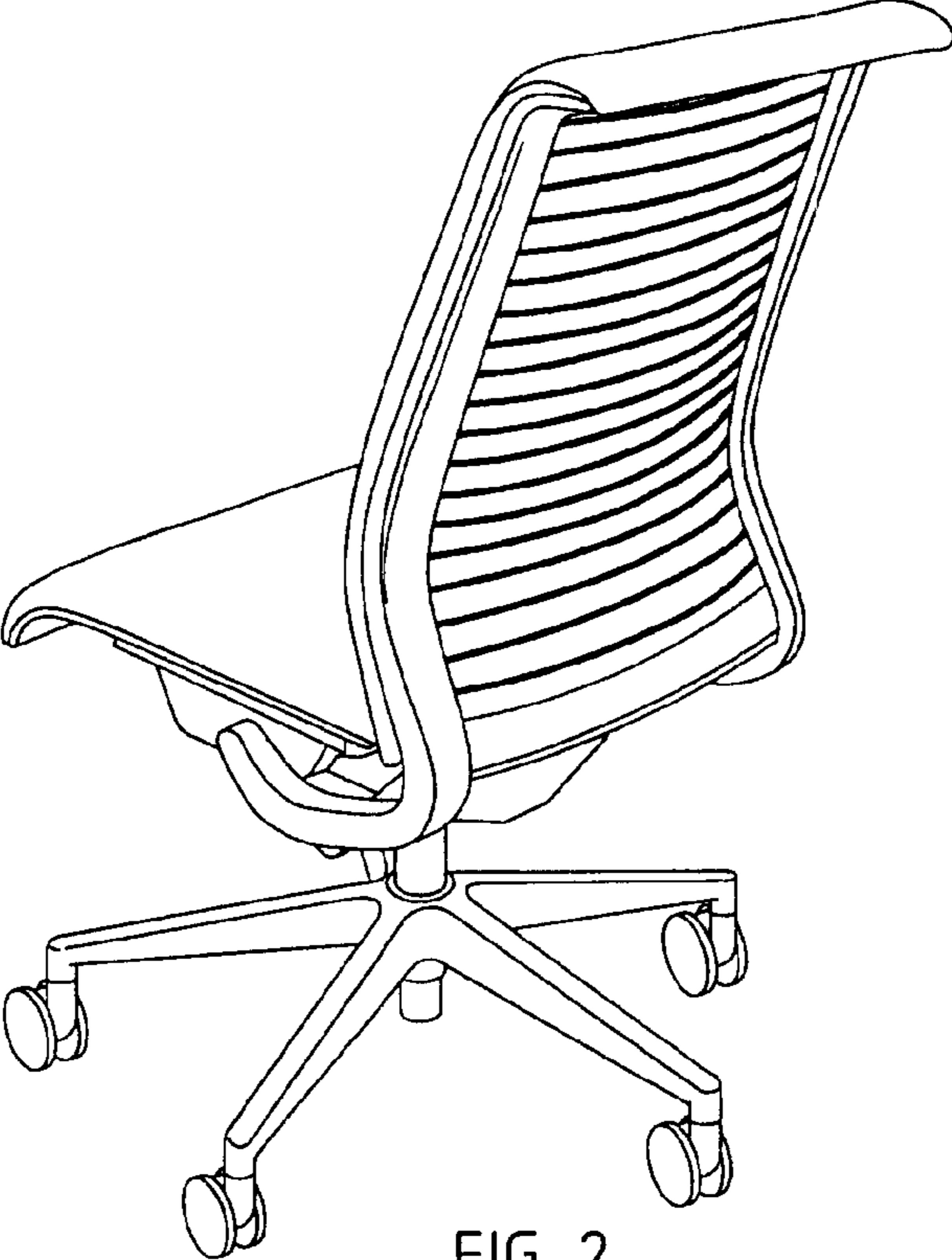


FIG. 2

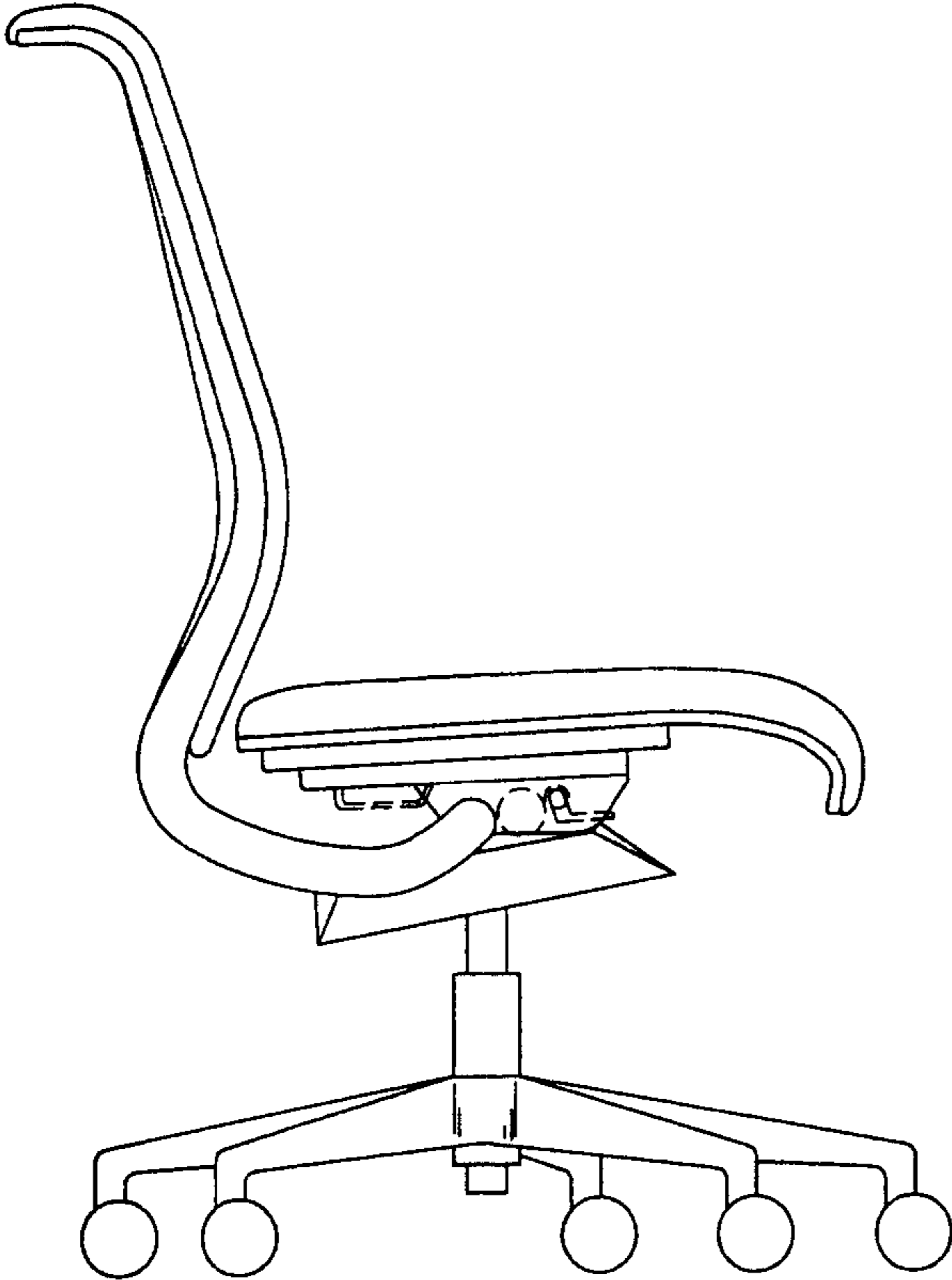


FIG. 3

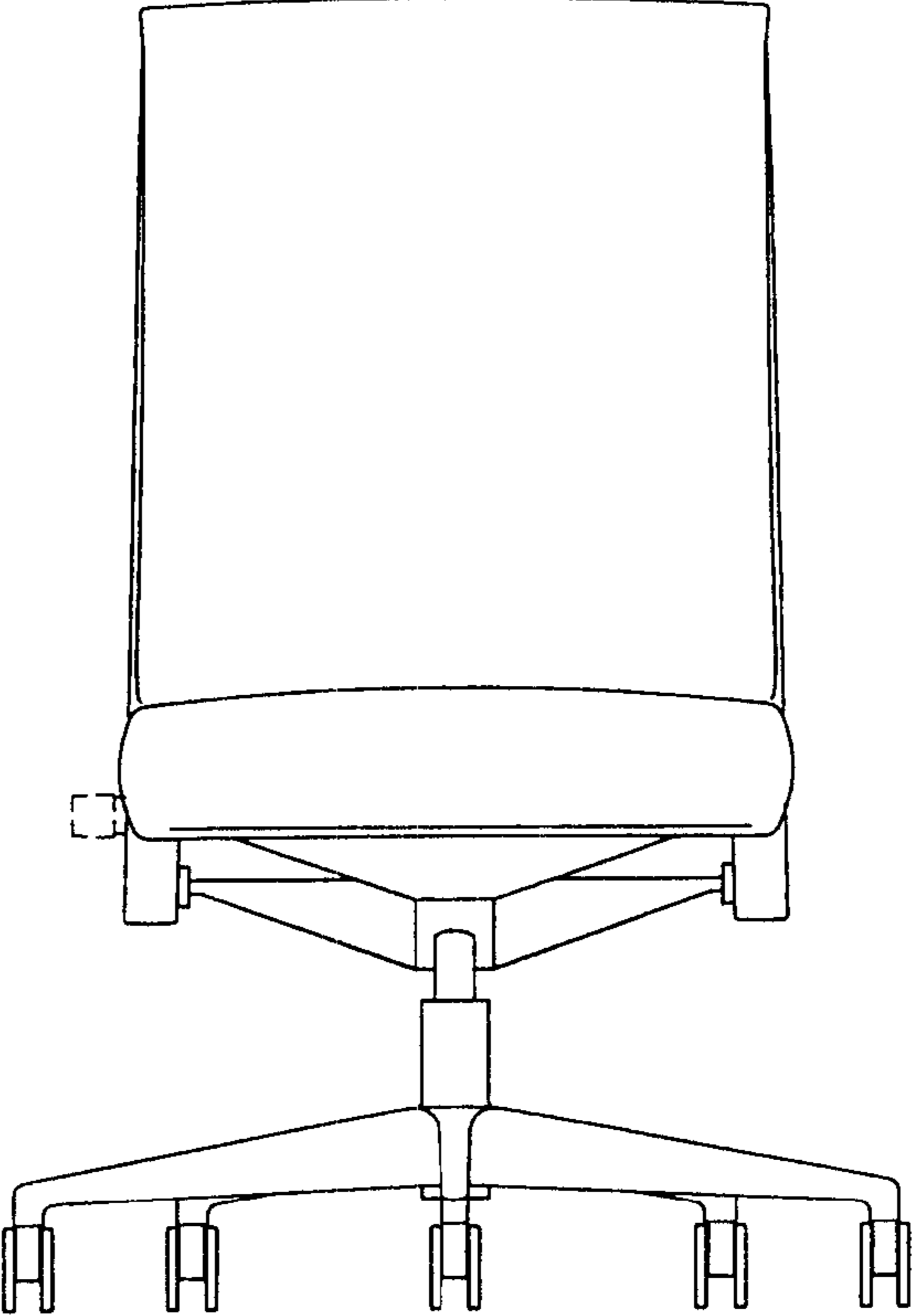


FIG. 4

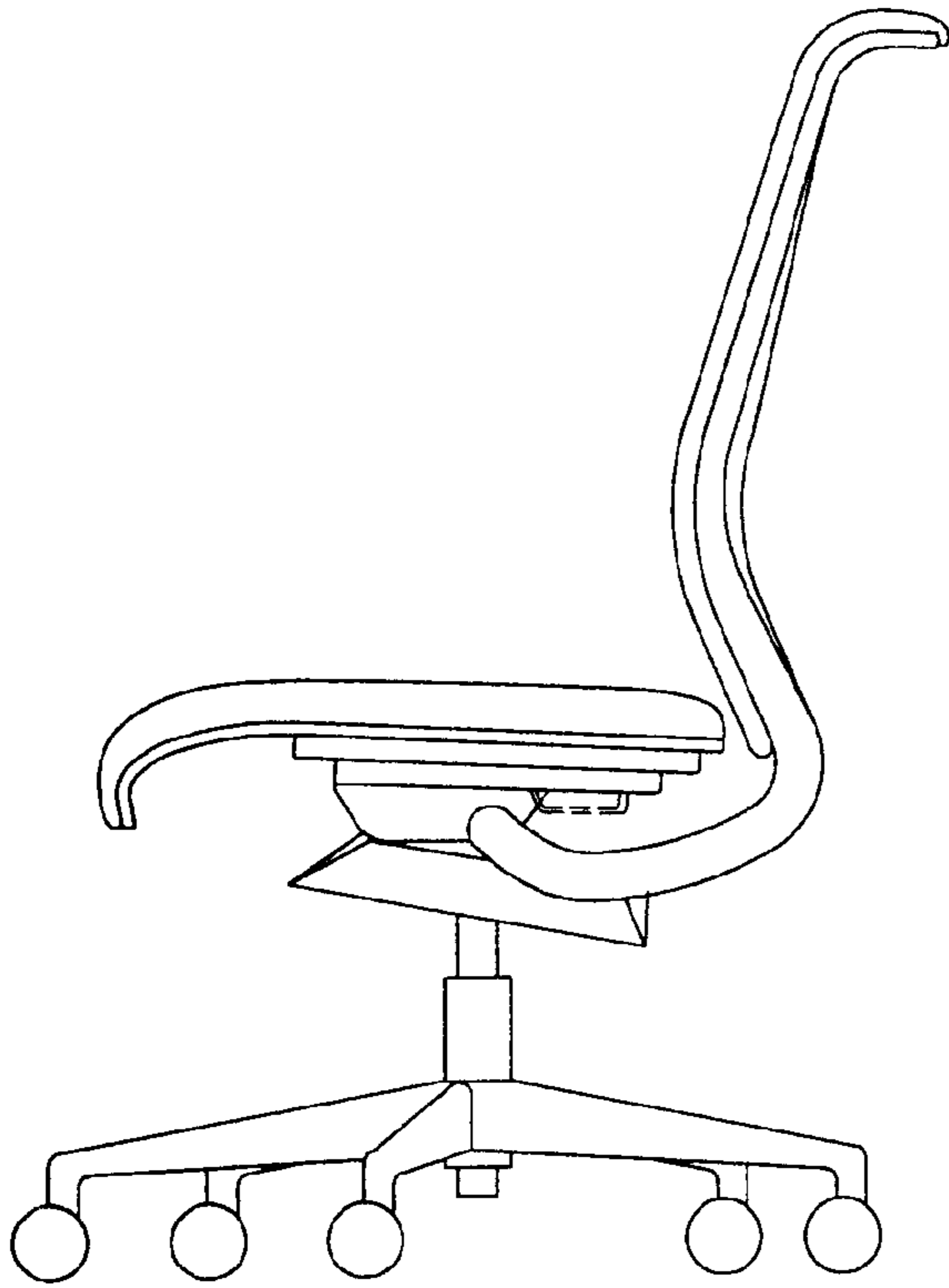


FIG. 5

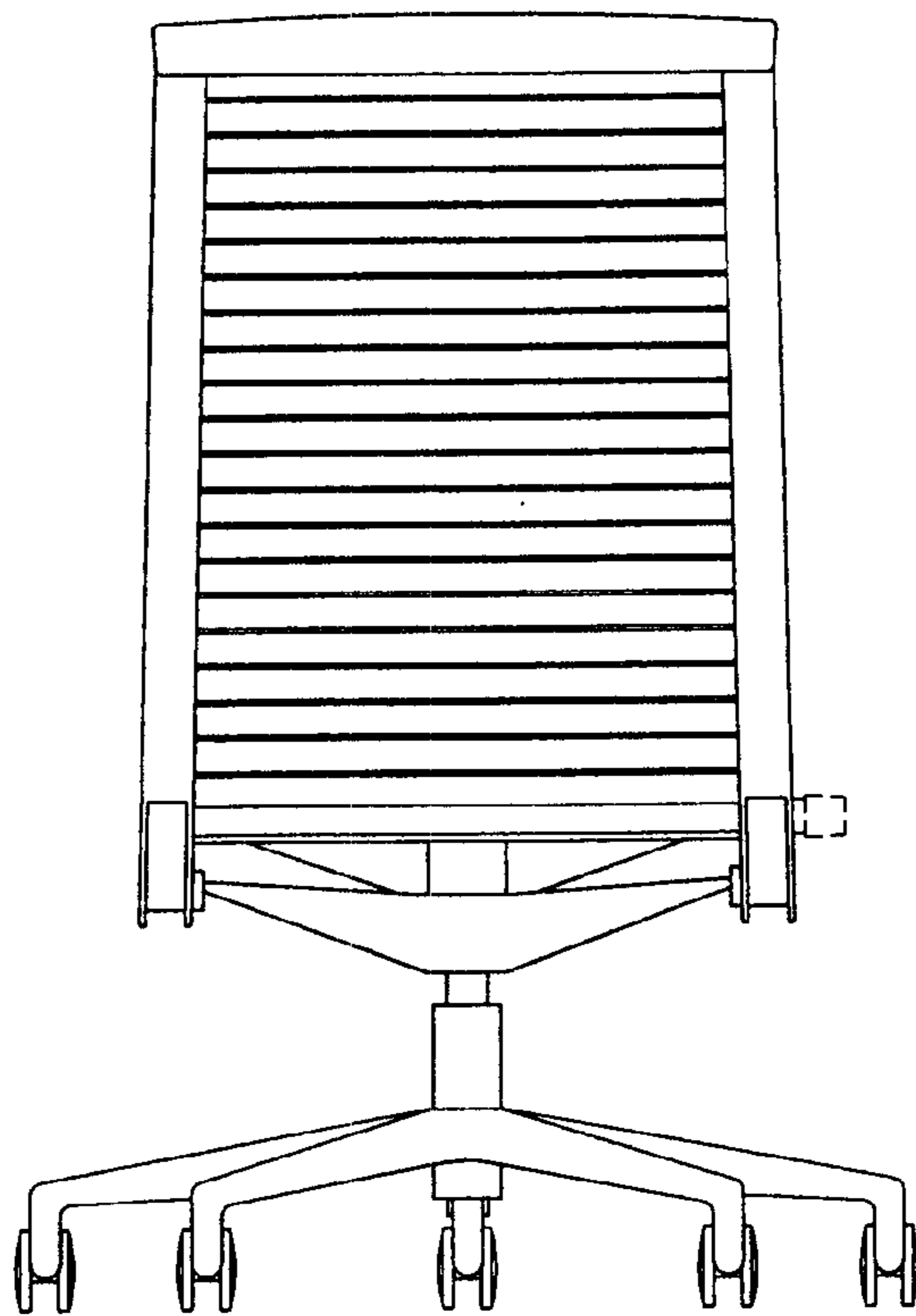


FIG. 6

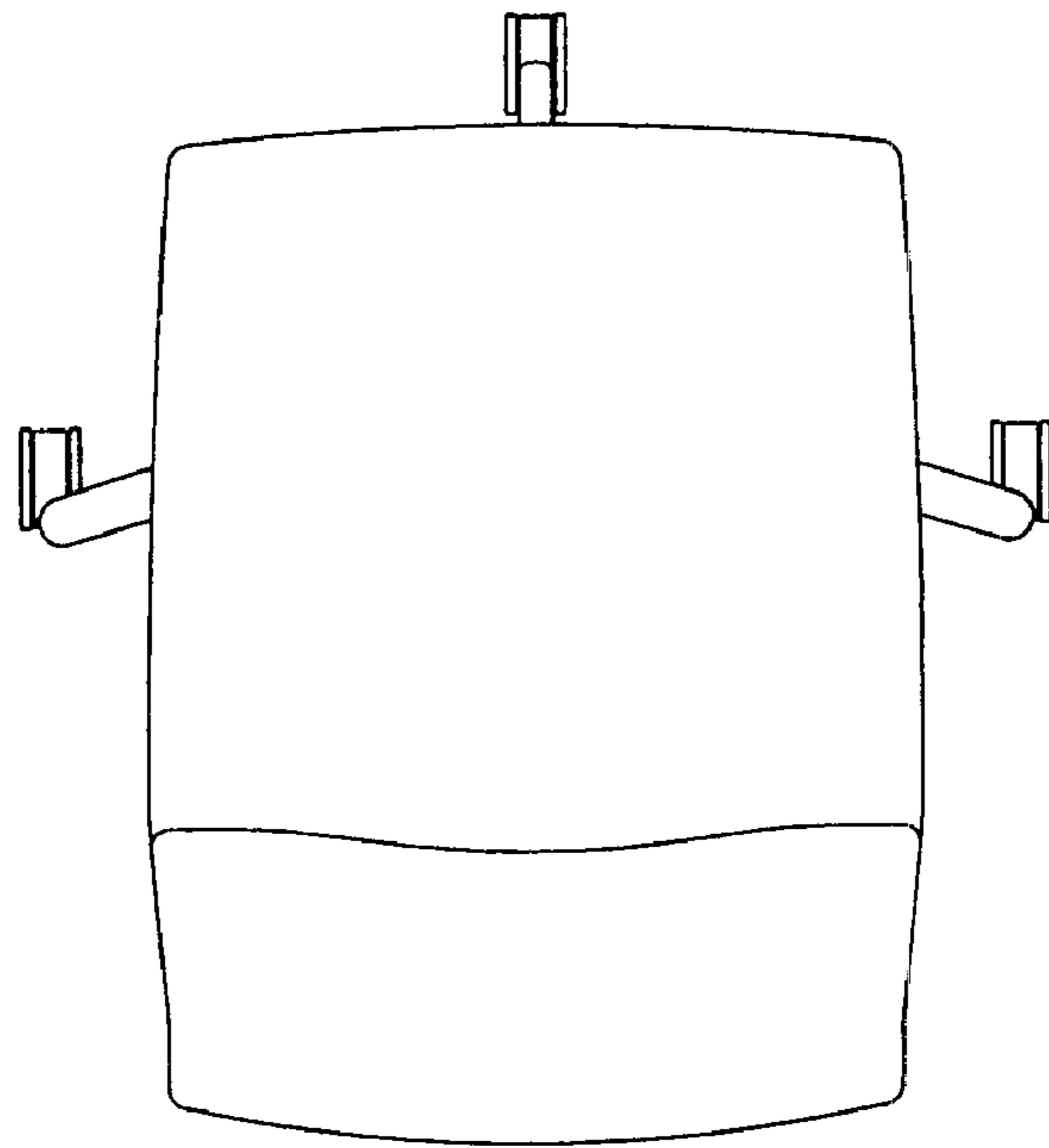


FIG. 7

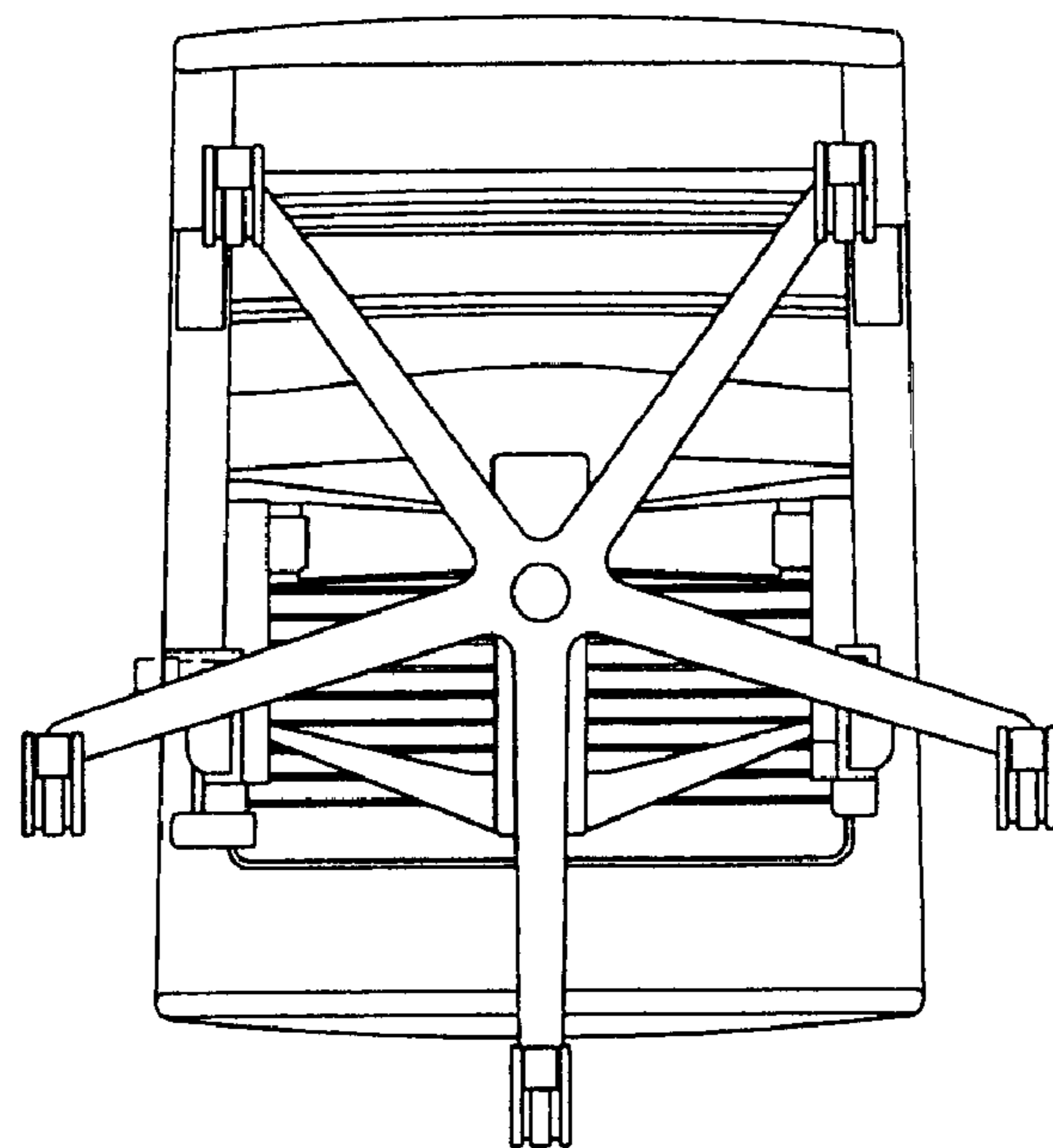


FIG. 8