



US00D509964S

(12) **United States Design Patent** (10) **Patent No.:** **US D509,964 S**
Berti (45) **Date of Patent:** **** Sep. 27, 2005**

(54) **PUSH BROOM**

(75) Inventor: **Enzo Berti**, Venice (IT)

(73) Assignee: **The Libman Company**, Arcola, IL (US)

(**) Term: **14 Years**

(21) Appl. No.: **29/219,208**

(22) Filed: **Dec. 14, 2004**

(51) **LOC (8) Cl.** **04-99**

(52) **U.S. Cl.** **D4/199; D32/50**

(58) **Field of Search** D4/130, 132, 135, D4/138, 199; D52/50, 51; 15/146, 159.1, 160, 171, 175, 176.1, 191.1, 192, 193

(56) **References Cited**

U.S. PATENT DOCUMENTS

D207,049 S	*	2/1967	McCord	D4/130
D211,197 S	*	5/1968	Malmo	D32/50
4,384,383 A	*	5/1983	Bryant	15/159.1
D384,818 S	*	10/1997	Wolfenden	D4/199

* cited by examiner

Primary Examiner—Alan P. Douglas
Assistant Examiner—Lavone D. Tabor
(74) *Attorney, Agent, or Firm*—Banner & Witcoff, Ltd.

(57) **CLAIM**

The ornamental design for a push broom, as shown and described.

DESCRIPTION

FIG. 1 is a perspective view of a push broom showing my new design;

FIG. 2 is an enlarged front view thereof, the rear being a mirror image thereof;

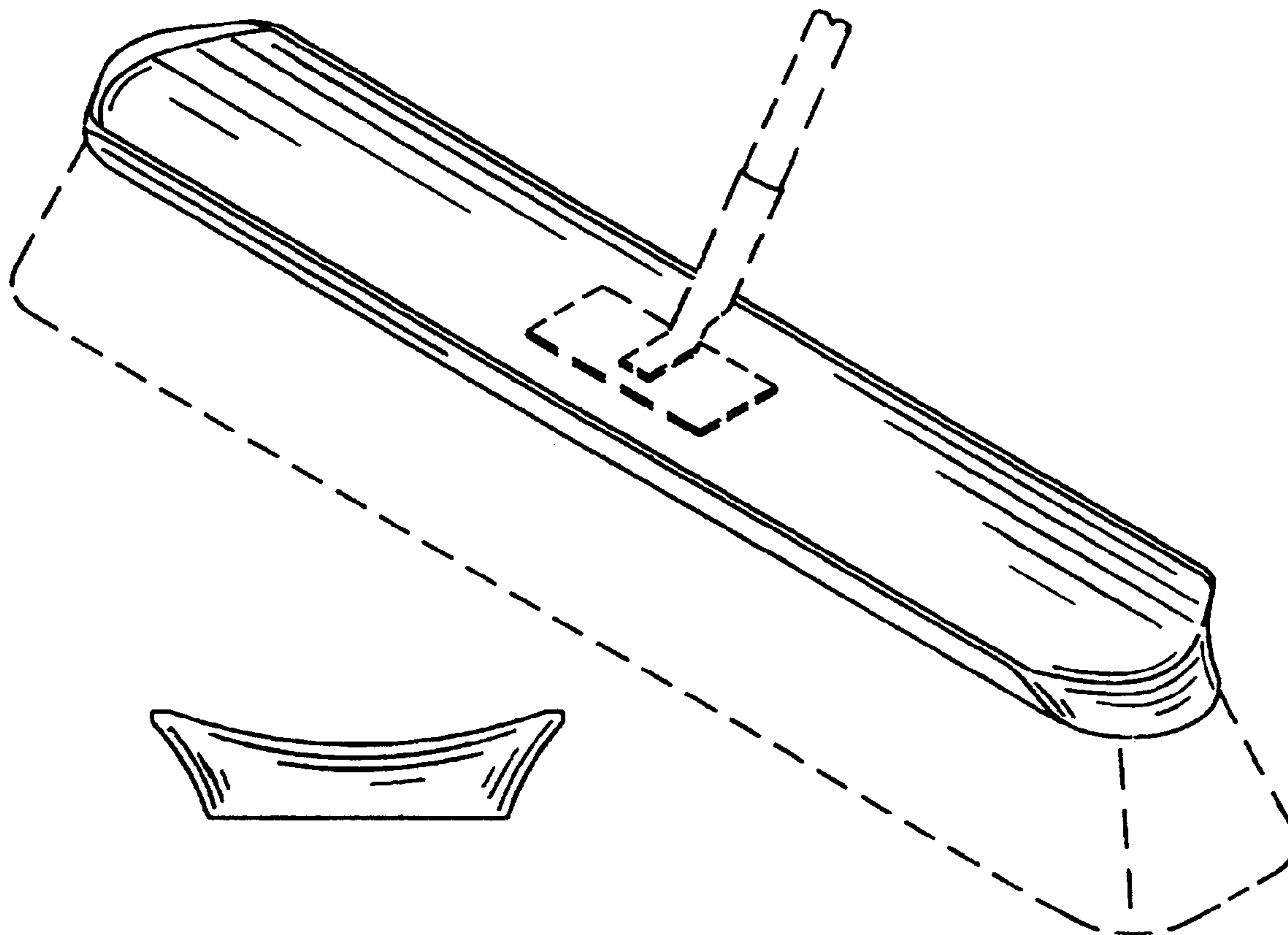
FIG. 3 is an enlarged top view thereof;

FIG. 4 is an enlarged bottom view thereof; and,

FIG. 5 is an enlarged right side view thereof, the left side being a mirror image thereof.

The broken line showing in FIGS. 1, 3 and 4 of the portion of the mop handle, the bracket assembly connecting the handle and broom head, the bristles, the rectangular openings at the top and bottom surfaces of the push broom, and the bottom face of the push broom are for illustrative purposes only and form no part of the claimed design.

1 Claim, 2 Drawing Sheets



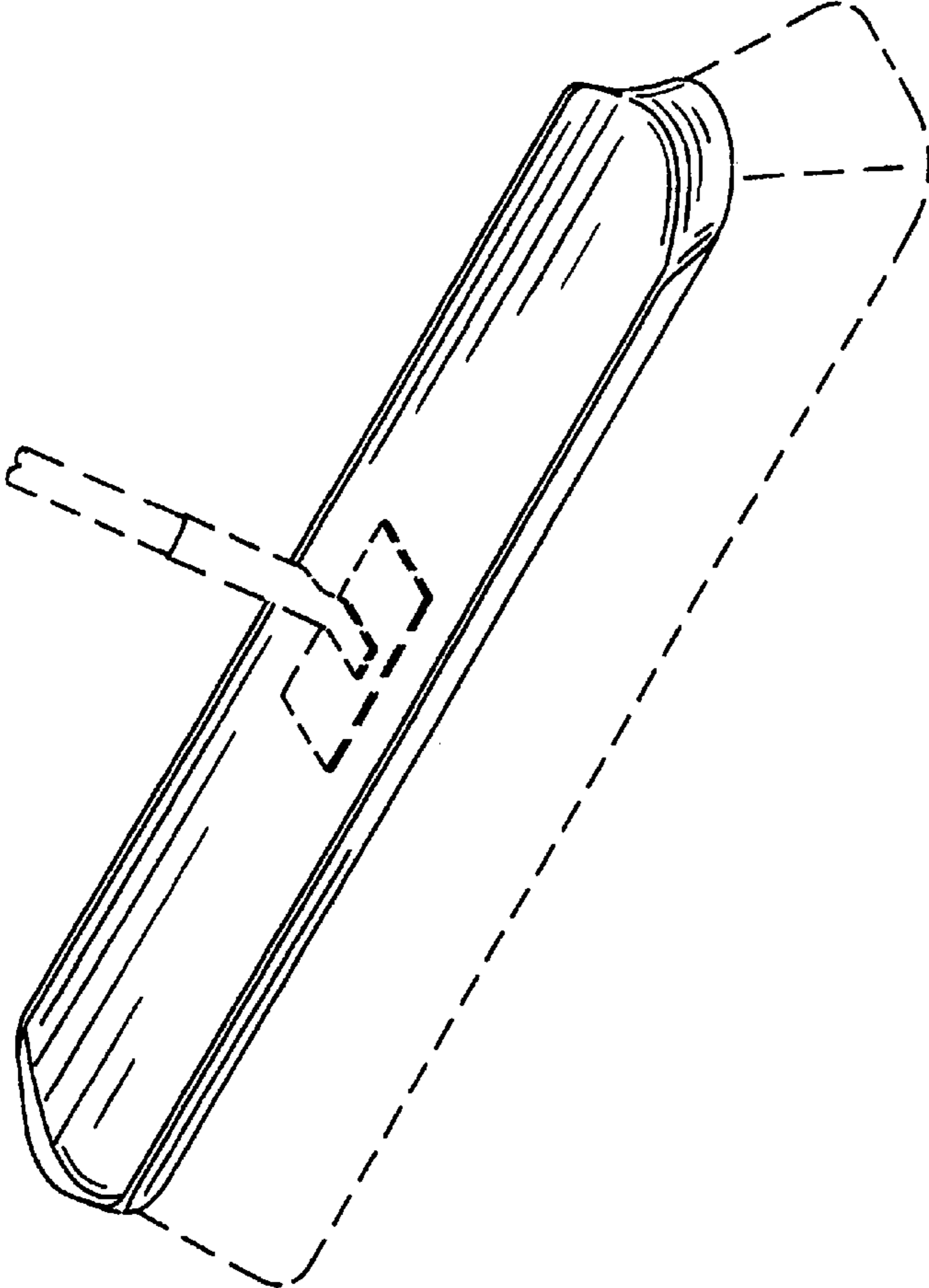


FIG. 1

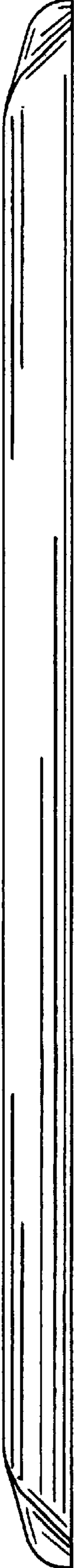


FIG. 2

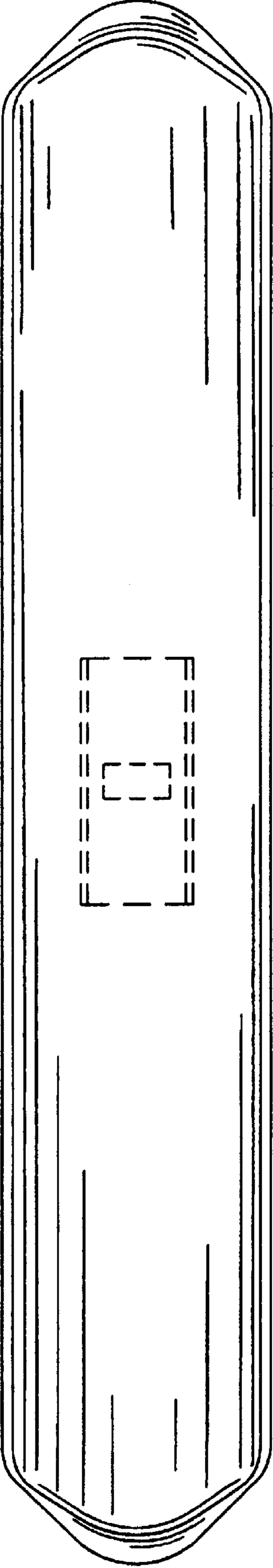


FIG. 3



FIG. 5

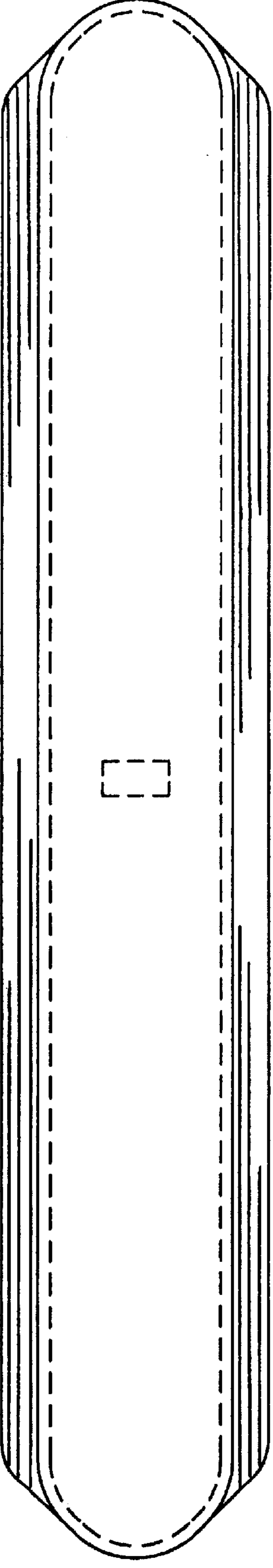


FIG. 4