

US00D509963S

(12) **United States Design Patent**
Hay

(10) **Patent No.:** **US D509,963 S**
(45) **Date of Patent:** **** Sep. 27, 2005**

(54) **BROOM**

JP 11346974 A * 12/1999 A47L/13/38
JP 2000046021 A * 2/2000 F16B/7/18

(75) Inventor: **Christopher James Mccaughan Hay,**
Hong Kong (CN)

* cited by examiner

(73) Assignee: **Hayco Manufacturing Limited,**
Causeway Bay (HK)

Primary Examiner—Alan P. Douglas
Assistant Examiner—Lavone D. Tabor
(74) *Attorney, Agent, or Firm*—Burns, Doane, Swecker &
Mathis, L.L.P.

(**) Term: **14 Years**

(21) Appl. No.: **29/209,030**

(57) **CLAIM**

(22) Filed: **Jul. 12, 2004**

The ornamental design for a “broom,” as shown and described.

(51) **LOC (8) Cl.** **04-01**

(52) **U.S. Cl.** **D4/135; D4/138**

(58) **Field of Search** D4/132, 135, 138,
D4/199; D52/50, 51; 15/143.1, 144.1, 144.3,
144.4, 145, 146, 159.1, 160, 168, 171,
175, 191.1, 192, 193

DESCRIPTION

(56) **References Cited**

U.S. PATENT DOCUMENTS

1,185,732 A * 6/1916 Swayne 15/144.4
1,327,597 A * 1/1920 Greene 15/144.4 X
D363,821 S * 11/1995 Burgess D4/132
2004/0134803 A1 * 7/2004 Michelson et al. 15/144.1 X

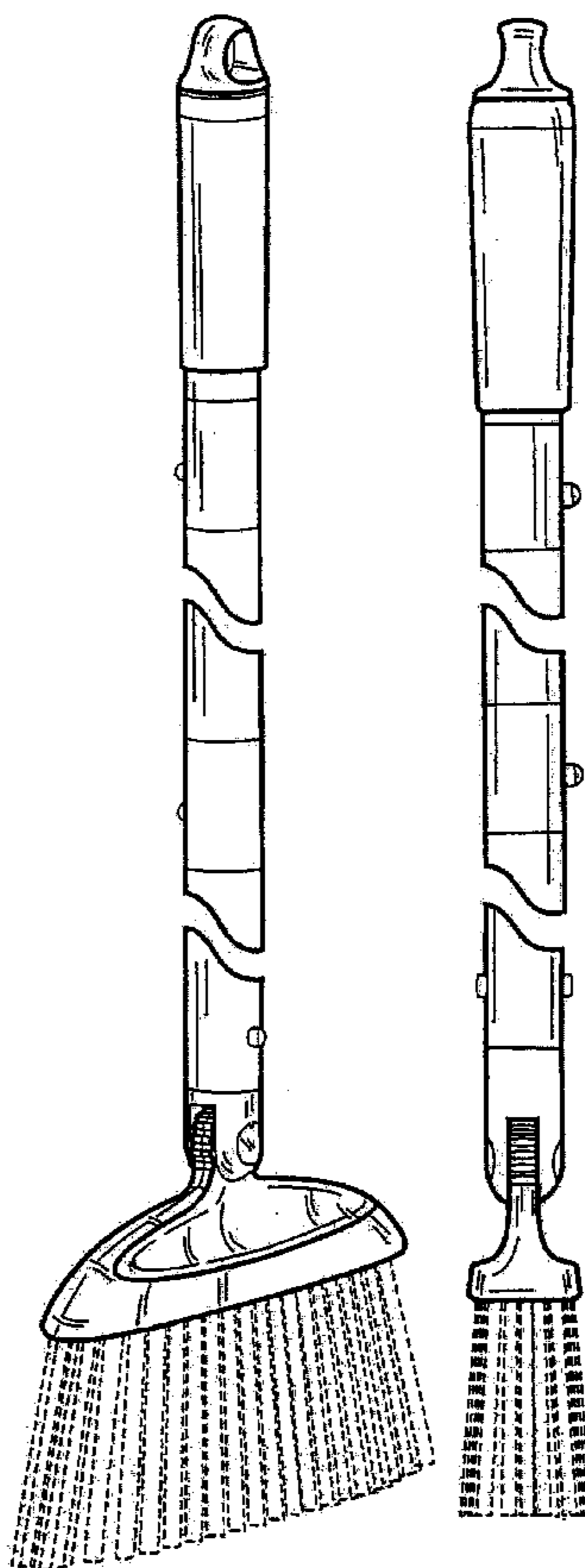
FIG. 1 is a perspective view showing a “broom” incorporating the design;
FIG. 2 is a front view thereof;
FIG. 3 is a rear view thereof;
FIG. 4 is a side view thereof;
FIG. 5 is another side view thereof;
FIG. 6 is a top view thereof; and,
FIG. 7 is a bottom view thereof.

The sections of the handle shown broken away in FIGS. 1–5 indicate that they are of an indeterminate length.

FOREIGN PATENT DOCUMENTS

JP 09010157 A * 1/1997 A47L/13/38

1 Claim, 7 Drawing Sheets



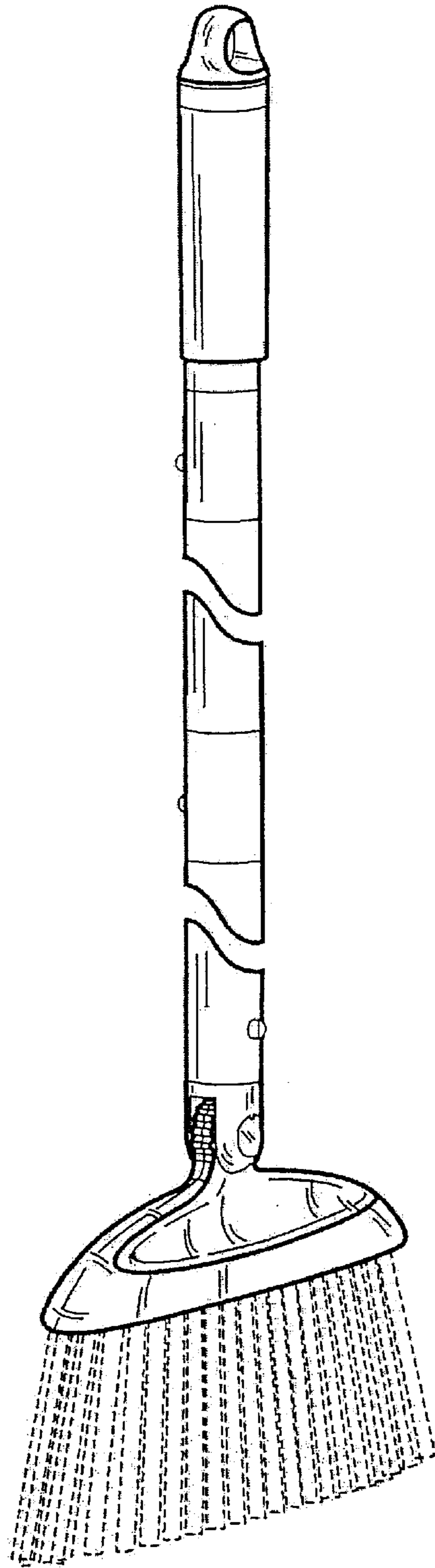


FIG. 1

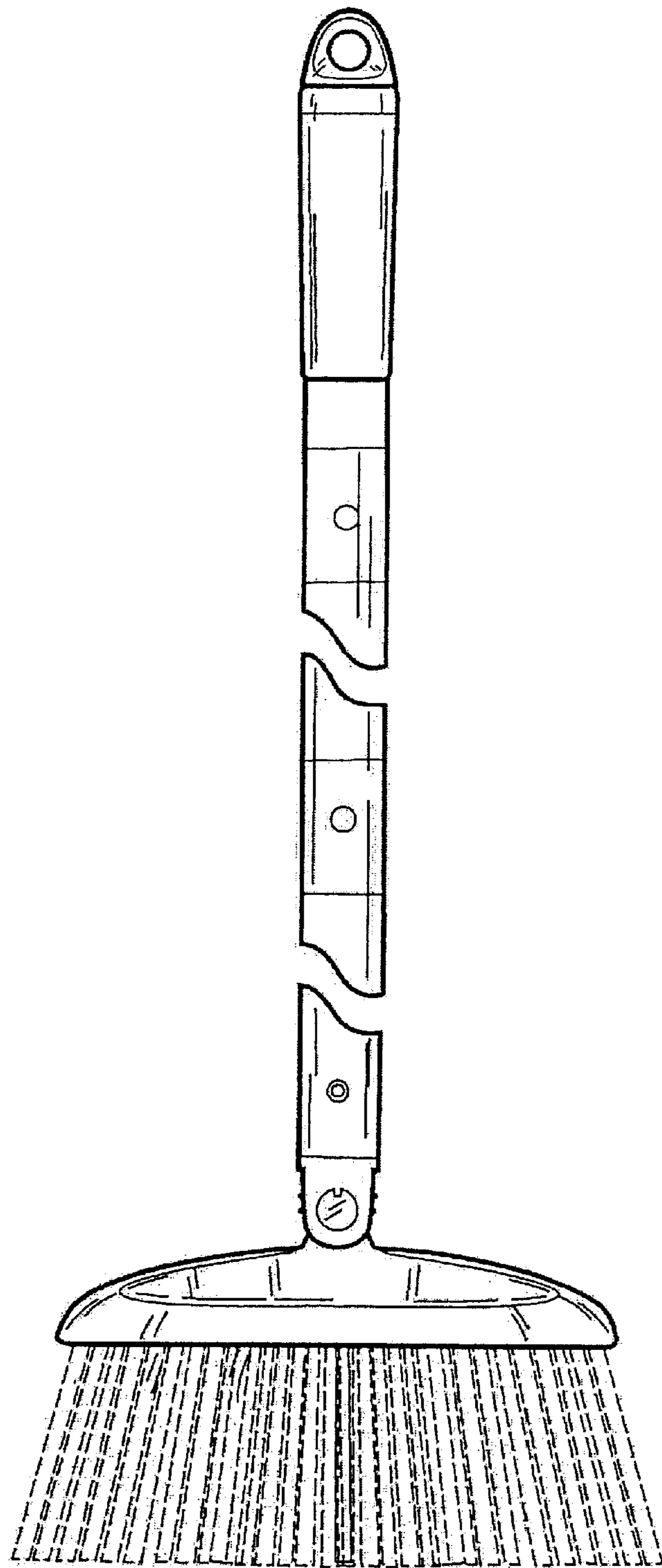


FIG. 2

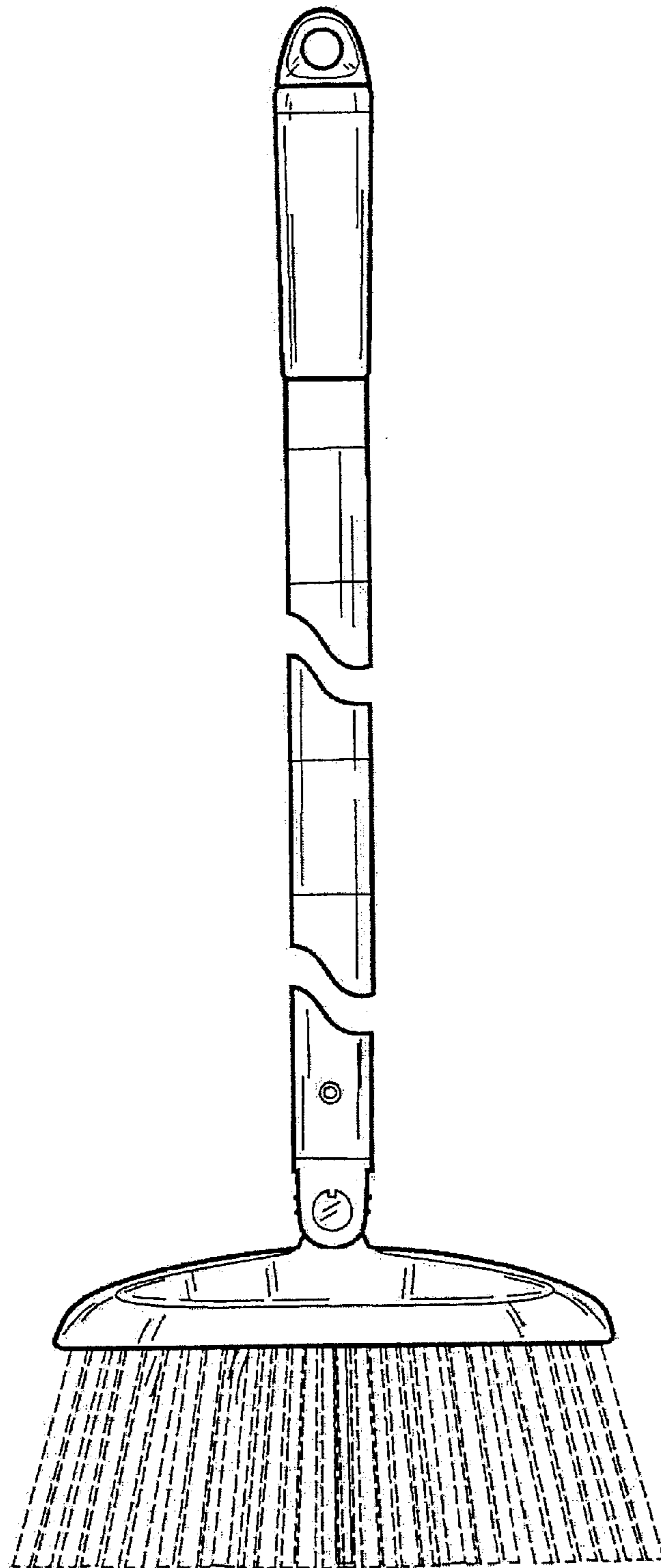


FIG. 3

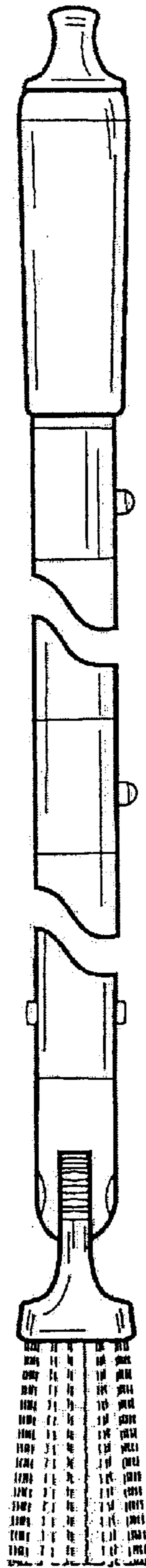


FIG. 4

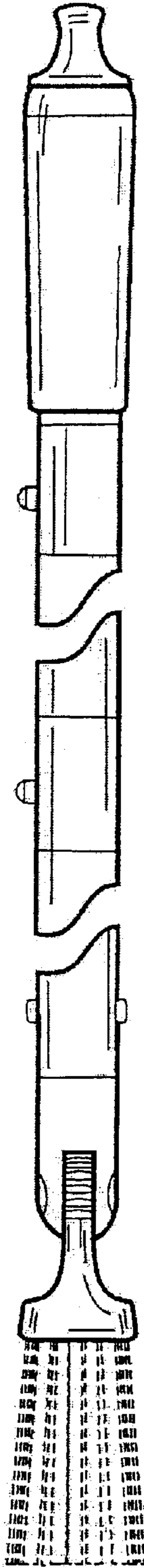


FIG. 5

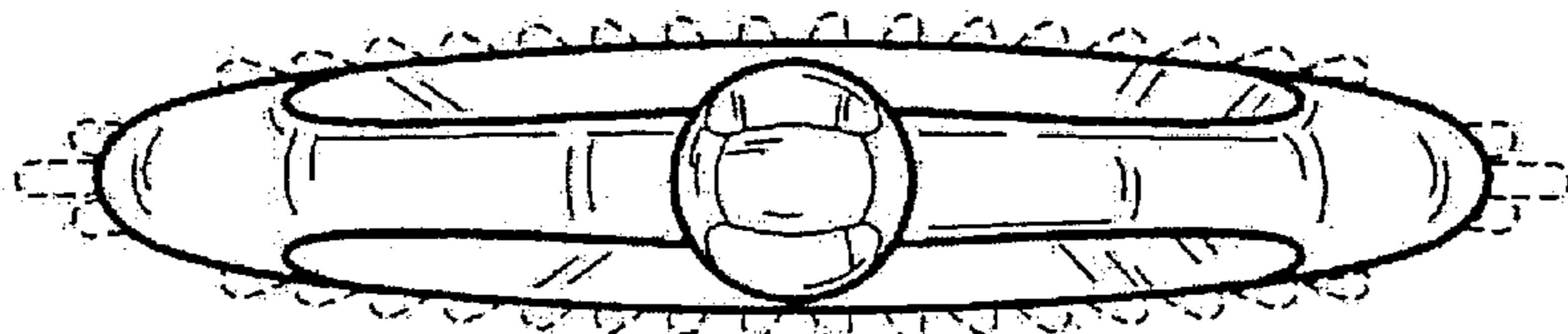


FIG. 6

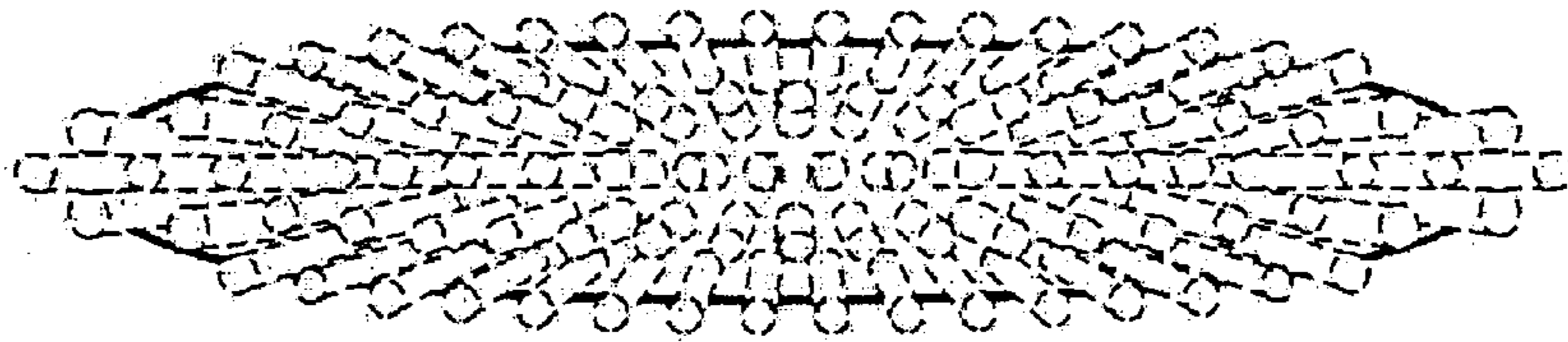


FIG. 7