

US00D509960S

(12) **United States Design Patent**
Yeung

(10) **Patent No.:** **US D509,960 S**

(45) **Date of Patent:** **** Sep. 27, 2005**

(54) **CARRYING CASE FOR SPY KITS**

(75) Inventor: **Wa-Sang Yeung**, Kowloon (CN)

(73) Assignee: **Eastcolight (Hong Kong) Limited**,
Kowloon (CN)

(**) Term: **14 Years**

(21) Appl. No.: **29/206,052**

(22) Filed: **May 25, 2004**

(51) **LOC (8) Cl.** **03-01**

(52) **U.S. Cl.** **D3/294; D3/282; D3/281**

(58) **Field of Search** **D3/201, 204, 273,**
D3/294, 281, 282; D9/423, 424; 206/315.1,
349, 373; 312/902; 190/110, 109

(56) **References Cited**

U.S. PATENT DOCUMENTS

D349,240 S	*	8/1994	Booten	D9/422
D352,525 S	*	11/1994	Coe	D19/76
D408,625 S	*	4/1999	Barker	D3/203.1
D449,931 S	*	11/2001	Snider	D3/294
D477,714 S	*	7/2003	Cunningham et al.	D3/273
D479,401 S	*	9/2003	Claypool	D3/294
D484,682 S	*	1/2004	Sylvan	D3/204

* cited by examiner

Primary Examiner—Philip S. Hyder

(74) *Attorney, Agent, or Firm*—Alix, Yale & Ristas, LLP

(57) **CLAIM**

The ornamental design for a carrying case for spy kits, as shown and described.

DESCRIPTION

FIG. 1 is a front perspective view of a carrying case for spy kits showing my new design;

FIG. 2 is a front elevational view thereof;

FIG. 3 is a top plan view thereof;

FIG. 4 is a left side elevational view thereof;

FIG. 5 is a right side elevational view thereof;

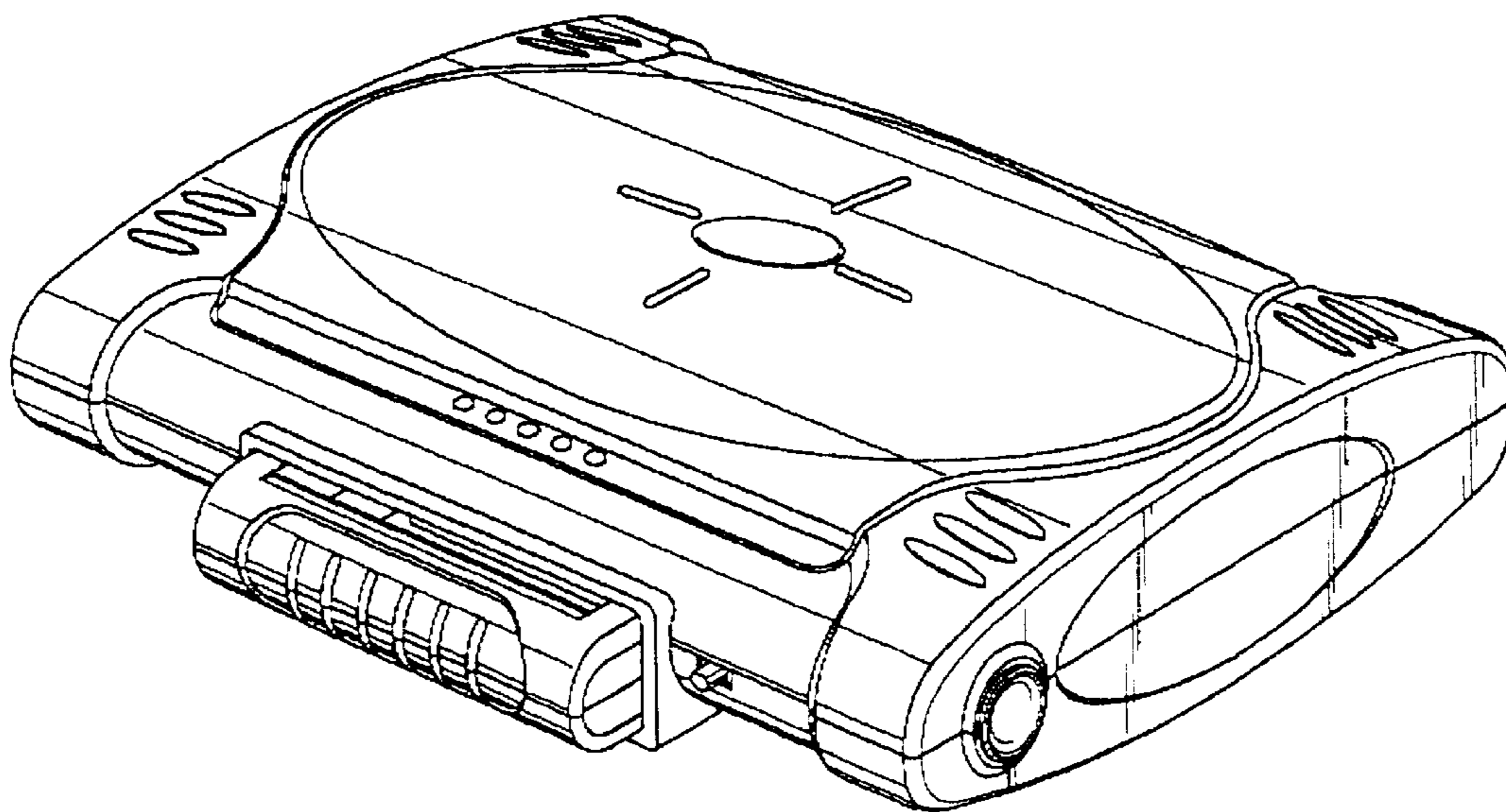
FIG. 6 is a rear elevational view thereof;

FIG. 7 is a bottom plan view thereof; and,

FIG. 8 is a front perspective view thereof, wherein the lid is in the open position and the handle is in the extended position.

The broken line showing of the interior structure in FIG. 8 is for illustrative purposes only and forms no part of the claimed design.

1 Claim, 5 Drawing Sheets



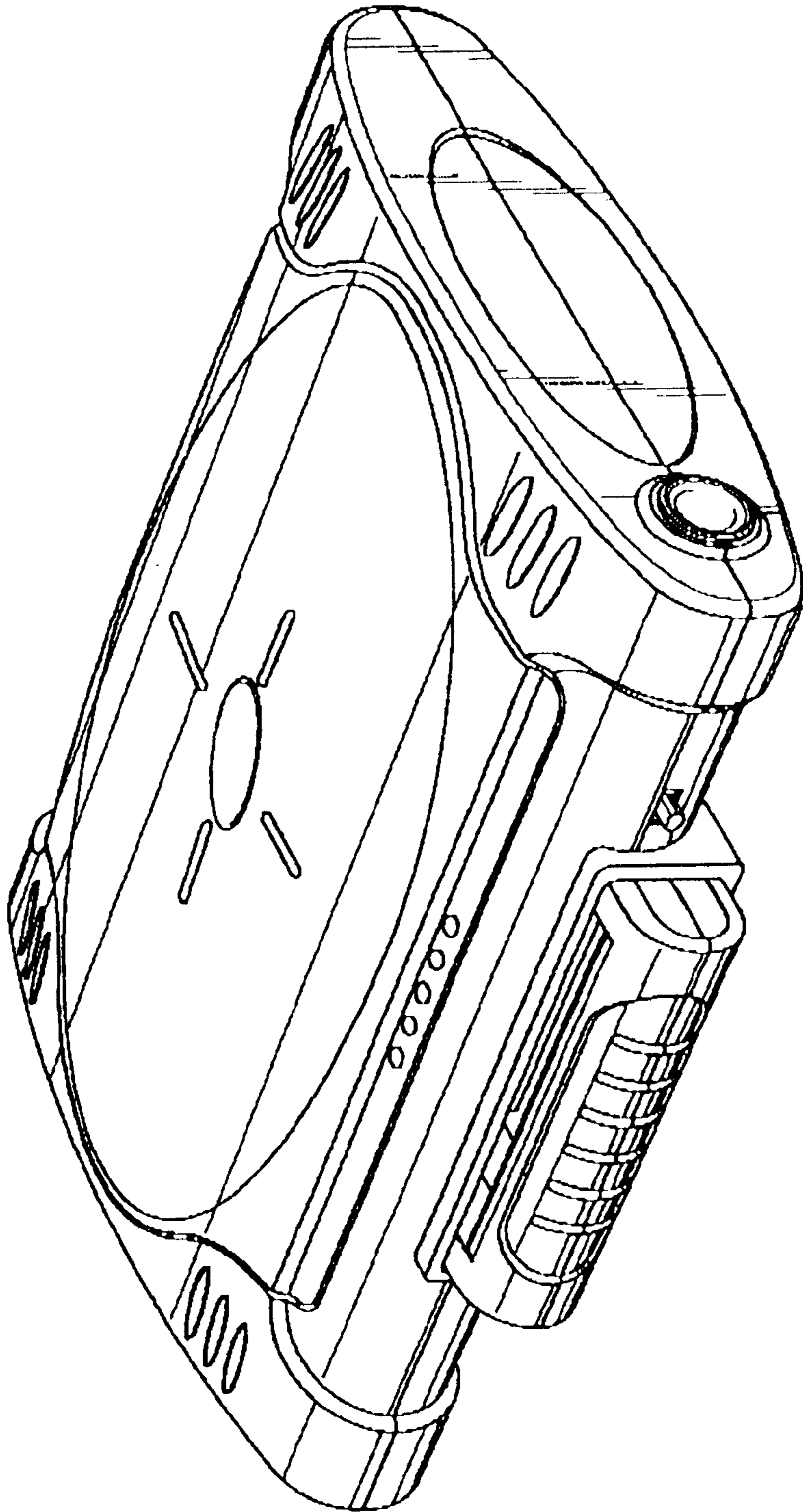


FIG. 1

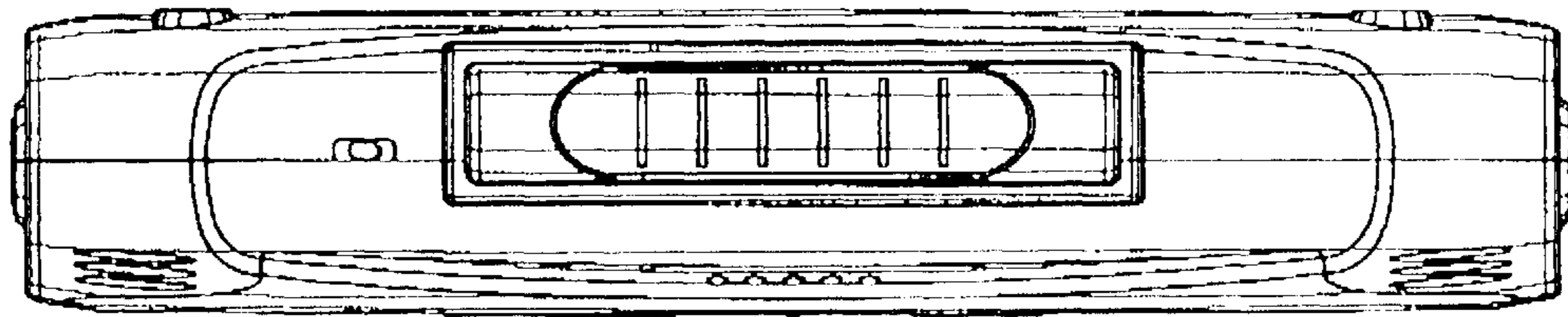


FIG. 3

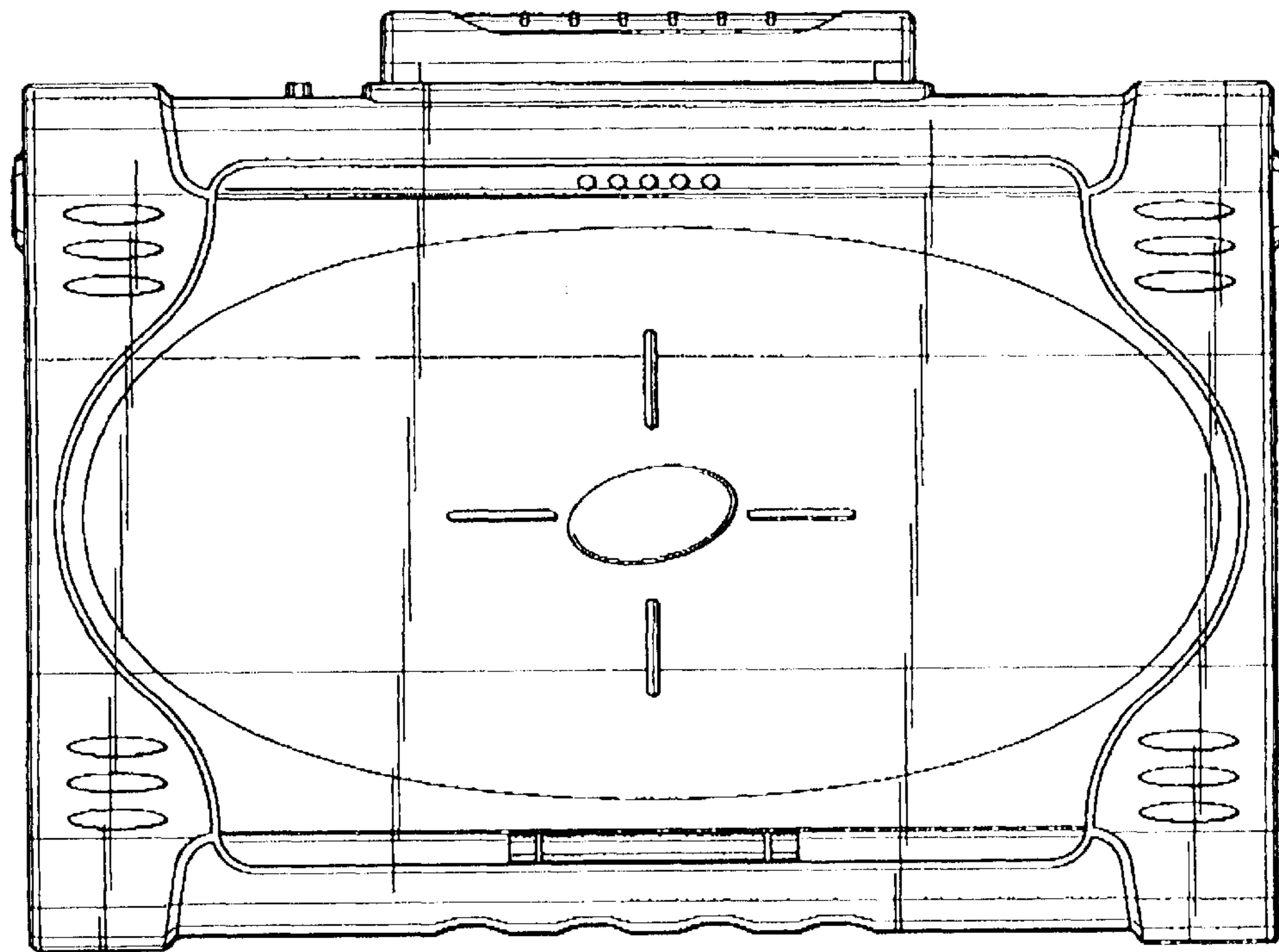


FIG. 2

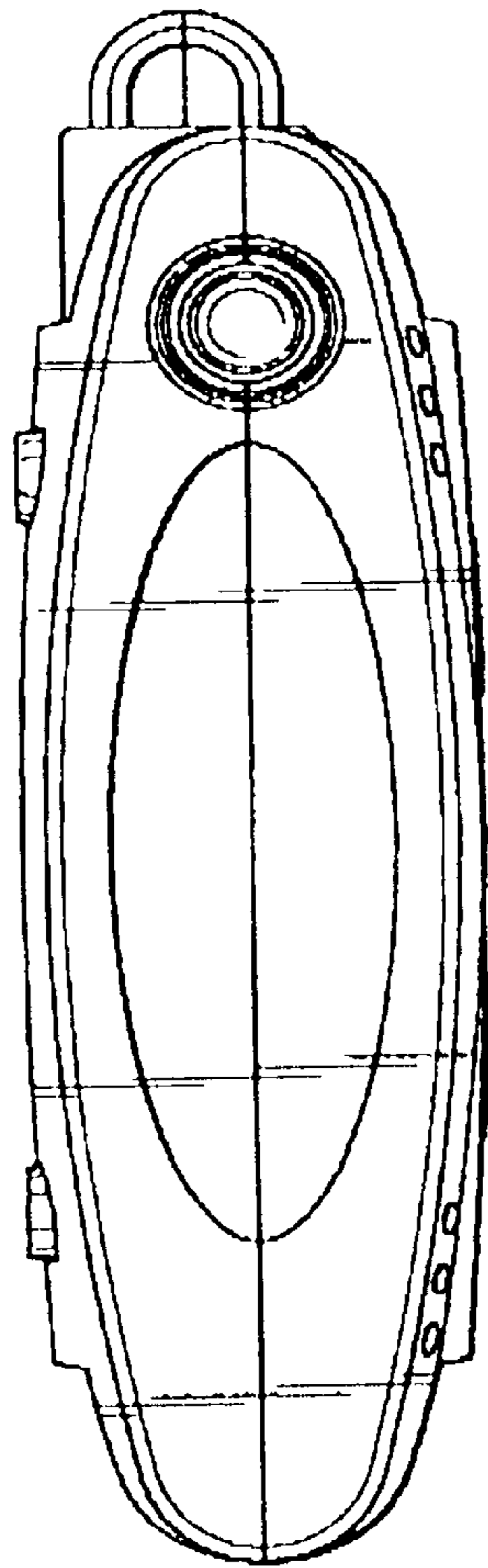


FIG. 4

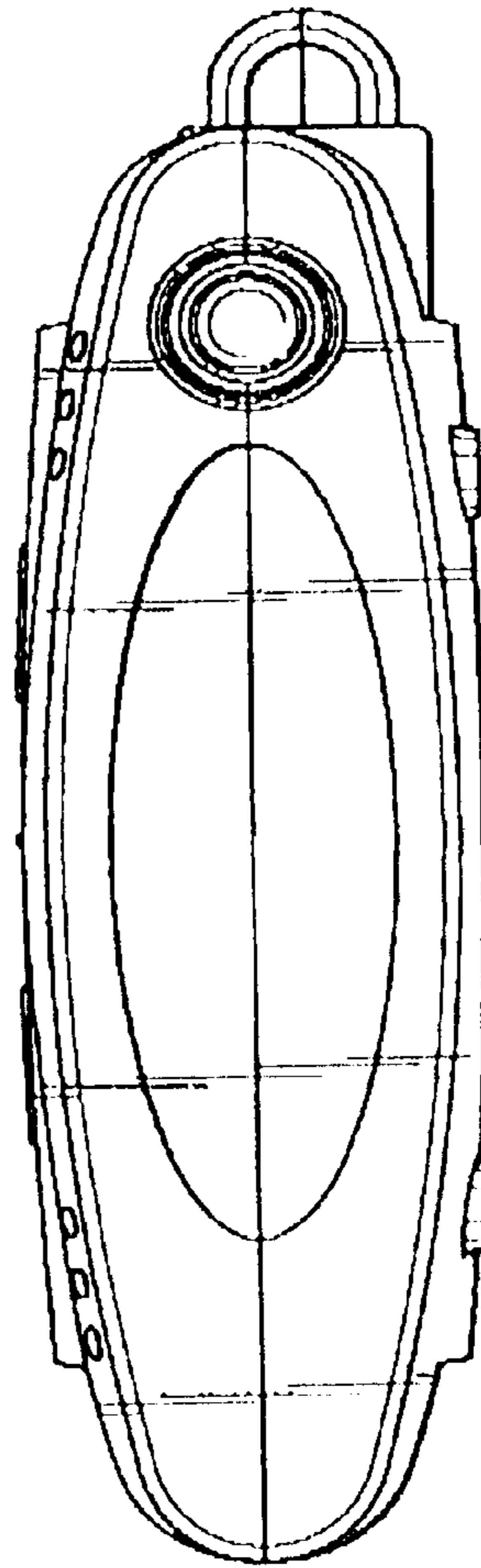


FIG. 5

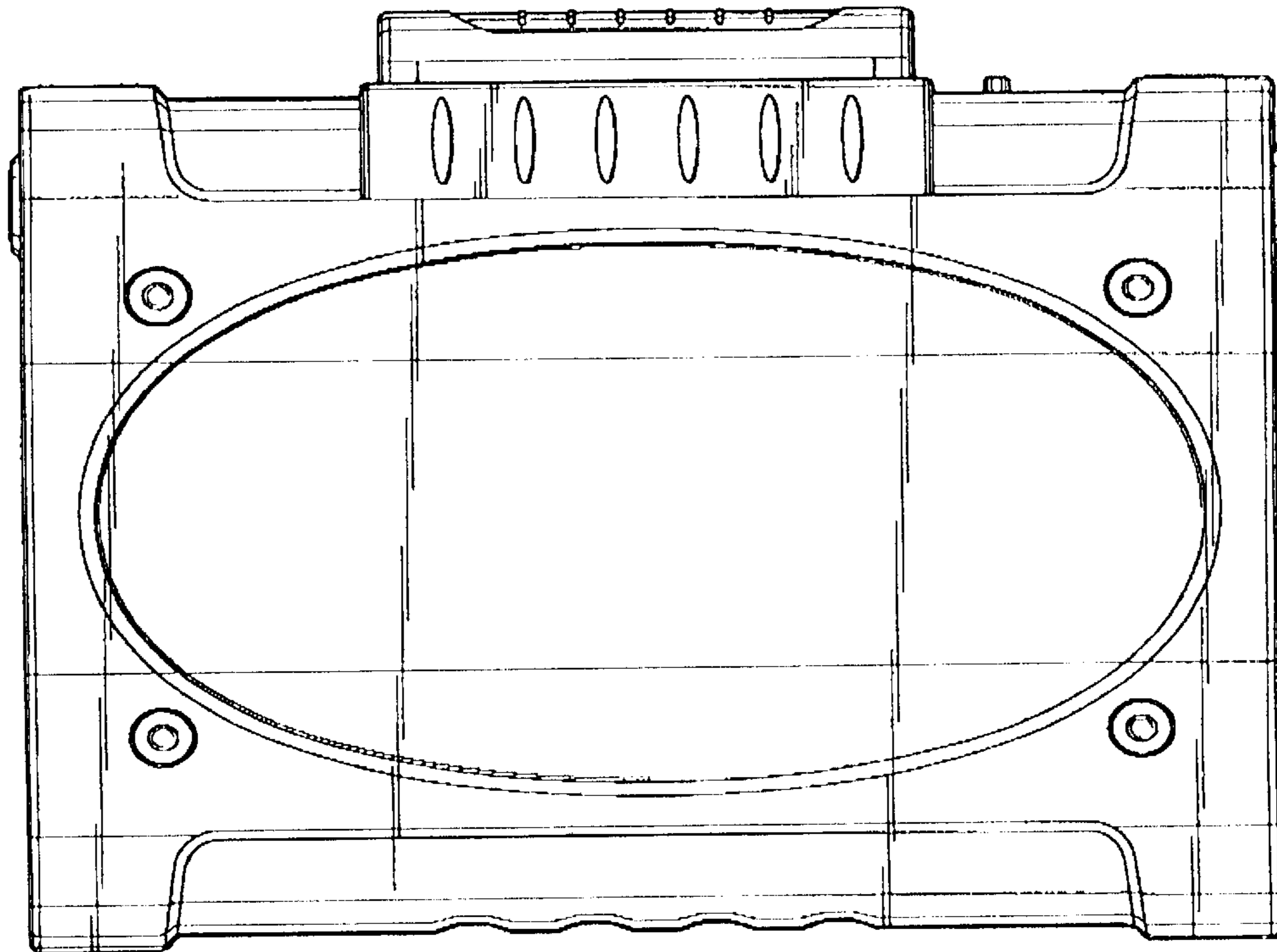


FIG. 6

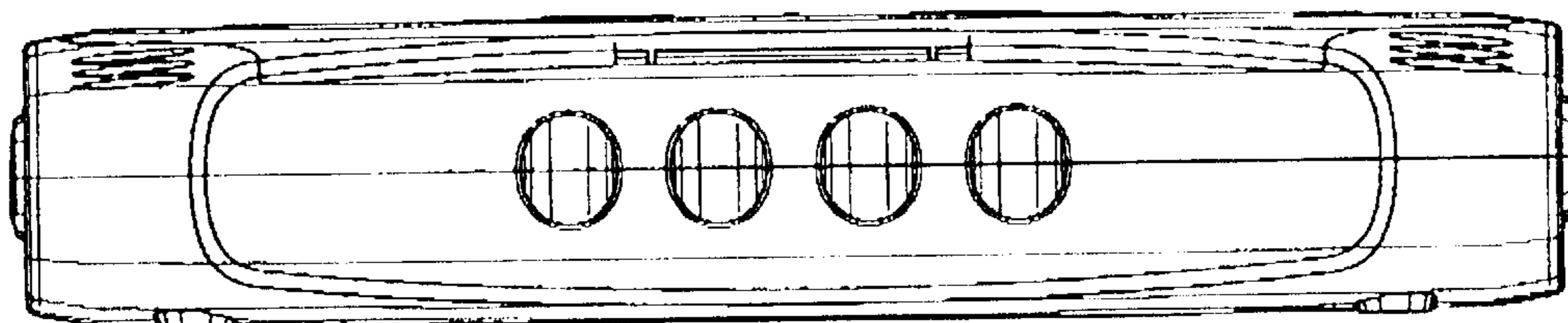


FIG. 7

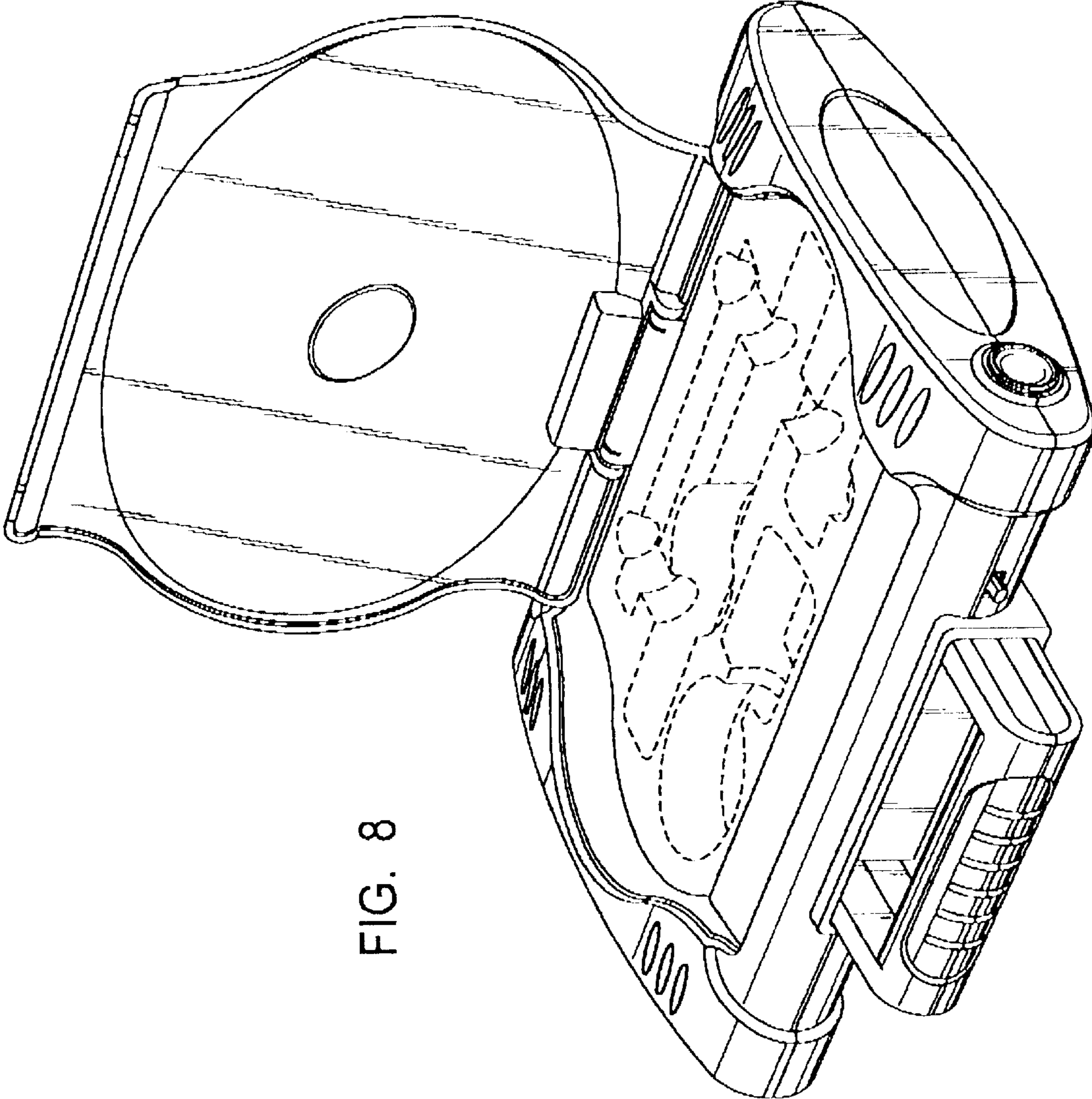


FIG. 8