

US00D509959S

(12) **United States Design Patent**
Nykoluk

(10) **Patent No.:** **US D509,959 S**

(45) **Date of Patent:** **** Sep. 27, 2005**

(54) **DUFFLE BAG**

(75) **Inventor:** **Cory O. Nykoluk, Ballwin, MO (US)**

(73) **Assignee:** **CERF Bros. Bag Co., Earth City, MO (US)**

(**) **Term:** **14 Years**

(21) **Appl. No.:** **29/196,530**

(22) **Filed:** **Dec. 30, 2003**

(51) **LOC (8) Cl.** **03-01**

(52) **U.S. Cl.** **D3/289; D3/301**

(58) **Field of Search** **D3/273, 276, 279, D3/283, 285, 287, 288, 289; 190/100, 110, 109, 111, 112, 113; 150/117; 383/110**

(56) **References Cited**

U.S. PATENT DOCUMENTS

D281,646 S	*	12/1985	Bomes et al.	D3/286
D281,648 S	*	12/1985	Bomes et al.	D3/287
D281,649 S	*	12/1985	Bomes et al.	D3/287
D284,425 S	*	7/1986	Allen	D3/287
4,773,515 A	*	9/1988	Kotkins, Jr.	190/103
4,805,748 A	*	2/1989	Gerch	190/103
4,805,749 A	*	2/1989	Gerch	190/111
D317,081 S	*	5/1991	King	D3/287
5,427,453 A	*	6/1995	Cloessner	383/38

D361,662 S	*	8/1995	King et al.	D3/276
D371,907 S	*	7/1996	Cyr et al.	D3/287
D481,540 S	*	11/2003	Van Himbeek	D3/289

* cited by examiner

Primary Examiner—Philip S. Hyder

(74) *Attorney, Agent, or Firm*—Polster, Lieder, Woodruff & Lucchesi, L.C.

(57) **CLAIM**

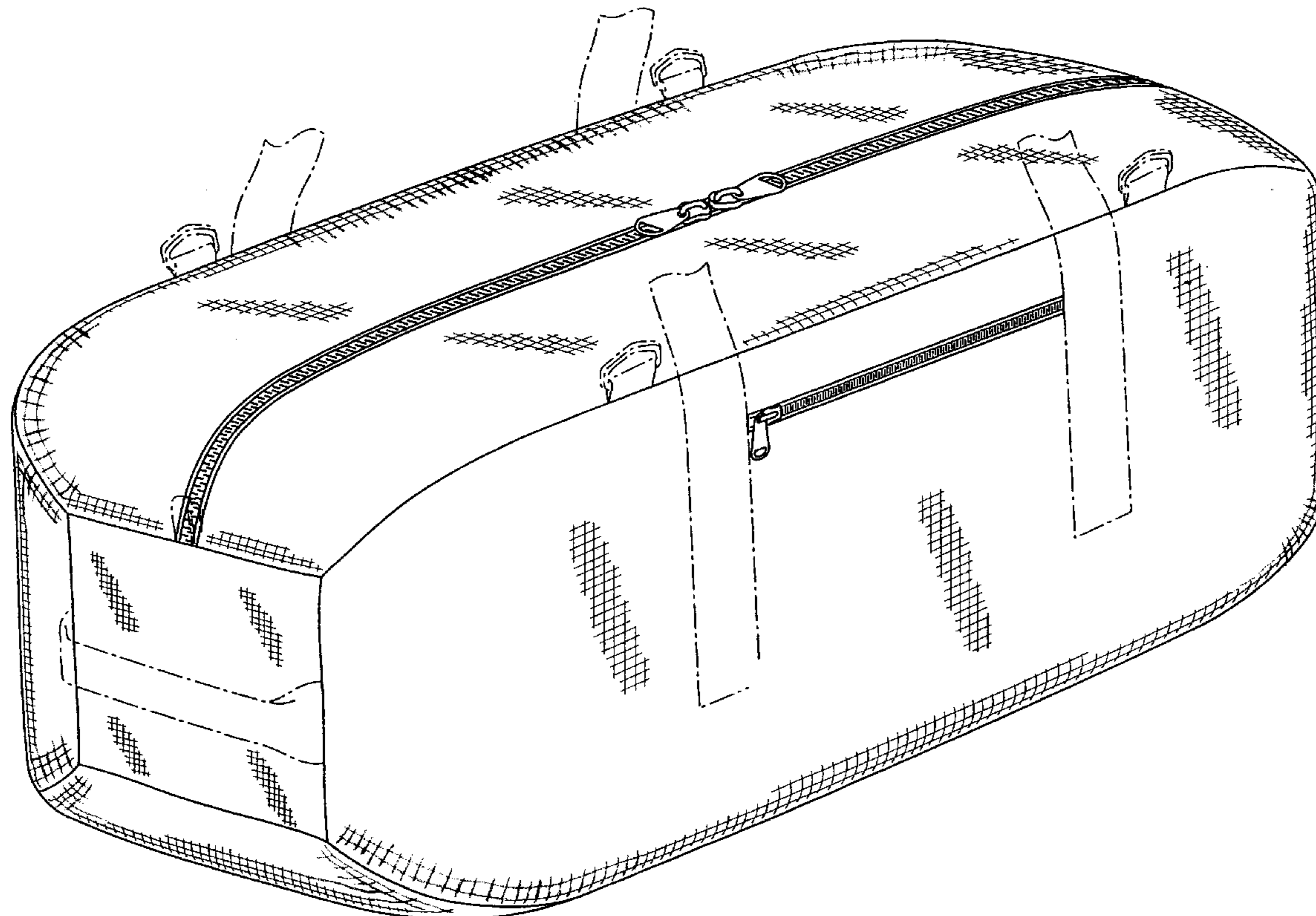
The ornamental design for a duffle bag, as shown and described.

DESCRIPTION

FIG. 1 is a perspective view of the present invention; FIG. 2 is a top view of the present invention; FIG. 3 is a right side view of the present invention; FIG. 4 is a bottom view of the present invention; FIG. 5 is a left side view of the present invention; and, FIG. 6 is an end view of the duffle bag of the present invention.

The broken line portions of the disclosure are for illustrative purposes only and form no part of the claimed design. For convenience of illustration, the patches of cross hatching represent a texture that continues throughout the entire surface of the duffel bag.

1 Claim, 6 Drawing Sheets



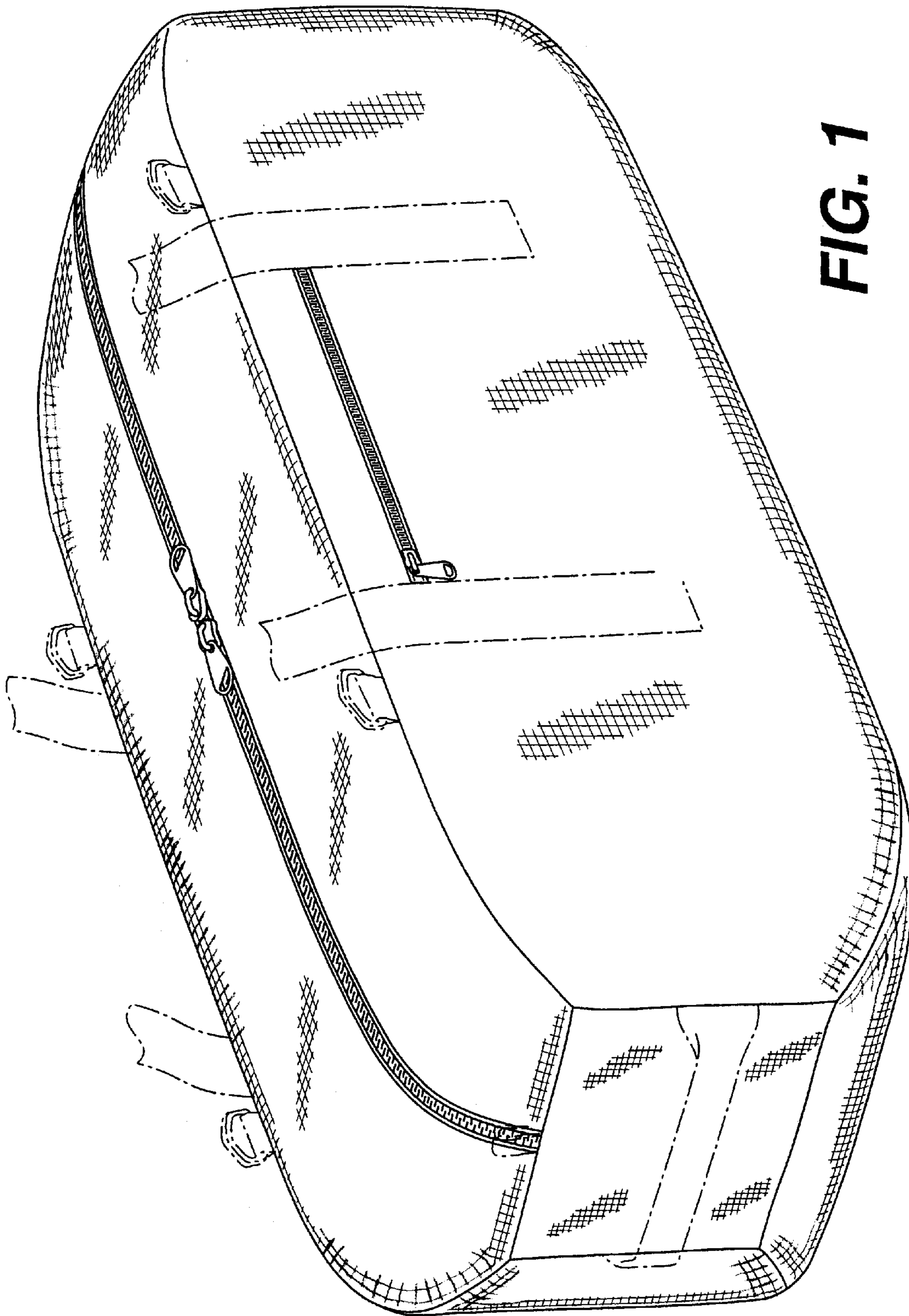


FIG. 1

FIG. 2

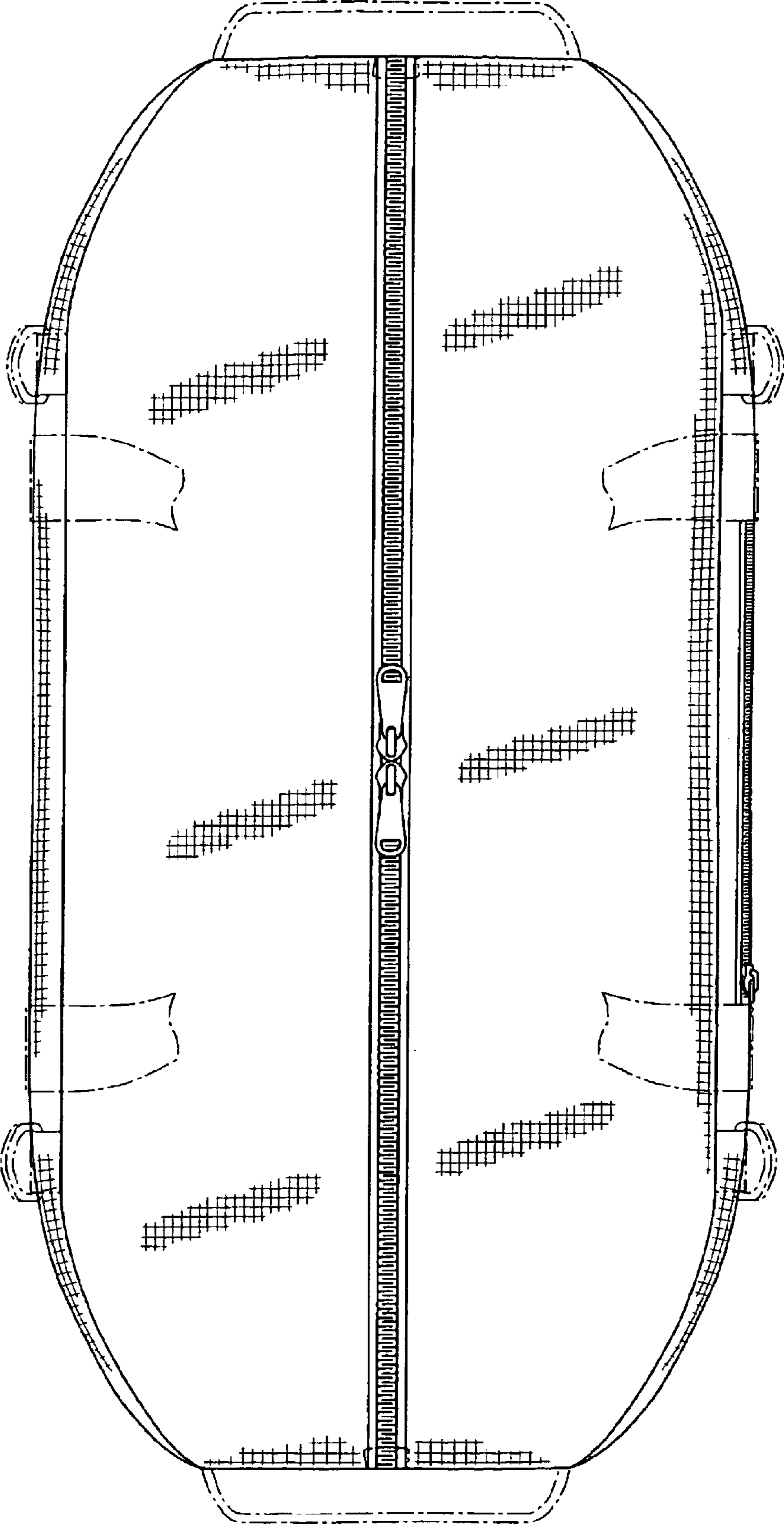


FIG. 3

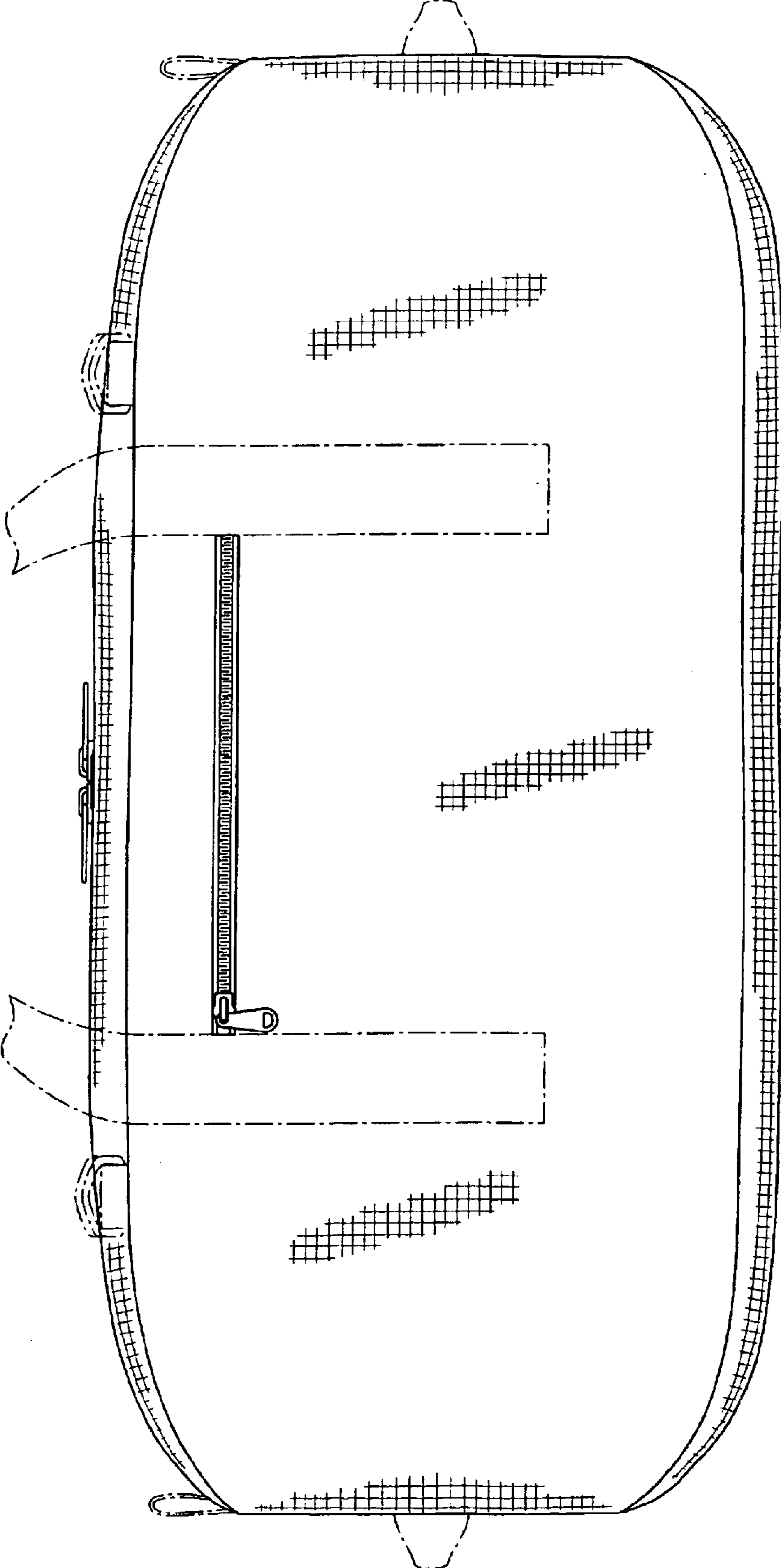


FIG. 4

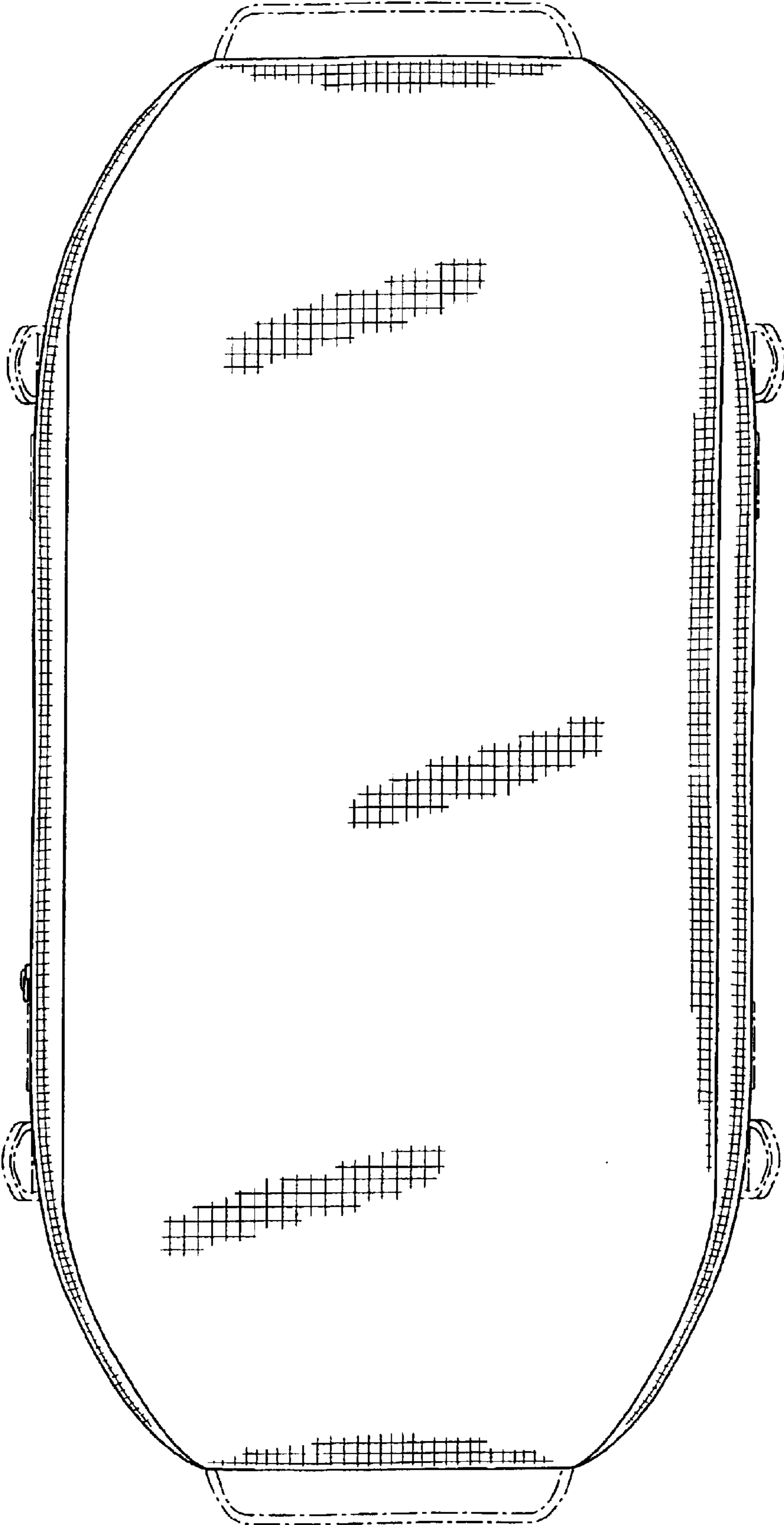


FIG. 5

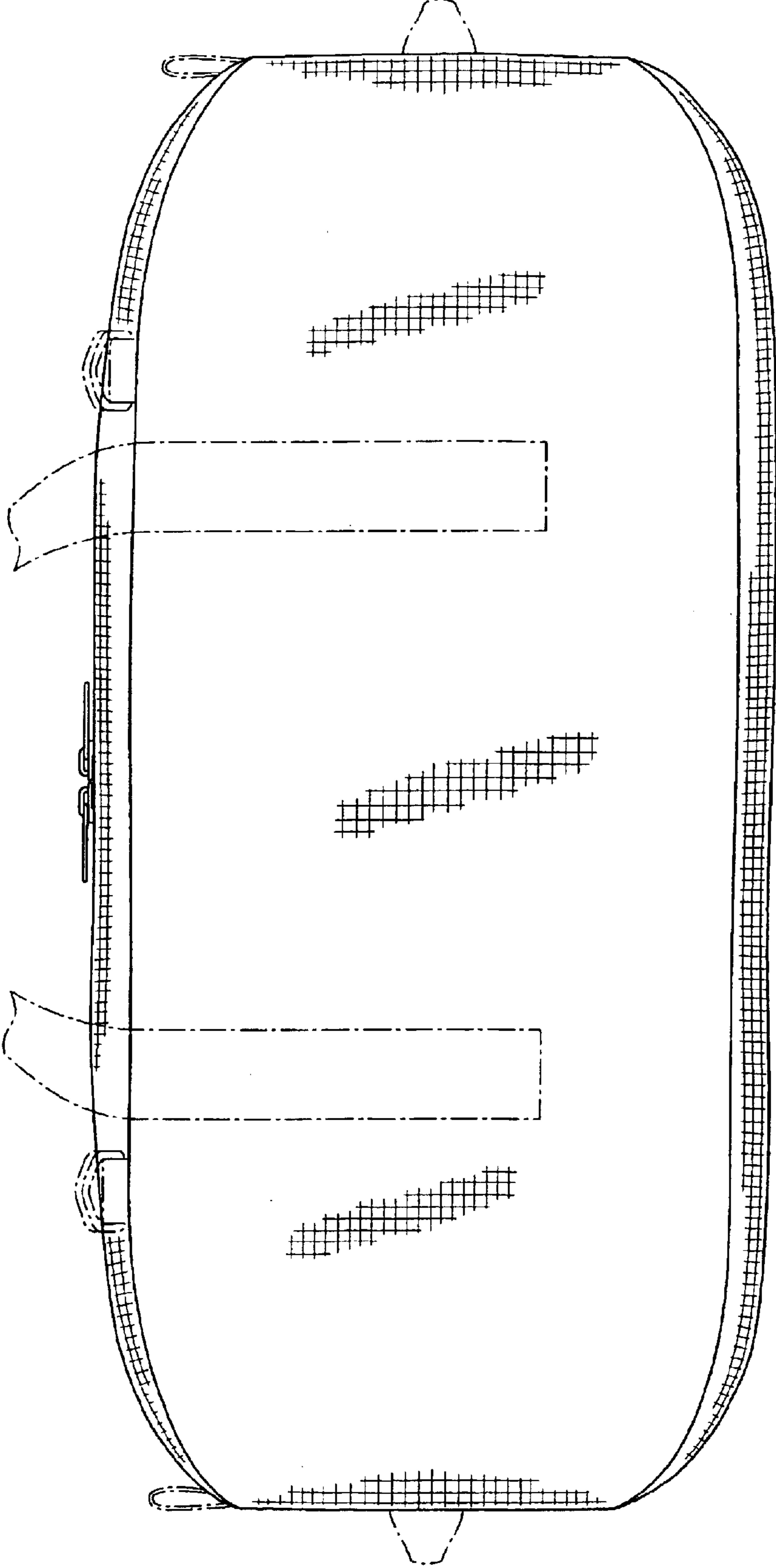


FIG. 6

