



US00D509956S

(12) **United States Design Patent**  
**Lin**

(10) **Patent No.:** **US D509,956 S**

(45) **Date of Patent:** **\*\* Sep. 27, 2005**

(54) **CUE BAG**

D465,325 S \* 11/2002 Lin ..... D3/254  
6,561,348 B2 \* 5/2003 Kuo ..... 206/315.1

(76) **Inventor:** **Yu-Hung Lin**, P.O. Box No. 6-57,  
Junghe, Taipei 235 (TW)

**OTHER PUBLICATIONS**

(\*\*) **Term:** **14 Years**

Ozone Billiards Catalog 2003, pp. 19, 20, 21, Pool Cue Cases.\*

(21) **Appl. No.:** **29/201,869**

\* cited by examiner

(22) **Filed:** **Mar. 23, 2004**

*Primary Examiner*—Philip S. Hyder

(51) **LOC (8) Cl.** ..... **03-01**

(57) **CLAIM**

(52) **U.S. Cl.** ..... **D3/254; D3/300**

The ornamental design for cue bag, as shown and described.

(58) **Field of Search** ..... D3/254, 260, 262,  
D3/273, 276, 291, 221; 206/315.1, 443;  
190/100, 110, 111, 119, 120, 121; 473/1,  
2, 3

**DESCRIPTION**

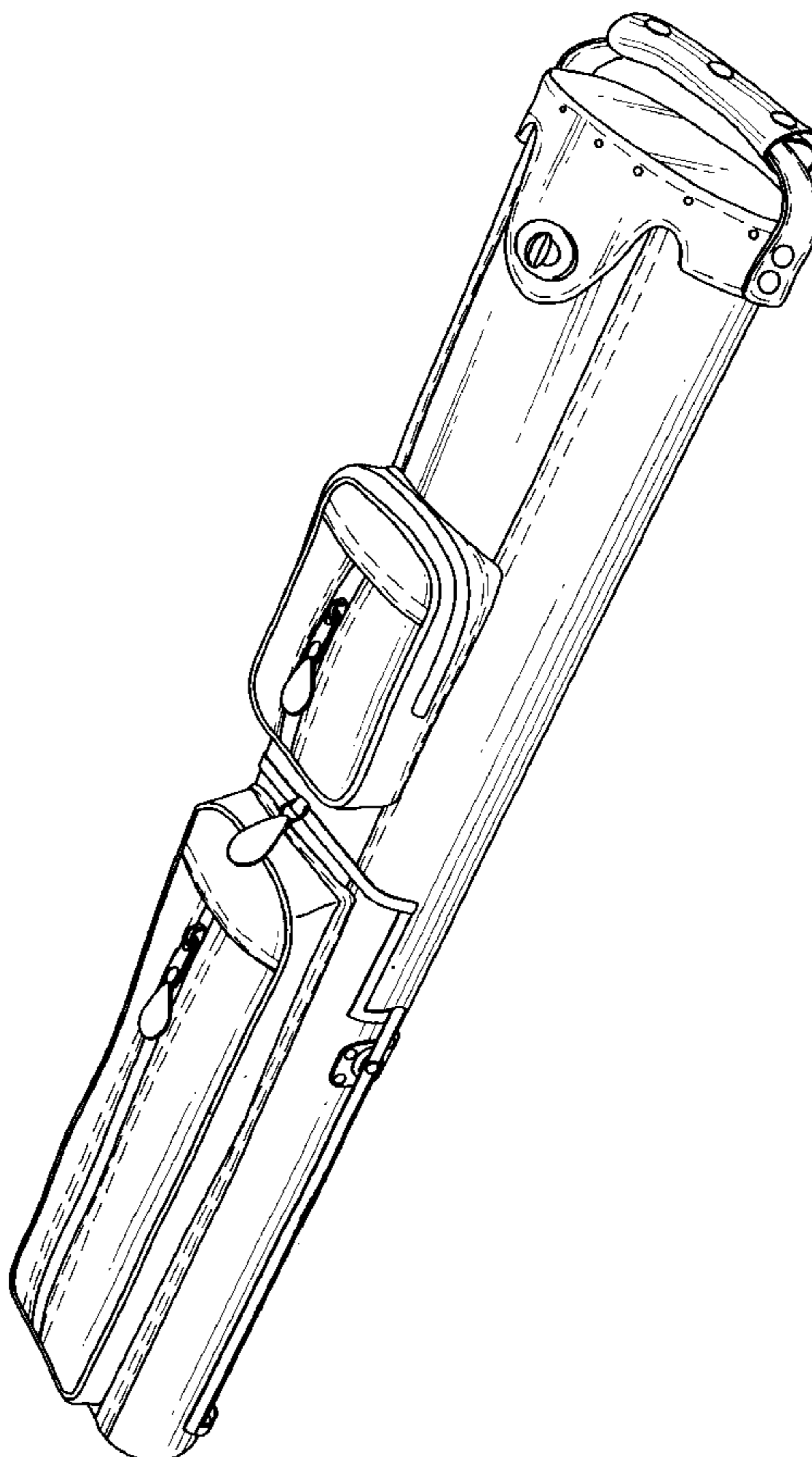
(56) **References Cited**

FIG. 1 is a perspective view thereof;  
FIG. 2 is a front view thereof;  
FIG. 3 is a back view thereof;  
FIG. 4 is a left side view thereof;  
FIG. 5 is a right side view thereof;  
FIG. 6 is a top view thereof;  
FIG. 7 is a bottom view thereof; and,  
FIG. 8 is a perspective view thereof, wherein the stabilizing mechanisms are in an extended position.

**U.S. PATENT DOCUMENTS**

D318,566 S	*	7/1991	Henry	.....	D3/255
5,082,218 A	*	1/1992	Hoffman	.....	248/96
5,338,261 A	*	8/1994	Stegman	.....	473/1
D352,827 S	*	11/1994	Schildkraut	.....	D3/283
D365,205 S	*	12/1995	Holland, III	.....	D3/255
D410,333 S	*	6/1999	Coca	.....	D3/260
D414,035 S	*	9/1999	Stokes	.....	D3/255

**1 Claim, 5 Drawing Sheets**



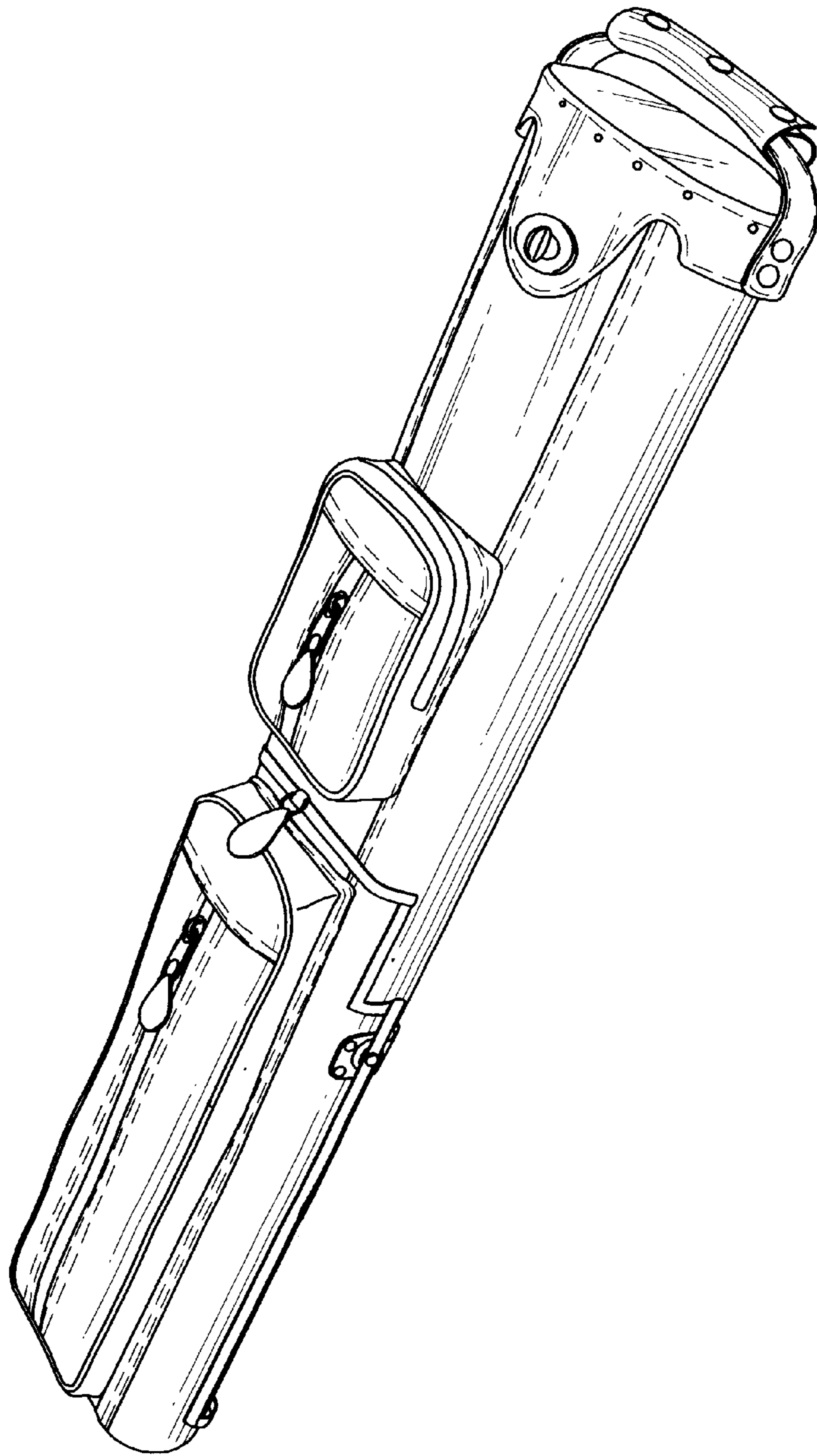


FIG . 1

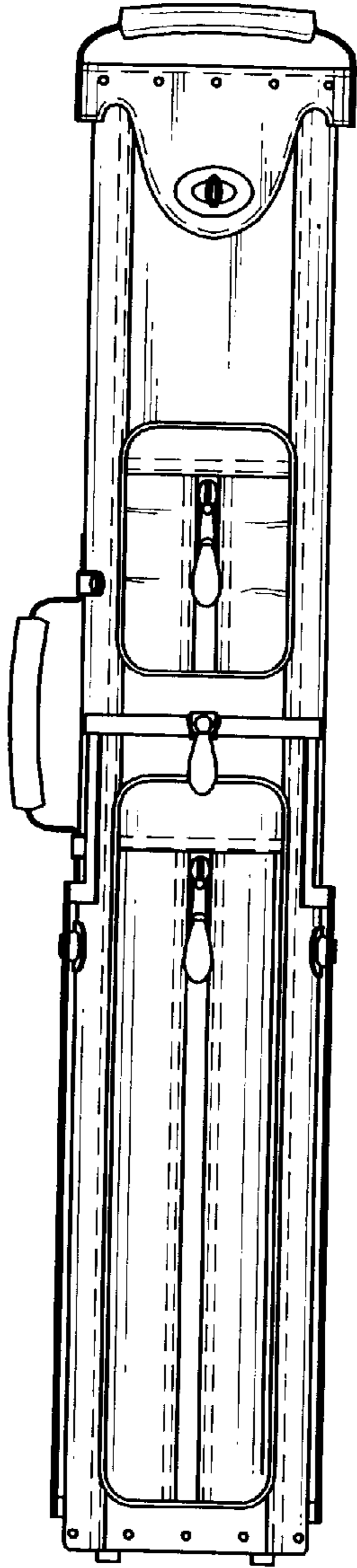


FIG . 2

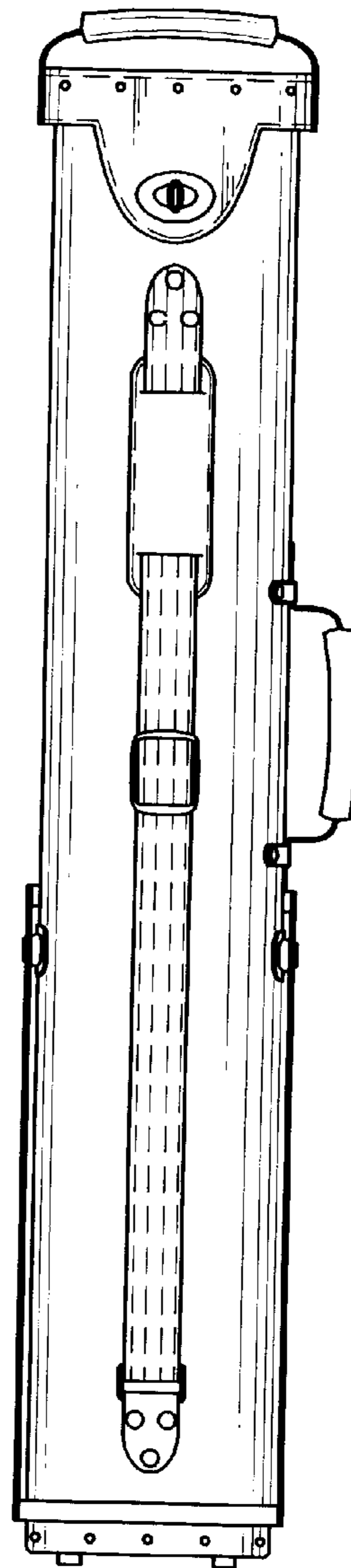


FIG . 3

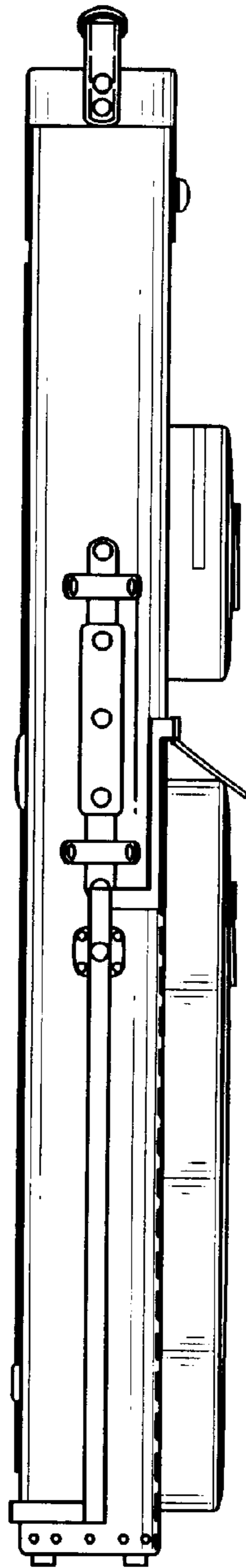


FIG . 4

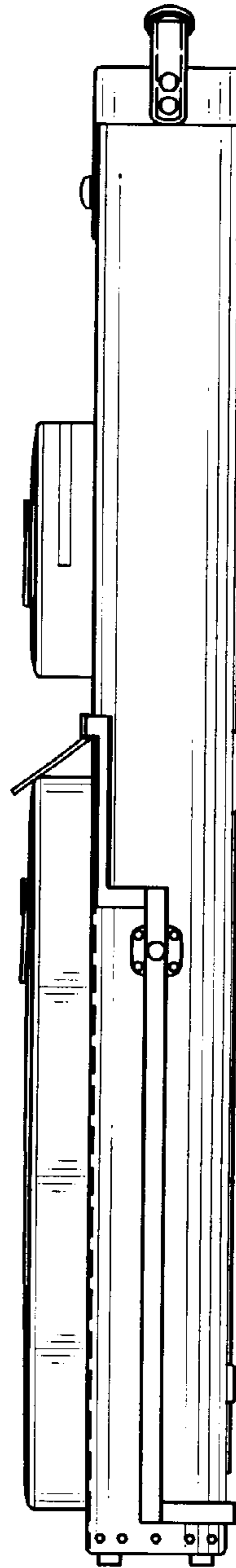


FIG . 5

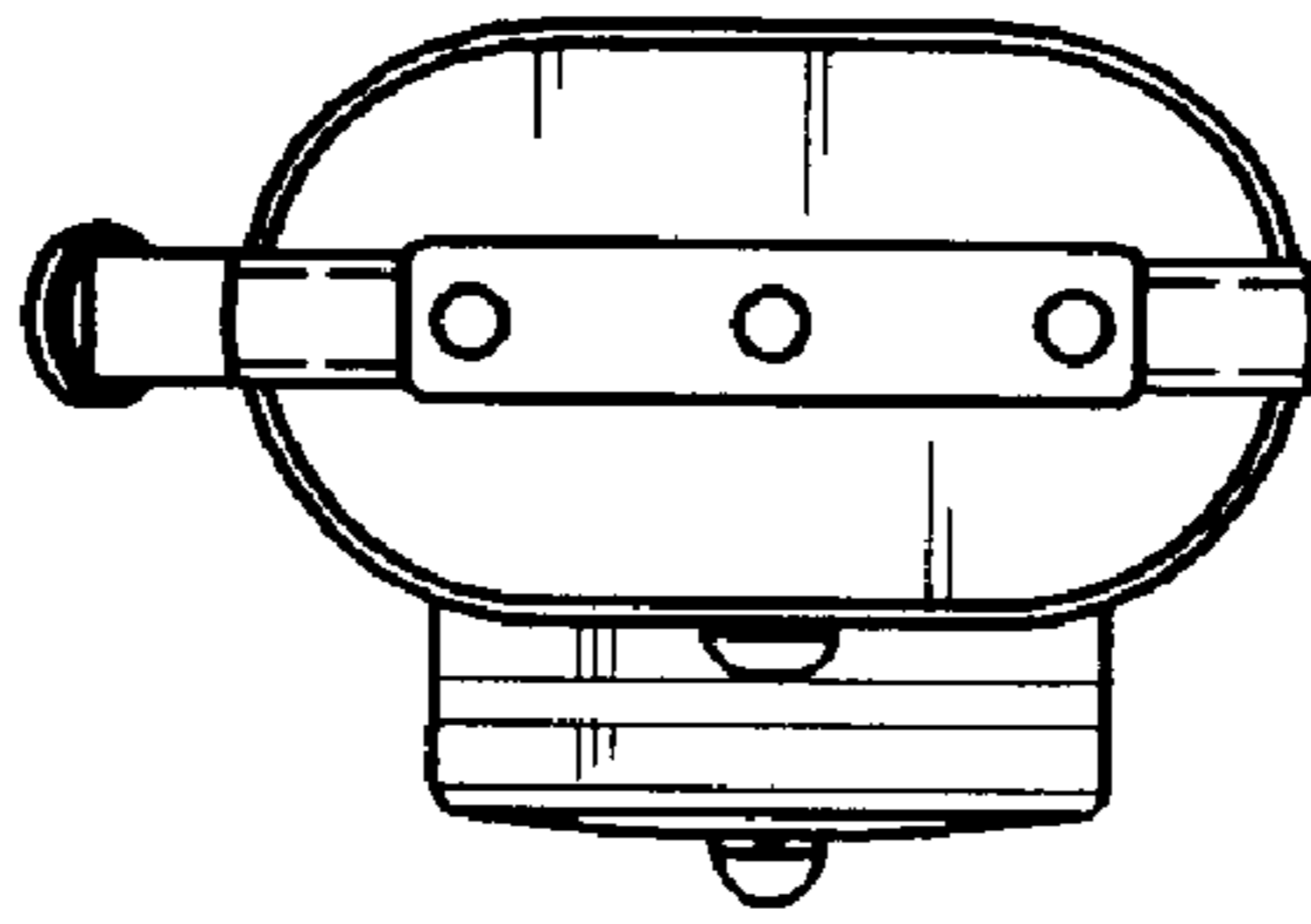


FIG . 6

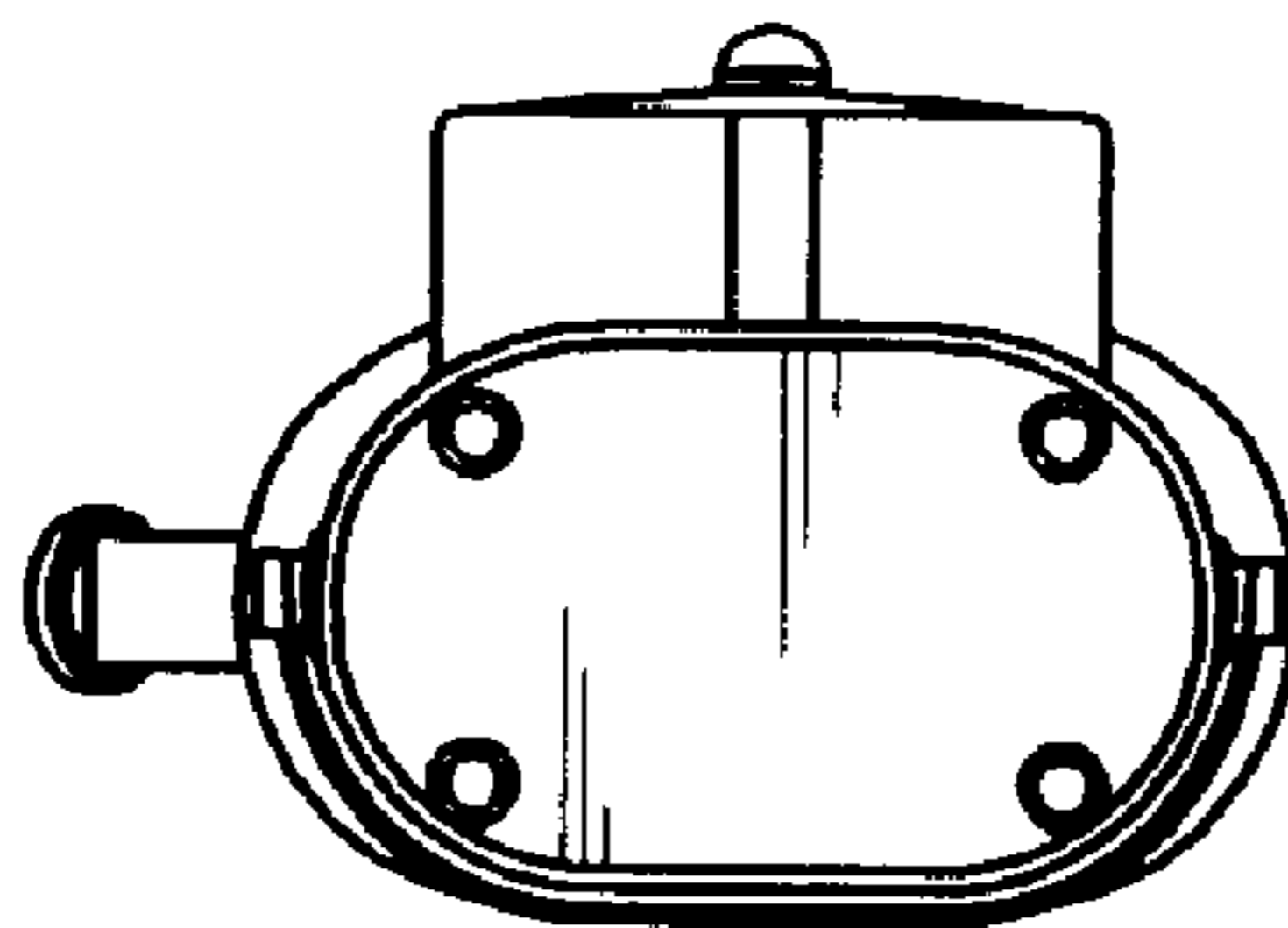


FIG . 7

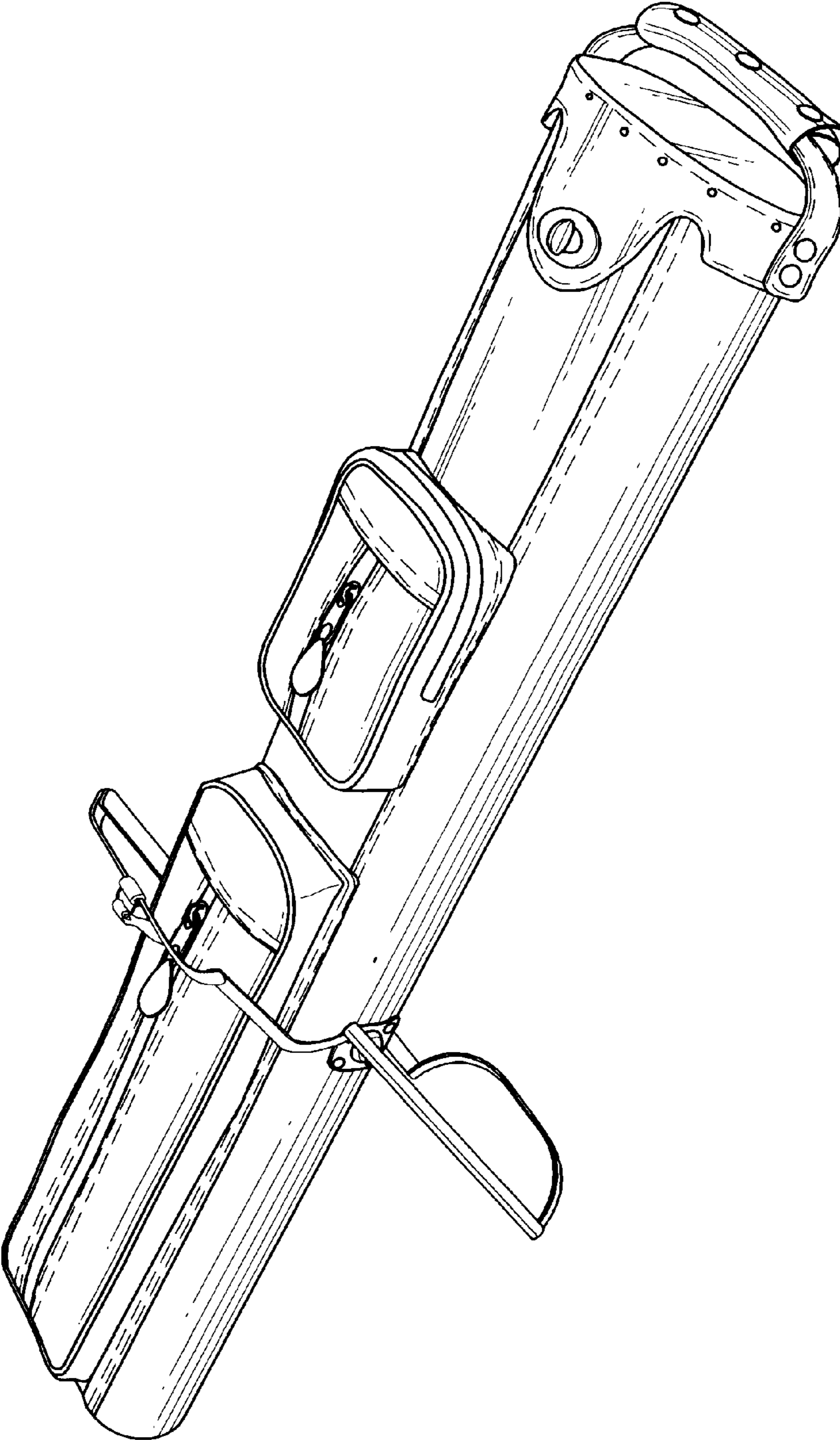


FIG . 8