

US00D509955S

(12) **United States Design Patent** (10) **Patent No.:** **US D509,955 S**
Williams (45) **Date of Patent:** **** Sep. 27, 2005**

(54) **MAGNETIZED APPOINTMENT CARD HOLDER**

(76) Inventor: **Beverly D. Williams**, R.R. 3, Box 131, Shelbyville, IL (US) 62565

(**) Term: **14 Years**

(21) Appl. No.: **29/214,317**

(22) Filed: **Oct. 1, 2004**

(51) **LOC (8) Cl.** **03-01**

(52) **U.S. Cl.** **D3/247**

(58) **Field of Search** D3/201, 247, 248, D3/249, 250, 251, 252, 263; 150/129, 131, 132, 133, 135, 138, 140, 145, 147, 901; 190/124, 125, 126, 127, 903; 383/907; D19/1, 90; 40/1.5, 1.6, 586, 587, 564.01, 663; 116/200, 321; 206/37, 38, 39, 39.5, 39.6, 39.7, 805; 229/67.1, 67.2, 72; 224/182, 219, 220, 221, 227, 236, 660, 623; 340/568.1, 568.7

(56) **References Cited**

U.S. PATENT DOCUMENTS

513,749 A * 1/1894 Atherton 150/147
1,458,829 A * 6/1923 Kackley 229/72
2,557,399 A 6/1951 Teetor
3,958,690 A * 5/1976 Gee, Sr. 150/147
D285,938 S * 9/1986 Ventres, Jr. D19/1

D310,098 S 8/1990 Ristuccia, Sr.
D325,048 S * 3/1992 Penner D19/90
D343,638 S 1/1994 Kovner
D377,808 S 2/1997 Coe
D386,065 S 11/1997 Lewis
D411,765 S * 7/1999 Holihan D3/247

* cited by examiner

Primary Examiner—Louis S. Zarfes
Assistant Examiner—Monica A. Weingart
(74) *Attorney, Agent, or Firm*—Donald R. Schoonover

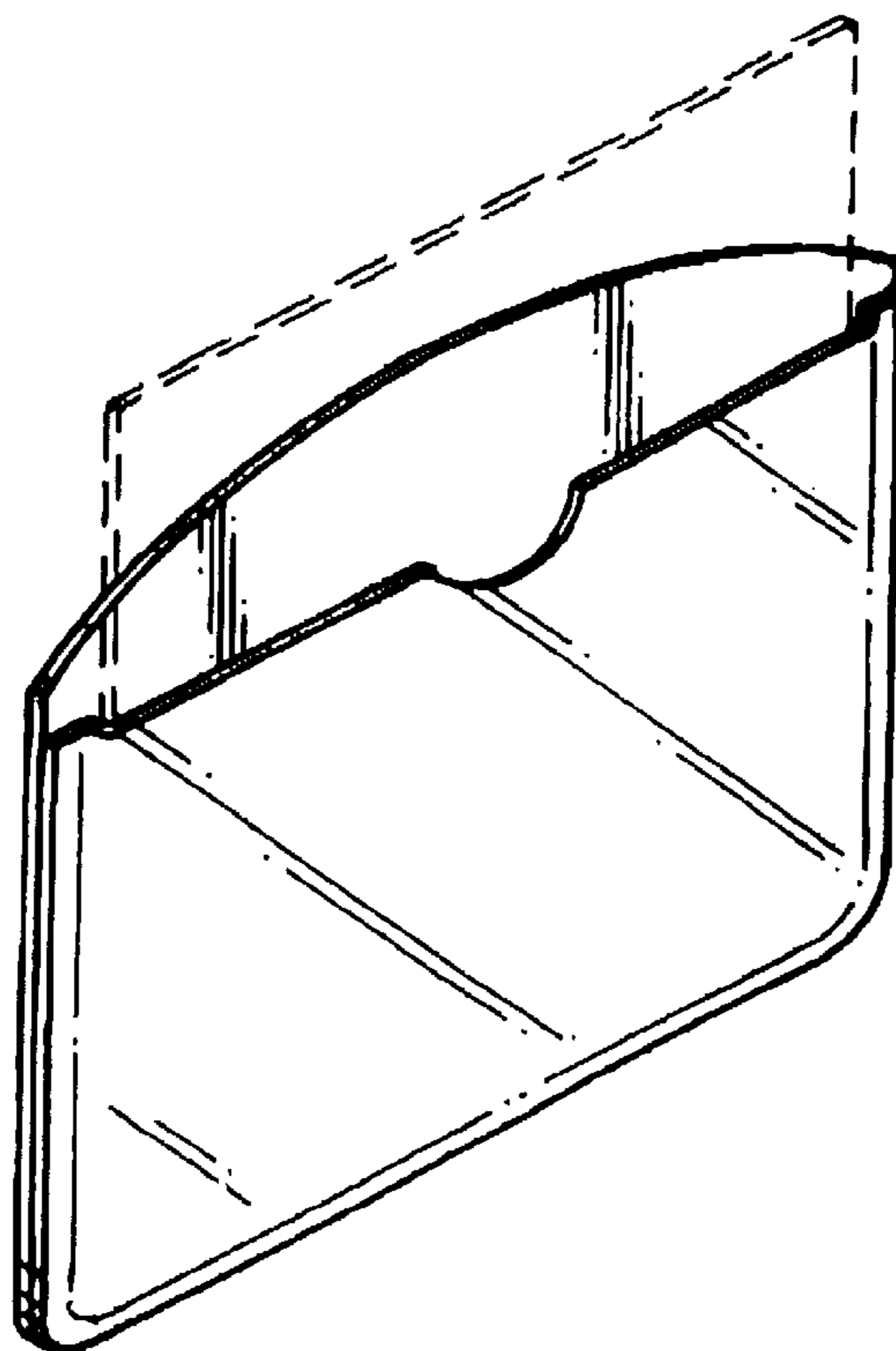
(57) **CLAIM**

The ornamental design for a magnetized appointment card holder, as shown and described.

DESCRIPTION

FIG. 1 is a perspective view a magnetized appointment card holder showing my new design;
FIG. 2 is a front elevational view thereof;
FIG. 3 is a rear elevational view thereof;
FIG. 4 is a left side elevational view thereof, the right side elevational view being a mirror image there;
FIG. 5 is a top plan view thereof; and,
FIG. 6 is a bottom plan view thereof.
The broken line showing of an appointment card, in FIG. 1, is for illustrative purposes only and forms no part of the claimed design.

1 Claim, 3 Drawing Sheets



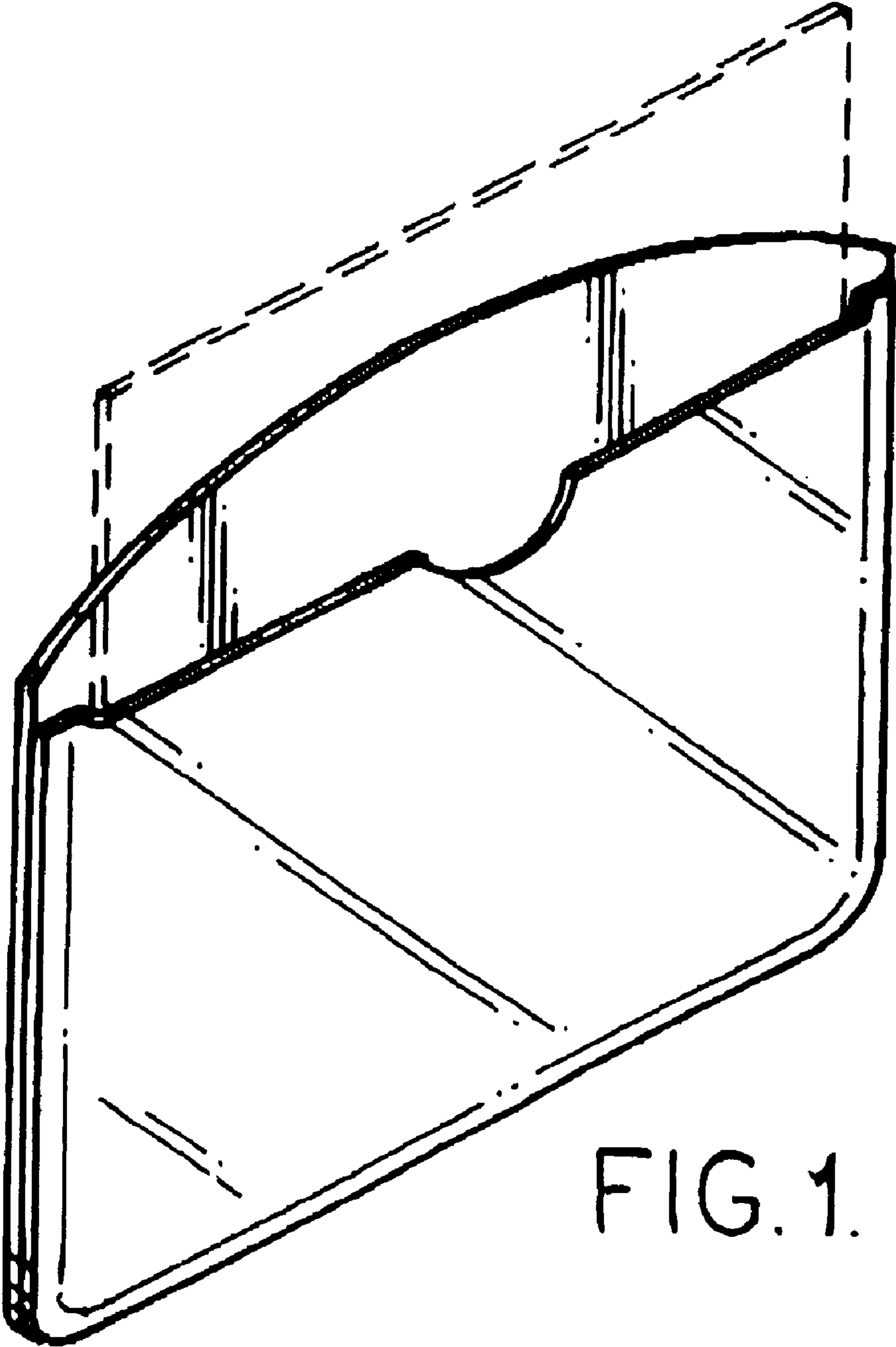


FIG. 1.

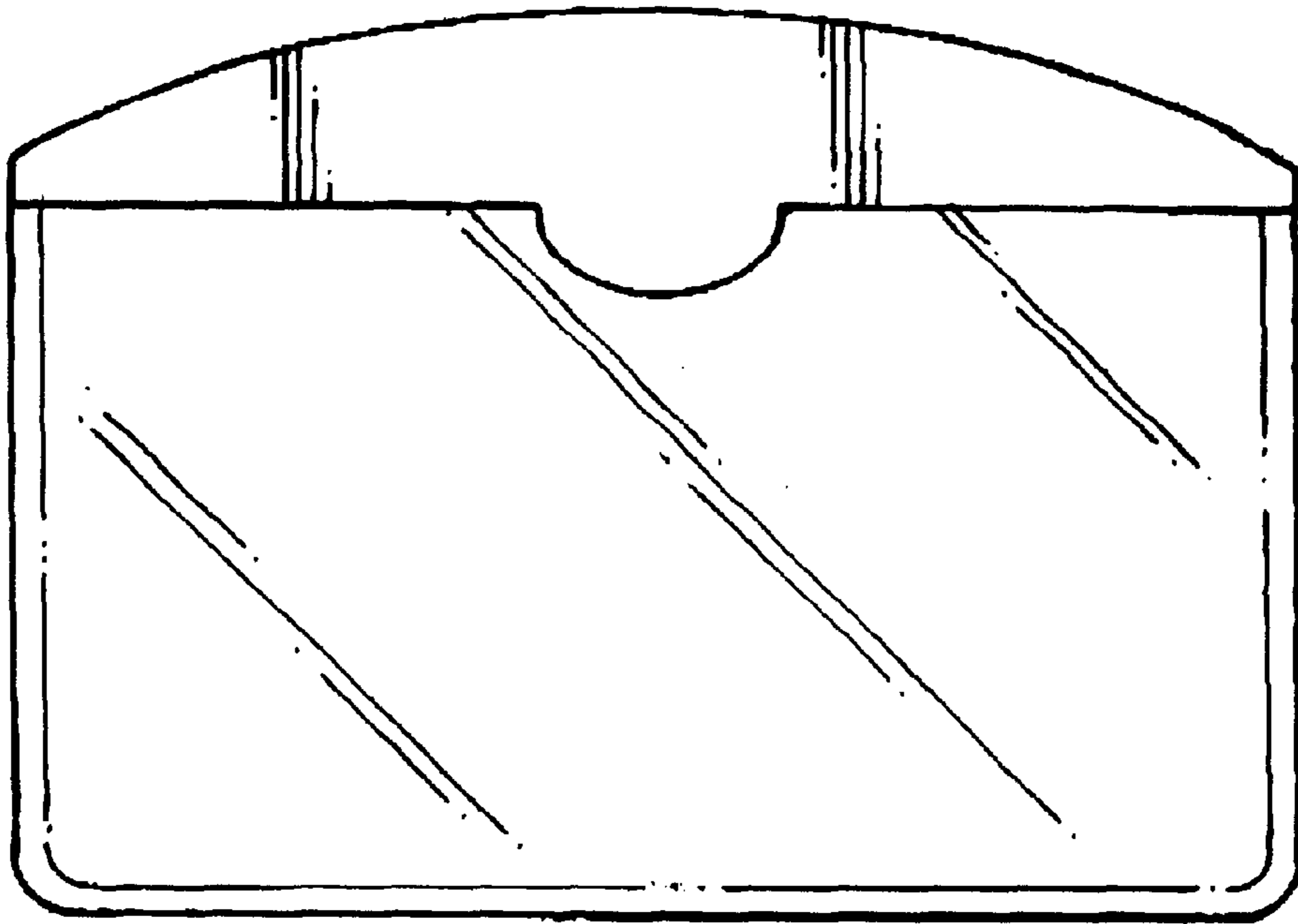


FIG. 2.

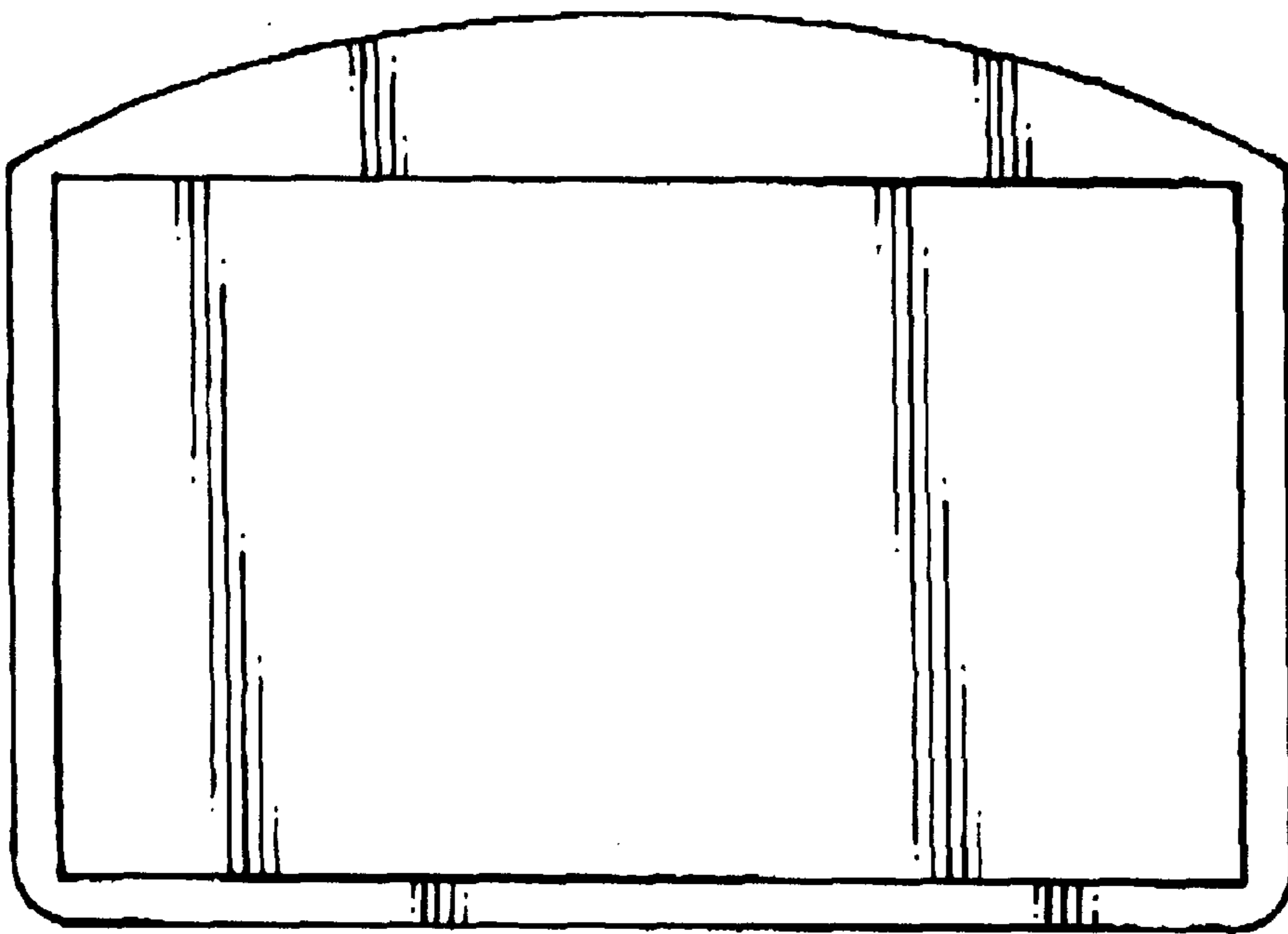


FIG. 3.



FIG. 4.

FIG. 5.

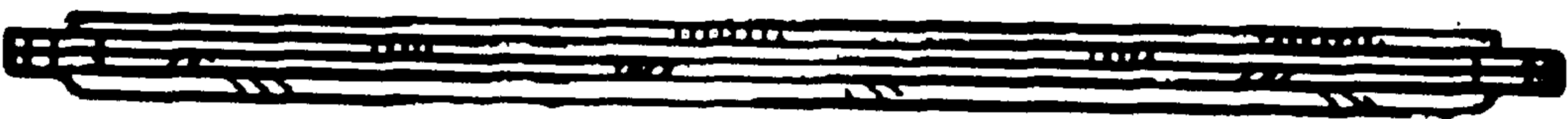
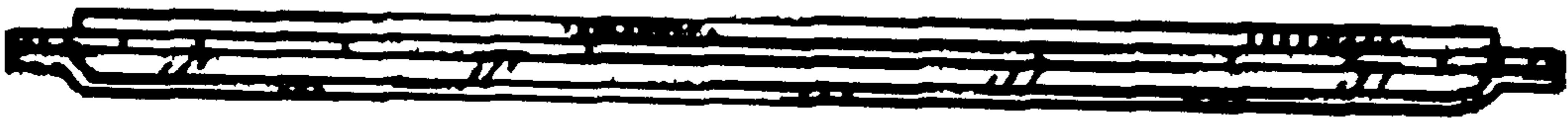


FIG. 6.