



US00D509944S

(12) **United States Design Patent** (10) **Patent No.:** **US D509,944 S**  
**Mason** (45) **Date of Patent:** **\*\* Sep. 27, 2005**

(54) **BOTTLE CAP NECKTIE**

(76) **Inventor:** **Parker T. Mason**, 160 Anoyo Grande Way, Los Gatos, CA (US) 95032

(\*\*) **Term:** **14 Years**

(21) **Appl. No.:** **29/202,453**

(22) **Filed:** **Mar. 31, 2004**

(51) **LOC (8) Cl. .... 02-05**

(52) **U.S. Cl. .... D2/608**

(58) **Field of Search** ..... D2/600, 604, 605, D2/608, 500, 503, 508, 869, 872; 2/145, 146, 147, 148, 149, 150, 151, 152, 153, 154, 155; 215/254; D9/453

(56) **References Cited**

**U.S. PATENT DOCUMENTS**

D48,033 S	*	10/1915	Kaye	.....	D9/453
3,118,556 A	*	1/1964	Amato et al.	.....	215/254
4,627,113 A		12/1986	Lord		
D318,754 S		8/1991	Hughes		
D320,499 S		10/1991	White et al.		
5,673,434 A		10/1997	Risk		
5,722,095 A	*	3/1998	Jonas	.....	2/146
D398,435 S		9/1998	Gray		
D457,287 S		5/2002	Geisen		
D462,506 S	*	9/2002	Davison, III	.....	D2/869

\* cited by examiner

*Primary Examiner*—Paula A. Greene

(74) *Attorney, Agent, or Firm*—C. Bart Sullivan

(57) **CLAIM**

The ornamental design for a bottle cap necktie, as shown and described.

**DESCRIPTION**

FIG. 1 is a front, perspective view of a bottle cap necktie, showing my new design in a condition of use, the broken lines showing of a flexible attachment means to allow use of the bottle cap necktie, clothing, collar, and lines showing connection means between bottle caps are for illustrative purposes only and form no part of the claimed design.

FIG. 2 is front elevational view of the bottle cap necktie in condition of not in use.

FIG. 3 is a rear elevational view of the bottle cap necktie in condition of not in use.

FIG. 4 is a left side elevational view of the bottle cap necktie.

FIG. 5 is a right side elevational view of the bottle cap necktie.

FIG. 6 is a top plan view of the bottle cap necktie in condition of not in use.

FIG. 7 is a bottom plan view of the bottle cap necktie.

FIG. 8 is an enlarged fragmentary perspective view of the bottle cap necktie in condition of use showing details of the bottle cap necktie for clarity; and,

FIG. 9 is an enlarged fragmentary perspective view of the bottle cap necktie in condition of use showing details of the bottle cap necktie without connecting means between bottle caps for clarity.

Some portion of the bottle cap necktie may be hidden from view by a collar during a condition of use as illustrated in FIG. 1.

**1 Claim, 7 Drawing Sheets**

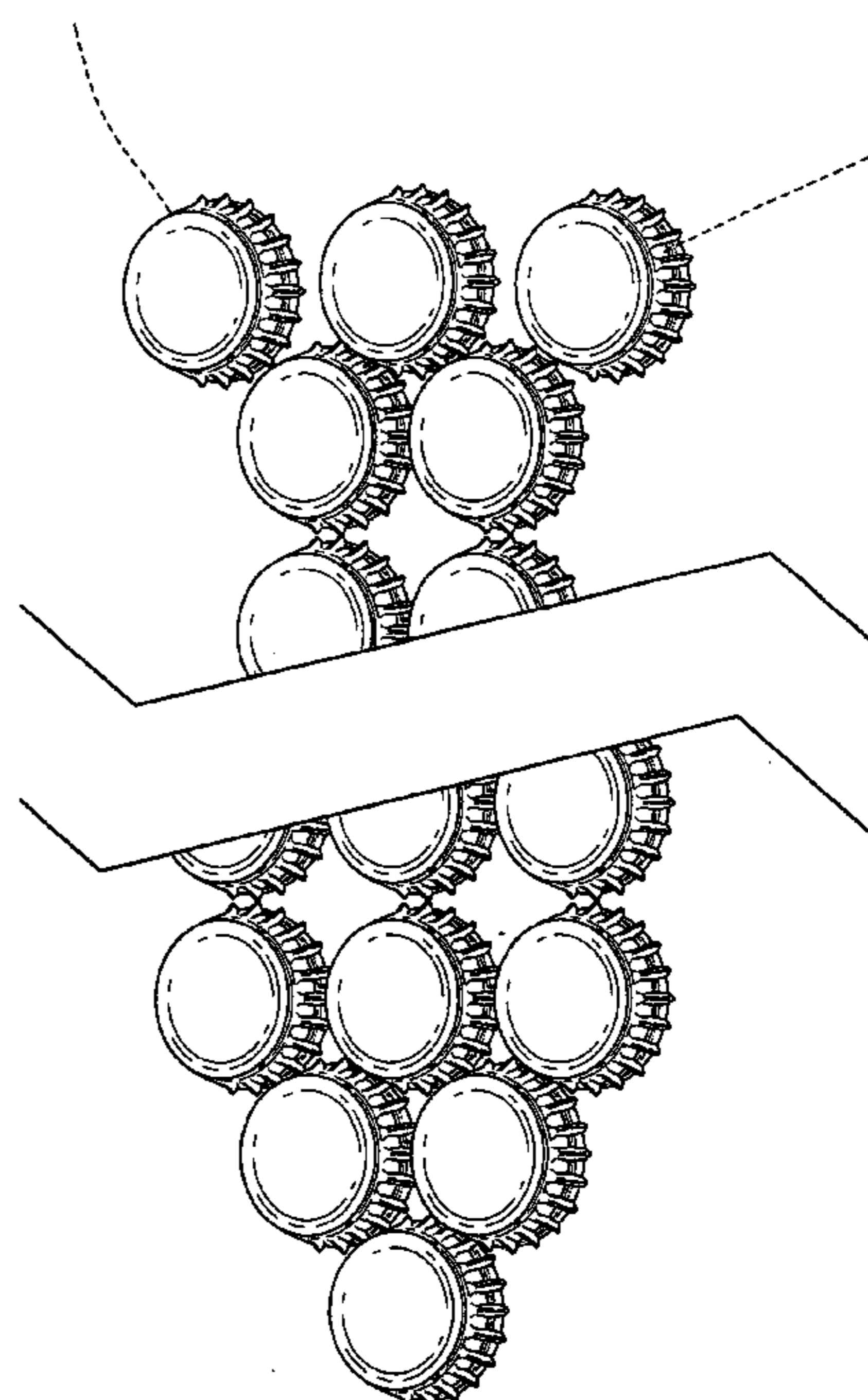
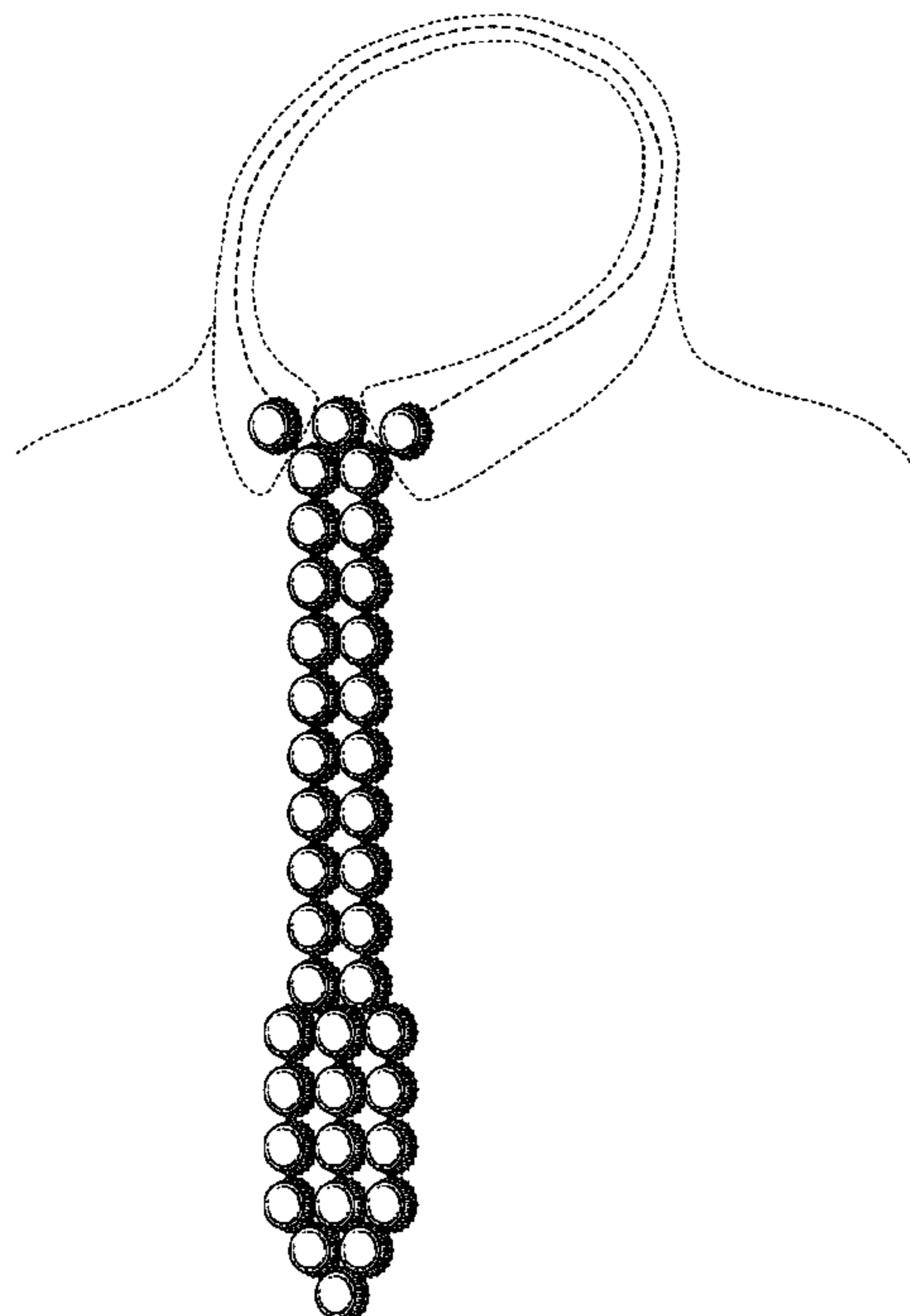
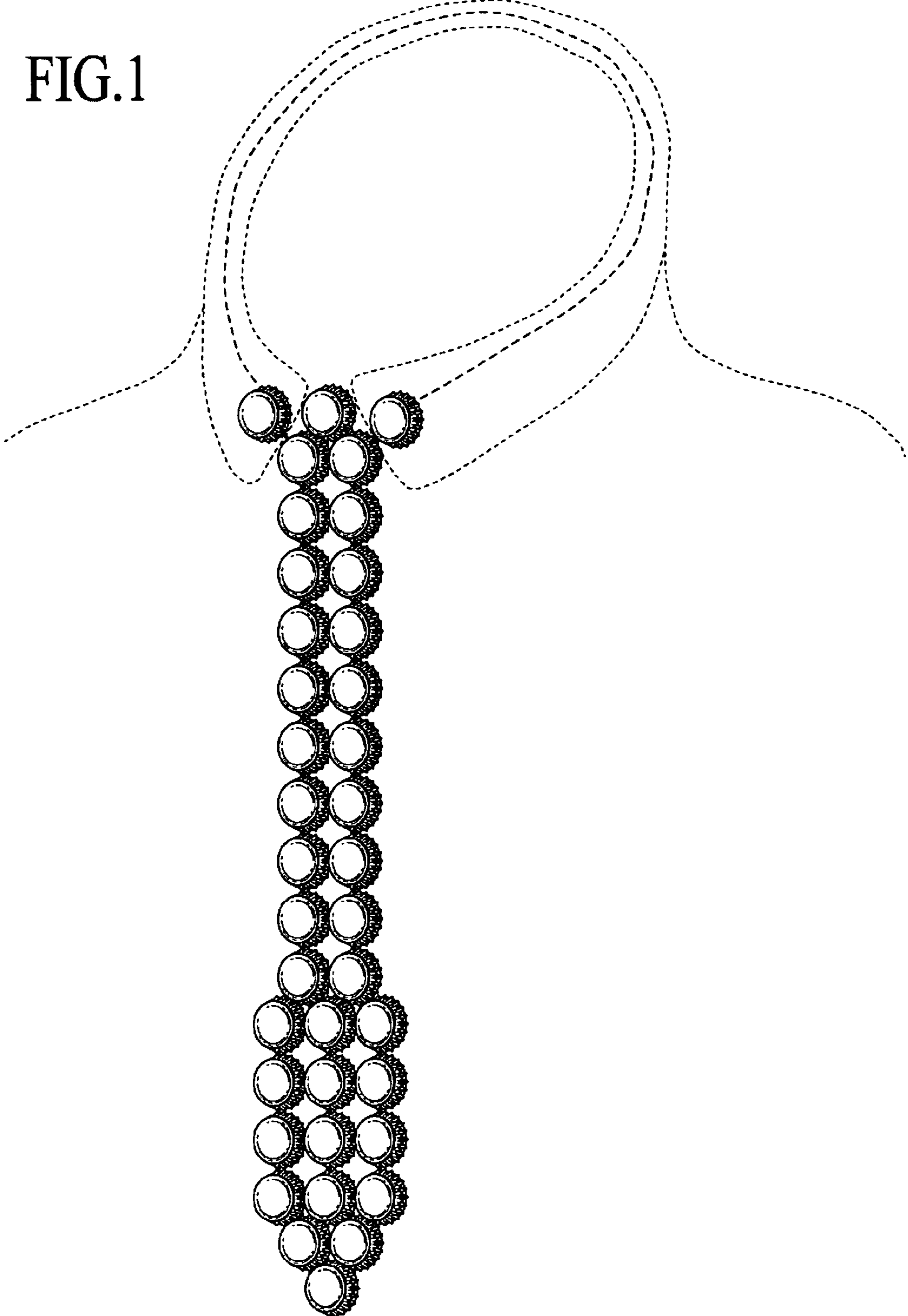


FIG.1



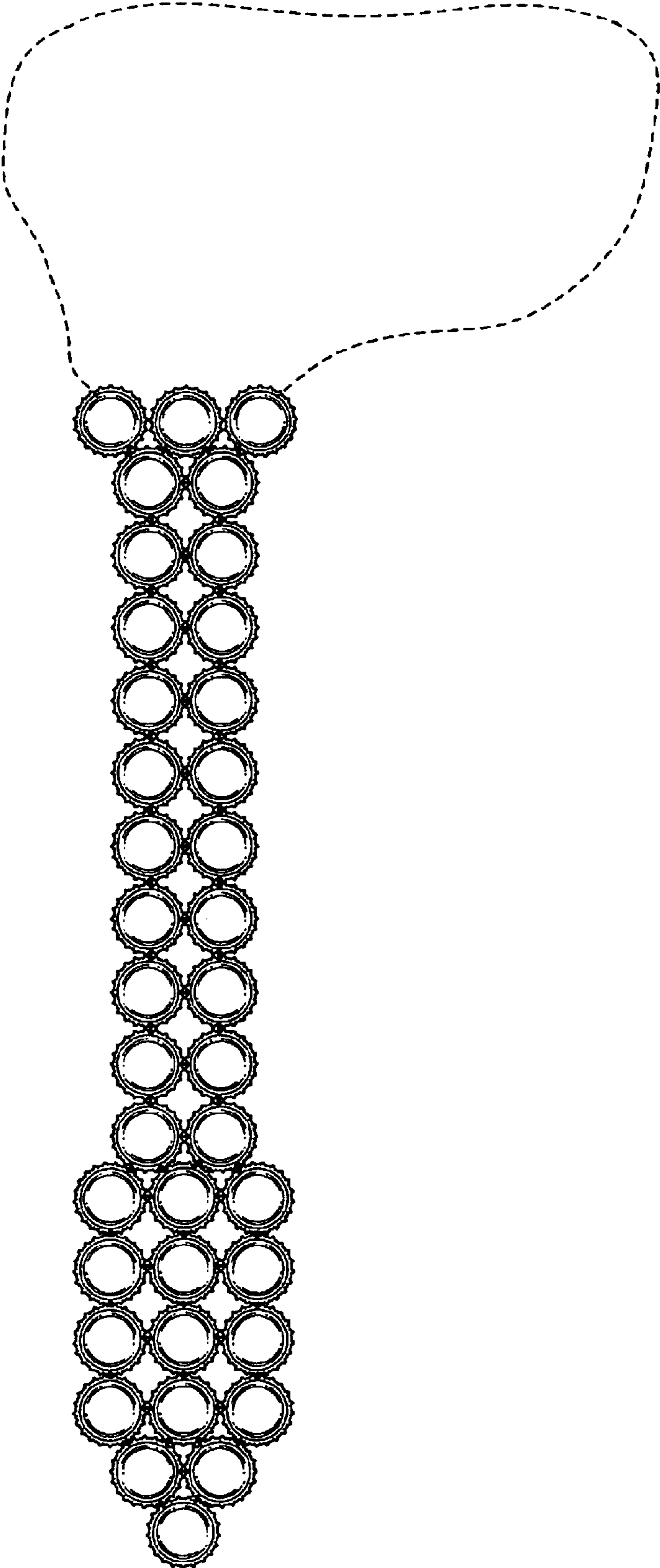


FIG.2

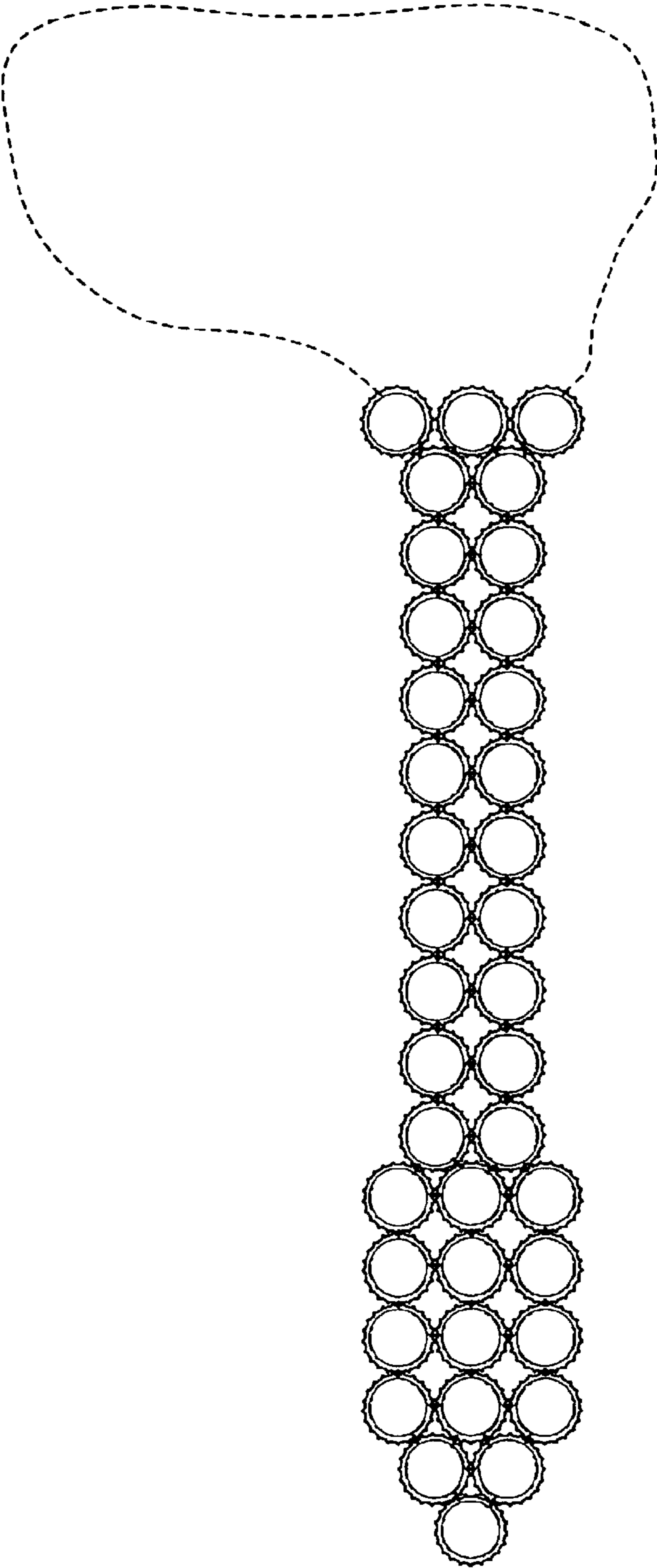


FIG.3

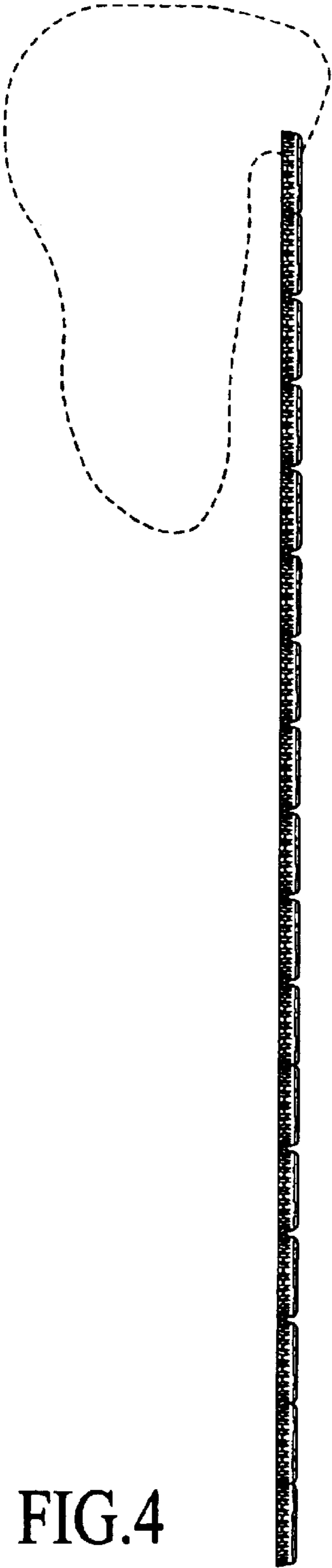


FIG.4

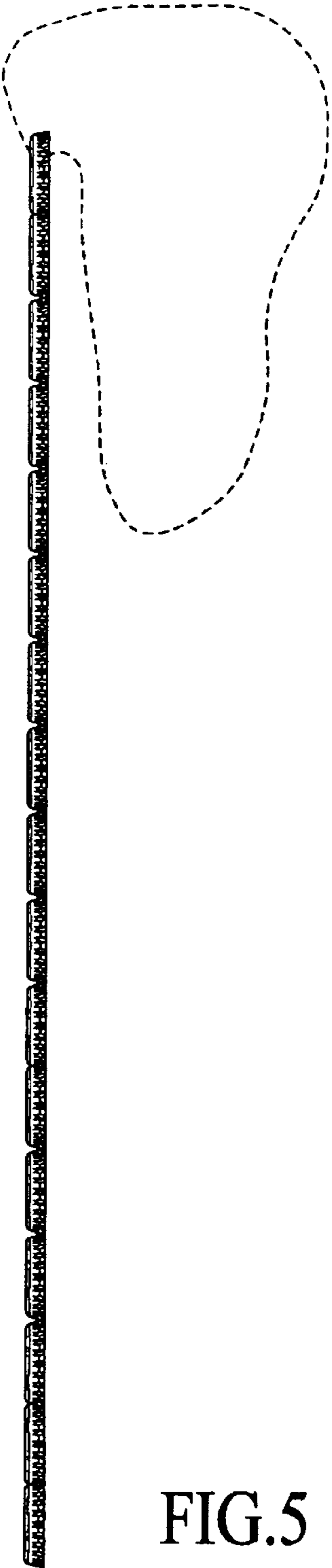


FIG.5

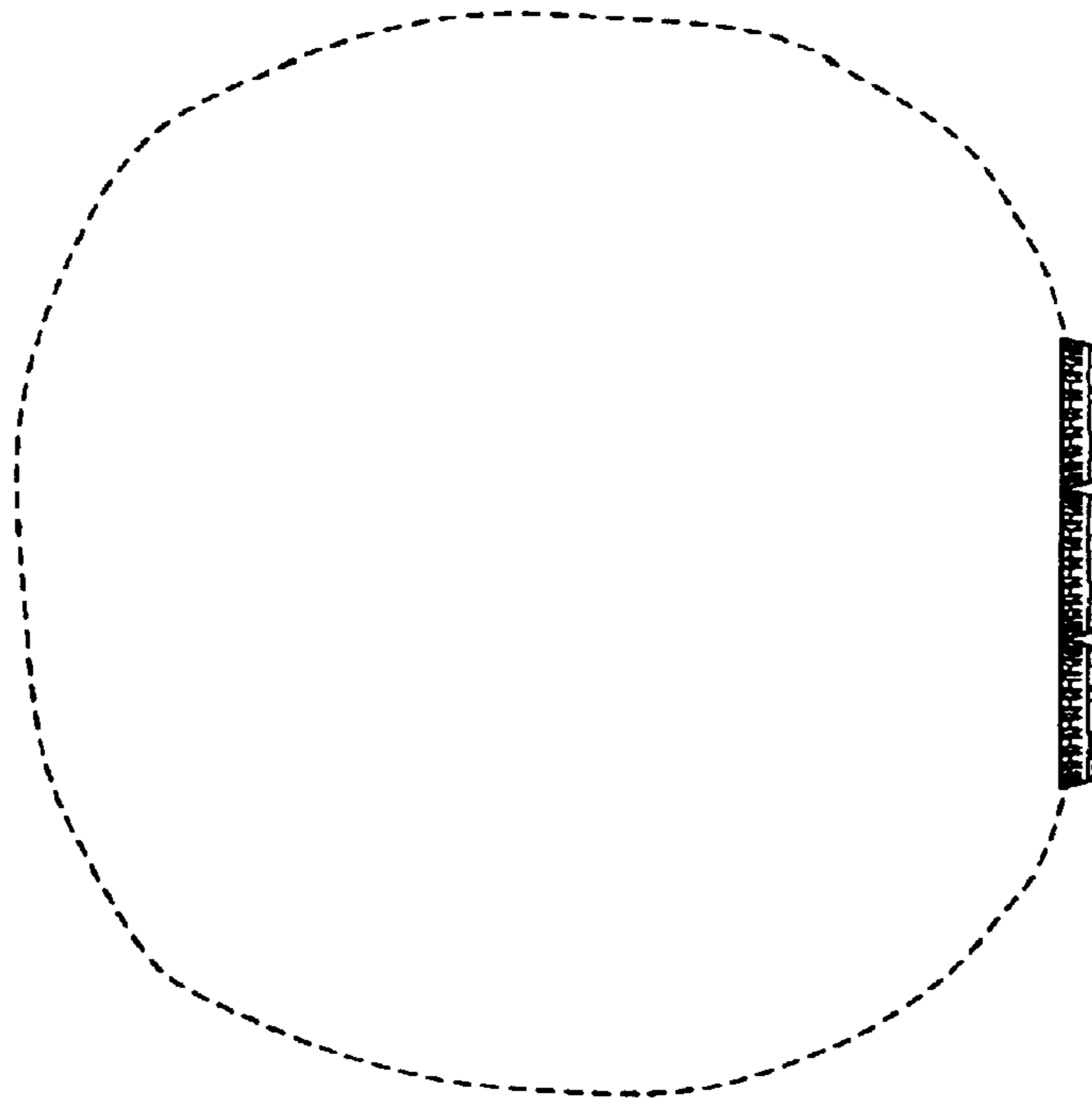


FIG. 6

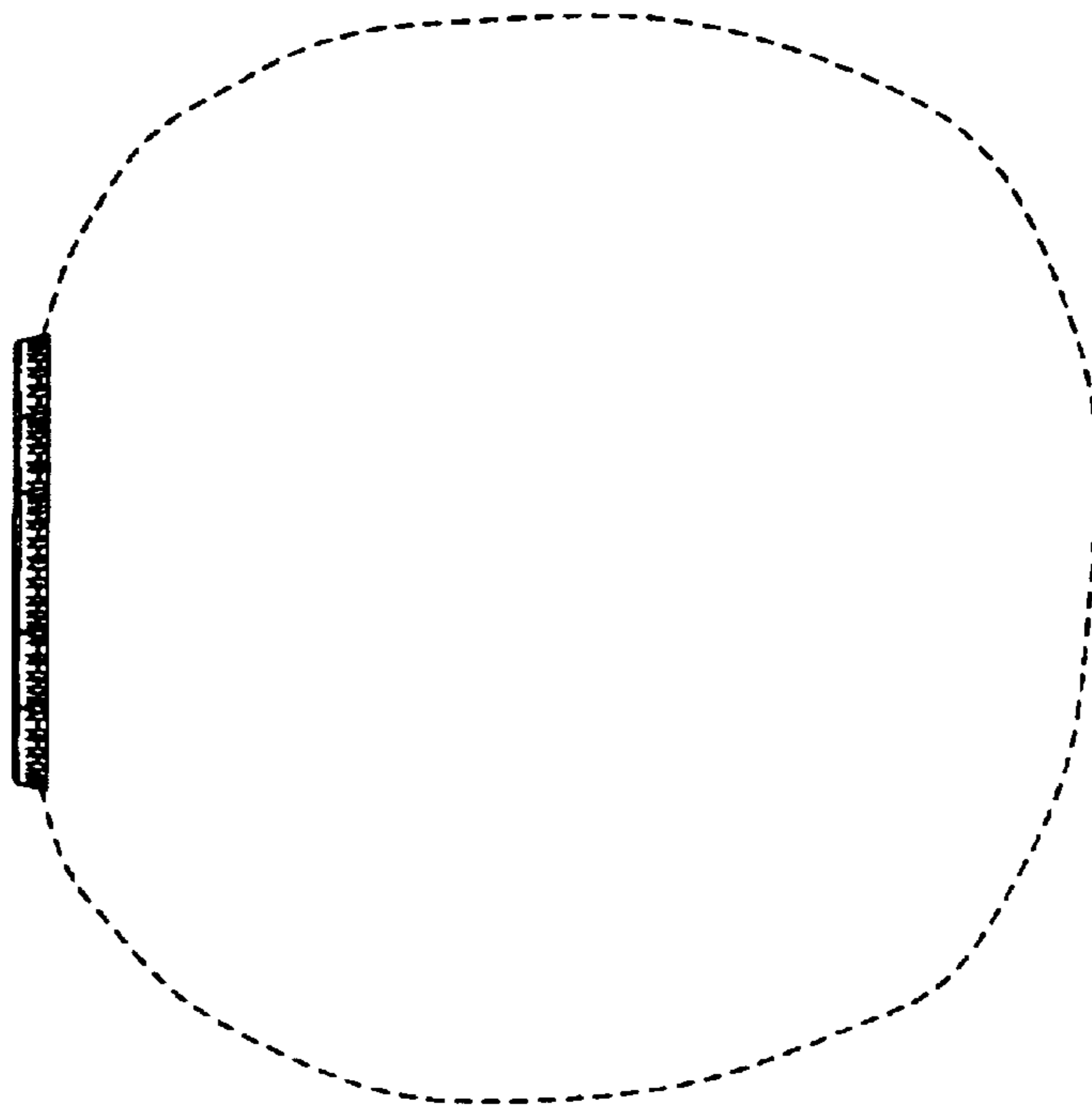


FIG. 7

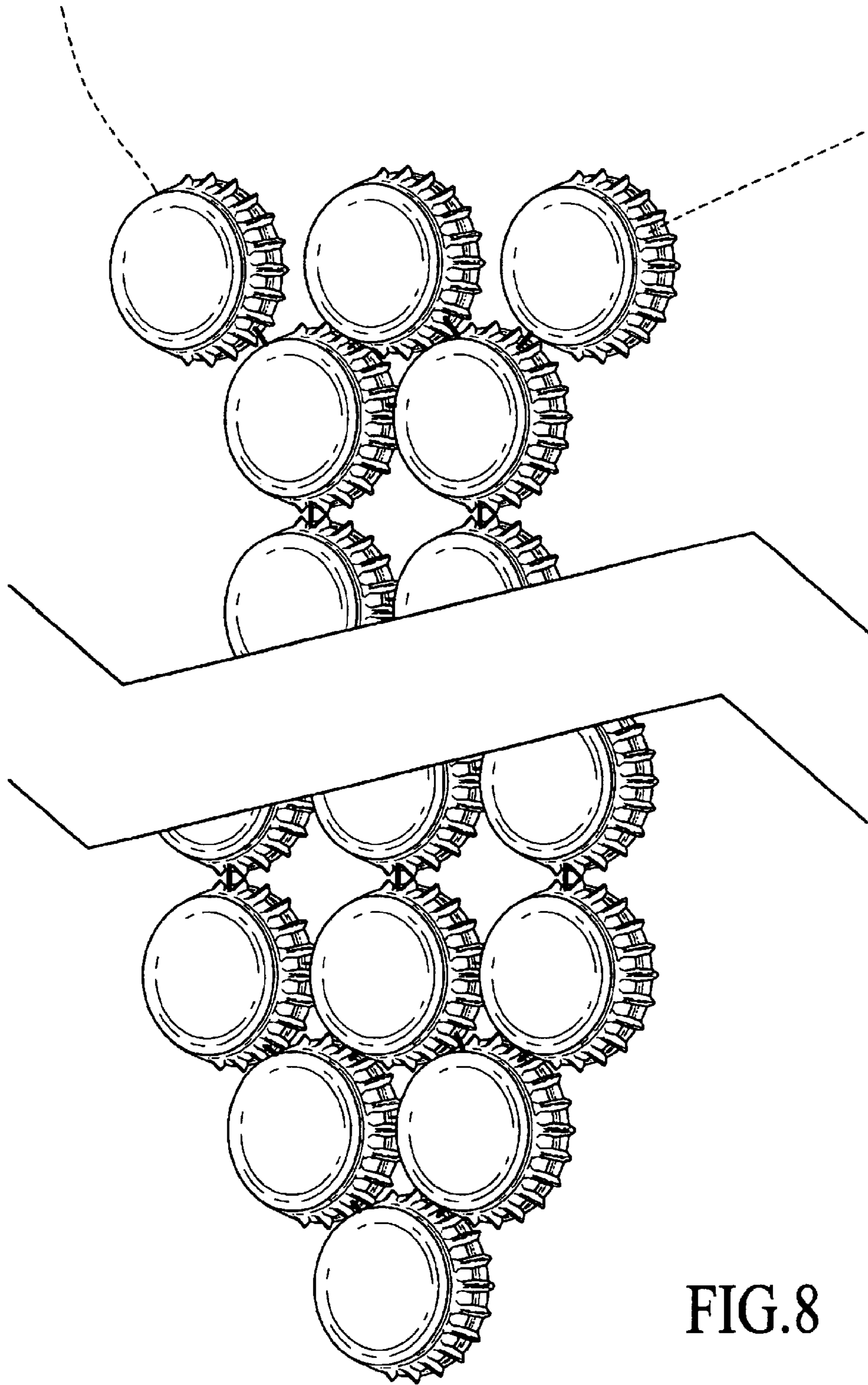


FIG. 8

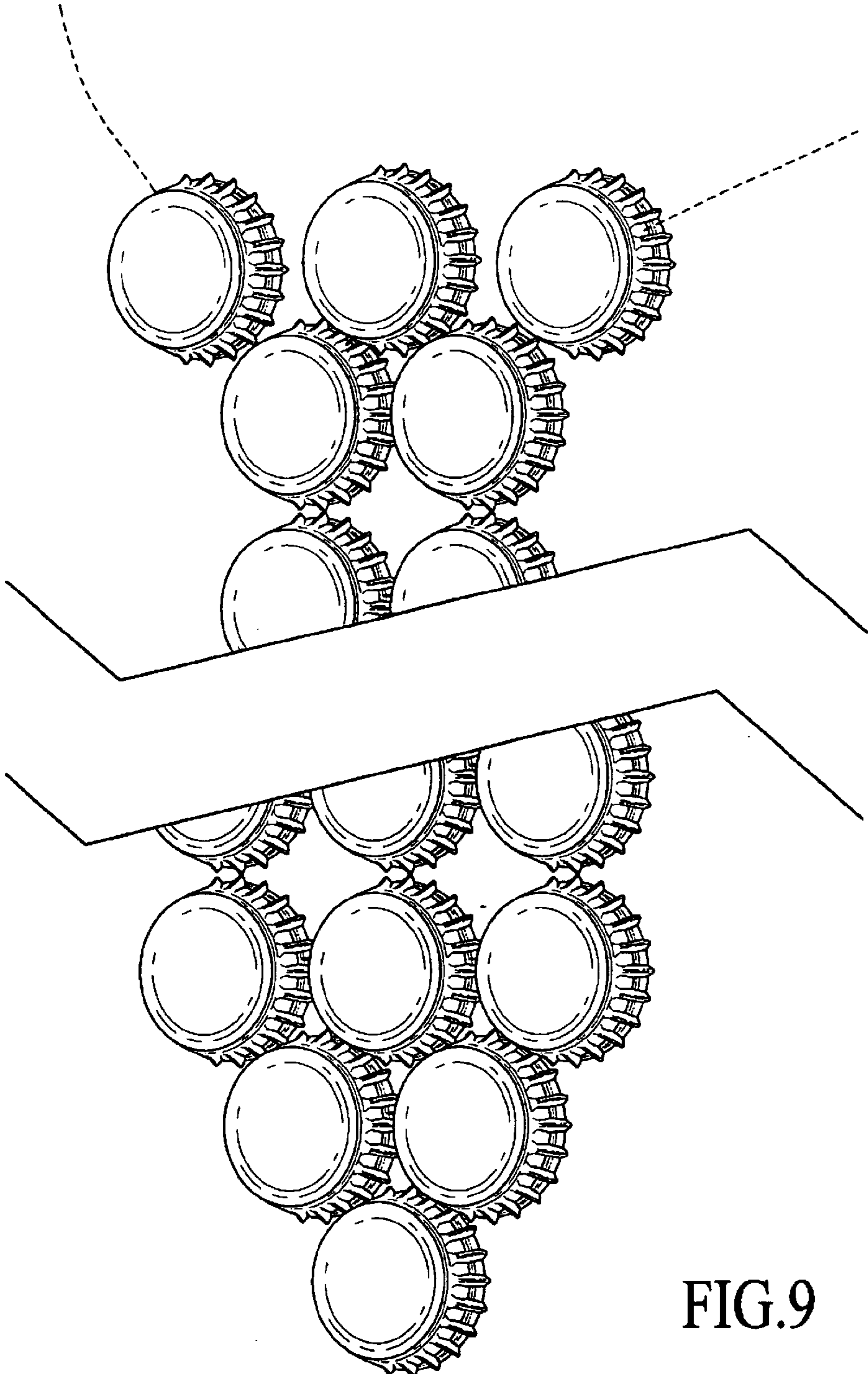


FIG.9