

US00D509942S

(12) **United States Design Patent**
Connolly et al.

(10) **Patent No.: US D509,942 S**
(45) **Date of Patent: ** Sep. 27, 2005**

(54) **OVAL CONFECTIONARY TABLET WITH LETTERED SURFACE**

D285,490 S * 9/1986 Tovey D24/101
D376,251 S * 12/1996 Manderfeld 327/541
D447,835 S * 9/2001 Whitaker et al. D28/8.1

(75) Inventors: **Eric Thomas Connolly**, Marlborough (GB); **William John Maskell**, London (GB)

* cited by examiner

Primary Examiner—Pamela Burgess

(73) Assignee: **WM. Wrigley Jr. Company**, Chicago, IL (US)

(74) *Attorney, Agent, or Firm*—Steven P. Shurtz; Brinks Hofer Gilson & Lione

(**) Term: **14 Years**

(57) **CLAIM**

(21) Appl. No.: **29/202,444**

The ornamental design for an oval confectionary tablet with lettered surface, as shown and described.

(22) Filed: **Mar. 30, 2004**

DESCRIPTION

(30) **Foreign Application Priority Data**

Sep. 30, 2003 (EM) 83324

FIG. 1 is a perspective view of an oval confectionary tablet with lettered surface showing our new design;

(51) **LOC (8) Cl.** **01-01**

FIG. 2 is a right side elevation view of the oval confectionary tablet with lettered surface of FIG. 1, the left side elevation view being identical;

(52) **U.S. Cl.** **D1/127; D24/101**

FIG. 3 is a front elevation view of the oval confectionary tablet with lettered surface of FIG. 1, the rear view being identical;

(58) **Field of Search** D24/101-104; D28/8.1, 8.2; D1/100, 114-115, 121, 127-130; 424/451, 457, 464, 467-474; 426/97-98

FIG. 4 is a top plan view of the oval confectionary tablet with lettered surfaces of FIG. 1; and,

(56) **References Cited**

U.S. PATENT DOCUMENTS

2,312,381 A * 3/1943 Bickenheuser 424/467
3,048,526 A * 8/1962 Boswell 424/472

FIG. 5 is a bottom plan view of the oval confectionary tablet with lettered surface of FIG. 1.

1 Claim, 1 Drawing Sheet

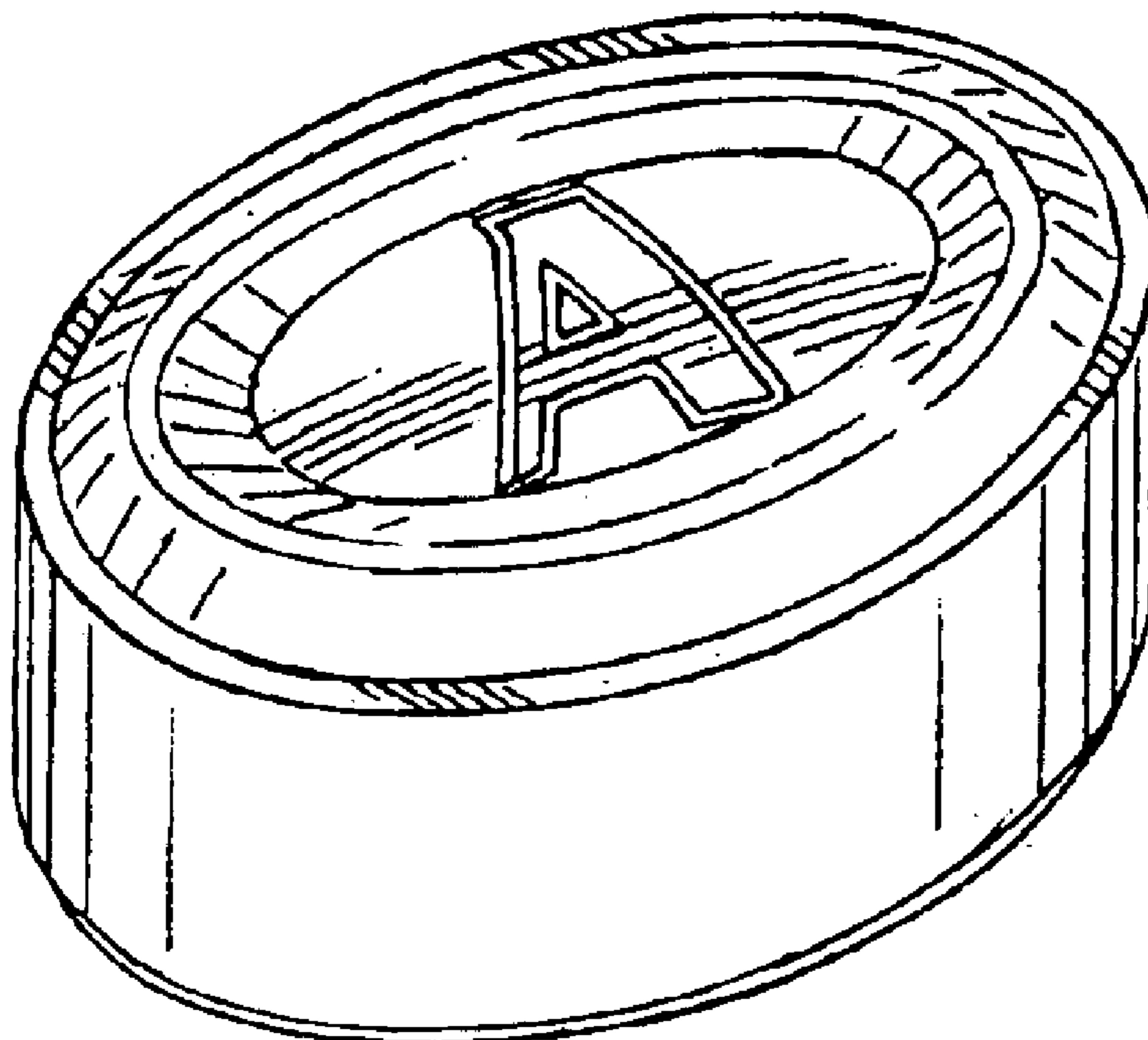


FIG.1

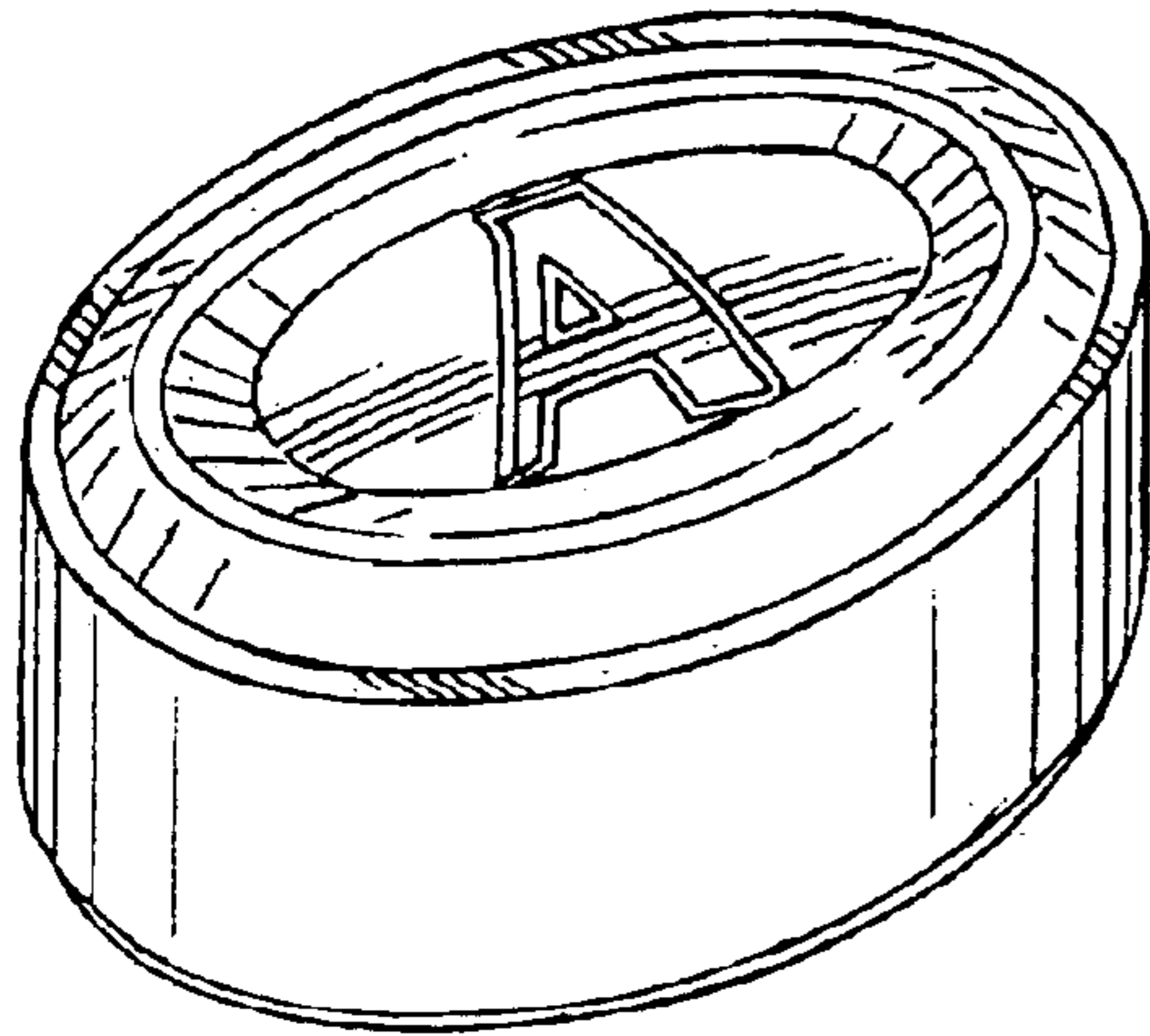


FIG.2

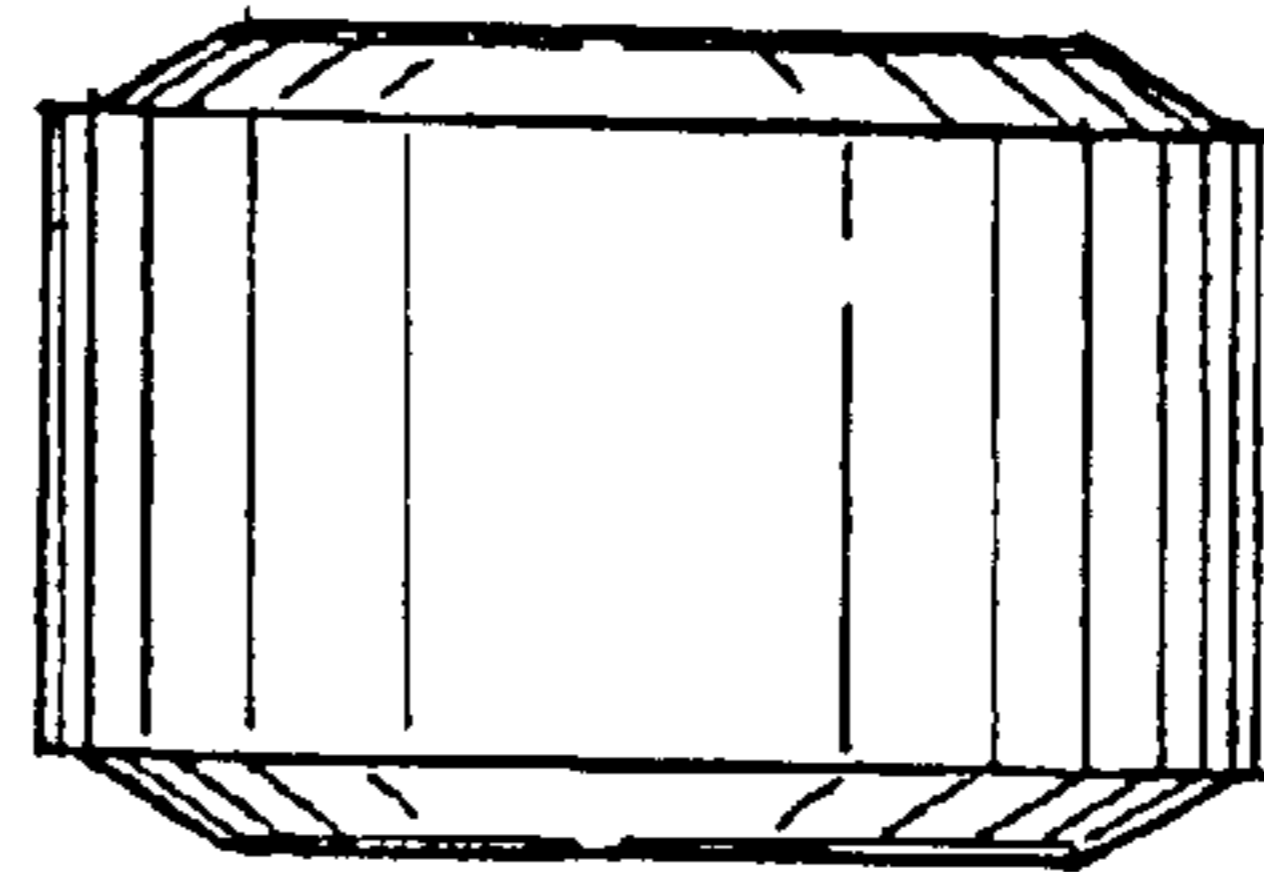


FIG.3

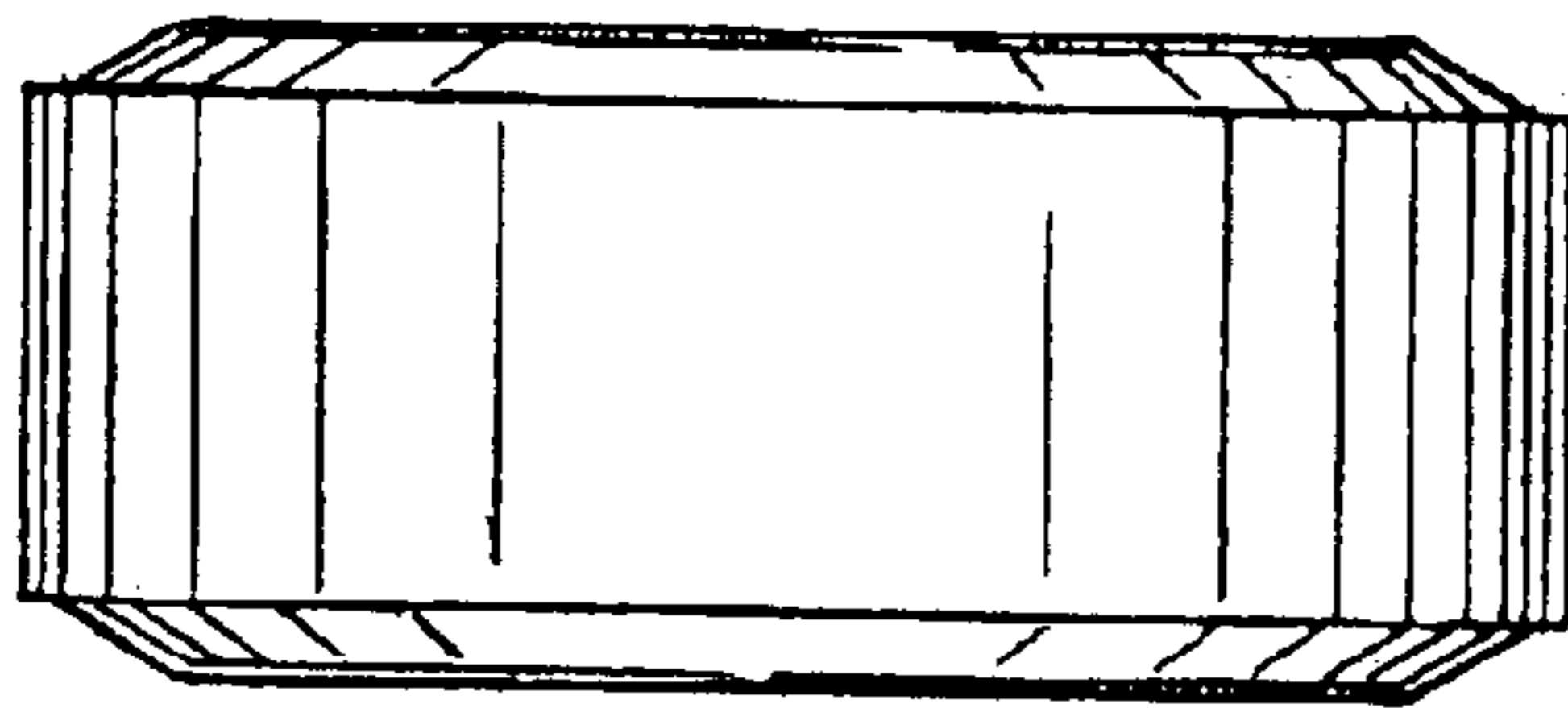


FIG.4

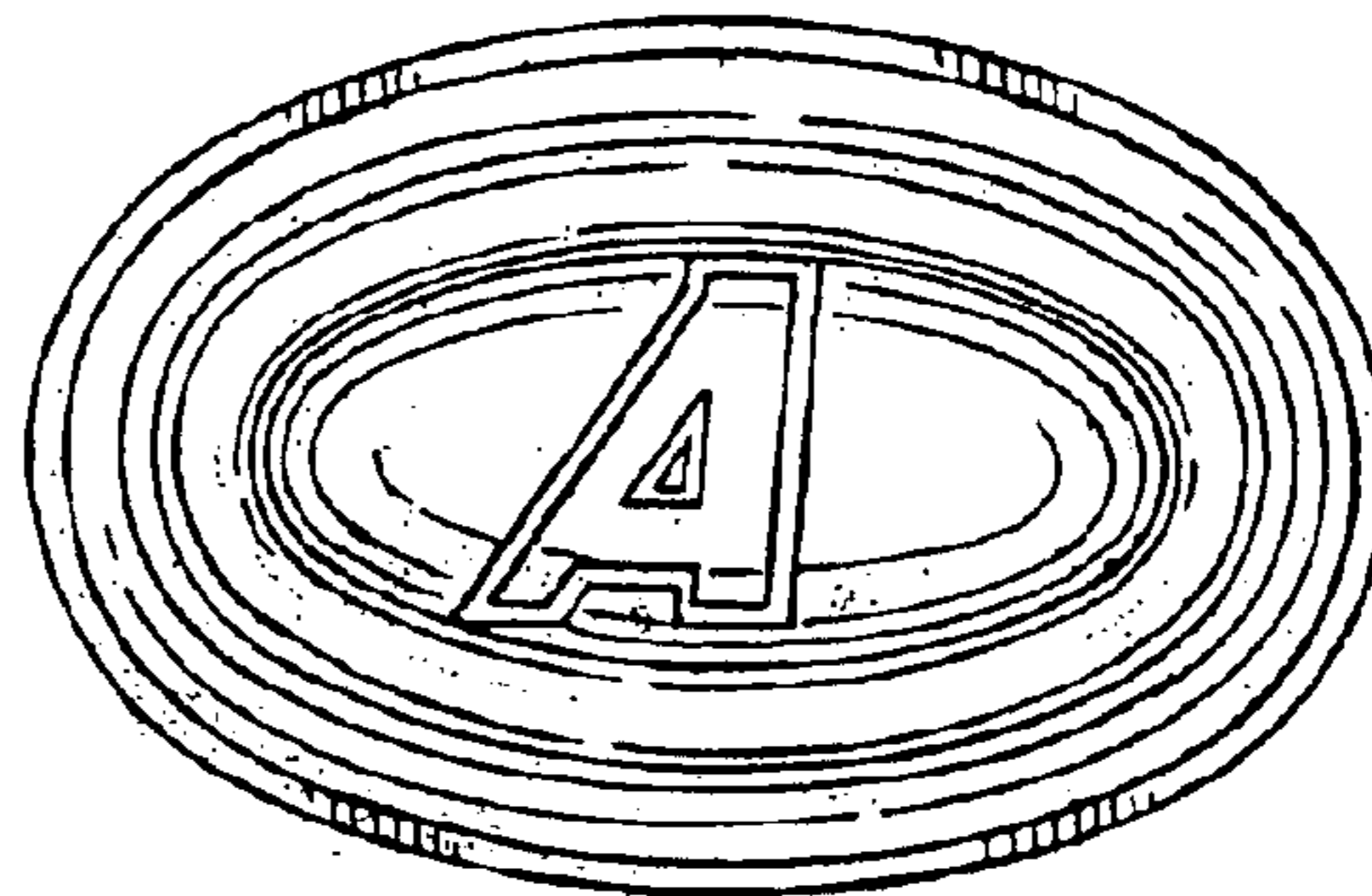


FIG.5

