

US00D509939S

(12) **United States Design Patent**  
**Hay et al.**

(10) **Patent No.: US D509,939 S**

(45) **Date of Patent: \*\* Sep. 20, 2005**

(54) **TOOL STORAGE CENTER**

(75) Inventors: **Michael E. Hay**, Dysart, IA (US);  
**Ramon L. Kemmensen**, Cedar Falls,  
IA (US); **Fred P. Ritchie**, Cedar Falls,  
IA (US); **Steven F. Kohagen**, Waverly,  
IA (US)

(73) Assignee: **Waterloo Industries, Inc.**, Waterloo, IA  
(US)

(\*\*) Term: **14 Years**

(21) Appl. No.: **29/200,336**

(22) Filed: **Feb. 25, 2004**

**Related U.S. Application Data**

(63) Continuation of application No. 29/175,913, filed on Feb.  
13, 2003, now Pat. No. Des. 489,858.

(51) **LOC (8) Cl.** ..... **12-02**

(52) **U.S. Cl.** ..... **D34/20**

(58) **Field of Search** ..... D34/12-27; 280/79.3,  
280/47.35, 79.11; 312/229, 250, 350; D6/440

(56) **References Cited**

**U.S. PATENT DOCUMENTS**

- D349,594 S 8/1994 Bonazza
- D361,910 S \* 9/1995 Maple et al. .... D6/445
- D381,166 S 7/1997 Bonazza
- D411,678 S 6/1999 Di Paolo

- D427,807 S \* 7/2000 Holcomb et al. .... D6/445
- D457,704 S \* 5/2002 Fiscus et al. .... D34/20
- D489,858 S \* 5/2004 Hay et al. .... D34/20
- 2001/0035702 A1 11/2001 Murphy et al.

\* cited by examiner

*Primary Examiner*—Cynthia E. Ramirez

(74) *Attorney, Agent, or Firm*—Calfee, Halter & Griswold,  
LLP

(57) **CLAIM**

The ornamental design for a tool storage center, as shown  
and described.

**DESCRIPTION**

FIG. 1 is a perspective view of a tool storage center of the  
new design;

FIG. 2 is a top view of the design shown in FIG. 1;

FIG. 3 is a front view of the design shown in FIG. 1;

FIG. 4 is a side view of the design shown in FIG. 1;

FIG. 5 is a side view of the design shown in FIG. 1;

FIG. 6 is a back view of the design shown in FIG. 1;

FIG. 7 is a perspective view of a second embodiment of a  
tool storage center of the new design;

FIG. 8 is a top view of the design shown in FIG. 7;

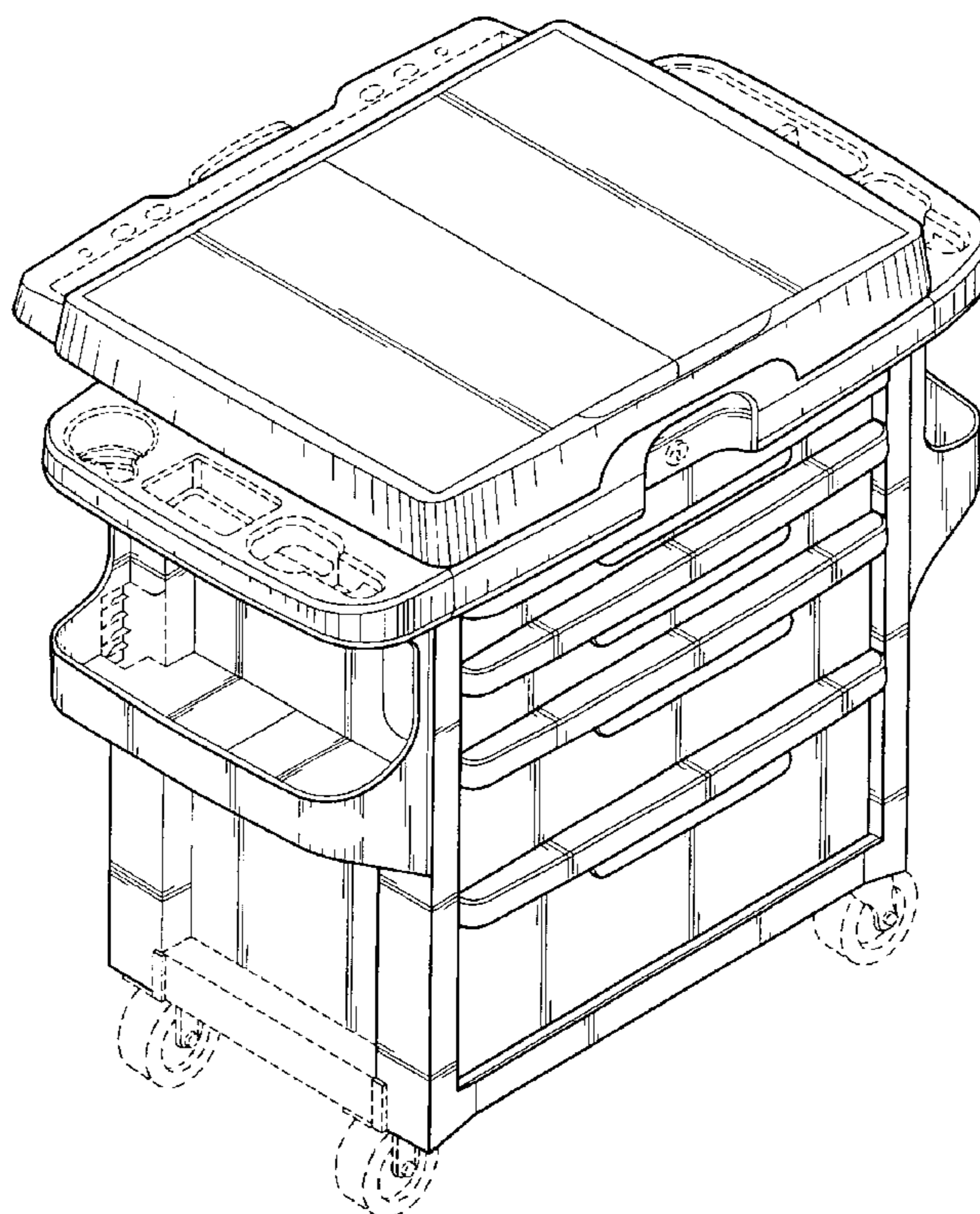
FIG. 9 is a front view of the design shown in FIG. 7;

FIG. 10 is a side view of the design shown in FIG. 7;

FIG. 11 is a side view of the design shown in FIG. 7; and,

FIG. 12 is a back view of the design shown in FIG. 7.

**1 Claim, 8 Drawing Sheets**



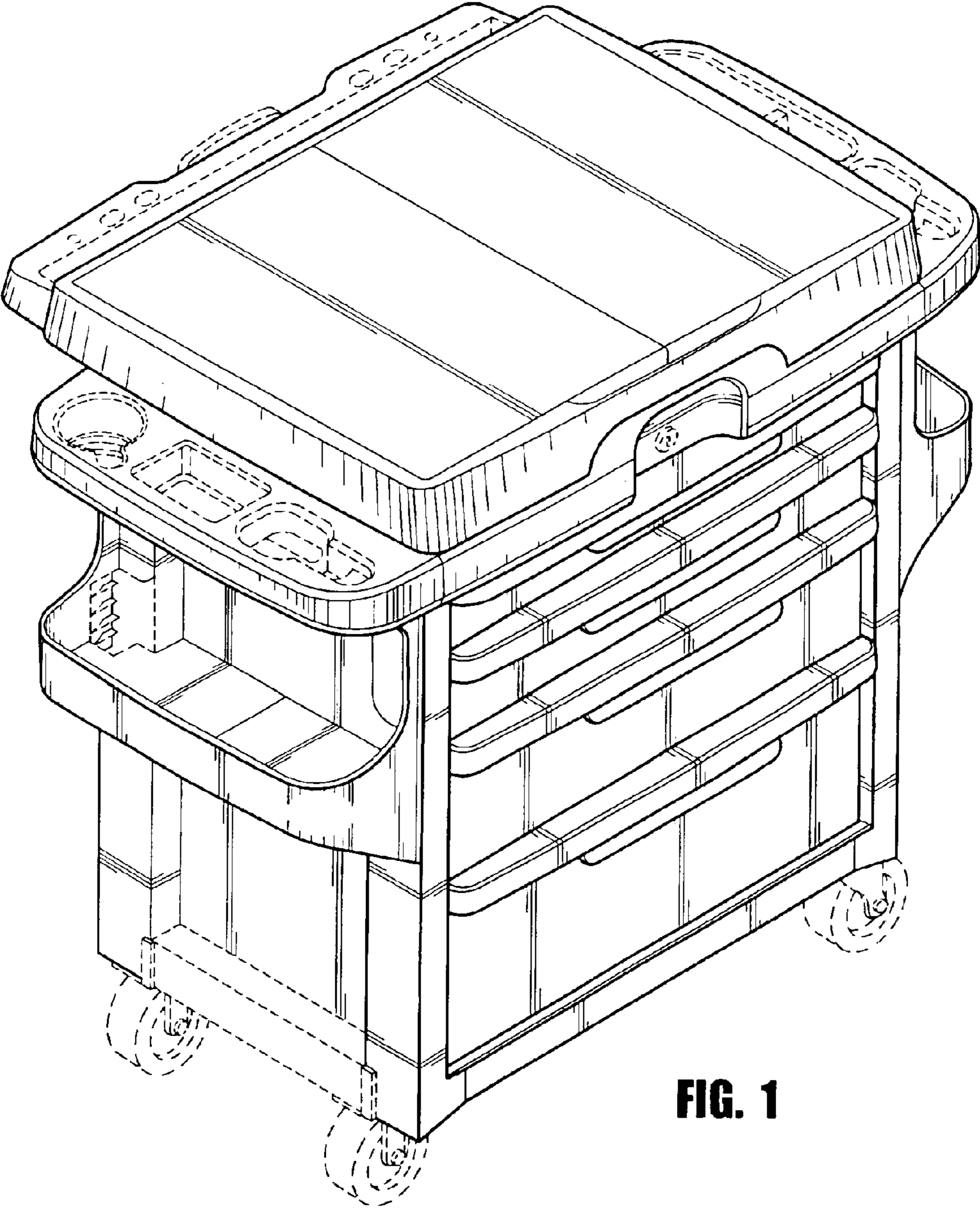
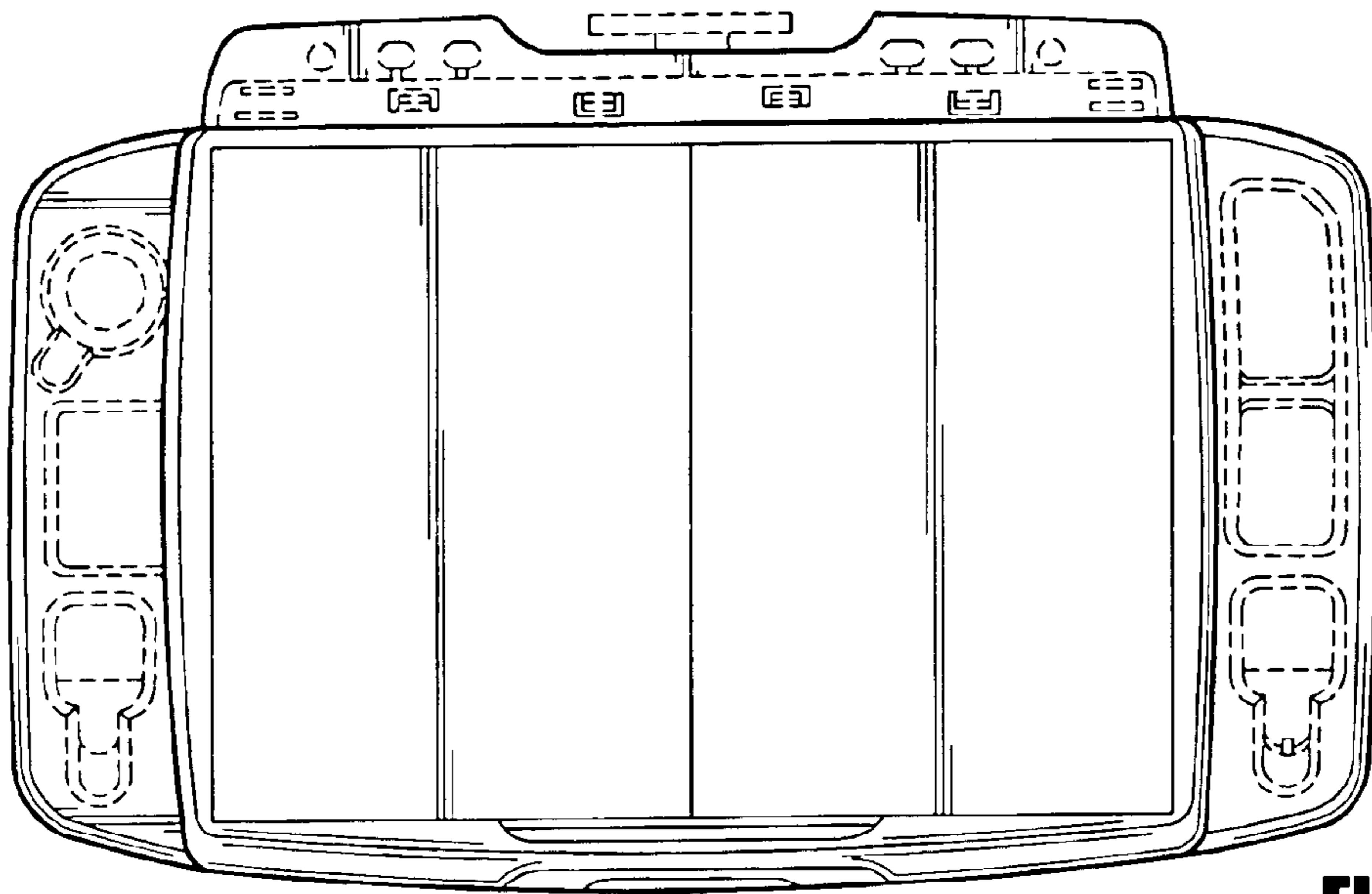
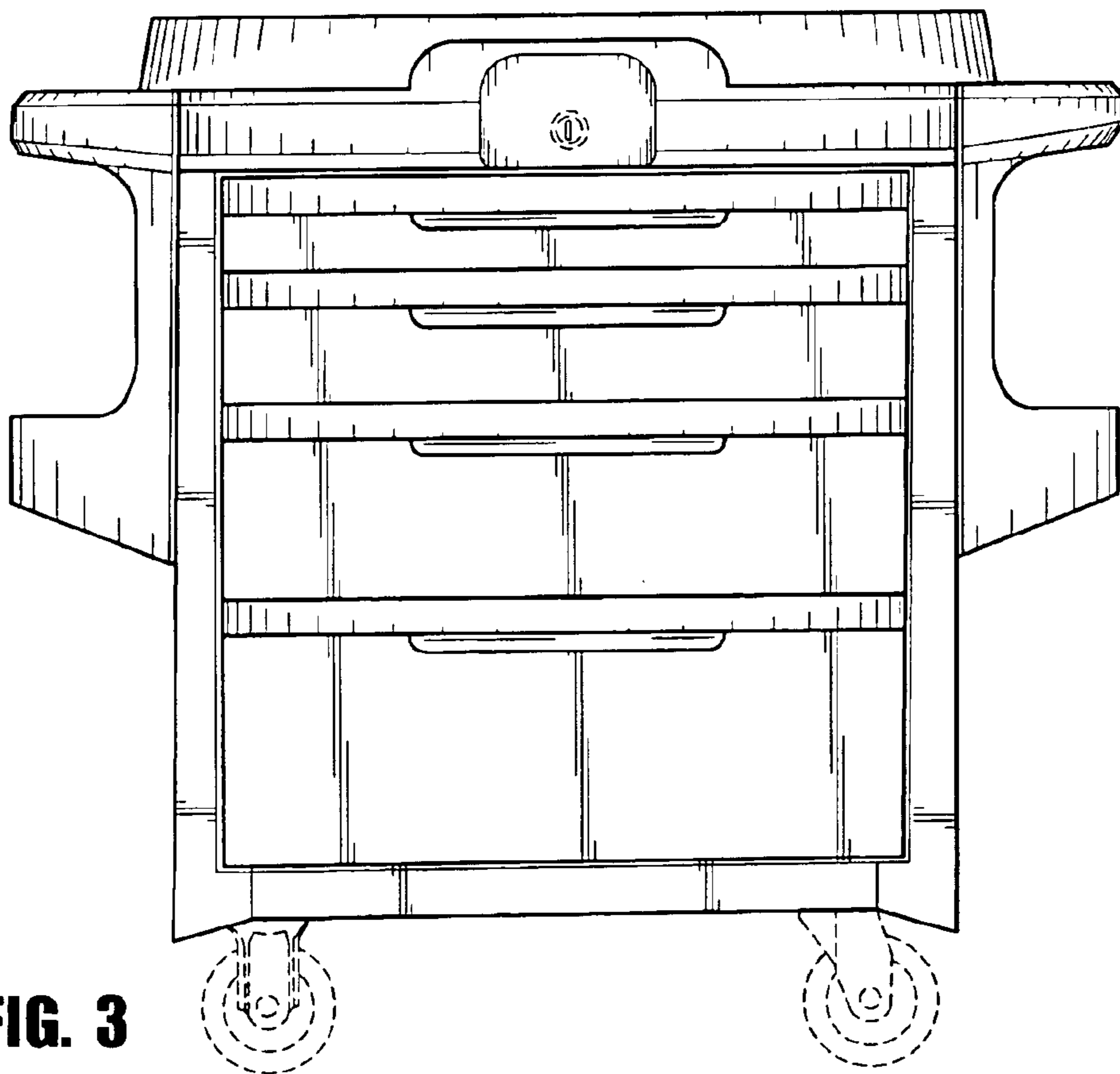


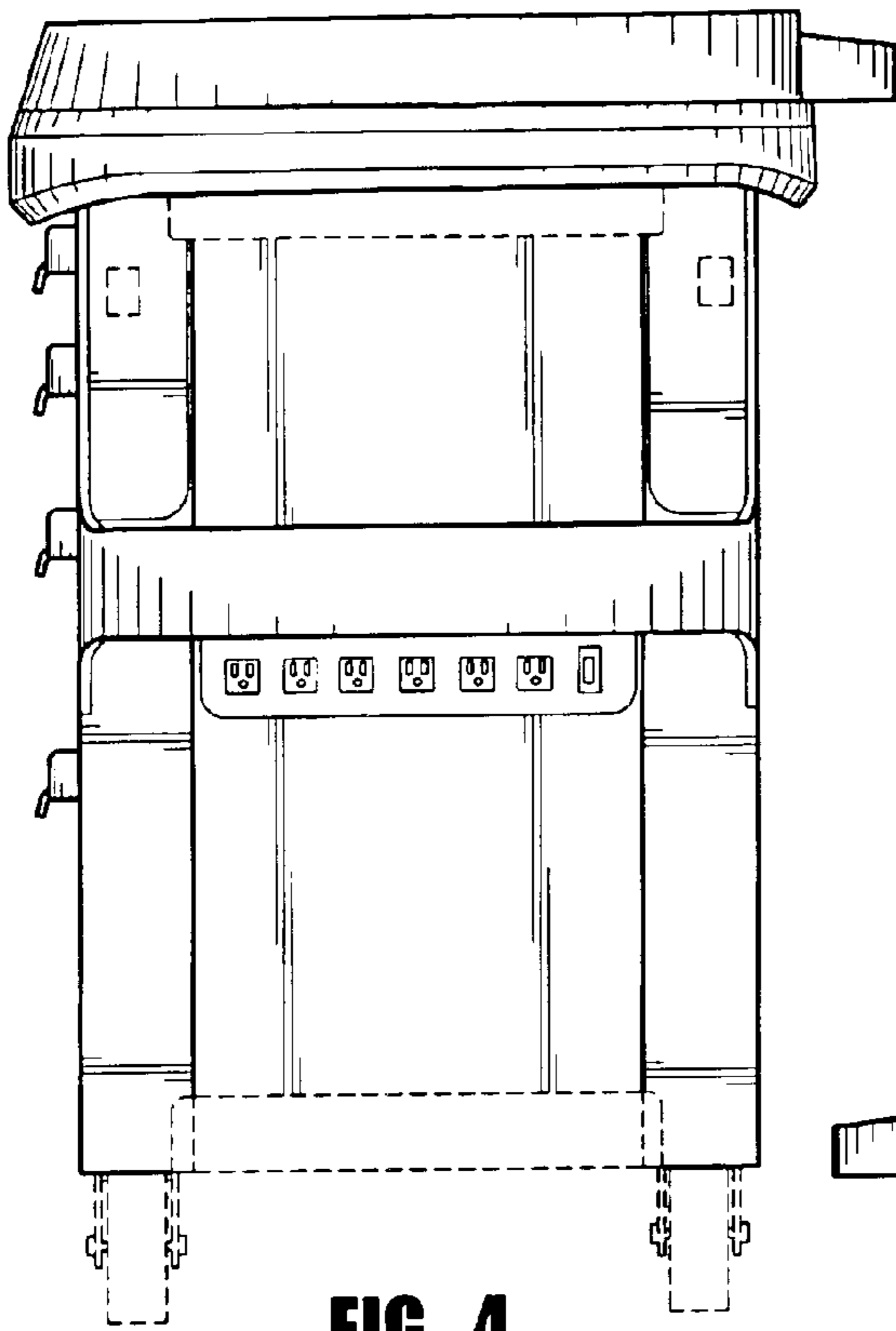
FIG. 1



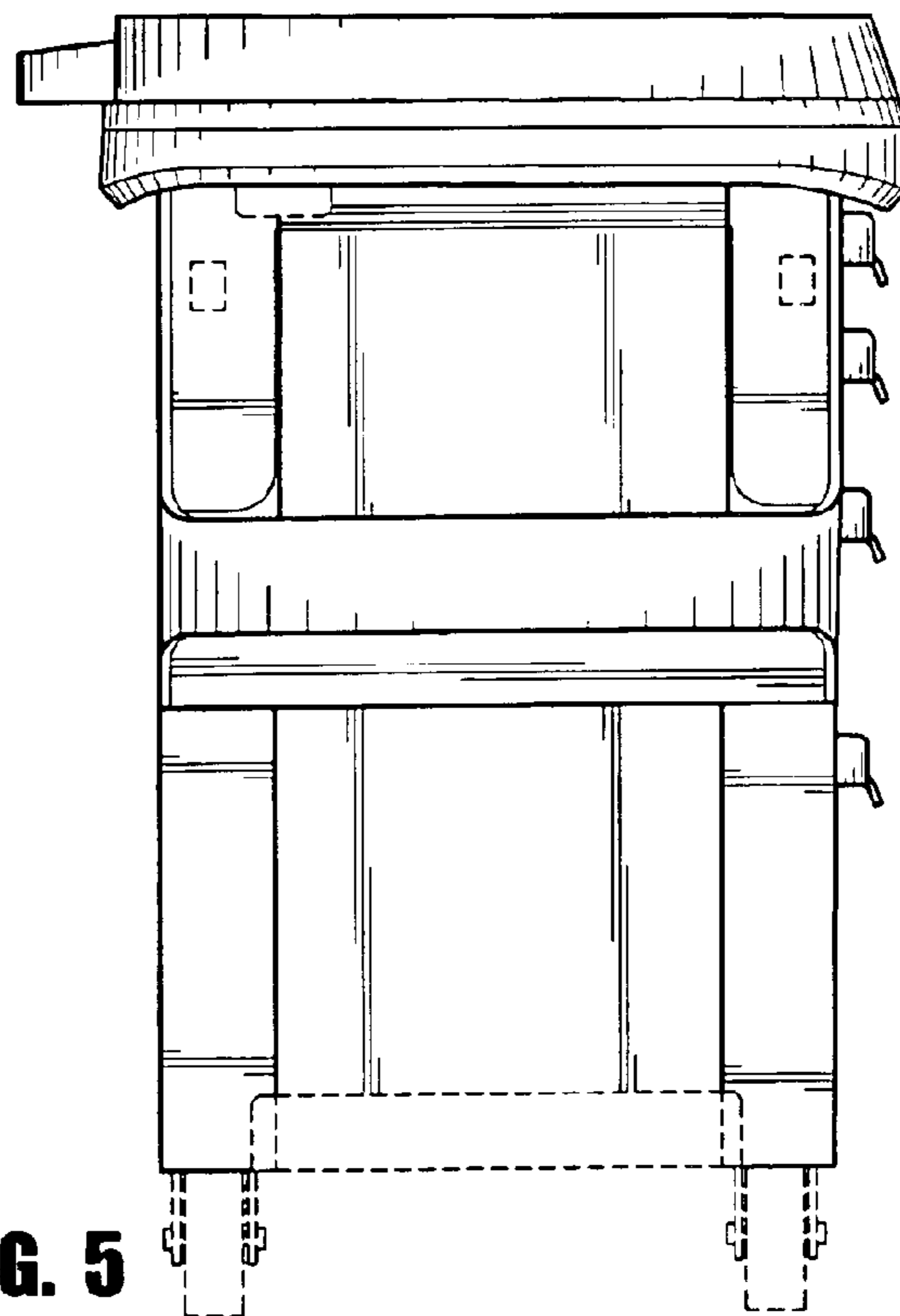
**FIG. 2**



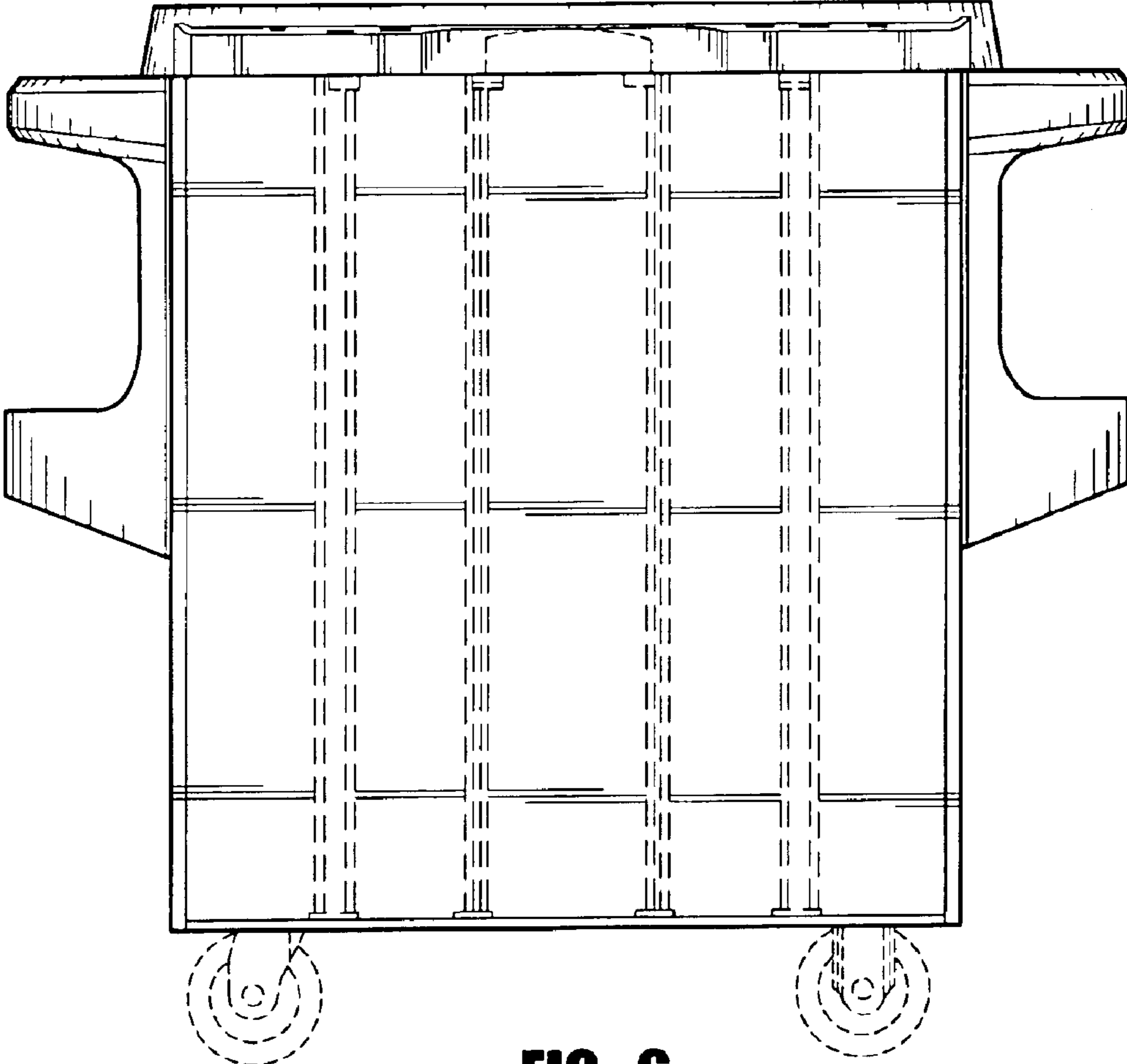
**FIG. 3**



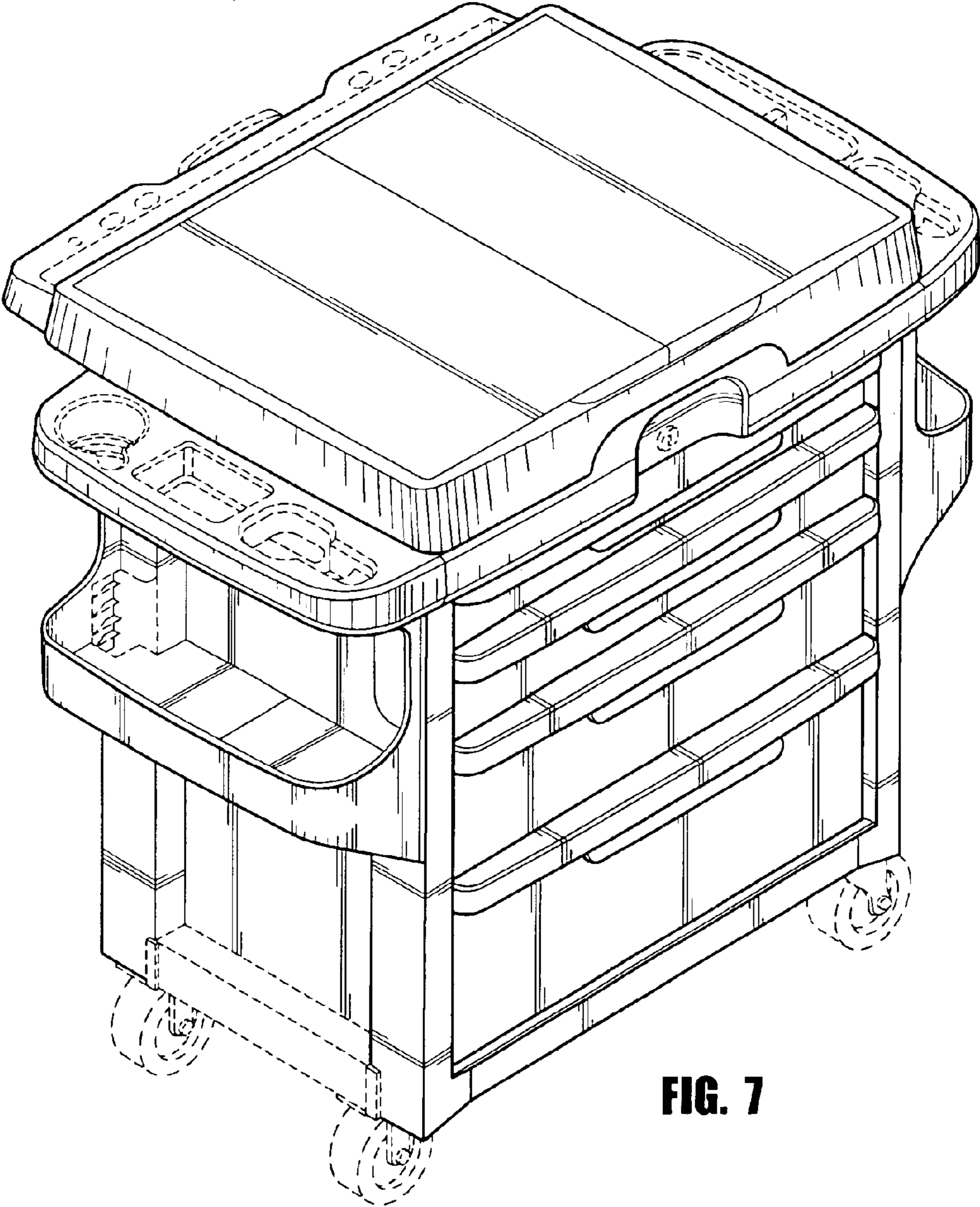
**FIG. 4**



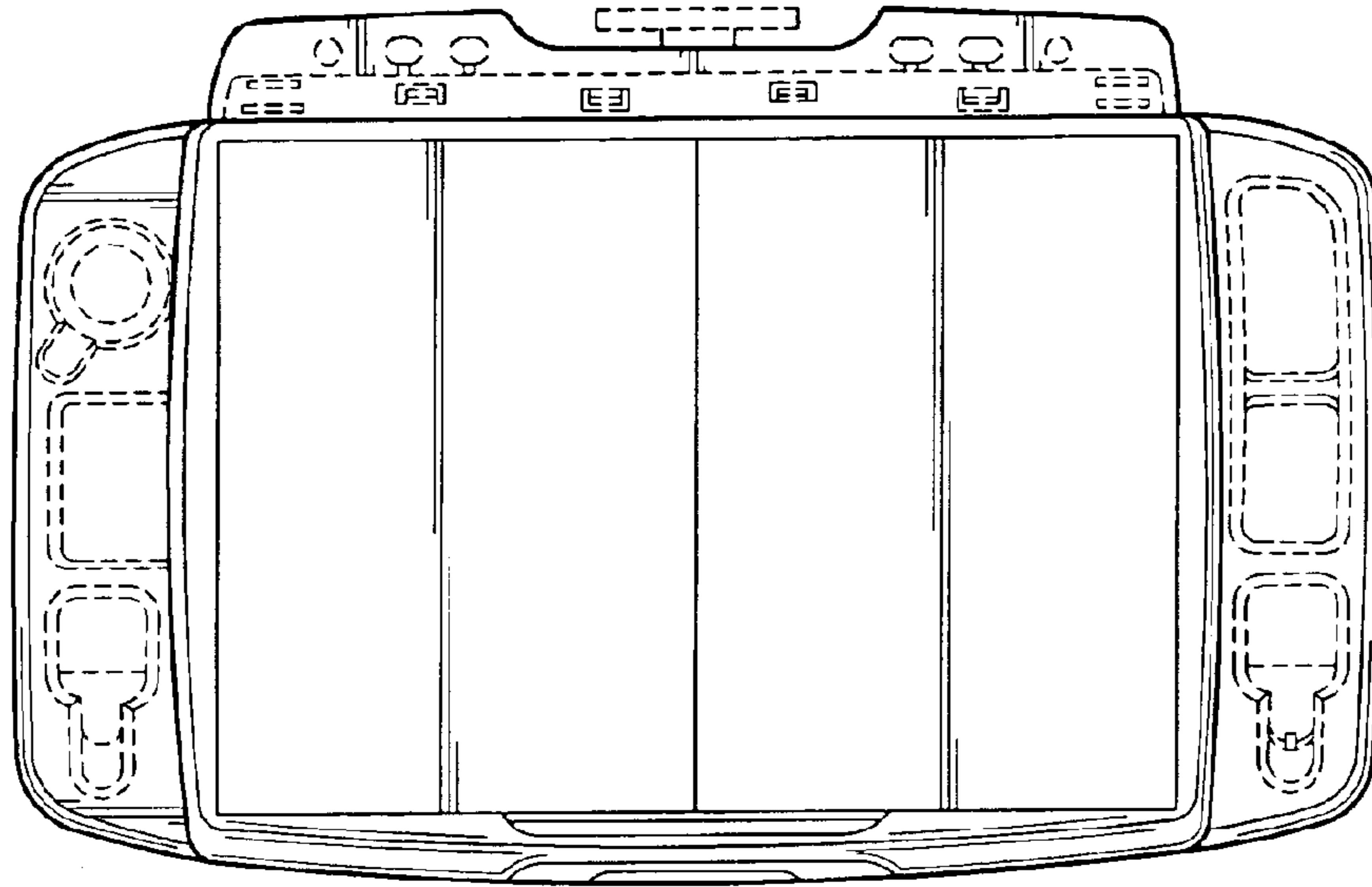
**FIG. 5**



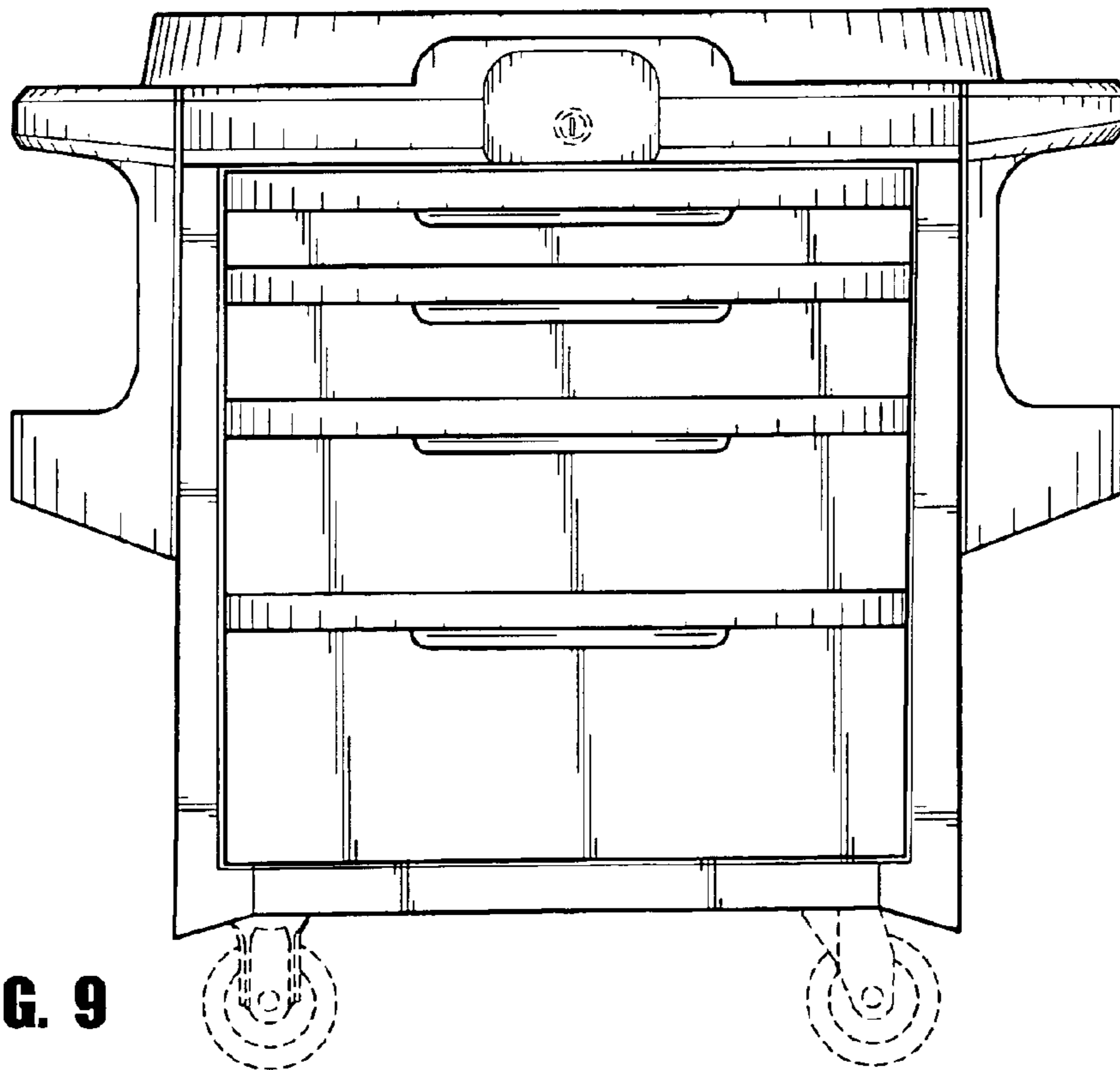
**FIG. 6**



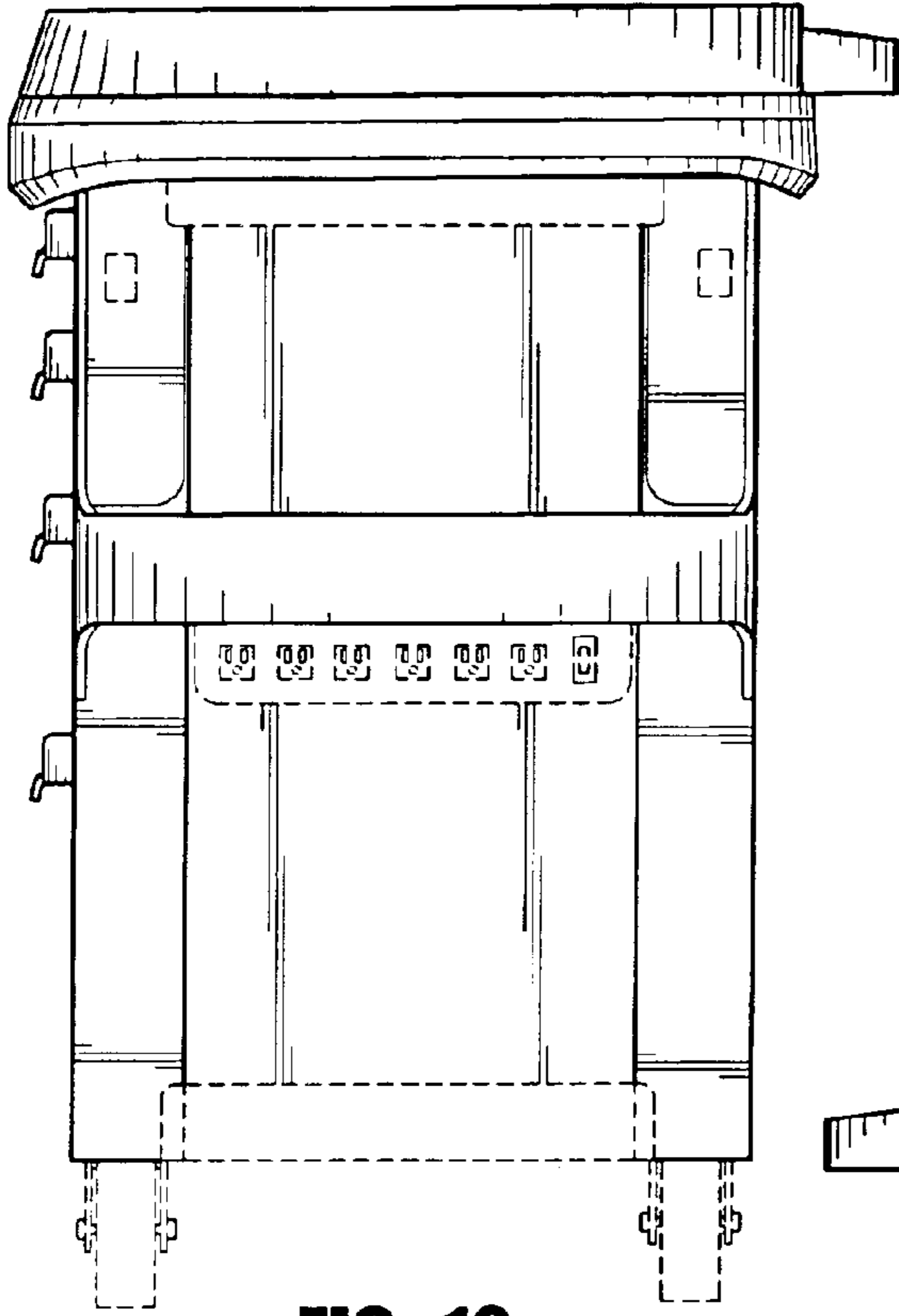
**FIG. 7**



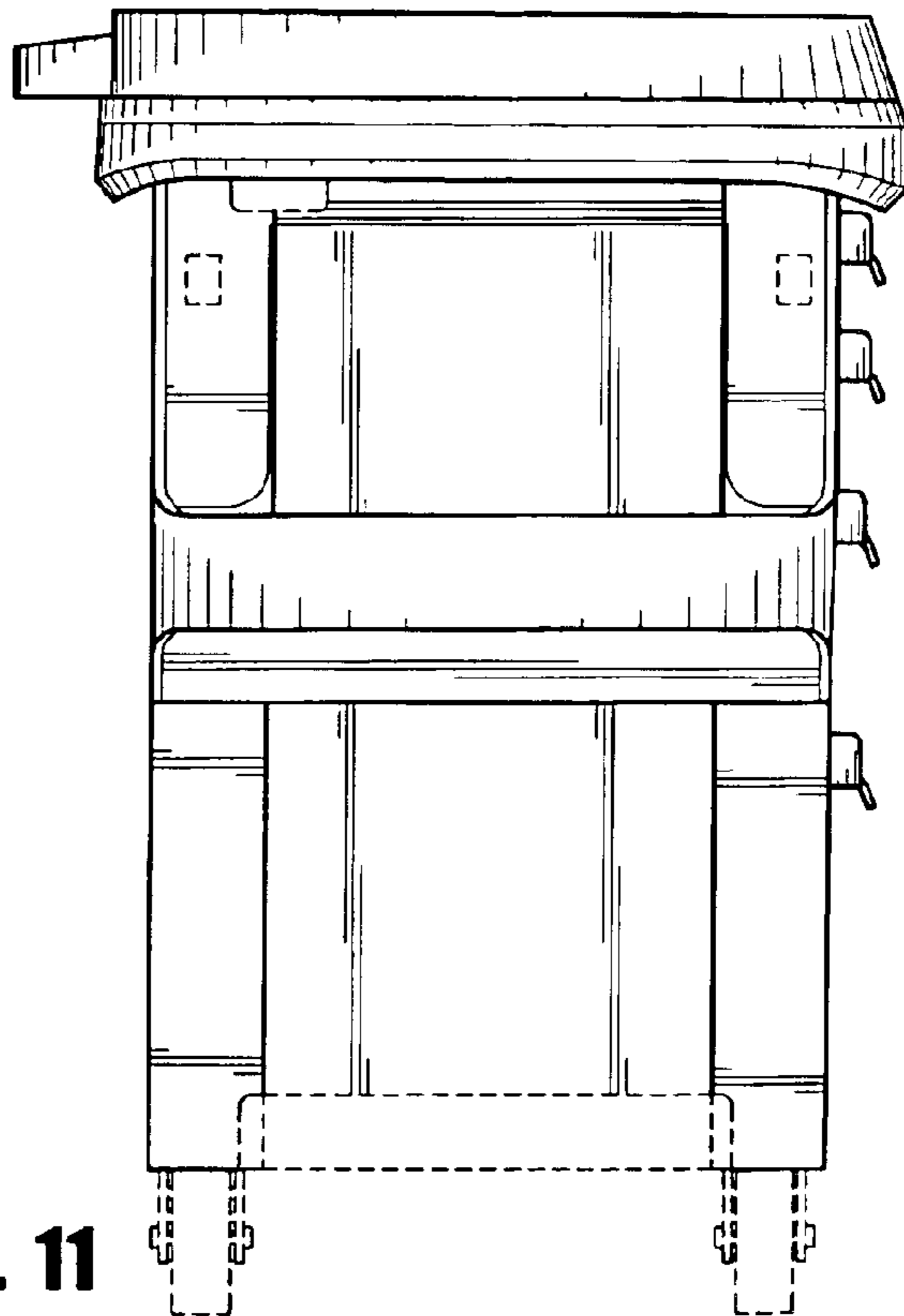
**FIG. 8**



**FIG. 9**

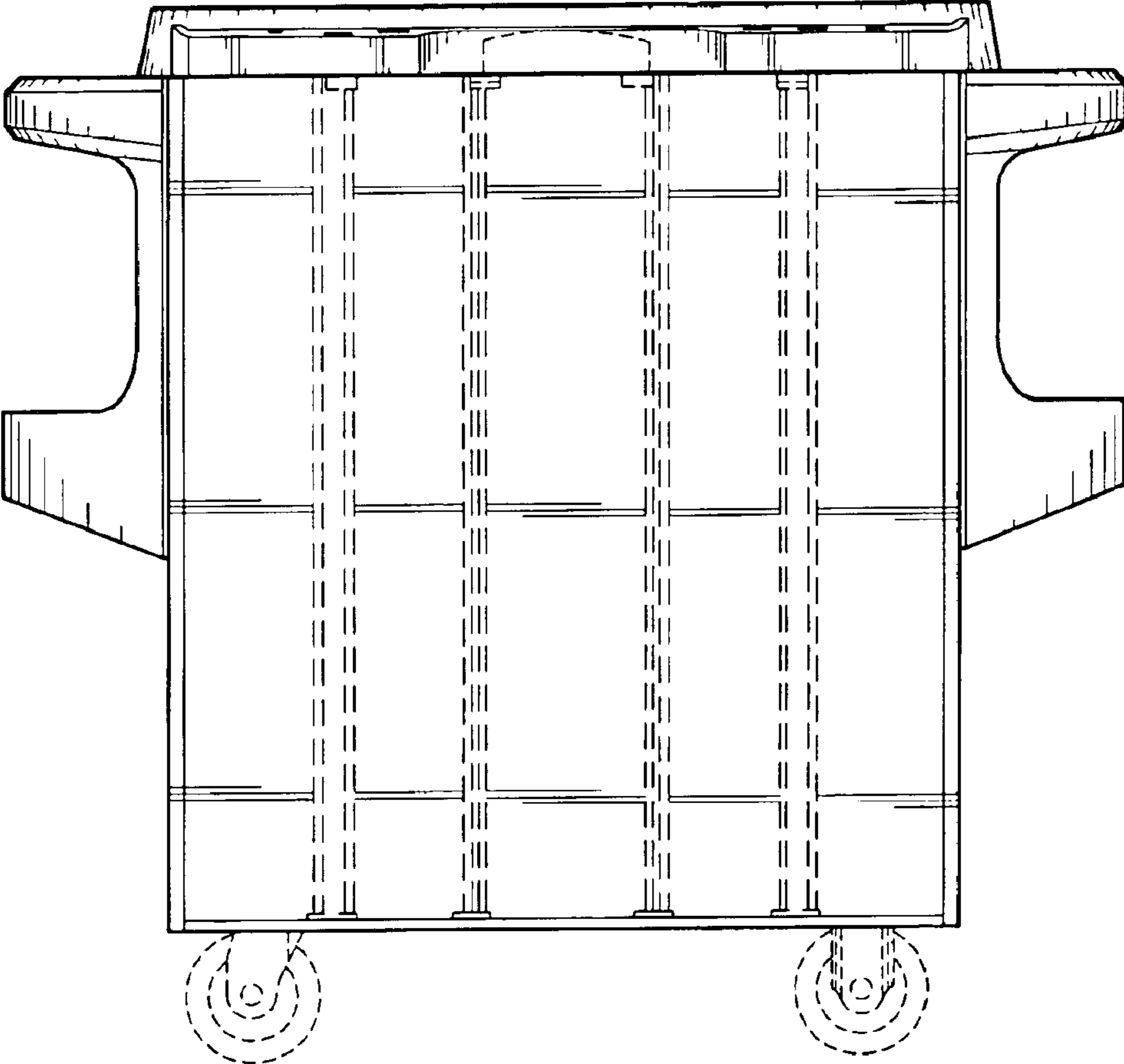


**FIG. 10**



**FIG. 11**





**FIG. 12**

UNITED STATES PATENT AND TRADEMARK OFFICE  
**CERTIFICATE OF CORRECTION**

PATENT NO. : Des. 509,939 S  
DATED : September 20, 2005  
INVENTOR(S) : Hay et al.

Page 1 of 1

It is certified that error appears in the above-identified patent and that said Letters Patent is hereby corrected as shown below:

Title page.

Item [75], Inventor, "**Kemmensen**" should read -- **Klemmensen** -- .

Signed and Sealed this

Twenty-fourth Day of January, 2006

A handwritten signature in black ink on a light gray dotted background. The signature reads "Jon W. Dudas" in a cursive style.

JON W. DUDAS

*Director of the United States Patent and Trademark Office*