

US00D509938S

(12) **United States Design Patent** (10) **Patent No.:** **US D509,938 S**  
**Belmont et al.** (45) **Date of Patent:** **\*\* Sep. 20, 2005**

(54) **CART FOR INSECT TRAP THAT UTILIZES PROPANE GAS**

(75) Inventors: **Richard E. Belmont**, Winston-Salem, NC (US); **Richard E. Achor**, Winston-Salem, NC (US)

(73) Assignee: **CPD Associates, Inc.**, Winston-Salem, NC (US)

(\*\*) Term: **14 Years**

(21) Appl. No.: **29/183,970**

(22) Filed: **Jun. 19, 2003**

(51) **LOC (8) Cl.** ..... **12-02**

(52) **U.S. Cl.** ..... **D34/12; D34/27**

(58) **Field of Search** ..... D34/12-27; 280/47.12, 280/47.17, 47.19, 47.24, 47.26, 47.29, 79.5; 137/355.27

(56) **References Cited**

**U.S. PATENT DOCUMENTS**

4,137,939	A	*	2/1979	Chow	.....	137/355.27
D361,186	S	*	8/1995	Kowalski et al.	.....	D34/12
D393,127	S	*	3/1998	Vidmar	.....	D34/12
5,758,886	A	*	6/1998	Mayer	.....	280/47.26
6,022,032	A	*	2/2000	Savage	.....	280/47.24
6,116,623	A	*	9/2000	Salvucci	.....	280/47.26

D444,279 S \* 6/2001 Kristiansen et al. .... D34/12

\* cited by examiner

*Primary Examiner*—Kay H. Chin

(74) *Attorney, Agent, or Firm*—Greer, Burns & Crain, Ltd.

(57) **CLAIM**

The ornamental design for a cart for insect trap that utilizes propane gas, as shown and described.

**DESCRIPTION**

FIG. 1 is a perspective elevational view of a cart for insect trap that utilizes propane gas, the design being characterized by providing support for a side-by-side arrangement of the propane tank with the insect trap so that the top of the tank and top of the trap are approximately horizontally aligned and wherein the legs and handle are integral parts of the cart, with the handle located between the two legs.

FIG. 2 is a front view of the cart shown in FIG. 1, the back being a mirror image thereof;

FIG. 3 is a left side view of same;

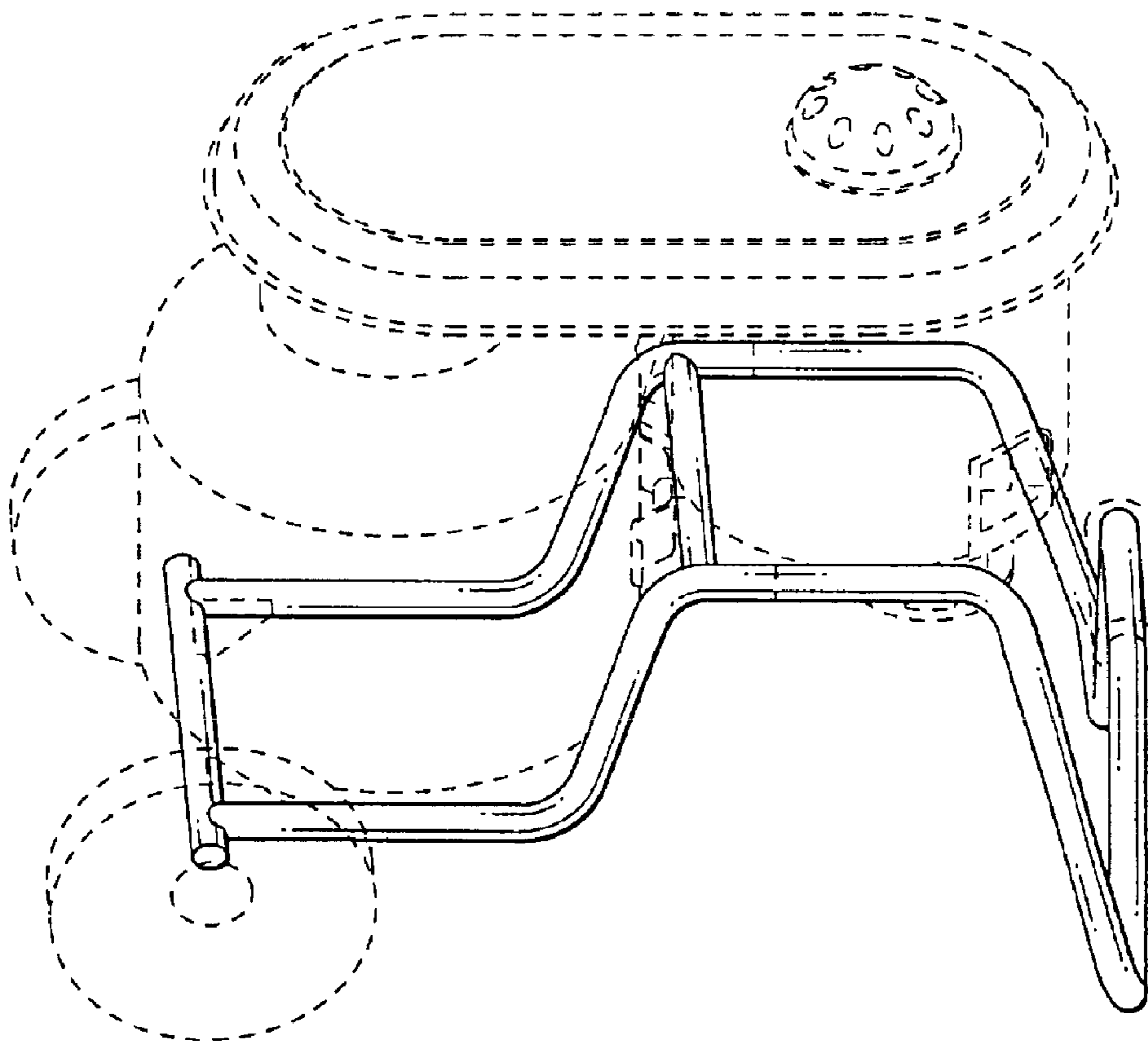
FIG. 4 is a right side view thereof;

FIG. 5 is a top view thereof; and,

FIG. 6 is a bottom view thereof.

The cover, insect trap, trap cup, propane tank, handle grip, axle, standoff, wheels and controls are shown in dashed lines are not a part of this design.

**1 Claim, 5 Drawing Sheets**



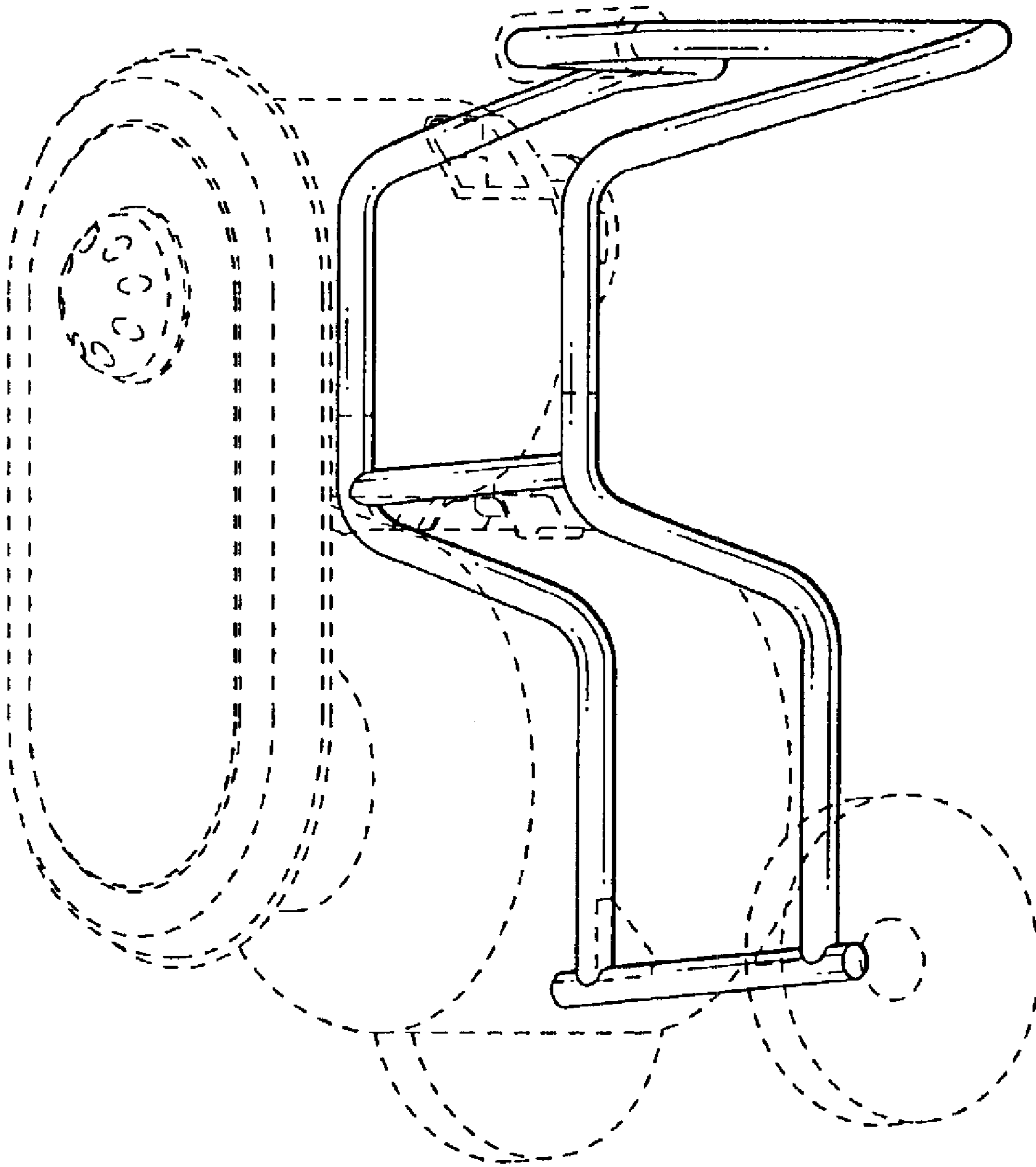


FIG. 1

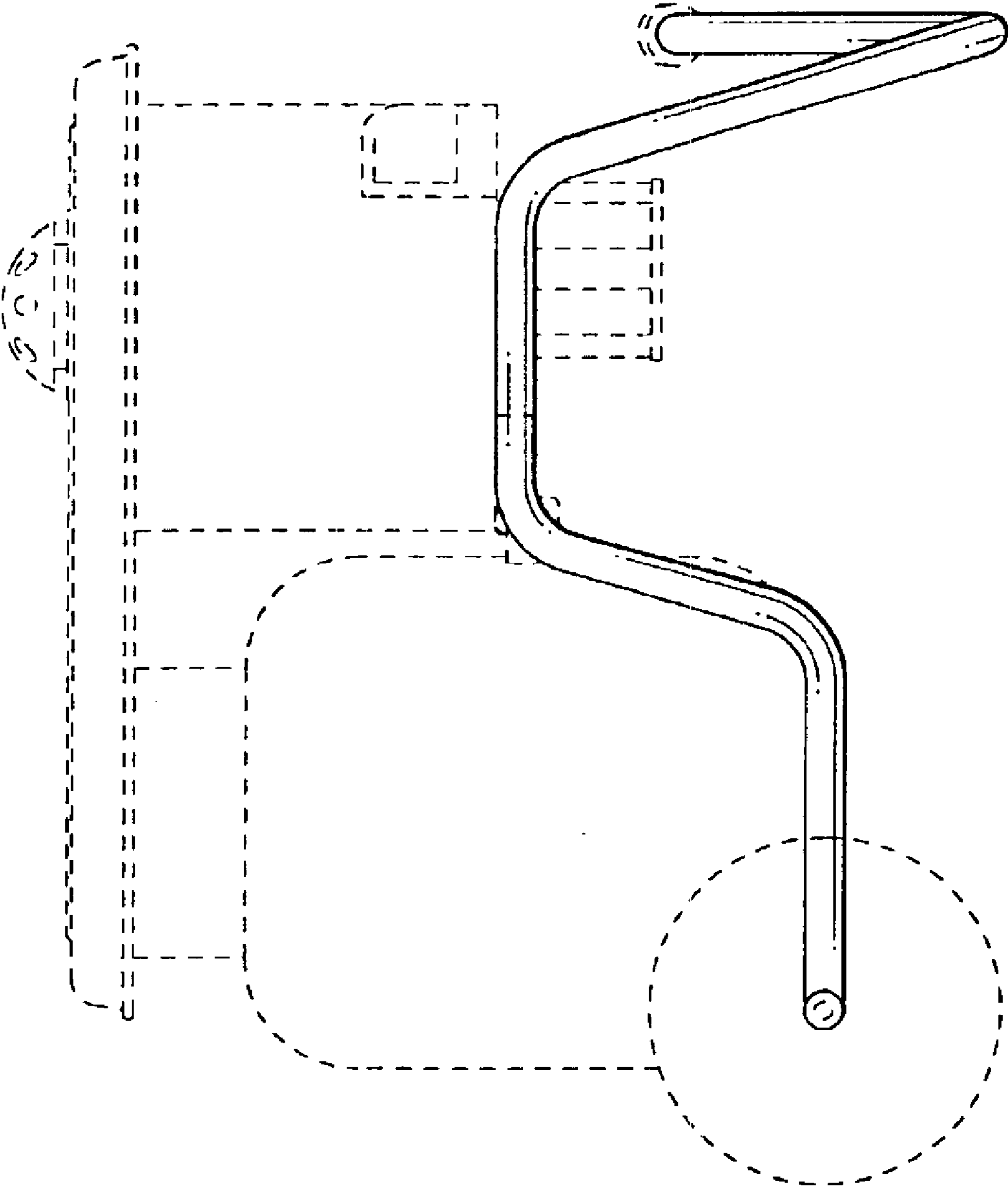


FIG. 2

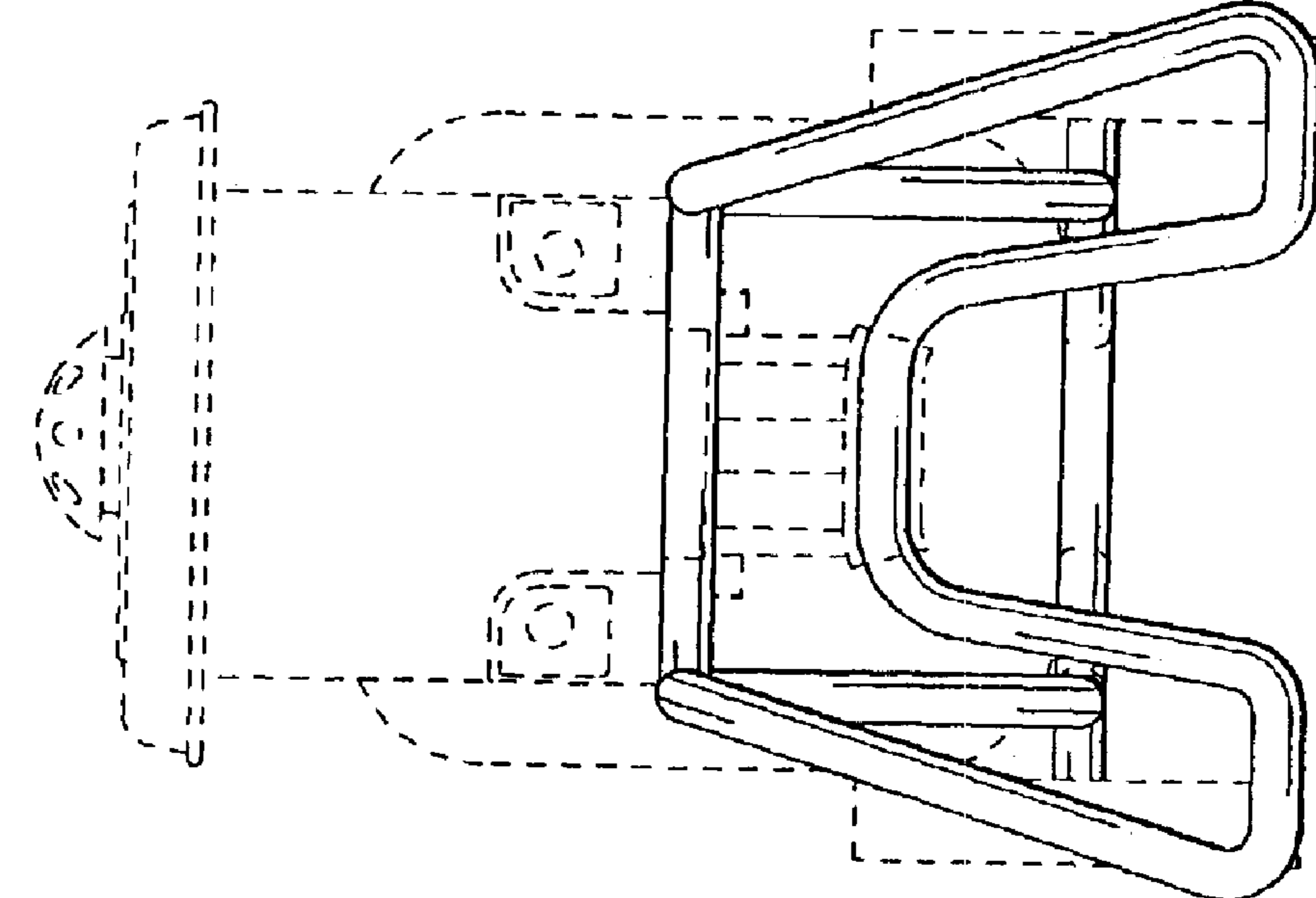


FIG. 3

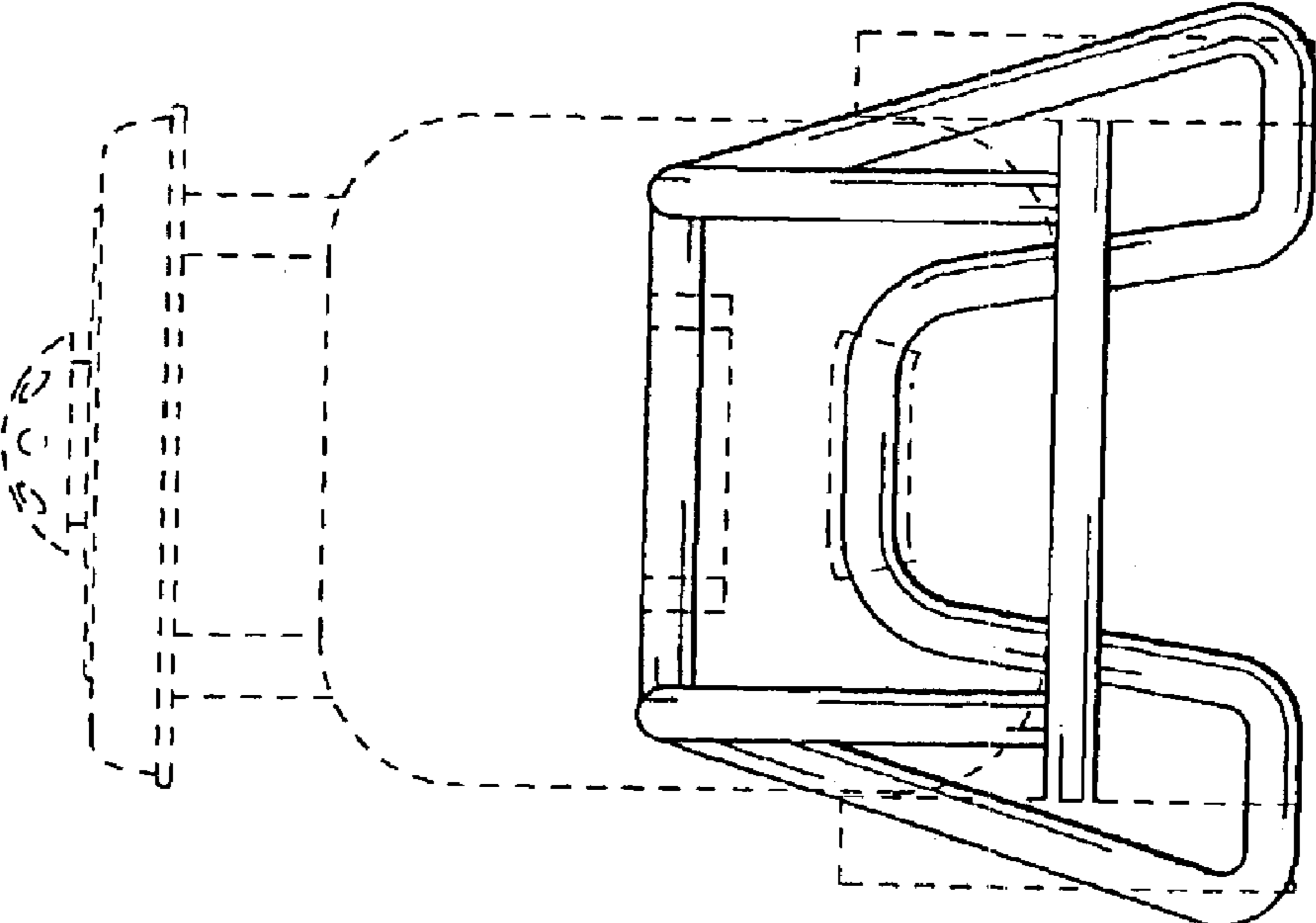


FIG. 4

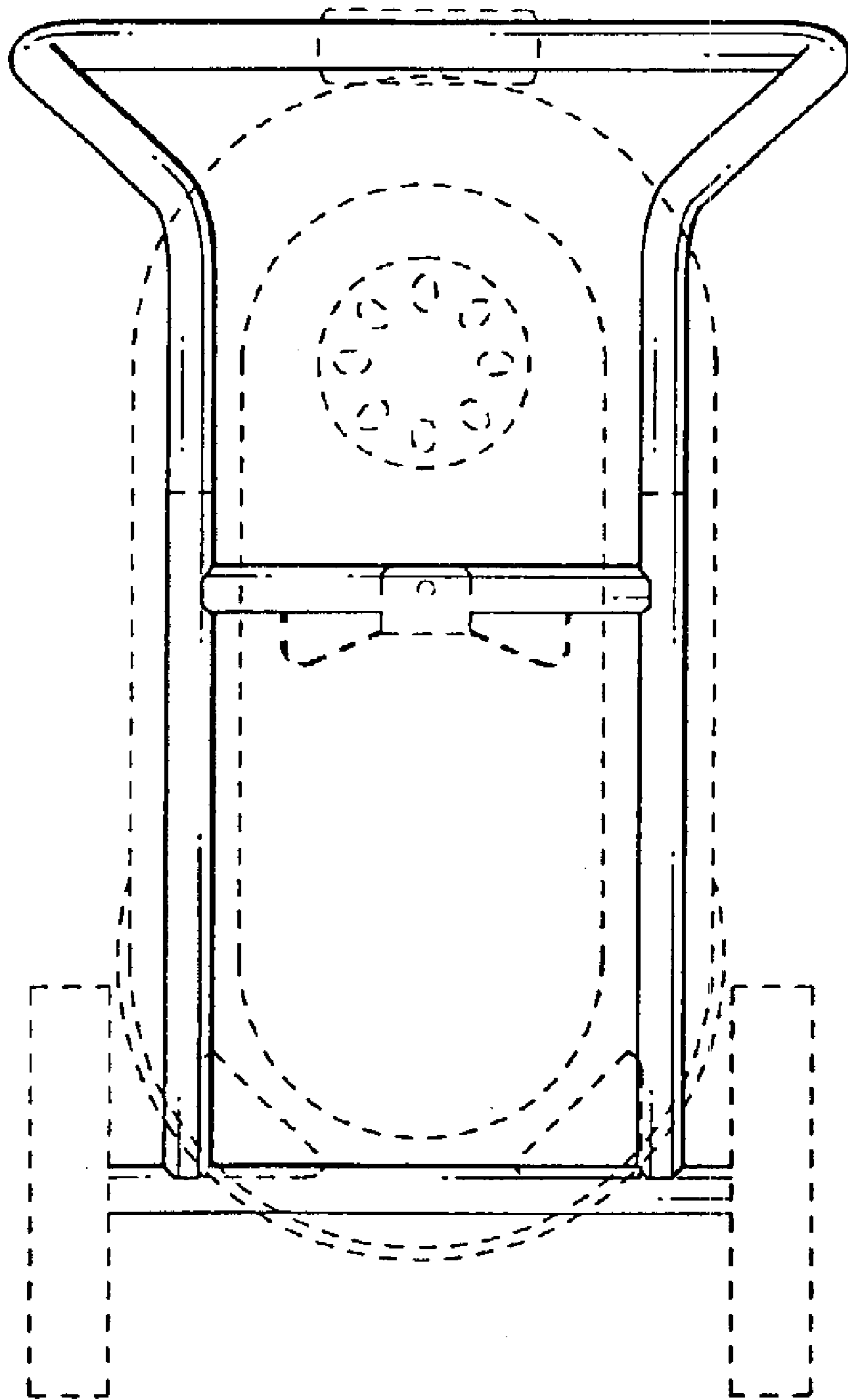


FIG. 5

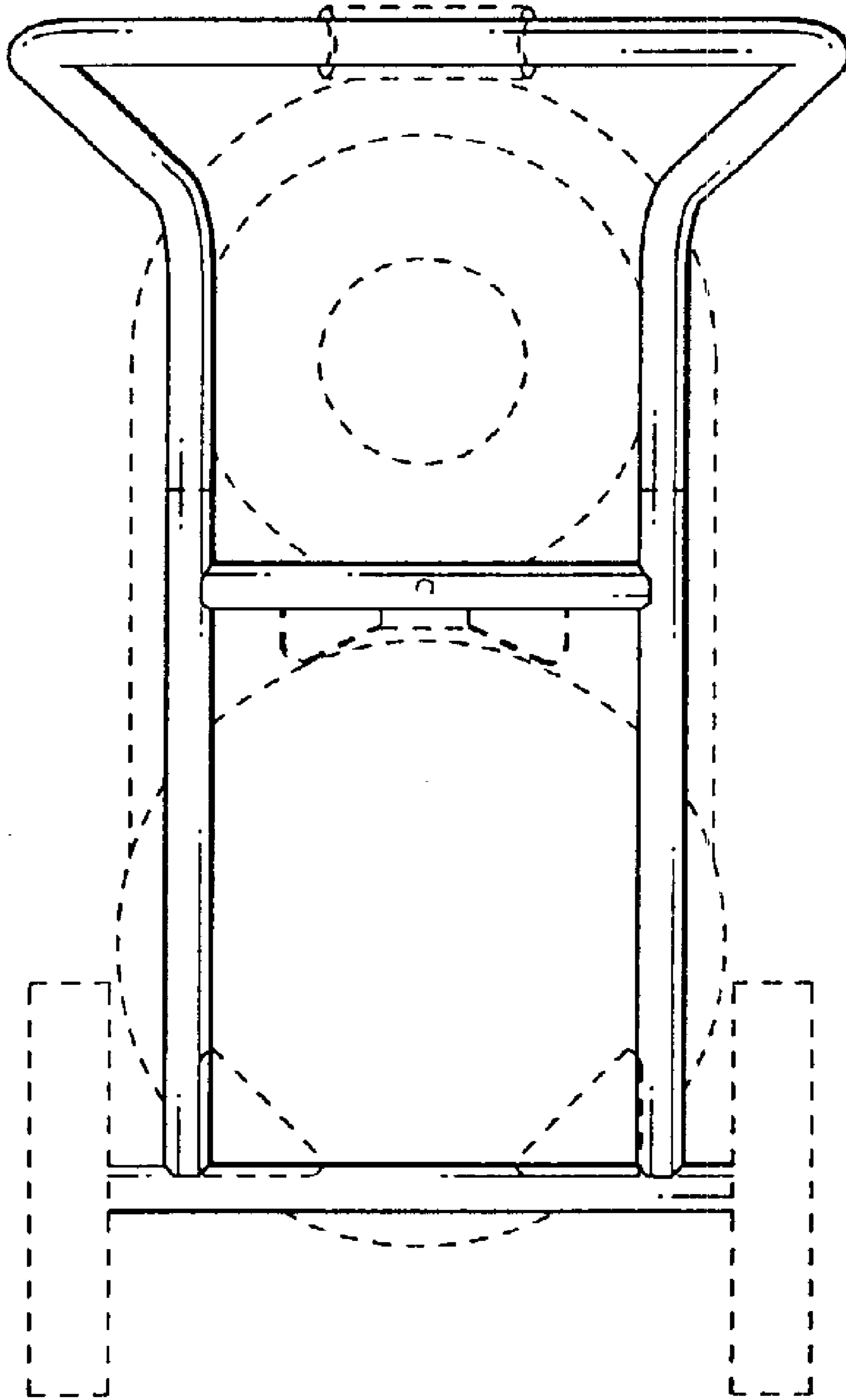


FIG. 6