



US00D509934S

(12) **United States Design Patent** (10) **Patent No.:** **US D509,934 S**
Santiago et al. (45) **Date of Patent:** **** Sep. 20, 2005**

(54) **BARE FLOOR CLEANER HANDLE**

(75) Inventors: **Jose Carlito Santiago**, Grand Rapids, MI (US); **Kevin T. Downey**, Grand Rapids, MI (US); **Tommy L. Knight**, Boyne City, MI (US)

(73) Assignee: **Bissell Home Care, Inc.**, Grand Rapids, MI (US)

(**) Term: **14 Years**

(21) Appl. No.: **29/201,720**

(22) Filed: **Mar. 19, 2004**

(51) **LOC (8) Cl.** **15-05**

(52) **U.S. Cl.** **D32/31; D32/22**

(58) **Field of Search** D32/22, 30-34; 15/320-321, 347, 350-351, 353, 361, 410, 412, 414, 246.2, DIG. 8; 55/318, 337, 400, DIG. 3, 429, 459.1, 345, 447; 95/271, 268; 210/512.1, 512.2

(56) **References Cited**

U.S. PATENT DOCUMENTS

- 4,665,582 A 5/1987 Richmond et al.
- D292,636 S 11/1987 Goodrich et al.
- D303,171 S 8/1989 Goodrich et al.
- D359,604 S * 6/1995 Sovis et al. D32/22
- D377,697 S * 1/1997 Stephens et al. D32/31

- D382,681 S * 8/1997 Thomas D32/22
- D382,682 S * 8/1997 Wareham et al. D32/22
- D399,618 S * 10/1998 Jacobs D32/22
- 5,974,625 A 11/1999 Garner
- D418,266 S 12/1999 Medema et al.
- 6,101,668 A 8/2000 Grey
- D456,964 S * 5/2002 Alford et al. D32/31
- D468,498 S * 1/2003 Santiago et al. D32/31
- D482,506 S * 11/2003 Honda et al. D32/22
- 2003/0051310 A1 3/2003 Morgan et al.

* cited by examiner

Primary Examiner—Ruth McInroy

(74) *Attorney, Agent, or Firm*—McGarry Bair PC

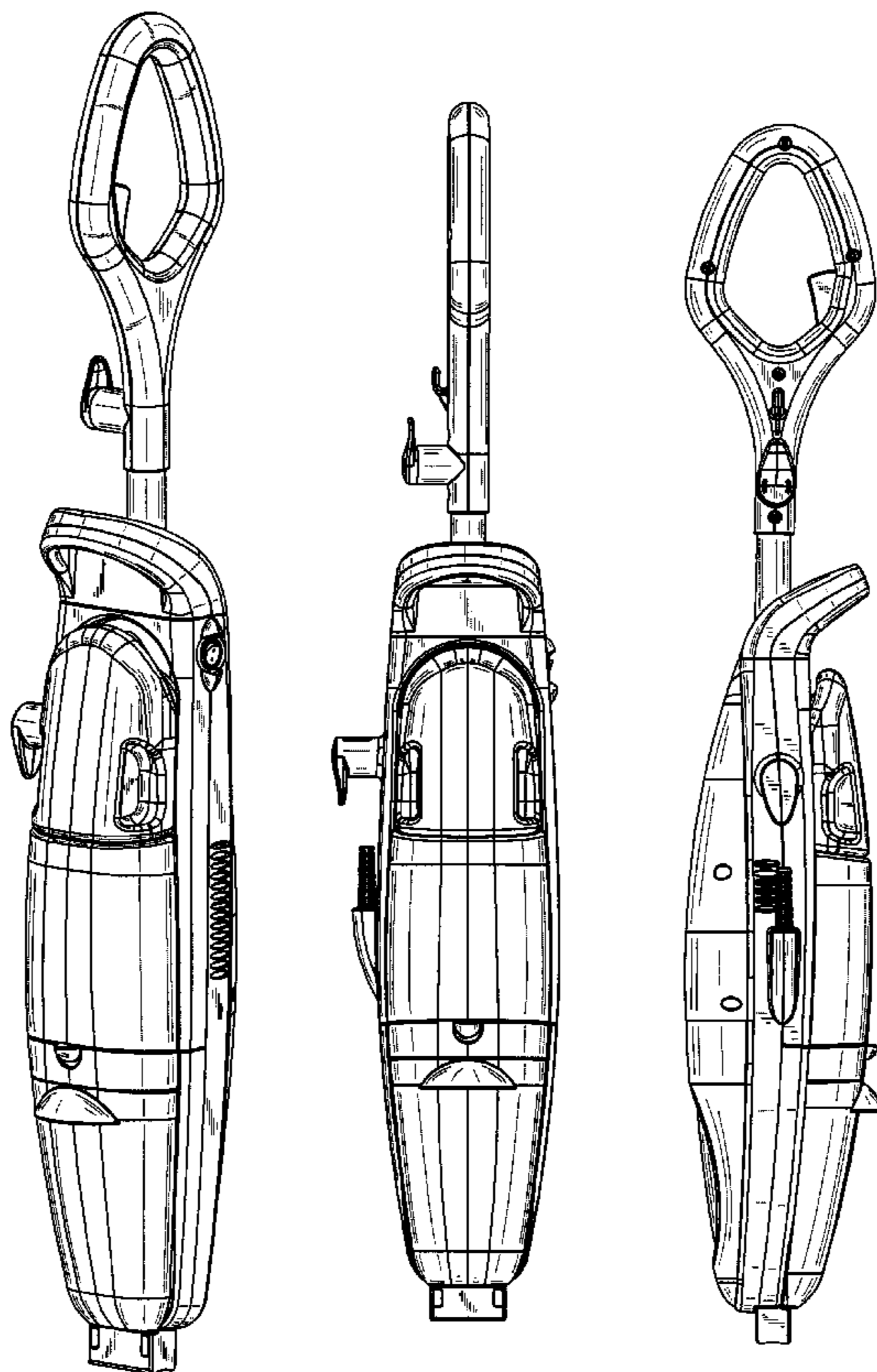
(57) **CLAIM**

The ornamental design for a bare floor cleaner handle, as shown and described.

DESCRIPTION

FIG. 1 is a front perspective view of a bare floor cleaner handle which embodies our design;
 FIG. 2 is a front view thereof;
 FIG. 3 is a rear view thereof;
 FIG. 4 is a right side view thereof,
 FIG. 5 is a left side view thereof;
 FIG. 6 is a top view thereof; and,
 FIG. 7 is a bottom view thereof.

1 Claim, 4 Drawing Sheets



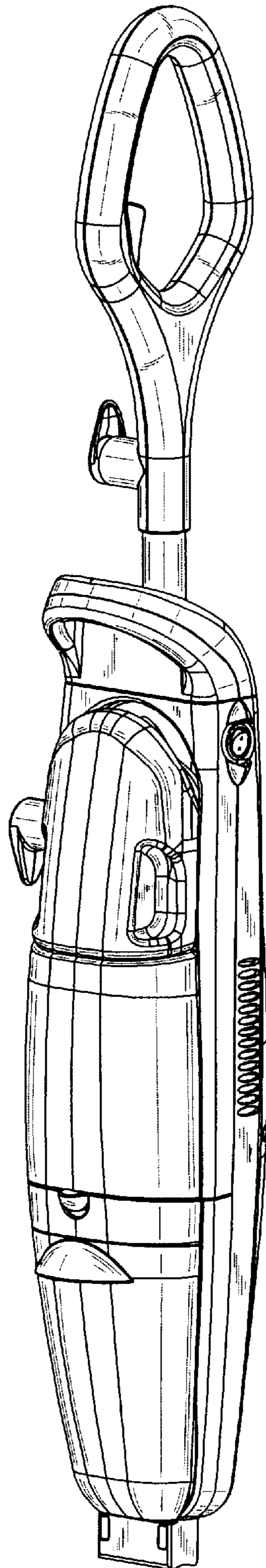


Fig. 1

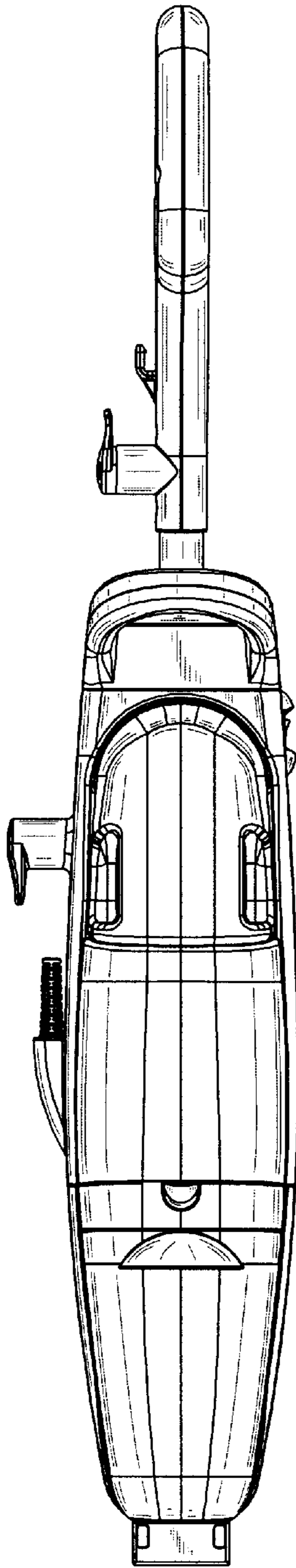


Fig. 2

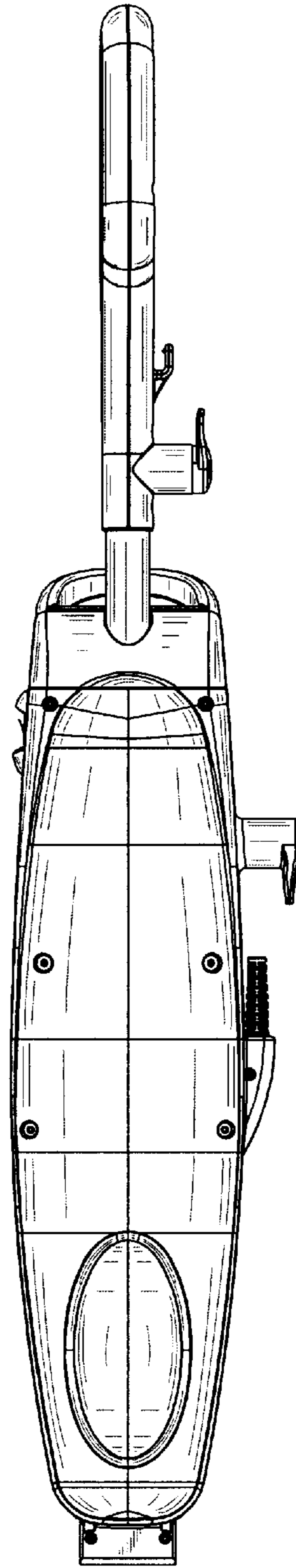


Fig. 3

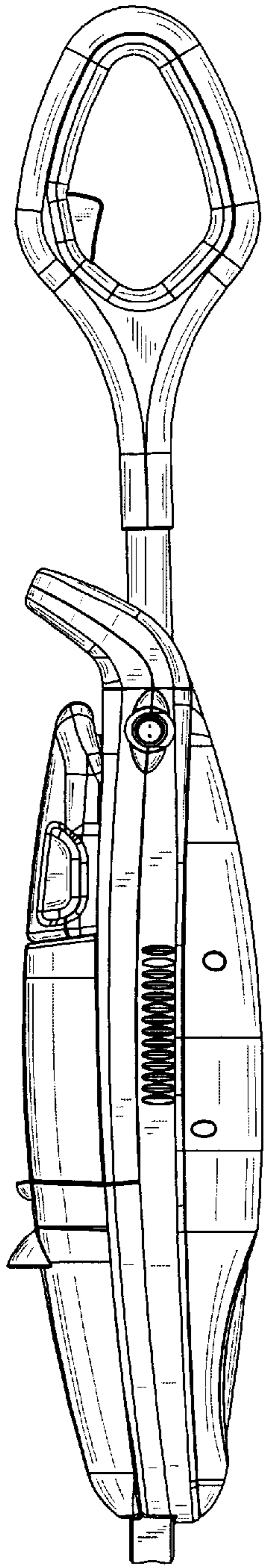


Fig. 4

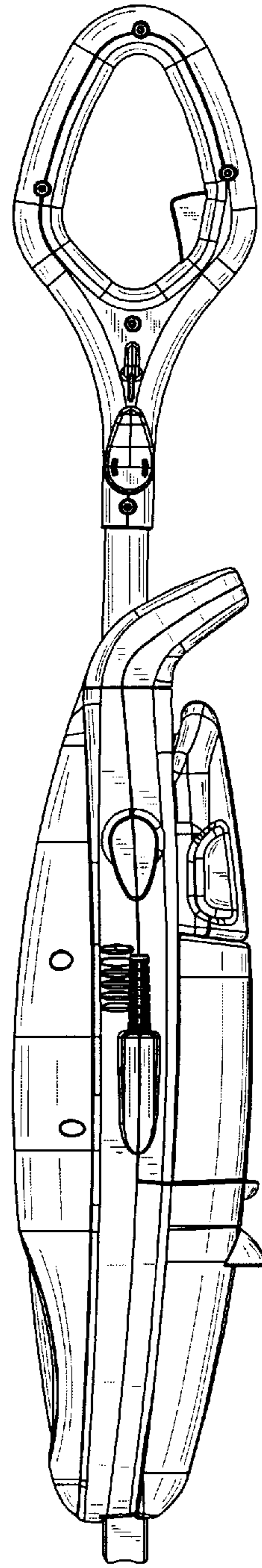


Fig. 5

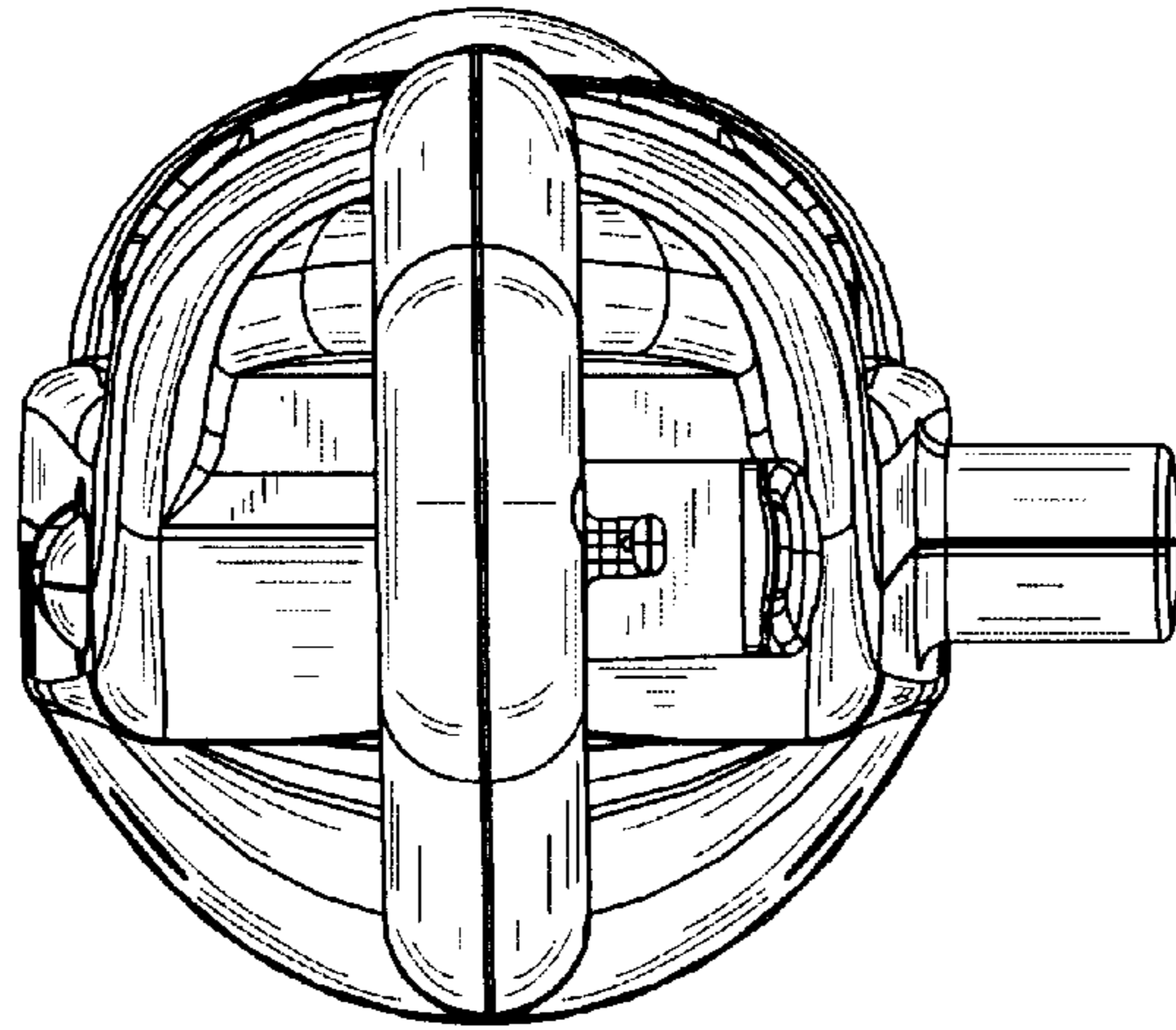


Fig. 6

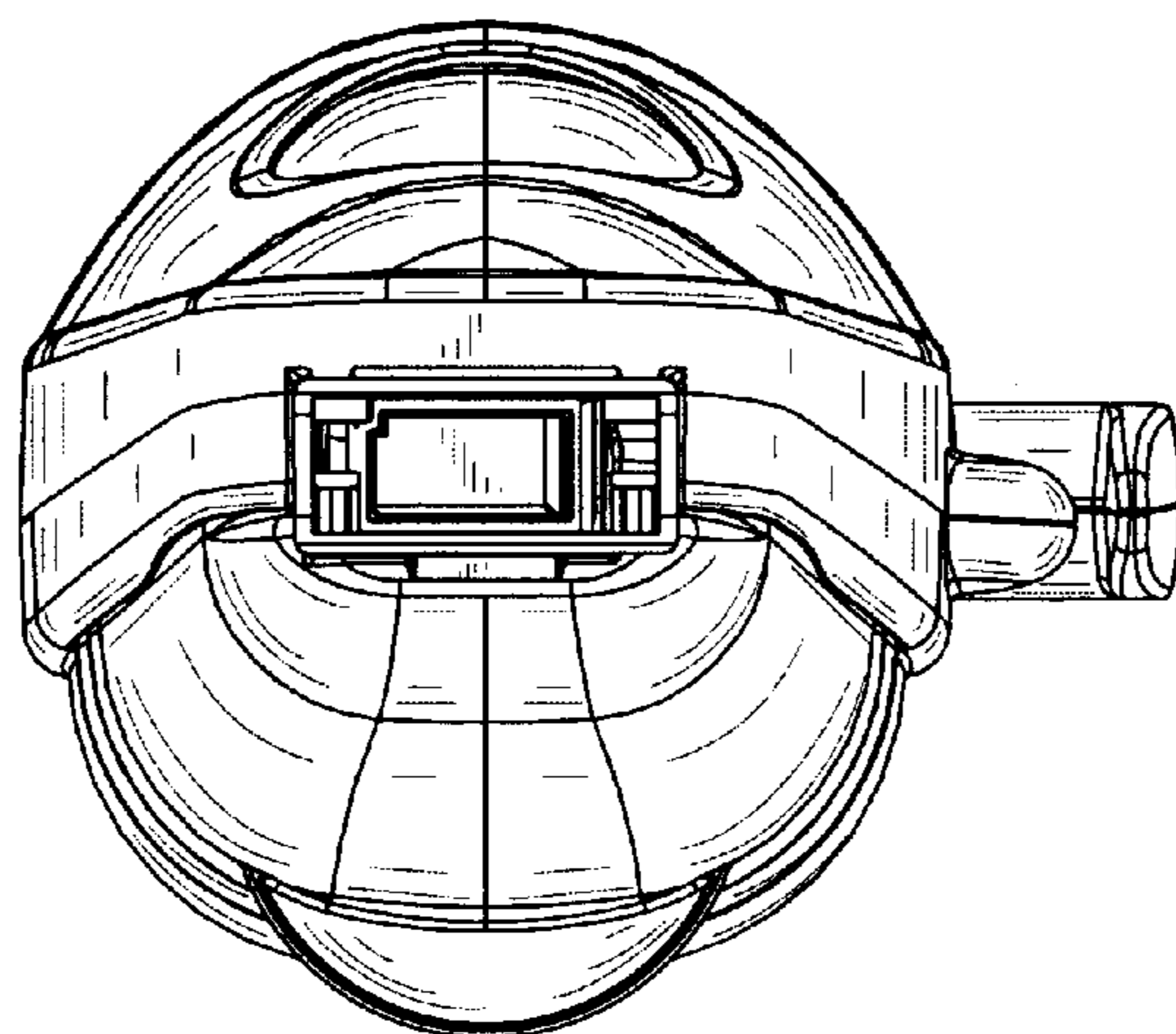


Fig. 7