

US00D509921S

(12) **United States Design Patent**  
**Lam**

(10) **Patent No.: US D509,921 S**

(45) **Date of Patent: \*\* Sep. 20, 2005**

(54) **LANTERN**

D487,809 S \* 3/2004 Leung et al. .... D26/40  
D498,015 S \* 11/2004 Leung et al. .... D26/40

(75) **Inventor: Kam-Wah Lam, New Territories (HK)**

\* cited by examiner

(73) **Assignee: Bright Commence Ind., Ltd., Kowloon (HK)**

*Primary Examiner*—Marcus A. Jackson  
(74) *Attorney, Agent, or Firm*—Intellectual Property Law Group LLP; Otto O. Lee; Juneko Jackson

(\*\*) **Term: 14 Years**

(57) **CLAIM**

(21) **Appl. No.: 29/216,592**

The ornamental design for a lantern, as shown and described.

(22) **Filed: Nov. 4, 2004**

(51) **LOC (8) Cl. .... 26-02**

(52) **U.S. Cl. .... D26/40**

(58) **Field of Search .... D26/37-50; 362/157, 362/158, 171-174, 183-208**

**DESCRIPTION**

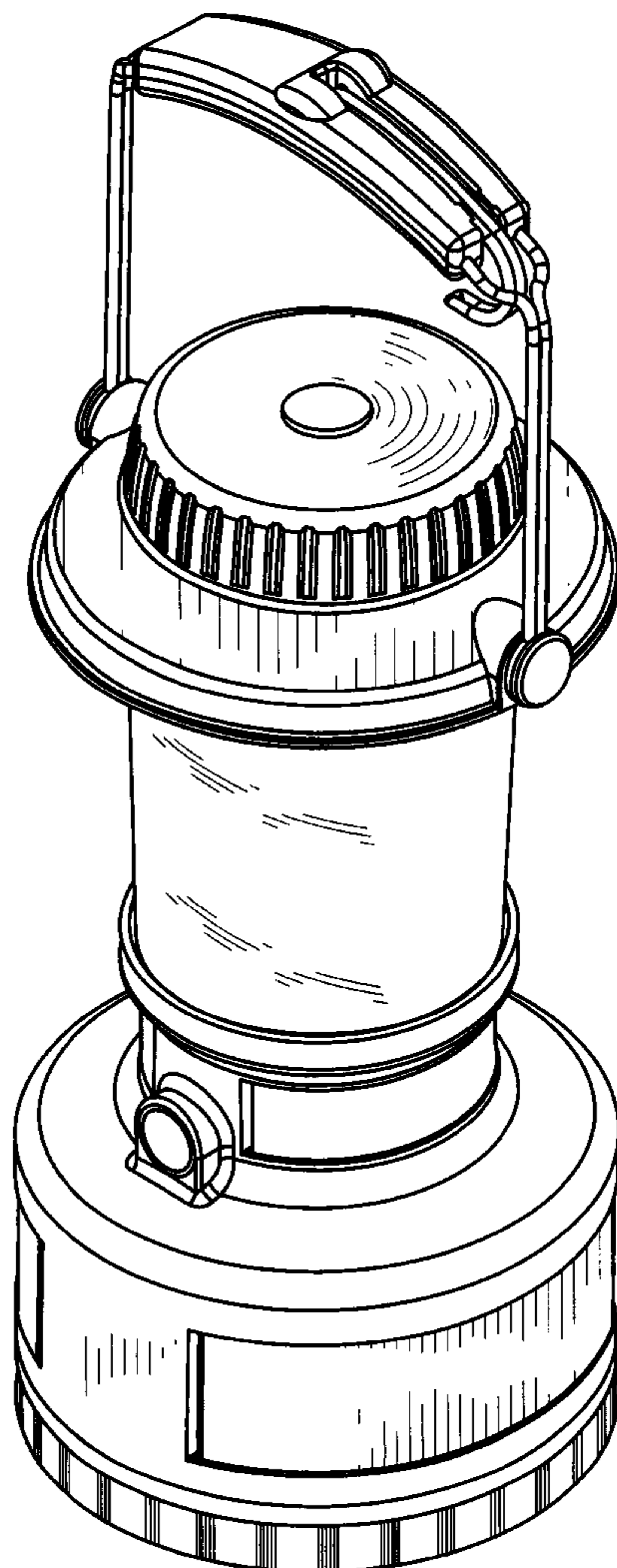
FIG. 1 is a perspective view of a lantern embodying my new design;  
FIG. 2 is a front elevational view thereof;  
FIG. 3 is a rear elevational view thereof;  
FIG. 4 is a right side elevational view thereof;  
FIG. 5 is a left side elevational view thereof;  
FIG. 6 is a bottom plan view thereof; and,  
FIG. 7 is a top plan view thereof.

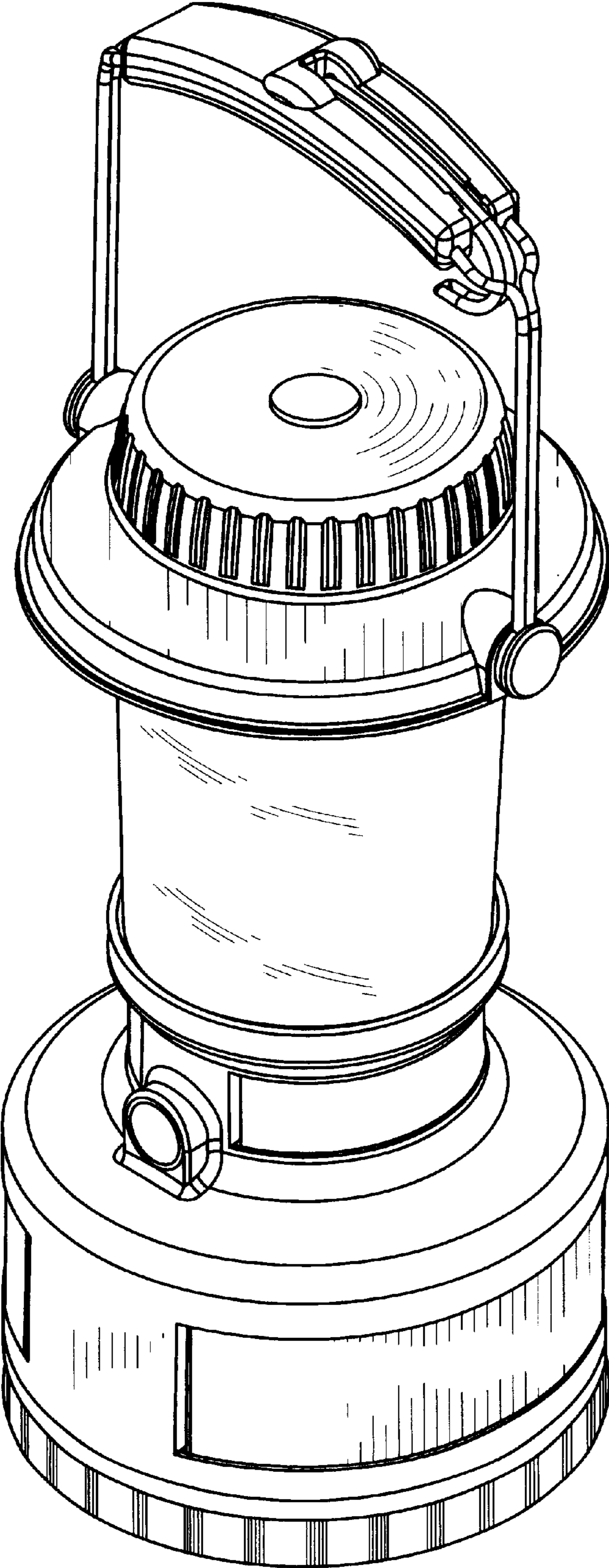
(56) **References Cited**

**U.S. PATENT DOCUMENTS**

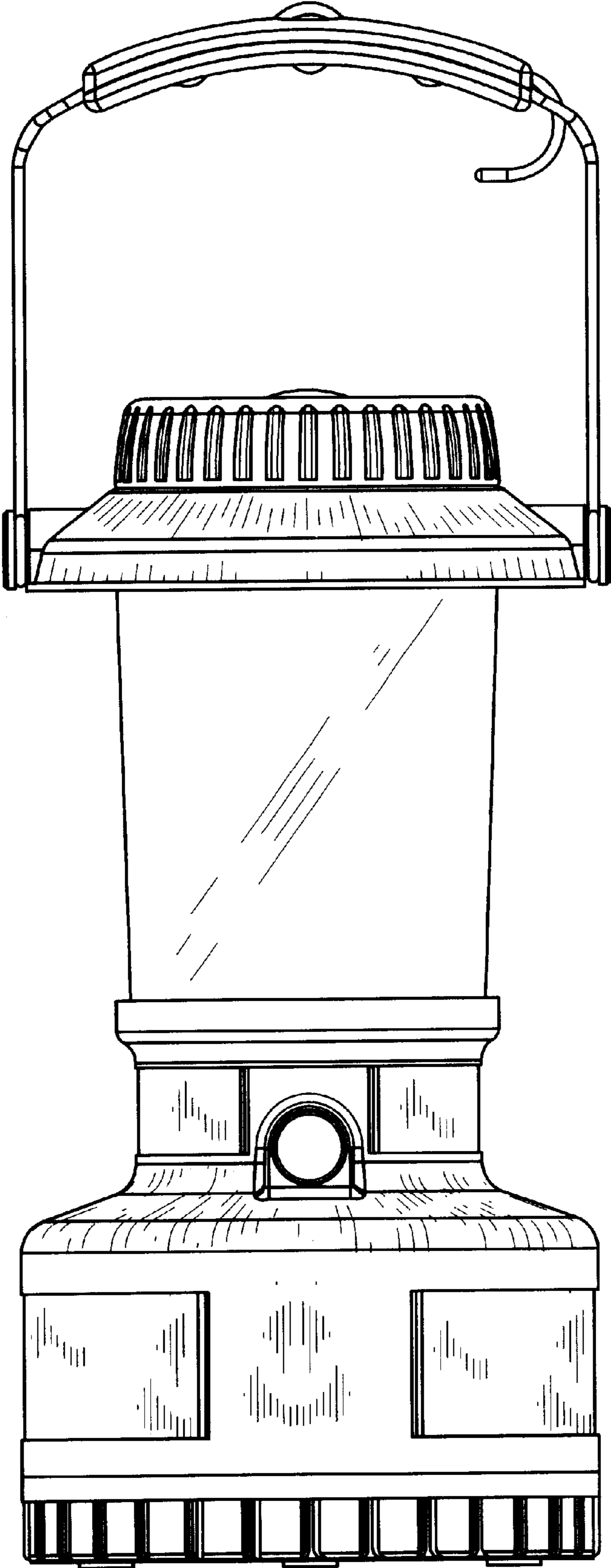
D468,039 S \* 12/2002 Poon ..... D26/40  
D474,553 S \* 5/2003 Poon ..... D26/40  
D486,933 S \* 2/2004 Leung et al. .... D26/40

**1 Claim, 6 Drawing Sheets**

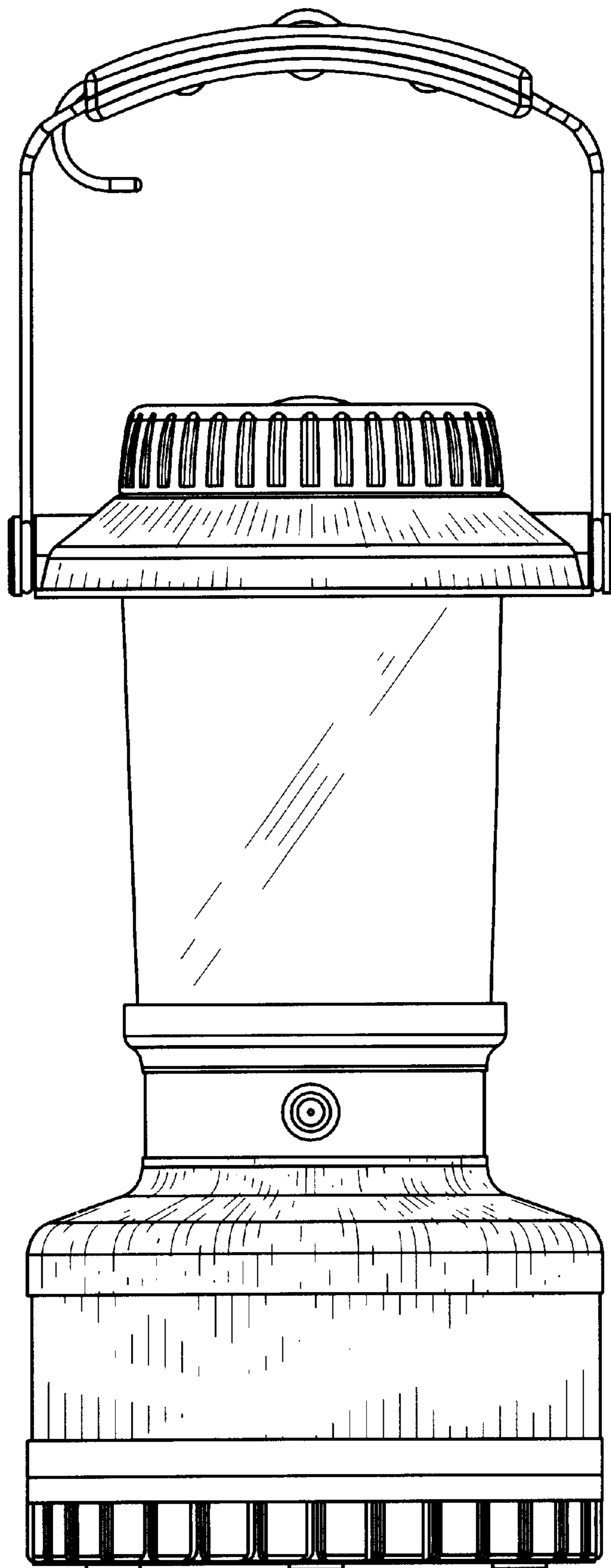




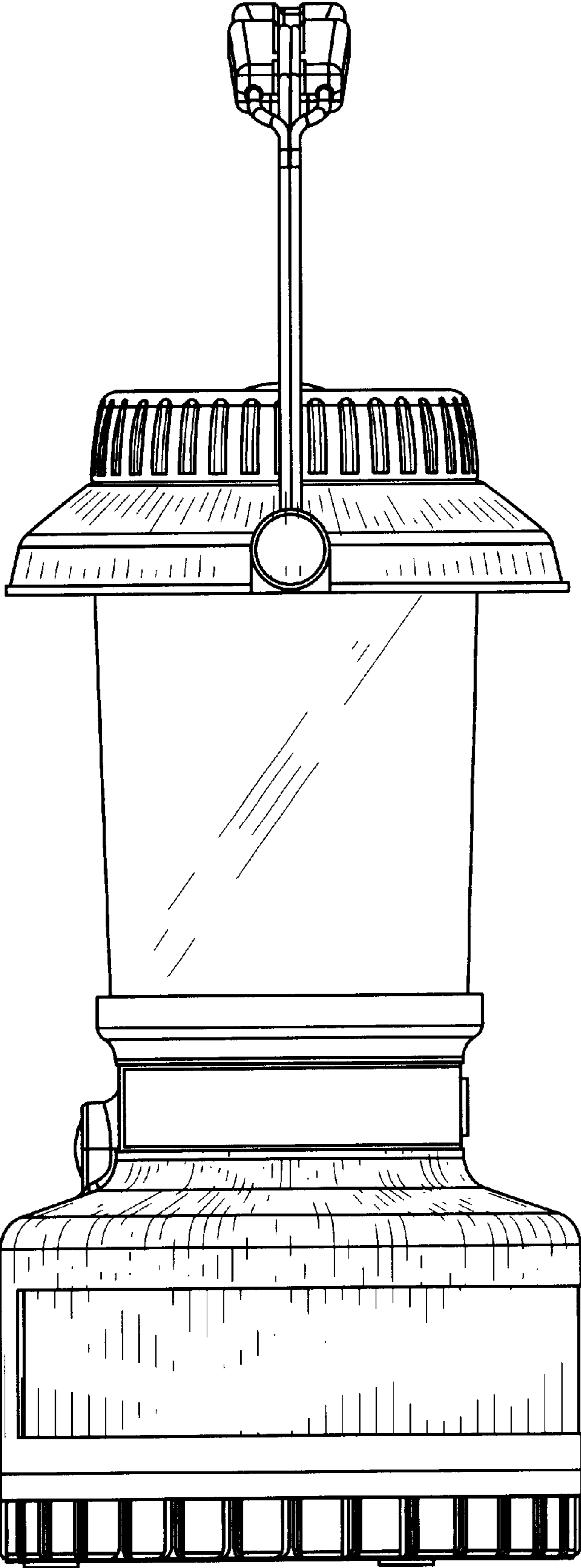
**FIG. 1**



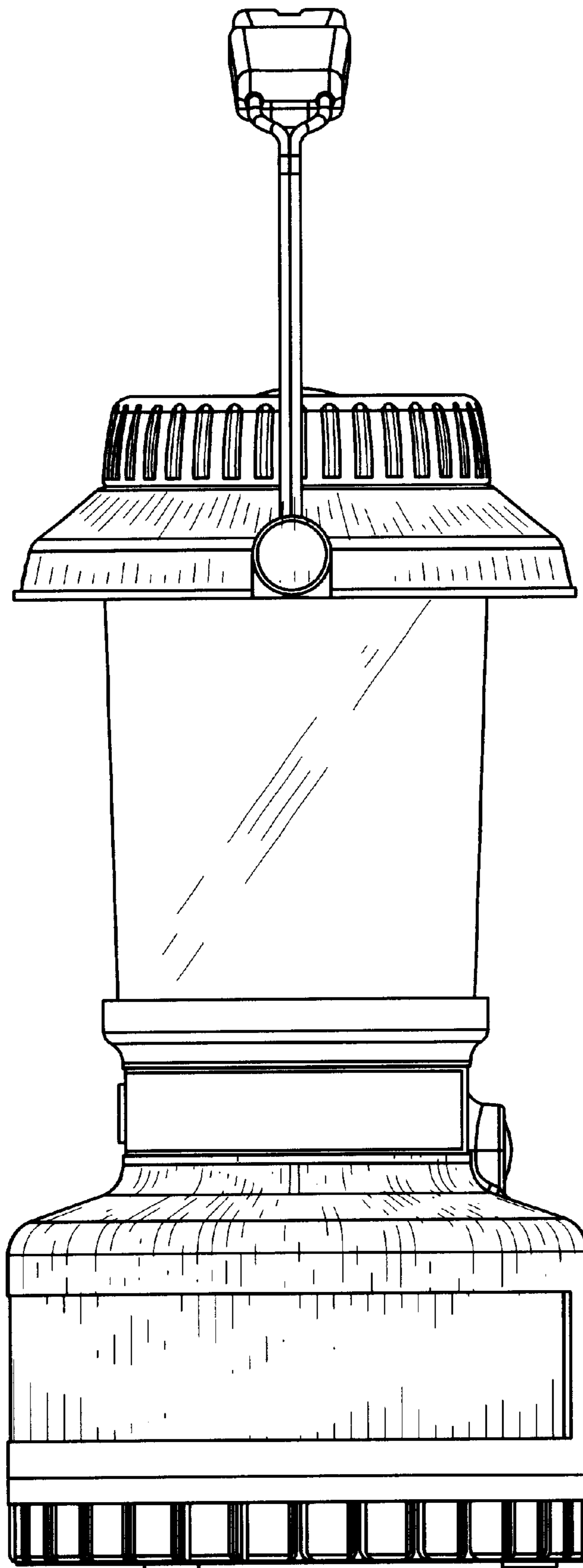
**FIG. 2**



**FIG. 3**

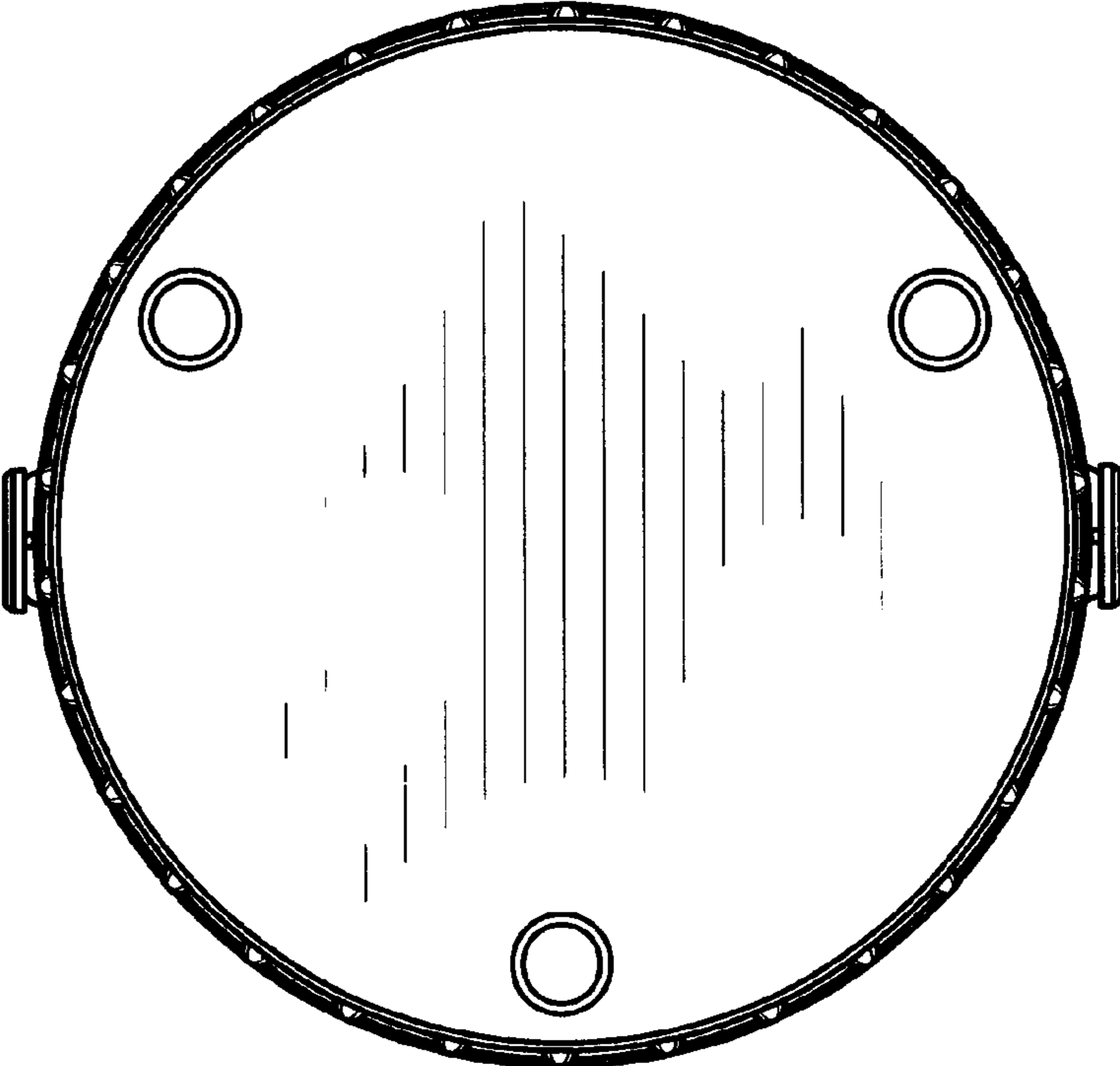


**FIG. 4**



**FIG. 5**

**FIG. 6**



**FIG. 7**

