

US00D509920S

(12) **United States Design Patent**
Fritz et al.

(10) **Patent No.: US D509,920 S**

(45) **Date of Patent: ** Sep. 20, 2005**

(54) **LANTERN**

(75) Inventors: **John M. Fritz**, Verona, WI (US); **John A. Sedovic**, Middleton, WI (US)

(73) Assignee: **Rovcal, Inc.**, Madison, WI (US)

(**) Term: **14 Years**

(21) Appl. No.: **29/214,616**

(22) Filed: **Oct. 6, 2004**

(51) **LOC (8) Cl. 26-02**

(52) **U.S. Cl. D26/40**

(58) **Field of Search** D26/37-50; 362/157,
362/158, 171-174, 183-208

(56) **References Cited**

U.S. PATENT DOCUMENTS

D280,027 S	8/1985	Petterson	
D280,029 S	8/1985	Petterson	
D342,800 S	12/1993	Petterson et al.	
D429,354 S	* 8/2000	Petterson D26/40
D433,762 S	* 11/2000	Yuen D26/40
D468,039 S	* 12/2002	Poon D26/40
D486,932 S	* 2/2004	Dario et al. D26/40
D487,597 S	* 3/2004	Leung et al. D26/40

* cited by examiner

Primary Examiner—Marcus A. Jackson
(74) *Attorney, Agent, or Firm*—Quarles & Brady LLP

(57) **CLAIM**

The ornamental design for a lantern, as shown and described.

DESCRIPTION

In a preferred embodiment, the nature of this product is as a lantern primarily useful for illuminating objects in the dark.

FIG. 1 is a right, top, front perspective view of a lantern embodying our new design;

FIG. 2 is a front elevational view thereof;

FIG. 3 is a right side elevational view thereof, the left side elevational view thereof being a mirror image of the right side elevational view shown;

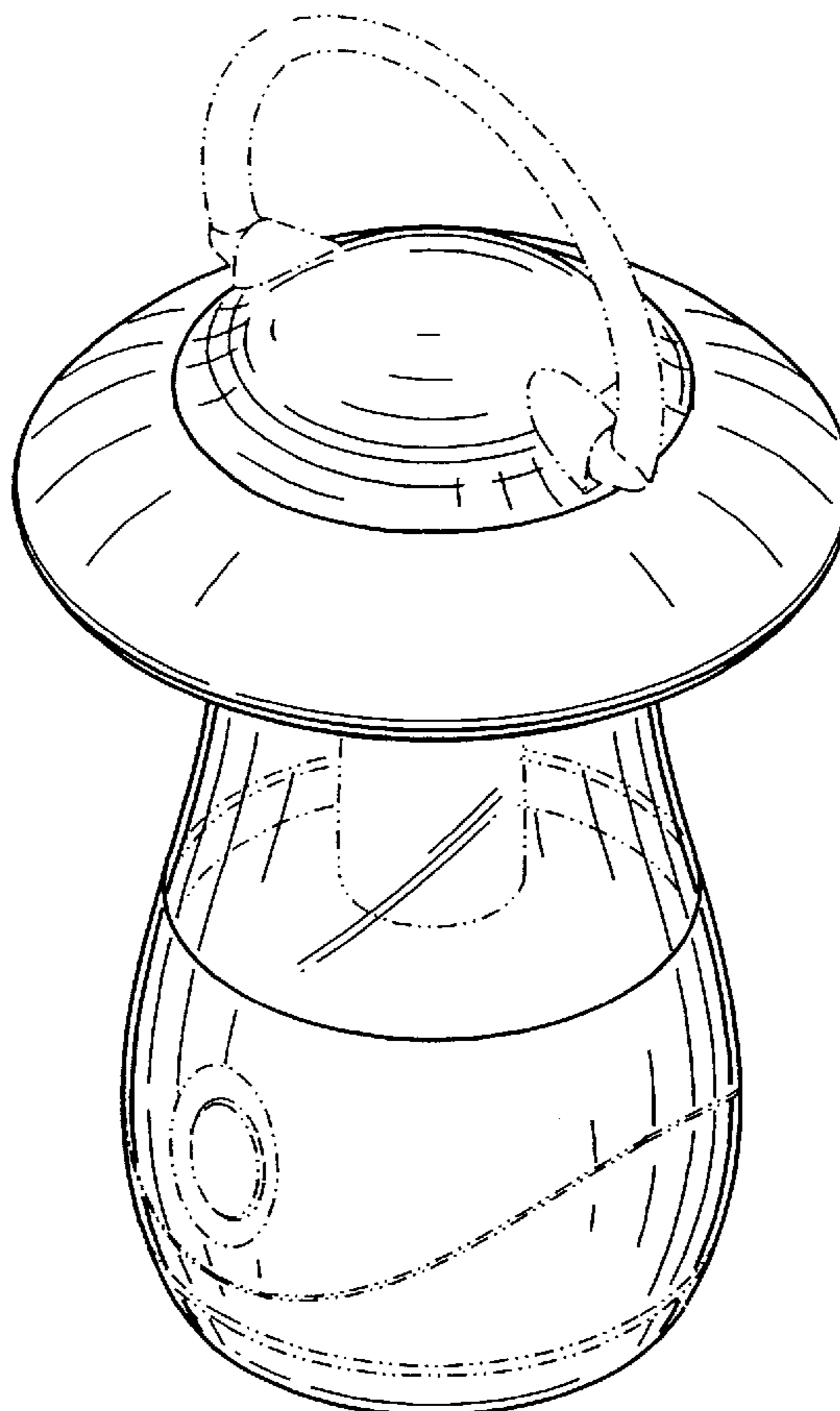
FIG. 4 is a rear elevational view thereof;

FIG. 5 is a top plan view thereof; and,

FIG. 6 is a bottom plan view thereof.

The broken line representations in the figures are for the purpose of illustration only and form no part of the claimed design.

1 Claim, 3 Drawing Sheets



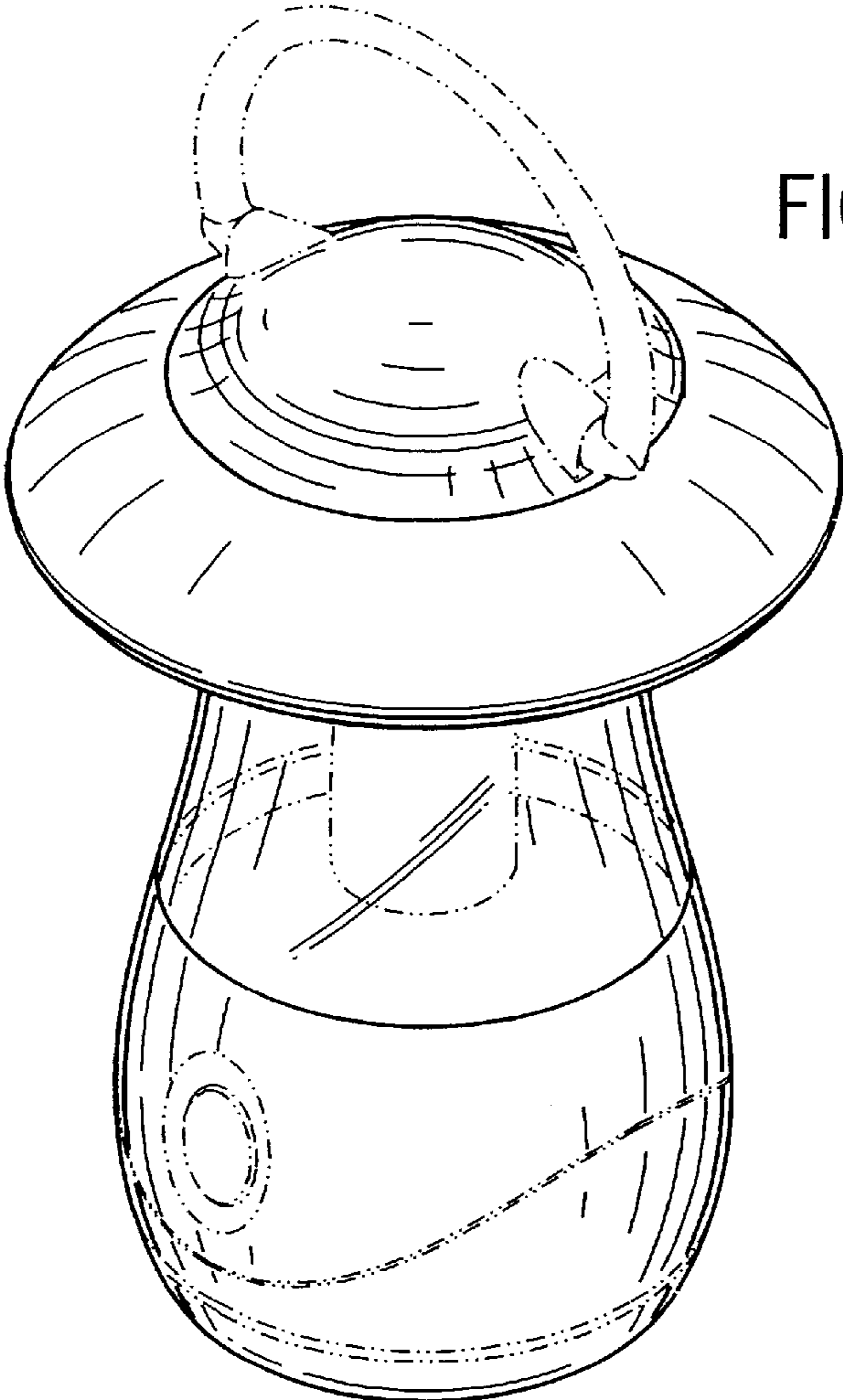


FIG. 1

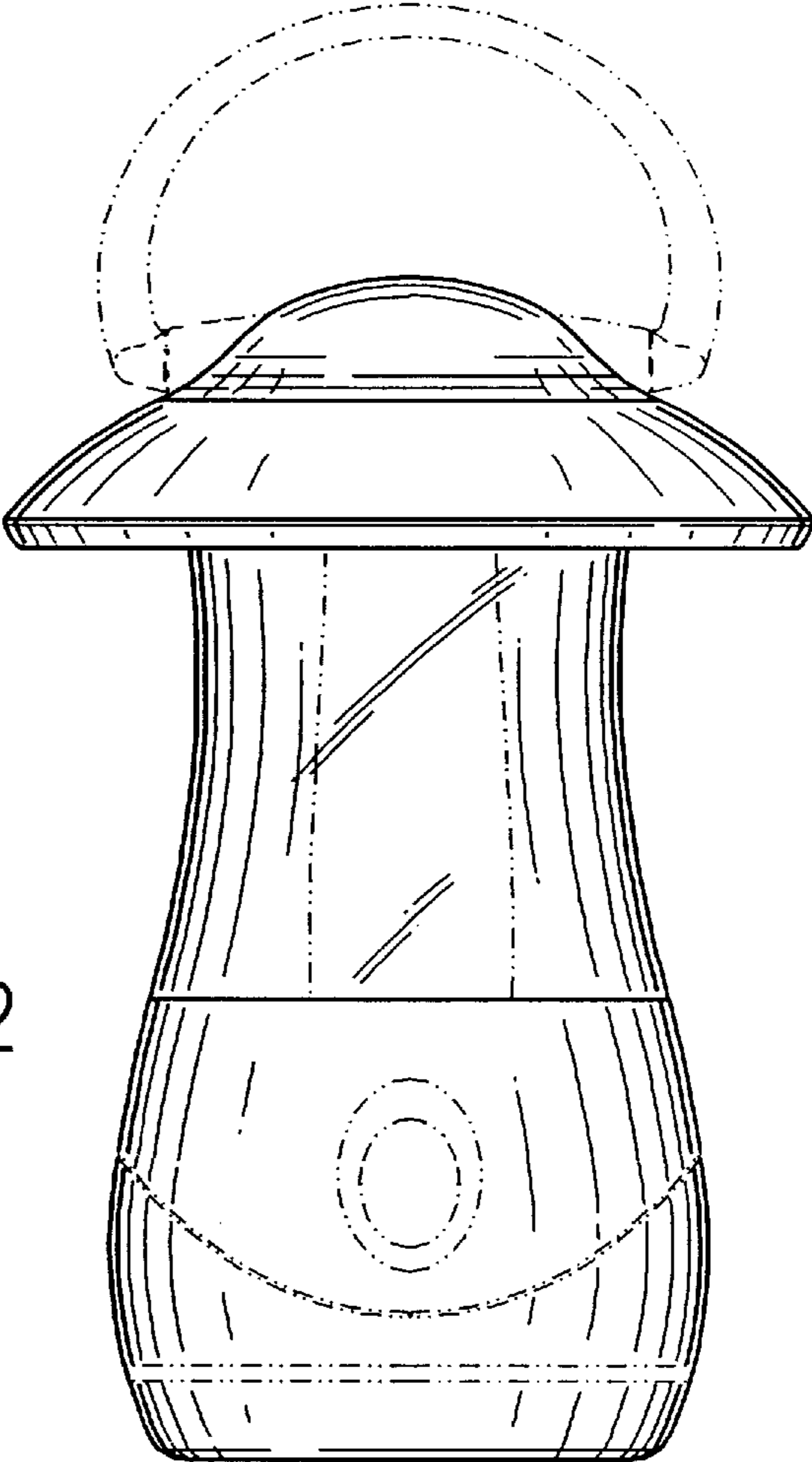


FIG. 2

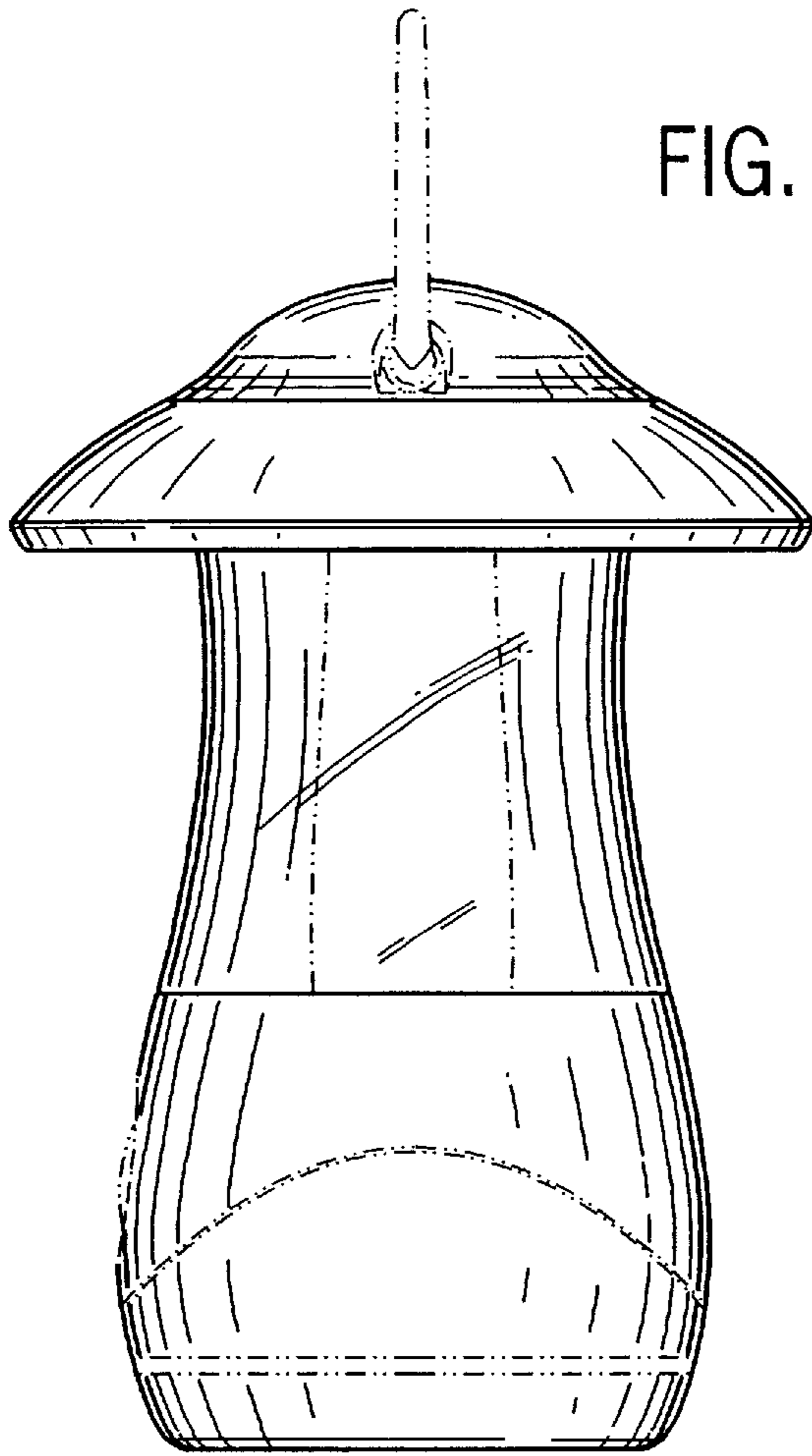


FIG. 3

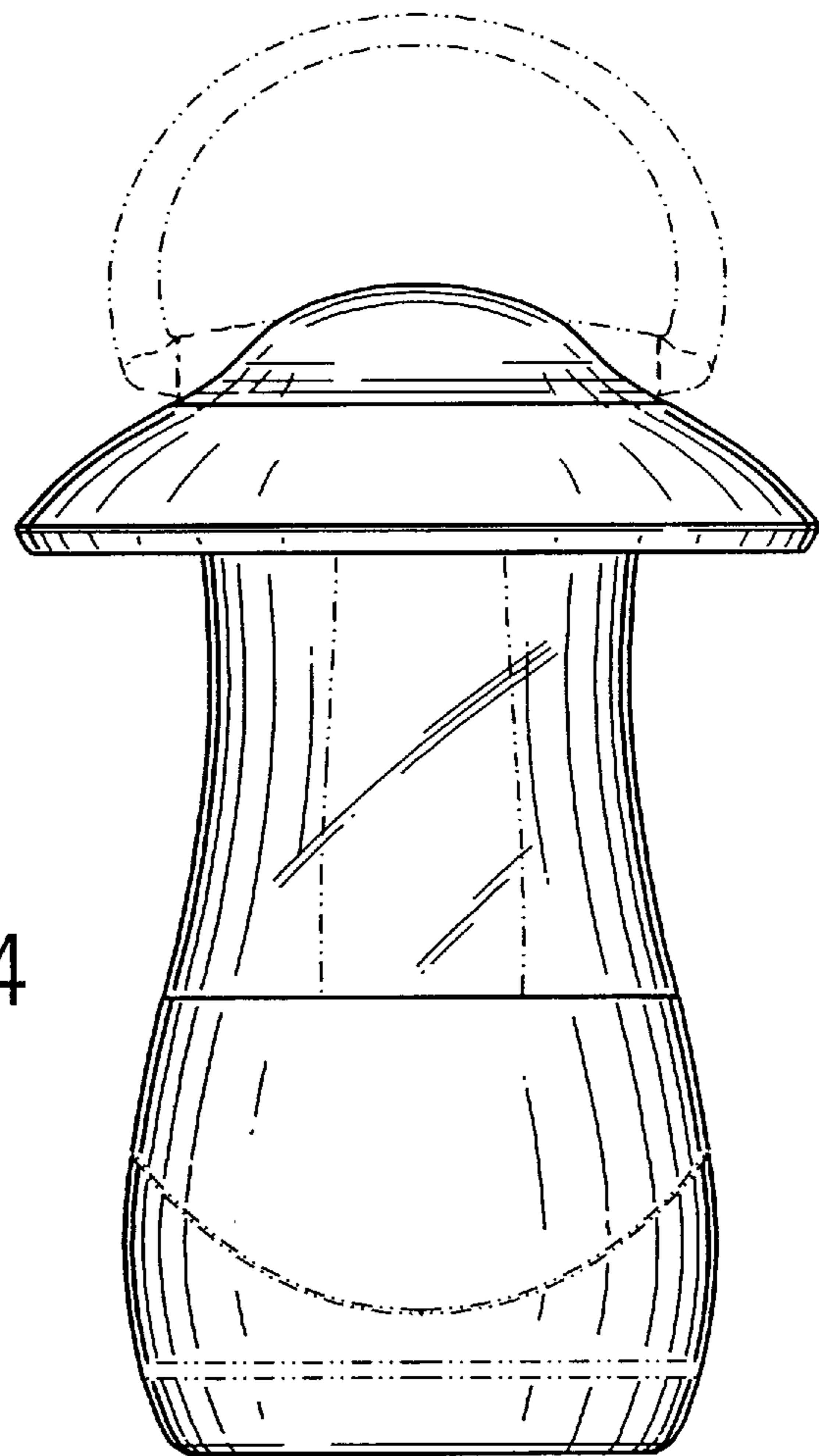


FIG. 4

FIG. 5

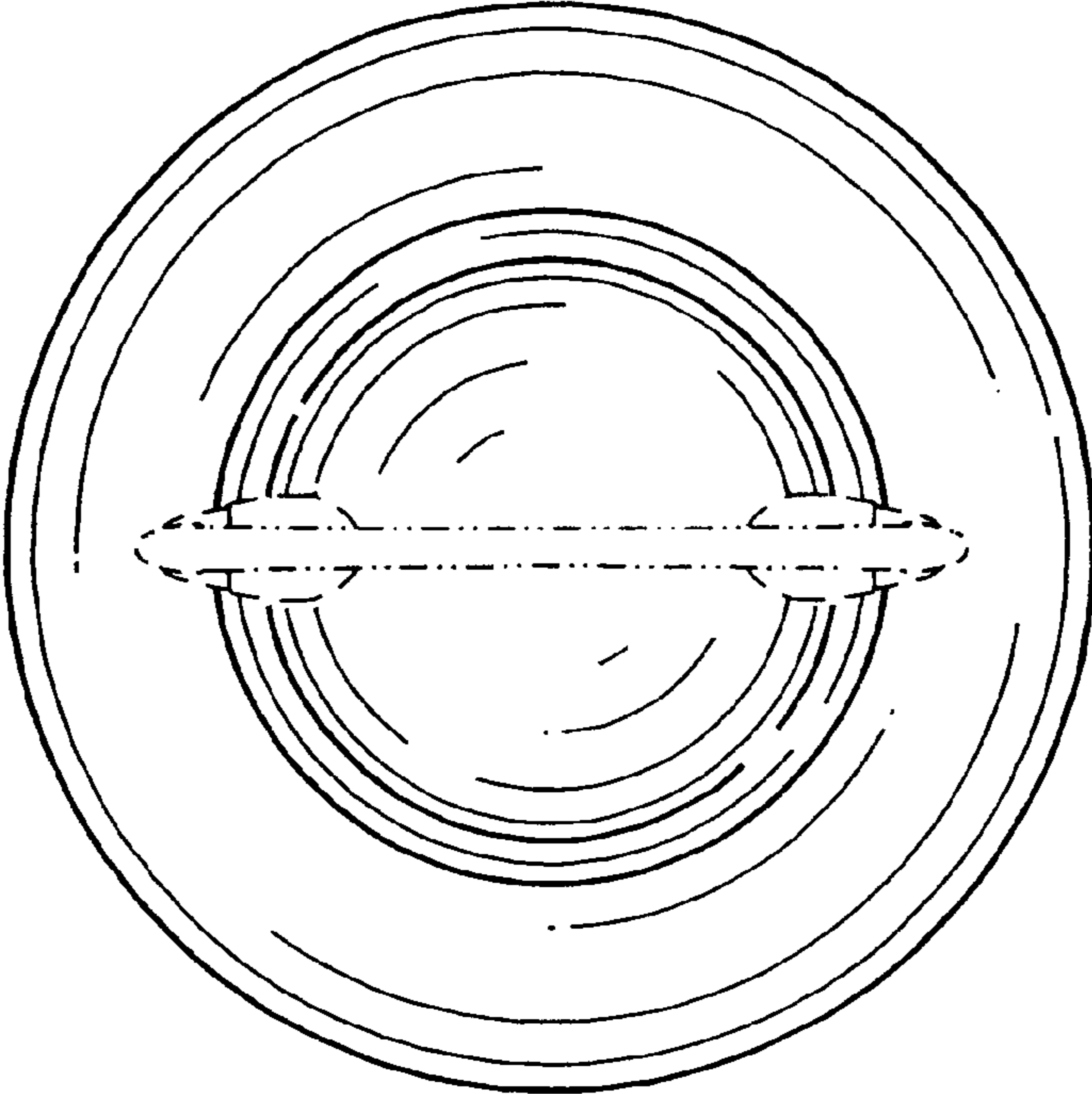


FIG. 6

