

US00D509917S

(12) **United States Design Patent**
Egawa

(10) **Patent No.:** **US D509,917 S**

(45) **Date of Patent:** **** Sep. 20, 2005**

(54) **FLUORESCENT LAMP**

D410,555 S * 6/1999 Soo D26/3

(75) Inventor: **Kazuo Egawa**, Tokyo (JP)

* cited by examiner

(73) Assignee: **Toshiba Lighting & Technology Corporation**, Tokyo (JP)

Primary Examiner—Marcus A. Jackson

(74) *Attorney, Agent, or Firm*—J.C. Patents

(**) Term: **14 Years**

(57) **CLAIM**

The ornamental design for a fluorescent lamp, as shown and described.

(21) Appl. No.: **29/210,087**

DESCRIPTION

(22) Filed: **Jul. 26, 2004**

(51) **LOC (8) Cl.** **26-04**

FIG. 1 is a perspective view of a fluorescent lamp showing the new design.

(52) **U.S. Cl.** **D26/3**

FIG. 2 is a front view thereof.

(58) **Field of Search** D26/1-4; 313/110,
313/315, 317, 318, 491, 567, 569; 315/56,
57, 58, 73

FIG. 3 is a rear view thereof.

FIG. 4 is a left side view thereof.

FIG. 5 is a right side view thereof.

FIG. 6 is a top view thereof.

FIG. 7 is a bottom view thereof.

(56) **References Cited**

U.S. PATENT DOCUMENTS

D365,885 S * 1/1996 Sangen et al. D26/3

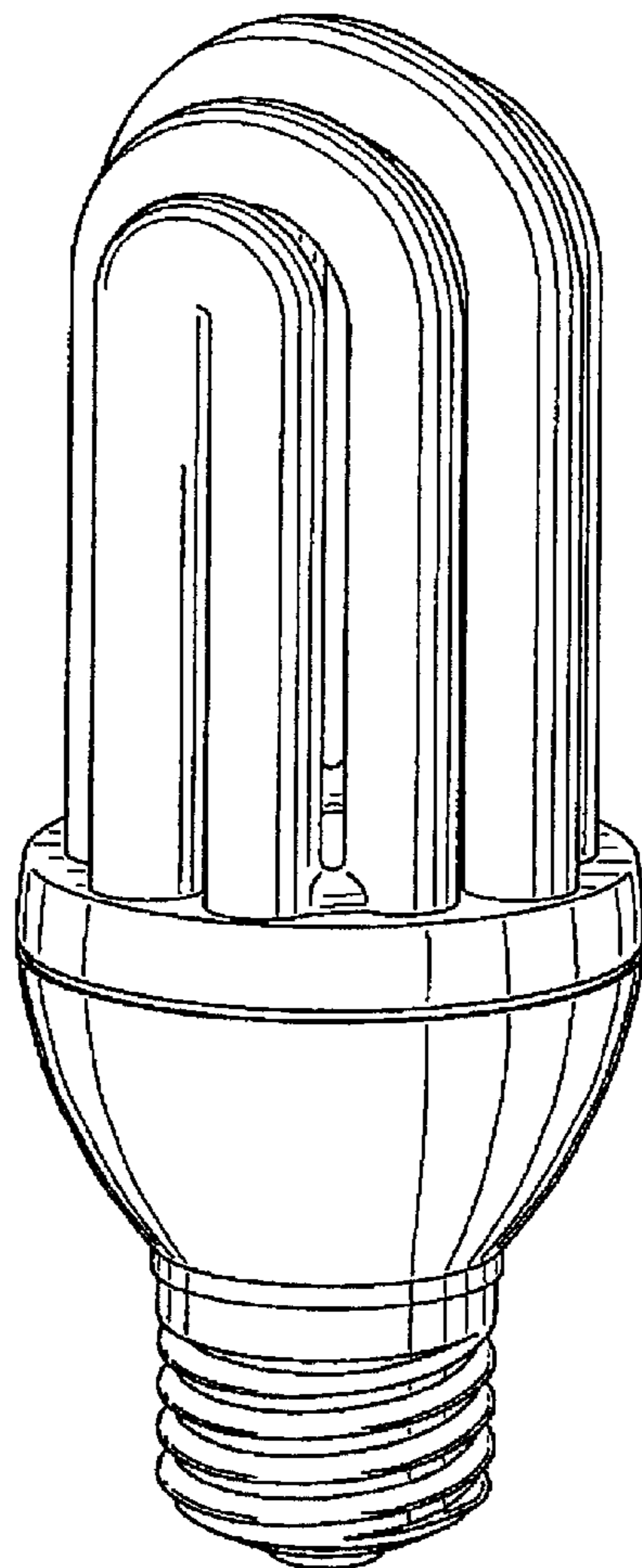
FIG. 8 is an end view in section taken along line 8—8 in FIG. 2 with the internal parts omitted; and,

D379,673 S * 6/1997 Sangen et al. D26/3

FIG. 9 is an end view in section taken along line 9—9 in FIG. 5 with the internal parts omitted.

D383,224 S * 9/1997 Sangen et al. D26/3

1 Claim, 9 Drawing Sheets



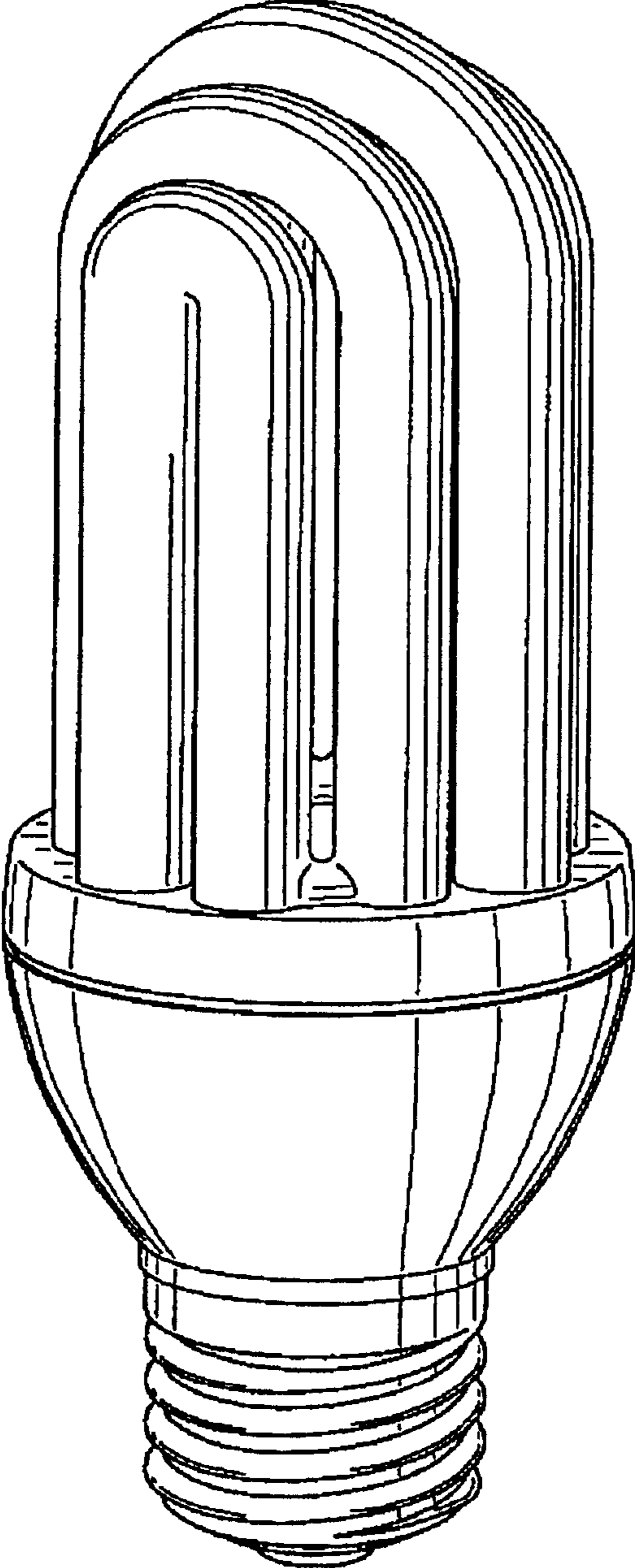


FIG. 1

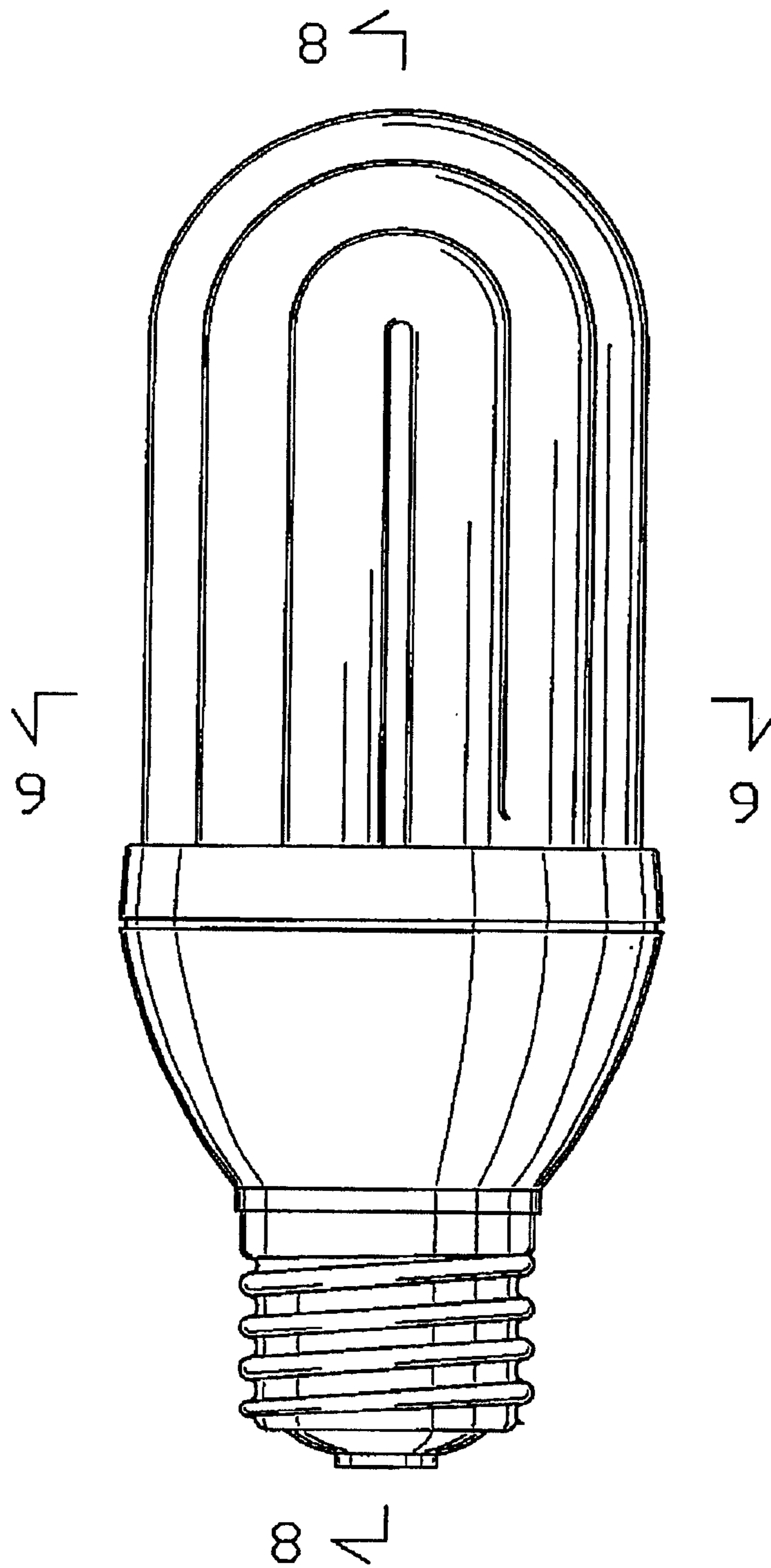


FIG. 2

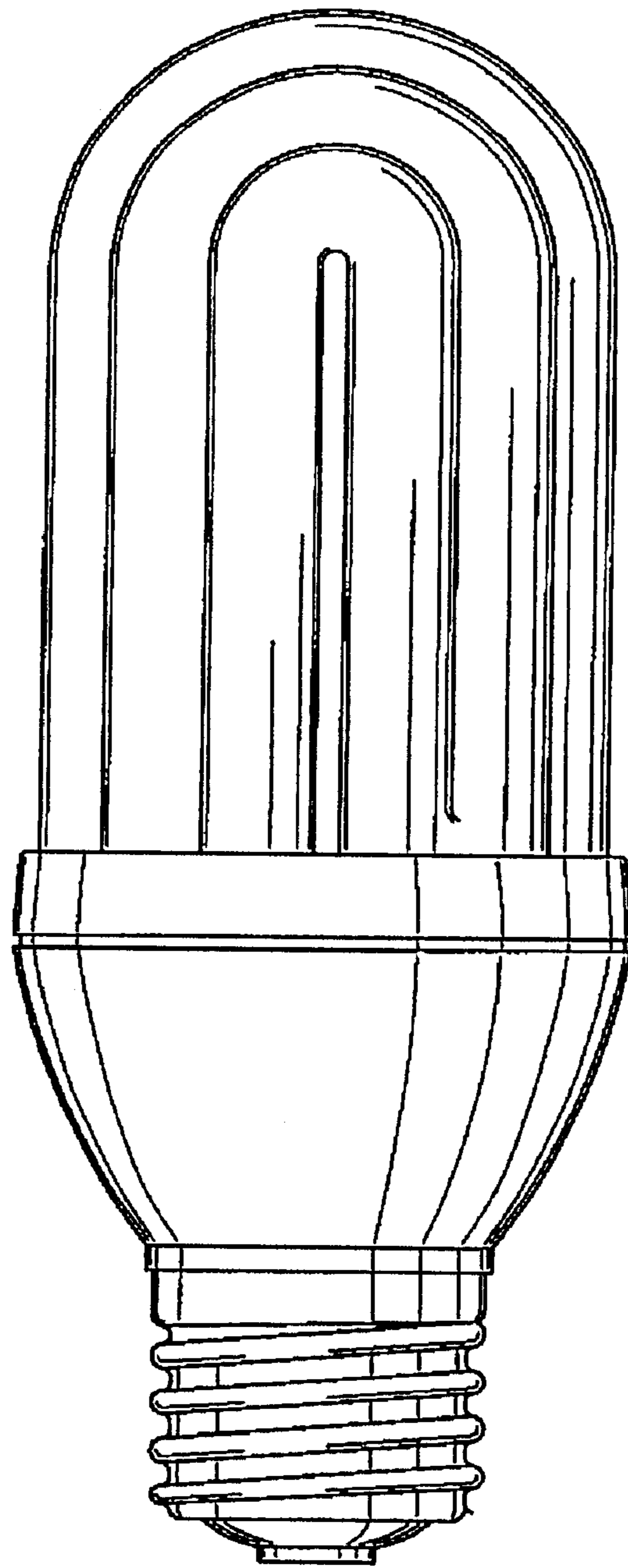


FIG. 3

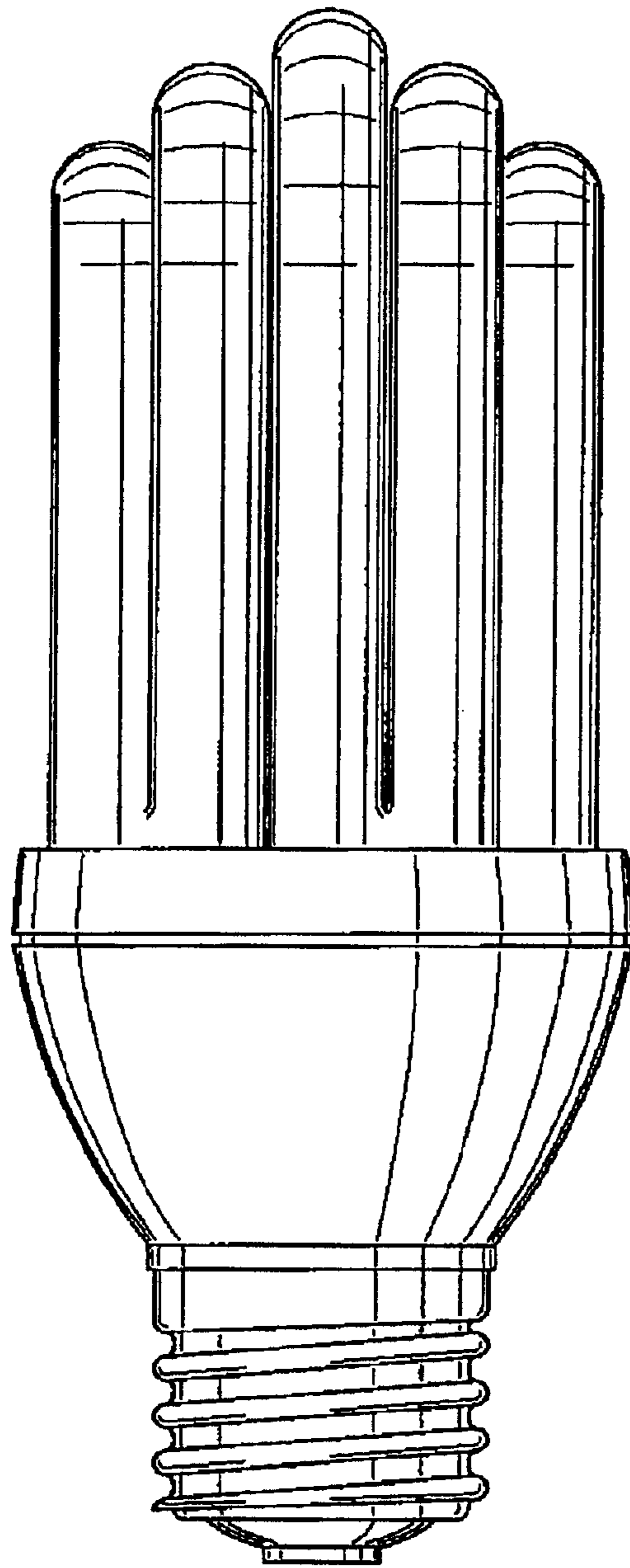


FIG. 4

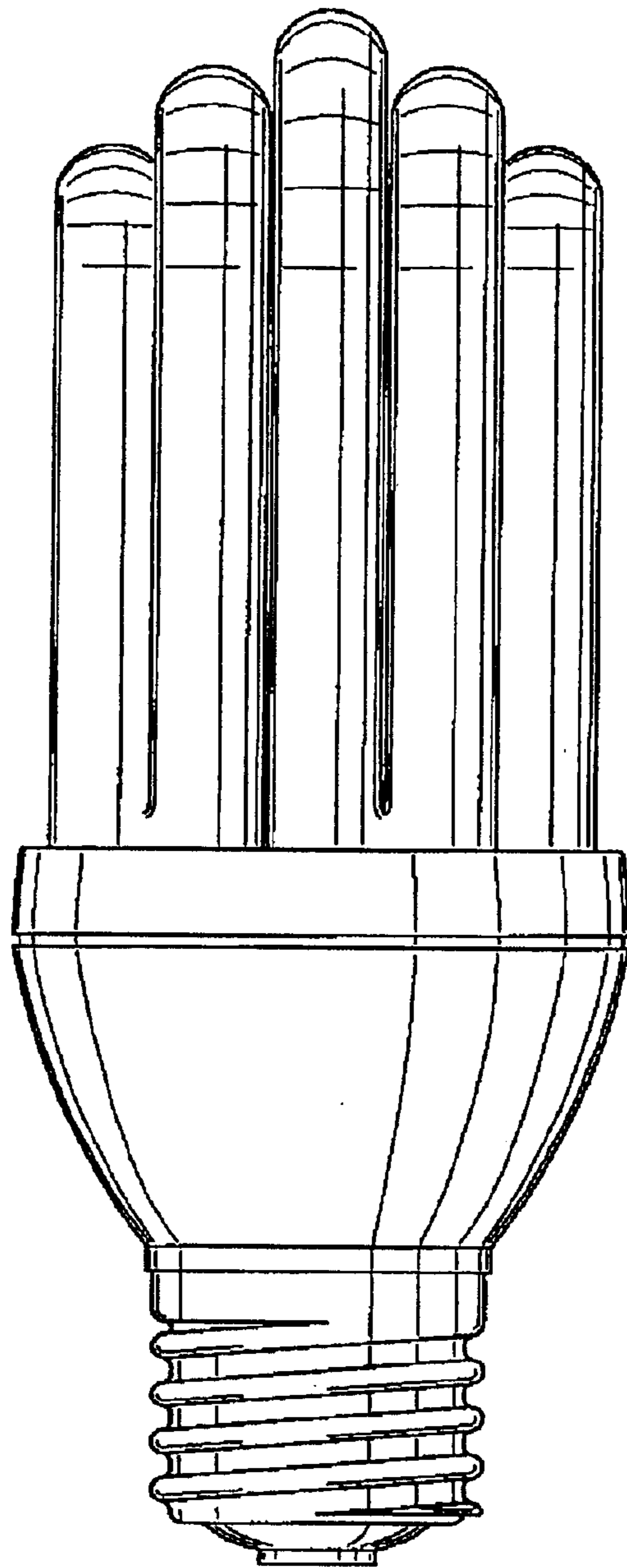


FIG. 5

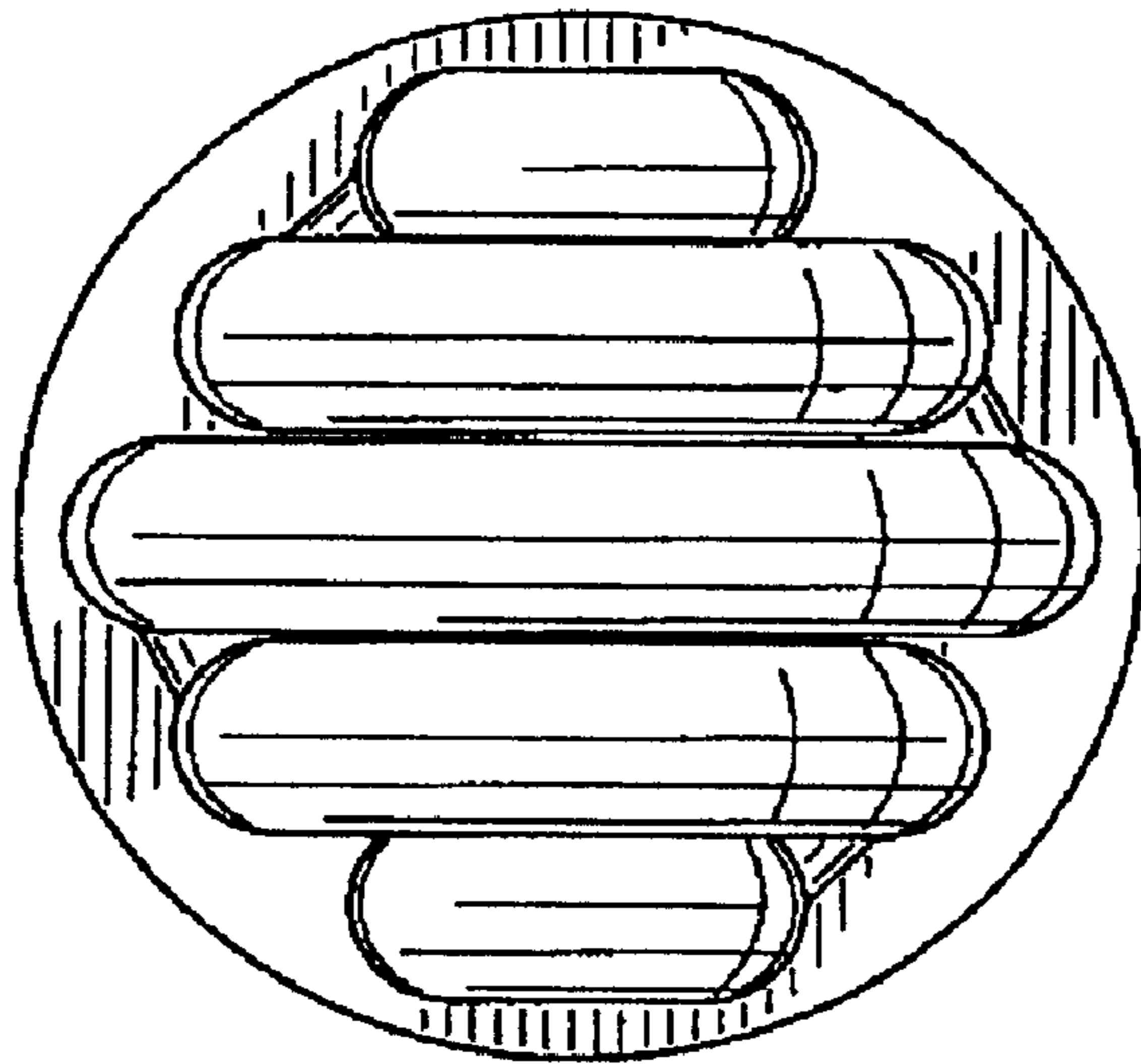


FIG. 6

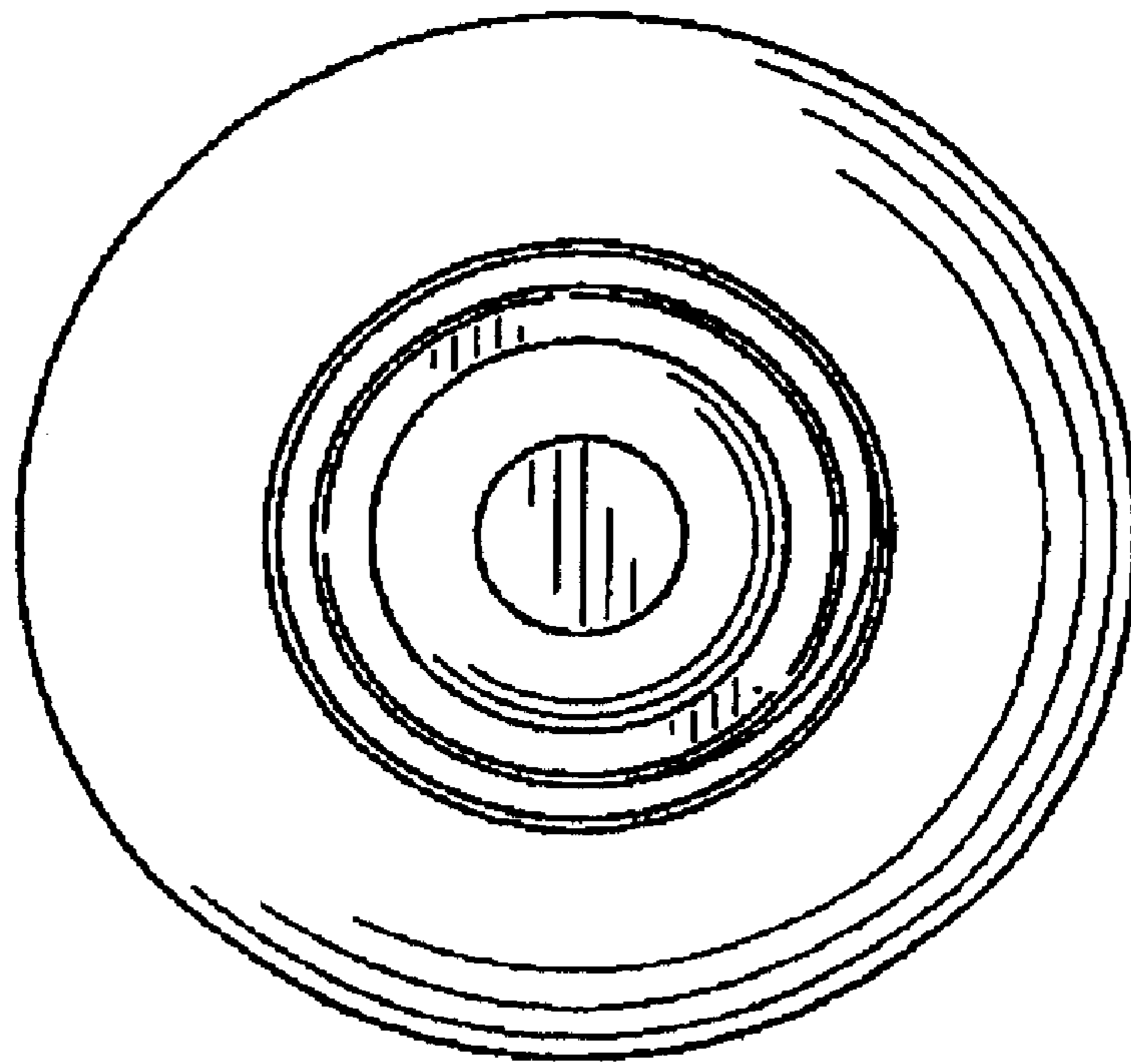


FIG. 7

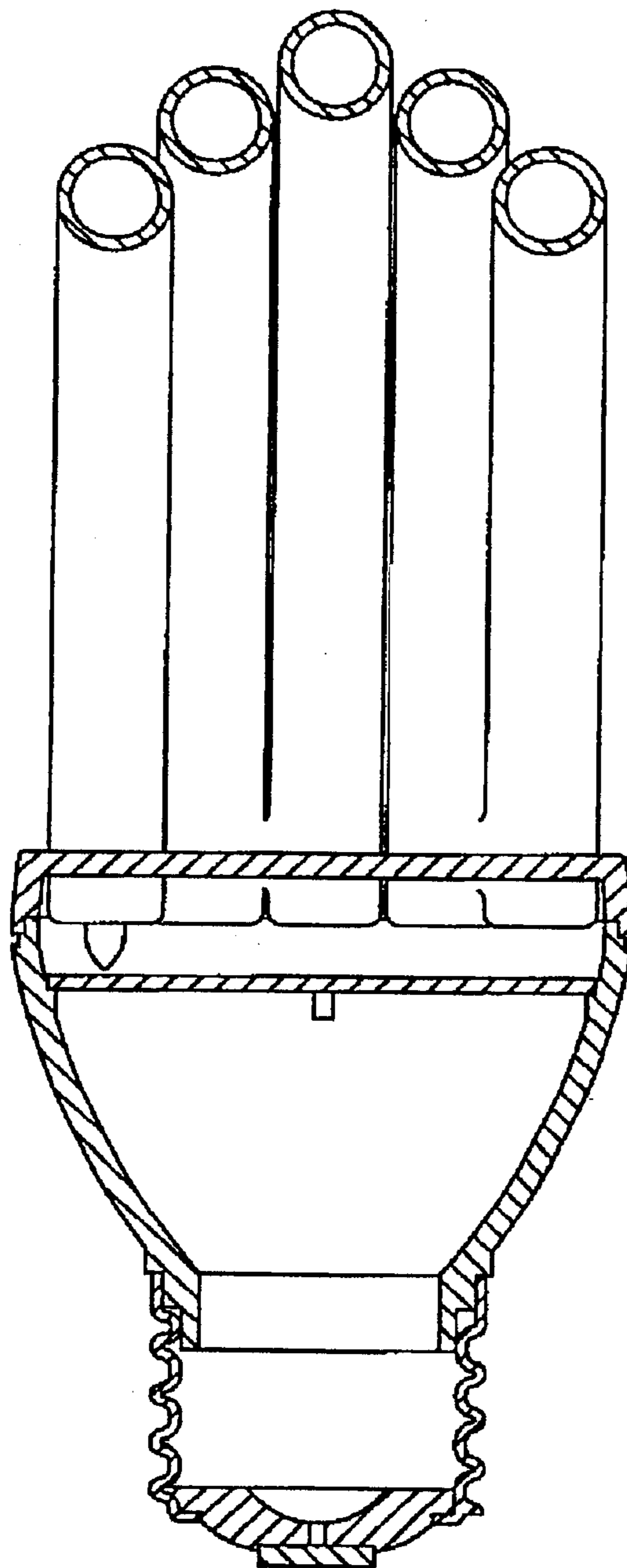


FIG. 8

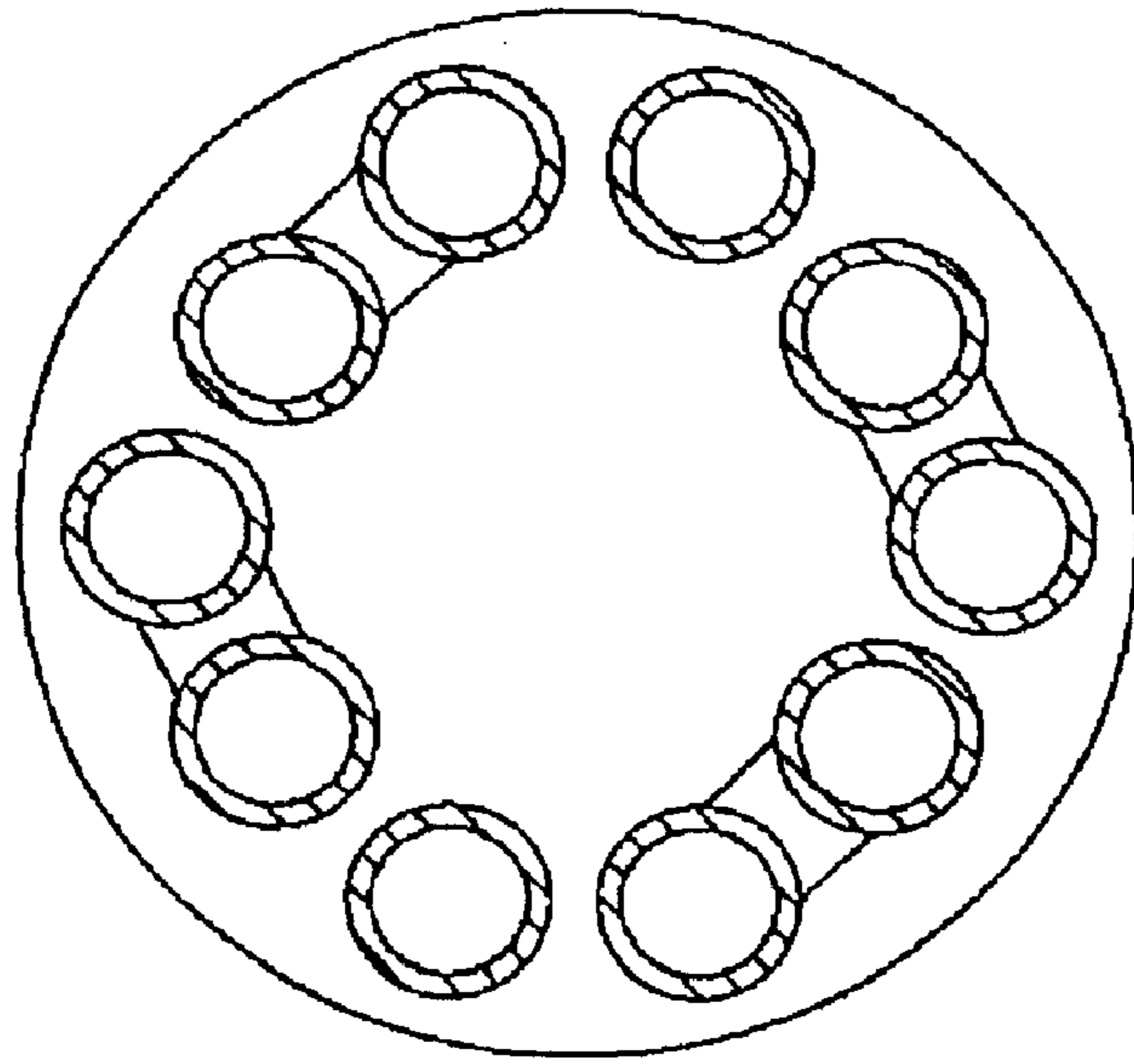


FIG. 9