

US00D509916S

(12) **United States Design Patent** (10) **Patent No.:** **US D509,916 S**  
**Rosian** (45) **Date of Patent:** **\*\* Sep. 20, 2005**

(54) **OCTAGON POST CAP**

(76) Inventor: **Michael J. Rosian**, P.O. Box 1041,  
Orland Park, IL (US) 60462

(\*\*) Term: **14 Years**

(21) Appl. No.: **29/200,165**

(22) Filed: **Feb. 24, 2004**

(51) **LOC (8) Cl.** ..... **25-01**

(52) **U.S. Cl.** ..... **D25/135**

(58) **Field of Search** ..... **D25/133, 135;**  
**52/721.5, 723.2; 256/65.01, 65.02, 65.04,**  
**65.05, 65.06**

(56) **References Cited**

**U.S. PATENT DOCUMENTS**

4,551,792 A	11/1985	Hoke et al.	362/362
4,703,403 A	10/1987	Smith et al.	362/268
4,951,184 A	8/1990	Makurof	362/362
D397,484 S	8/1998	Ballard	D26/85
5,788,224 A *	8/1998	Platt	256/66
D398,412 S	9/1998	Metcheur, III	D26/68
5,853,167 A	12/1998	West et al.	256/66
D460,571 S *	7/2002	Schimmelpfennig	D25/135
6,505,950 B1	1/2003	Natoli et al.	362/146

6,581,335 B2	6/2003	Grant	52/28
6,585,398 B1	7/2003	Haddad	362/328
2002/0148183 A1	10/2002	Grant	52/300

\* cited by examiner

*Primary Examiner*—Doris Clark

(74) *Attorney, Agent, or Firm*—McAndrews, Held & Malloy, Ltd.

(57) **CLAIM**

I claim the ornamental design for the octagon post cap, as shown and described.

**DESCRIPTION**

The cap has an opening that receives a end (usually a top) of a post. The cap is associated with deck posts and the bottom of the cap is intended to be used with lighting elements.

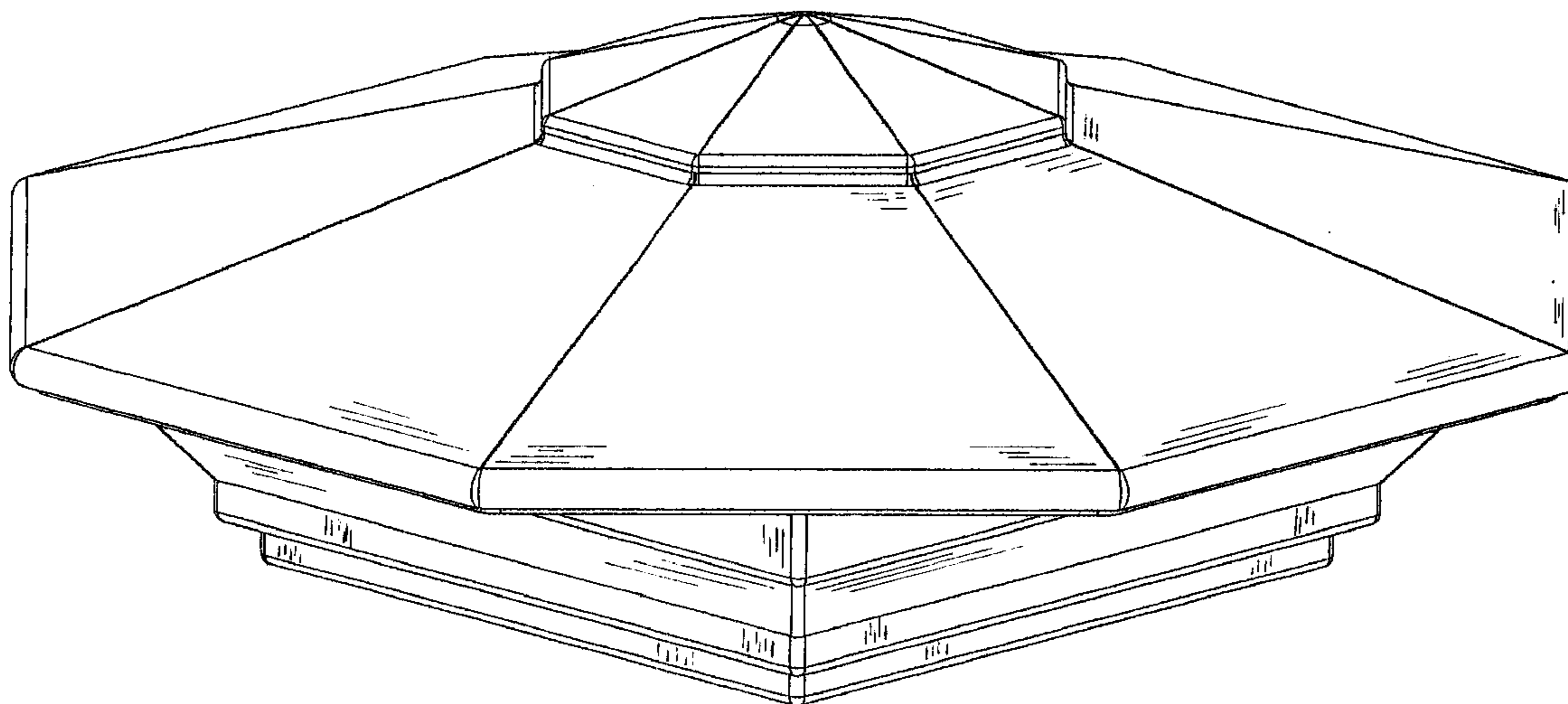
FIG. 1 is an isometric view of an octagon post cap according to the present invention;

FIG. 2 is a top view of the octagon post cap;

FIG. 3 is a bottom view of the octagon post cap; and,

FIG. 4 is a side view of the octagon post cap (the sides have generally the same appearance).

**1 Claim, 4 Drawing Sheets**



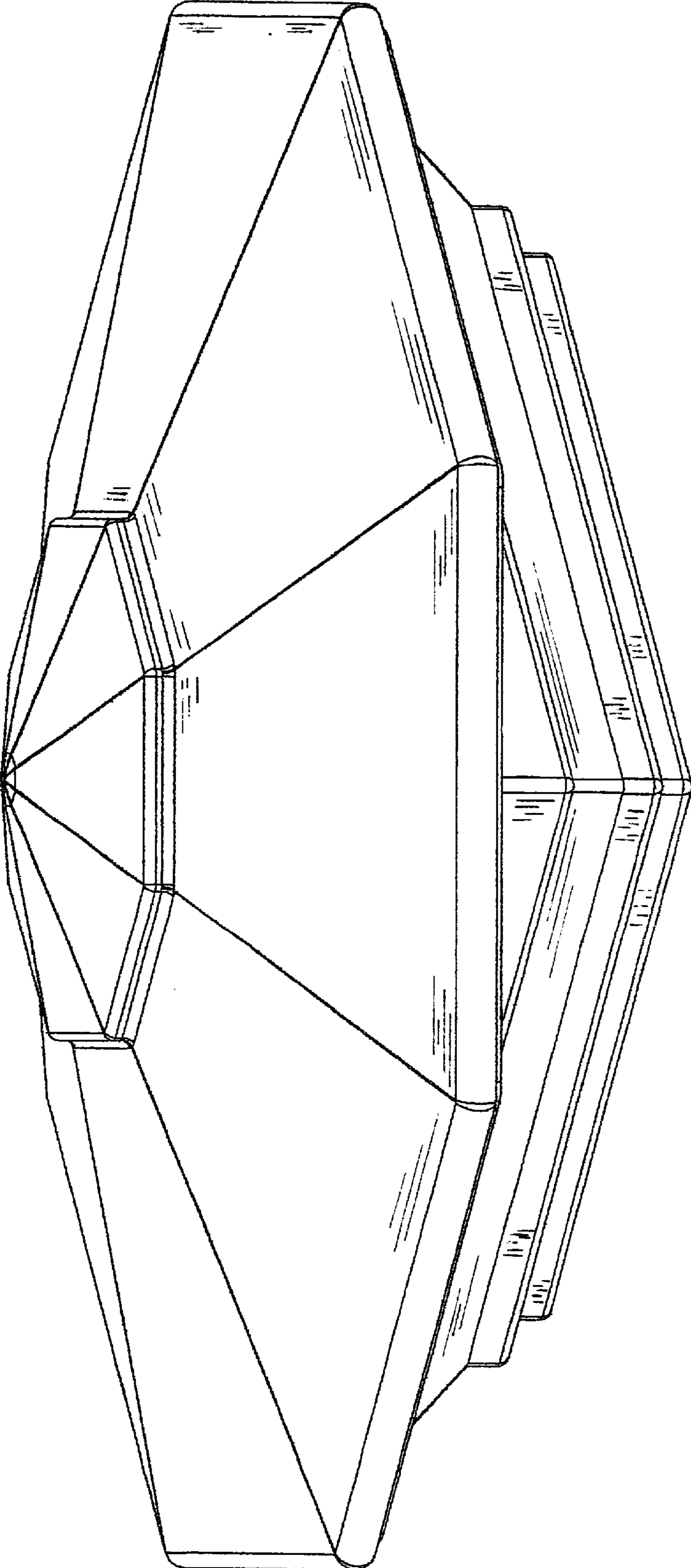


Figure 1

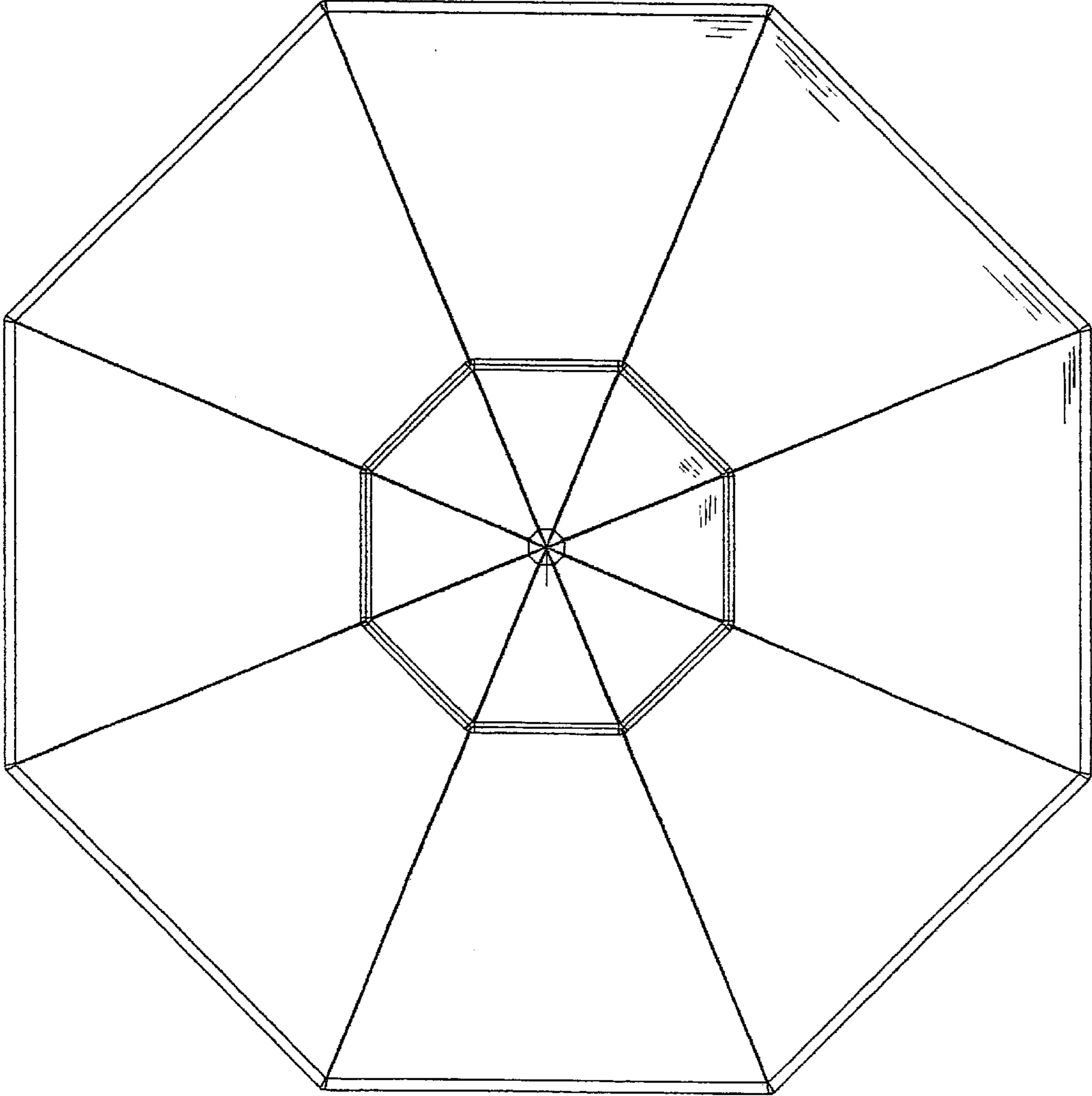


Figure 2

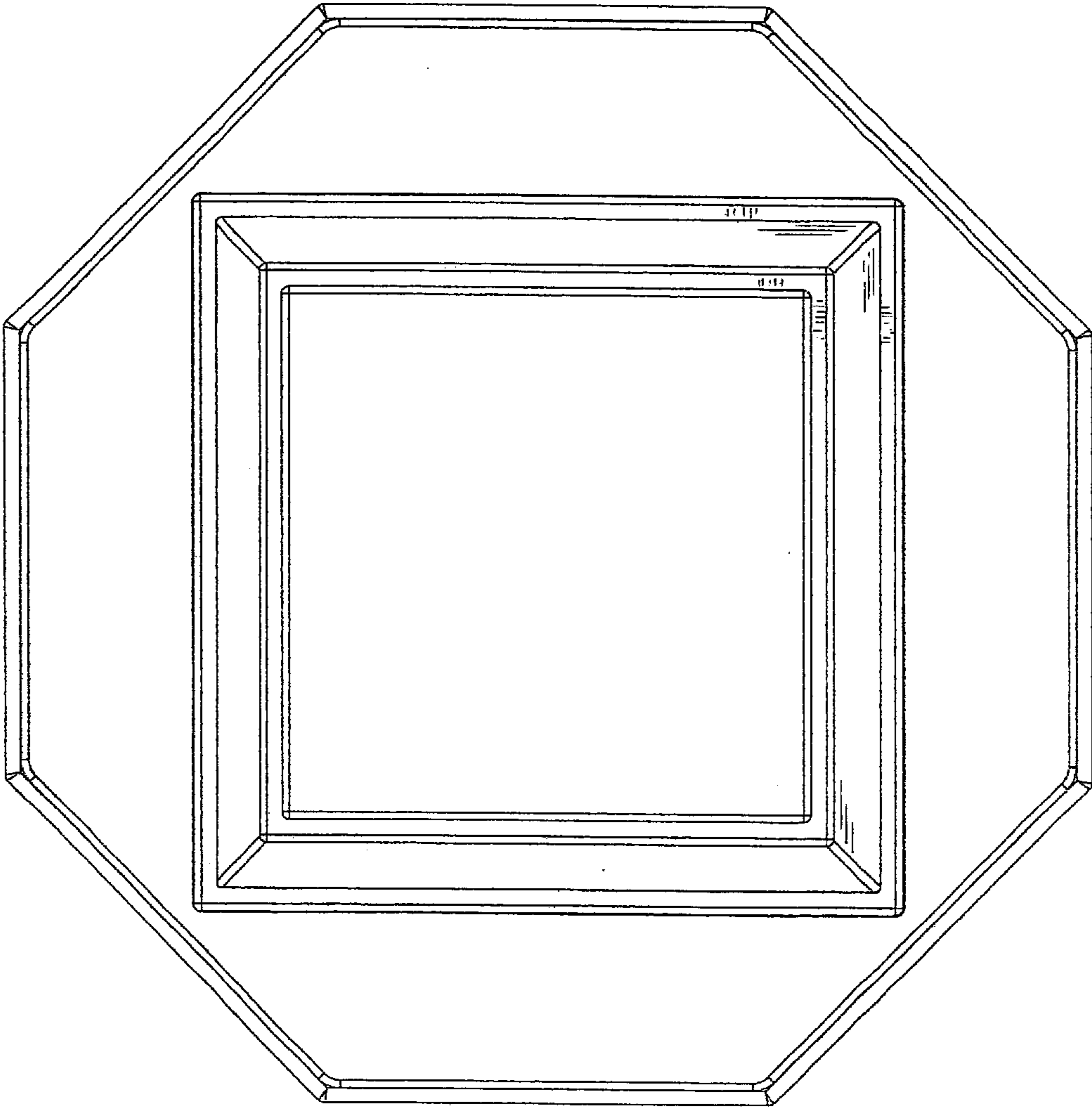


Figure 3

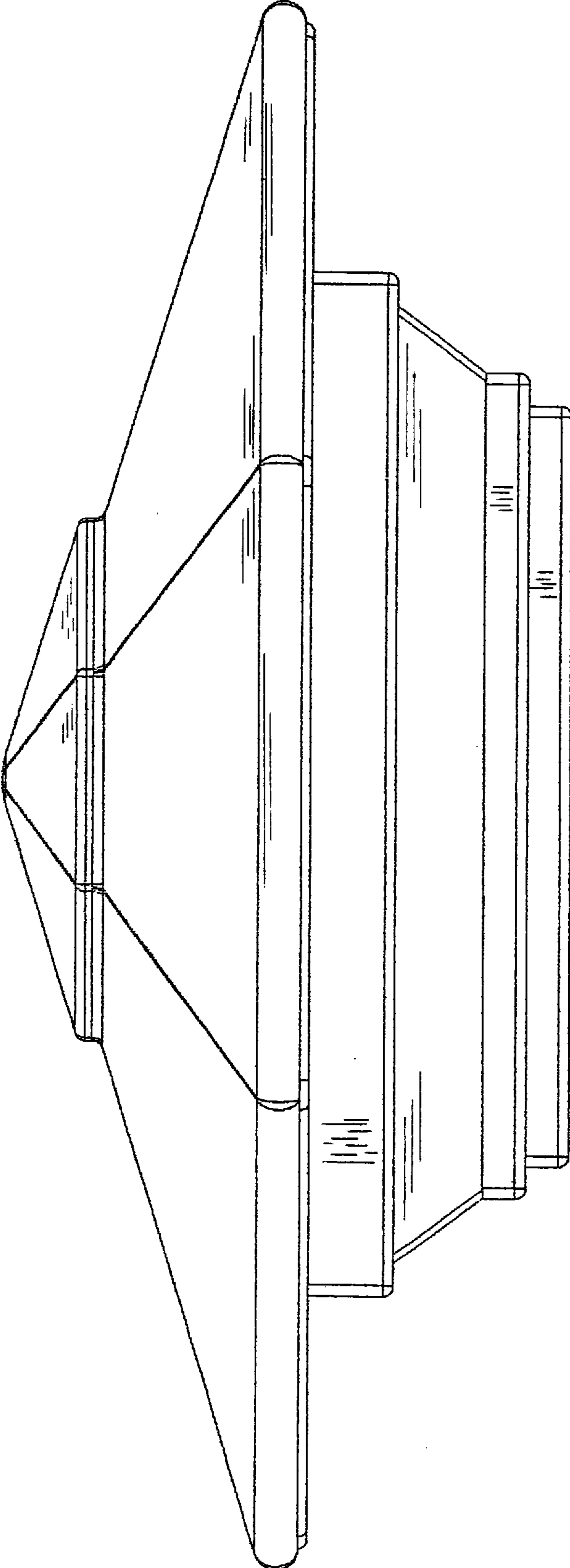


Figure 4