

US00D509914S

(12) **United States Design Patent**
Rosian

(10) **Patent No.: US D509,914 S**
(45) **Date of Patent: ** Sep. 20, 2005**

(54) **COVER FOR RAIL ATTACHMENT**

(76) Inventor: **Michael J. Rosian**, P.O. Box 1041,
Orland Park, IL (US) 60462

(**) Term: **14 Years**

(21) Appl. No.: **29/195,636**

(22) Filed: **Dec. 15, 2003**

(51) **LOC (8) Cl. 25-01**

(52) **U.S. Cl. D25/135**

(58) **Field of Search D25/133, 135;**
52/721.5, 723.2; 256/65.01, 65.02, 65.04,
65.05, 65.06

(56) **References Cited**

U.S. PATENT DOCUMENTS

D303,716 S	9/1989	Waller	D8/354
5,873,671 A	2/1999	West	403/232.1
6,311,957 B1 *	11/2001	Driscoll et al.	256/65.05
D456,087 S *	4/2002	Merrick	D25/135
D458,389 S *	6/2002	Abbestam	D25/133
6,471,192 B1 *	10/2002	Erwin	256/65.05
D493,993 S	8/2004	Roberts, III et al.	D6/550
2003/0030048 A1	2/2003	Quaintance, et al.	256/59
2003/0164486 A1	9/2003	West	256/65.1

OTHER PUBLICATIONS

Cover from Kroy Building Products, Inc. of York, Nebraska.
Cover from Homeland@Vinyl Fence Ltd. of Brampton,
Ontario, Canada.

* cited by examiner

Primary Examiner—Doris Clark

(74) *Attorney, Agent, or Firm*—McAndrews, Held &
Malloy, Ltd.

(57) **CLAIM**

I claim the ornamental design for the cover for rail attach-
ment, as shown and described.

DESCRIPTION

FIG. 1 is a perspective view of a cover for a rail attachment
according to the present invention;

FIG. 2 is a top view of the cover for a rail attachment;

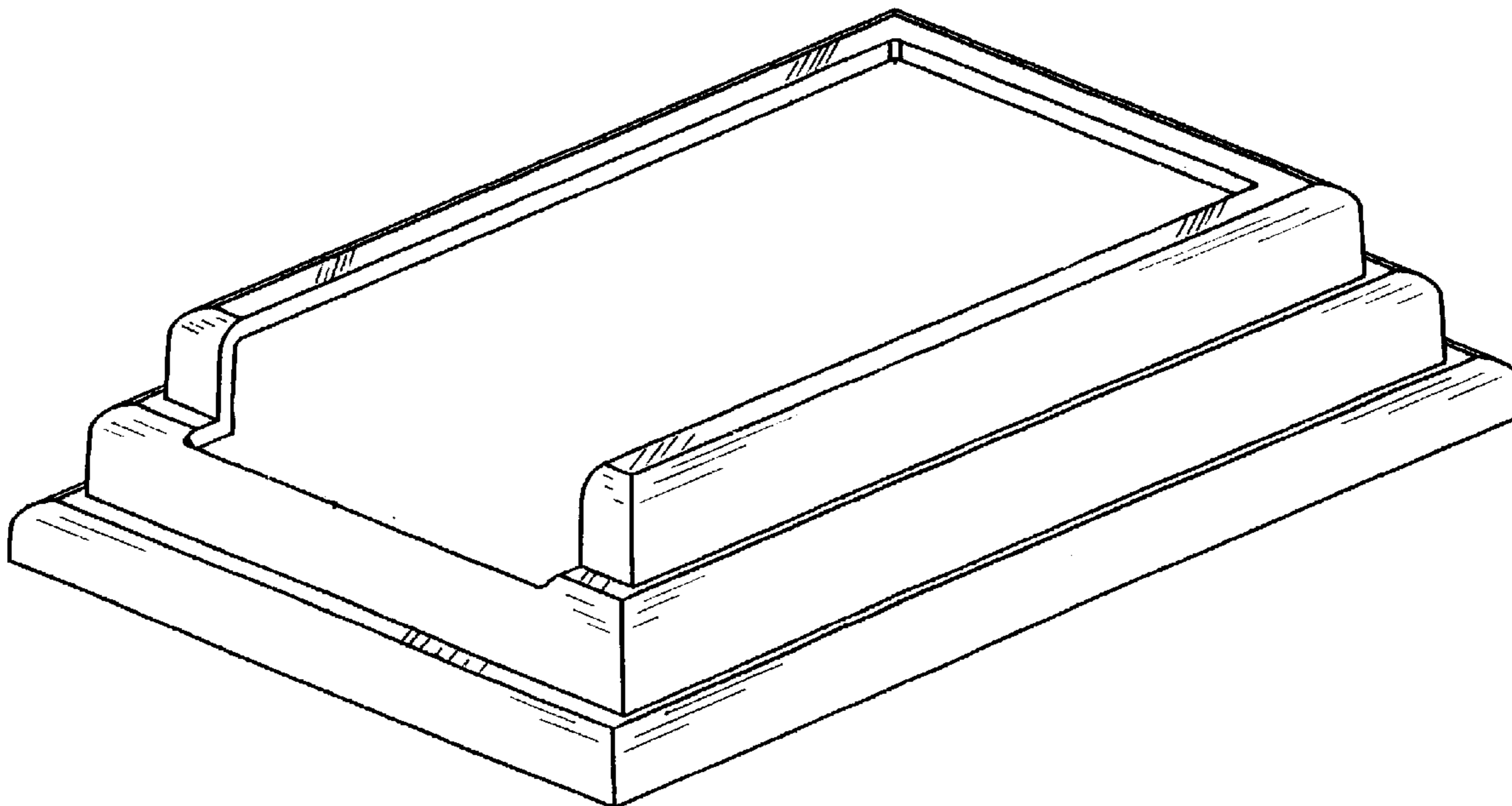
FIG. 3 is a view of a first side of the cover for a rail
attachment;

FIG. 4 is an upside-down view of a second side of the cover
for a rail attachment;

FIG. 5 is a view of a third side of the cover for a rail
attachment; and,

FIG. 6 is a view of a fourth side of the cover for a rail
attachment. Ordinarily, the bottom of the cover will not be
visible when the cover is in use as a cover for a rail
attachment.

1 Claim, 6 Drawing Sheets



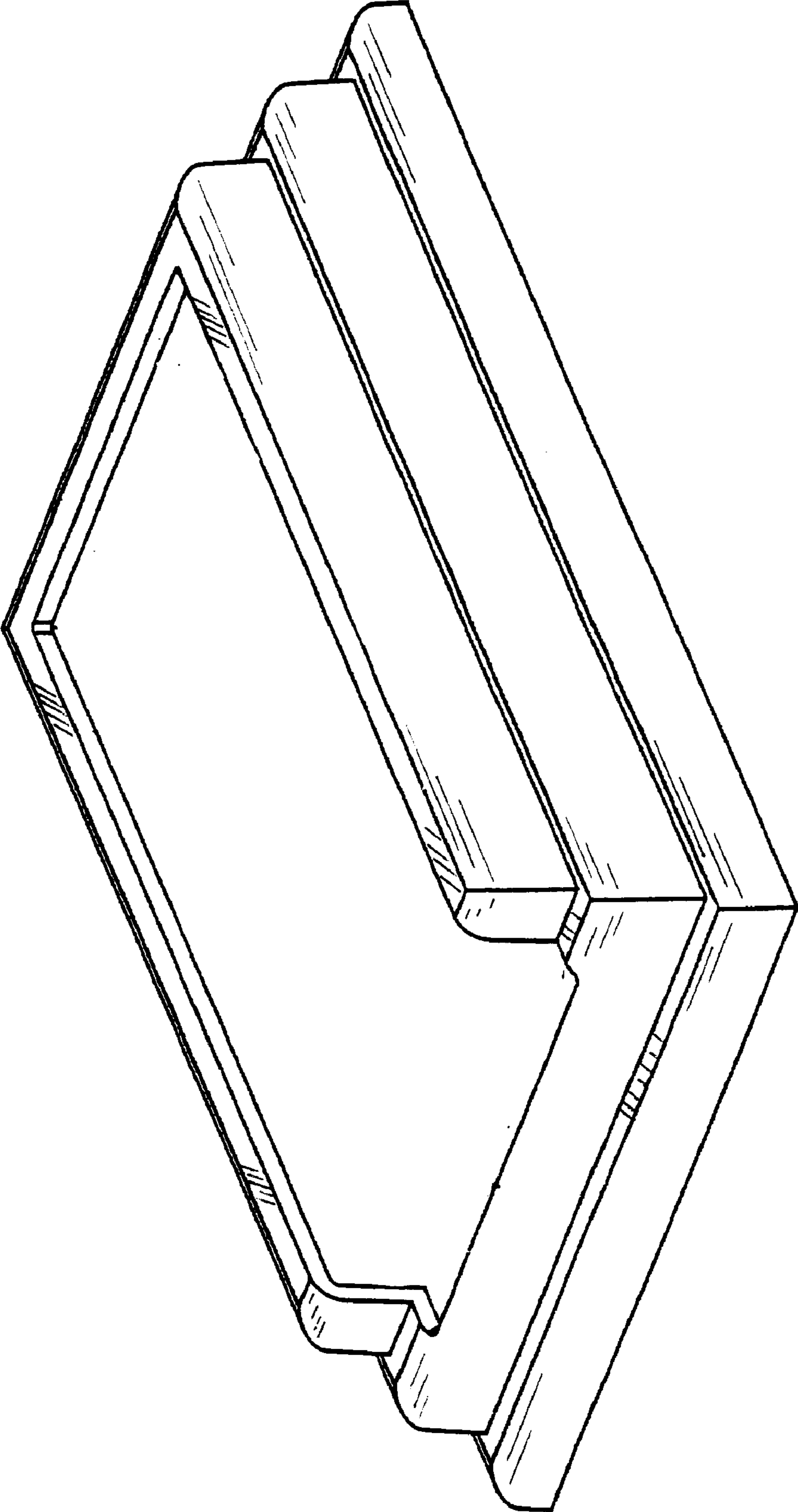


Figure 1

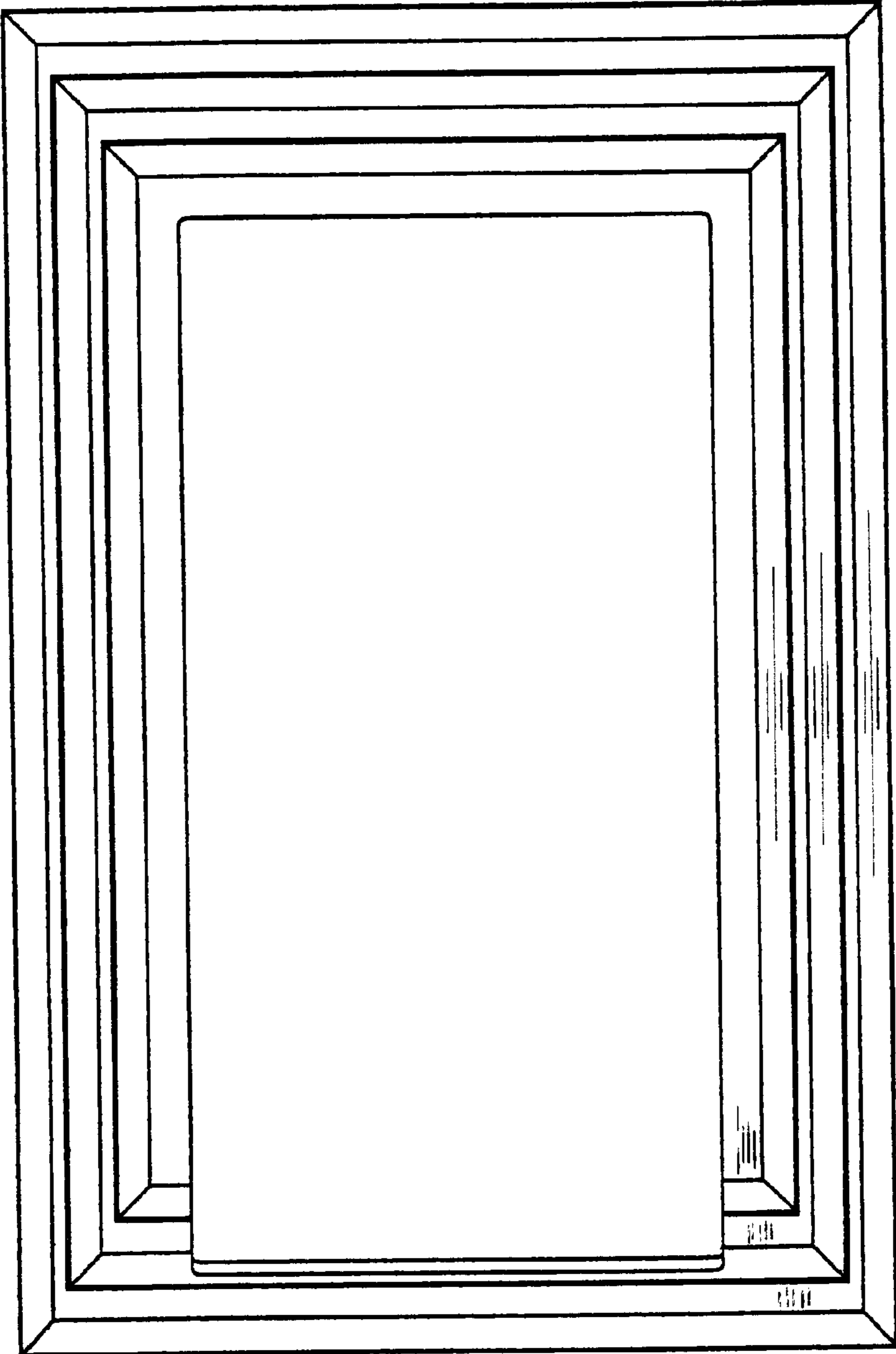


Figure 2

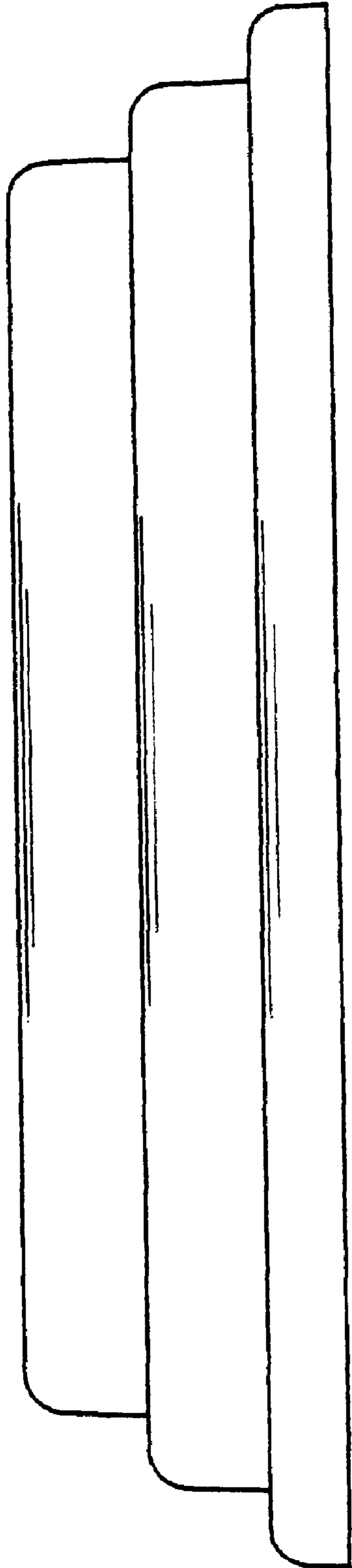


Figure 3

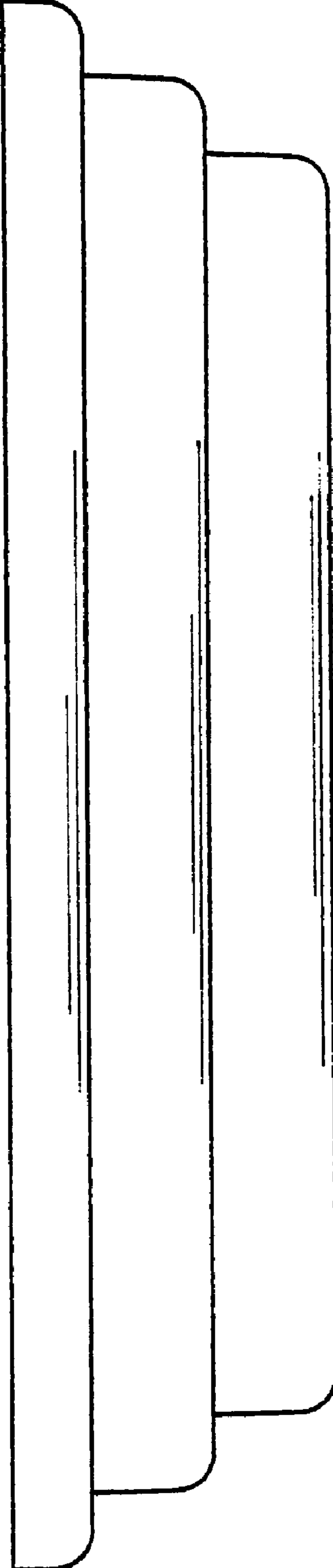


Figure 4

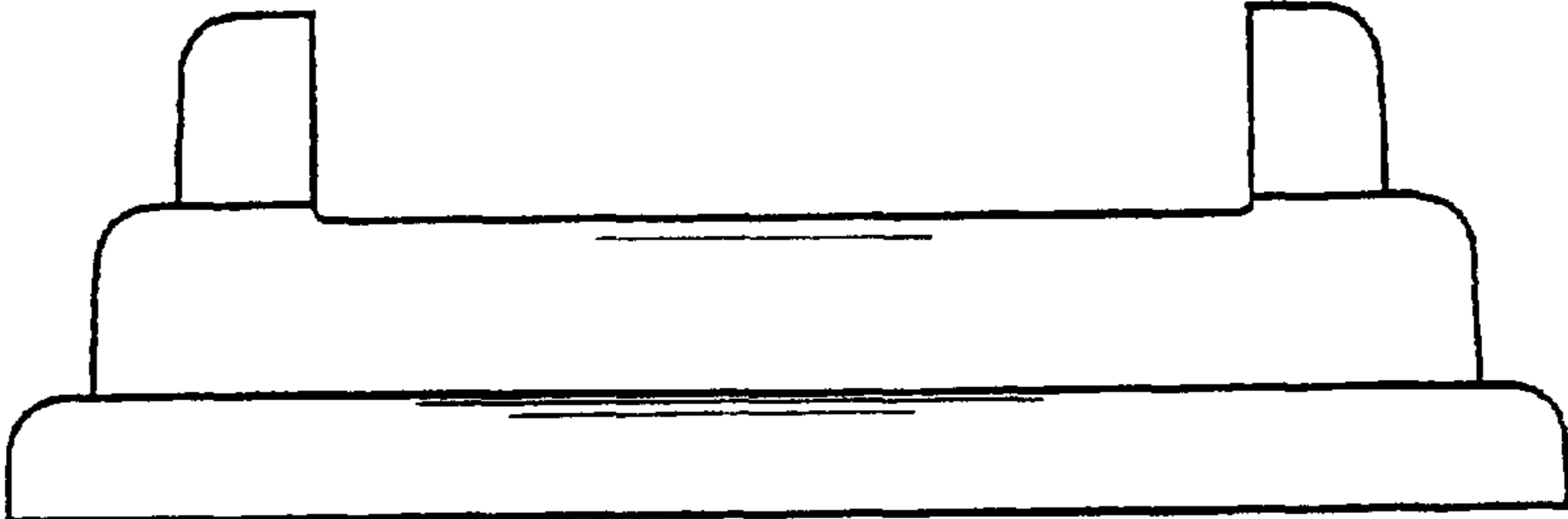


Figure 5

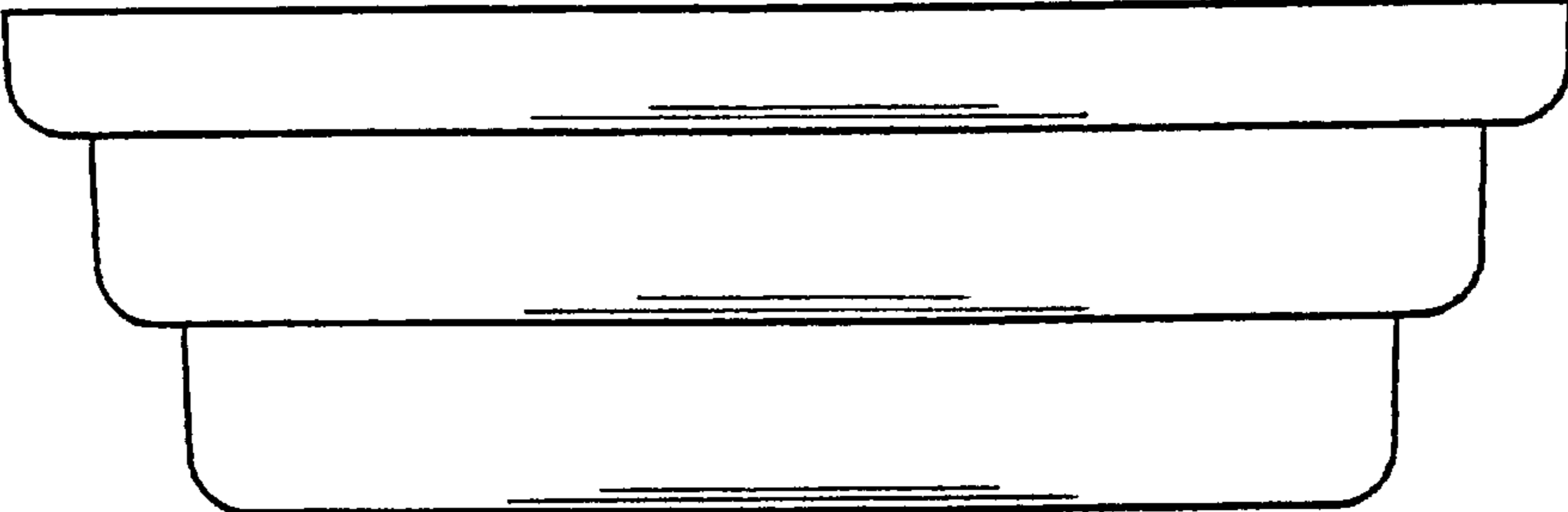


Figure 6