

US00D509910S

(12) **United States Design Patent**
Risi et al.

(10) **Patent No.: US D509,910 S**

(45) **Date of Patent: ** Sep. 20, 2005**

(54) **RETAINING WALL BLOCK**

(75) Inventors: **Angelo Risi**, Richmond Hill (CA);
Tyler Matys, Aurora (CA)

(73) Assignee: **Jagna Ltd.**, Thornhill (CA)

(**) Term: **14 Years**

(21) Appl. No.: **29/211,358**

(22) Filed: **Aug. 16, 2004**

(51) **LOC (8) Cl. 25-01**

(52) **U.S. Cl. D25/113**

(58) **Field of Search** D25/112-118,
D25/164, 151; D21/483-486, 499-505;
405/15-16, 284, 286; 404/34, 37-42, 44-45;
52/102, 503-505, 596-609, 612

(56) **References Cited**

U.S. PATENT DOCUMENTS

760,774 A * 5/1904 Blakeslee D25/113
D278,935 S * 5/1985 Scheiwiller D25/118

5,622,456 A * 4/1997 Risi et al. 405/284
D403,437 S * 12/1998 Risi et al. D25/113
D403,785 S * 1/1999 Risi et al. D25/113
D451,207 S * 11/2001 Risi D25/113

* cited by examiner

Primary Examiner—Robert A. Delehanty

(74) *Attorney, Agent, or Firm*—Robic

(57) **CLAIM**

The ornamental design for a retaining wall block, as shown and described.

DESCRIPTION

FIG. 1 is a front perspective view of the retaining wall block, showing our new design;

FIG. 2 is a top plan elevational view thereof;

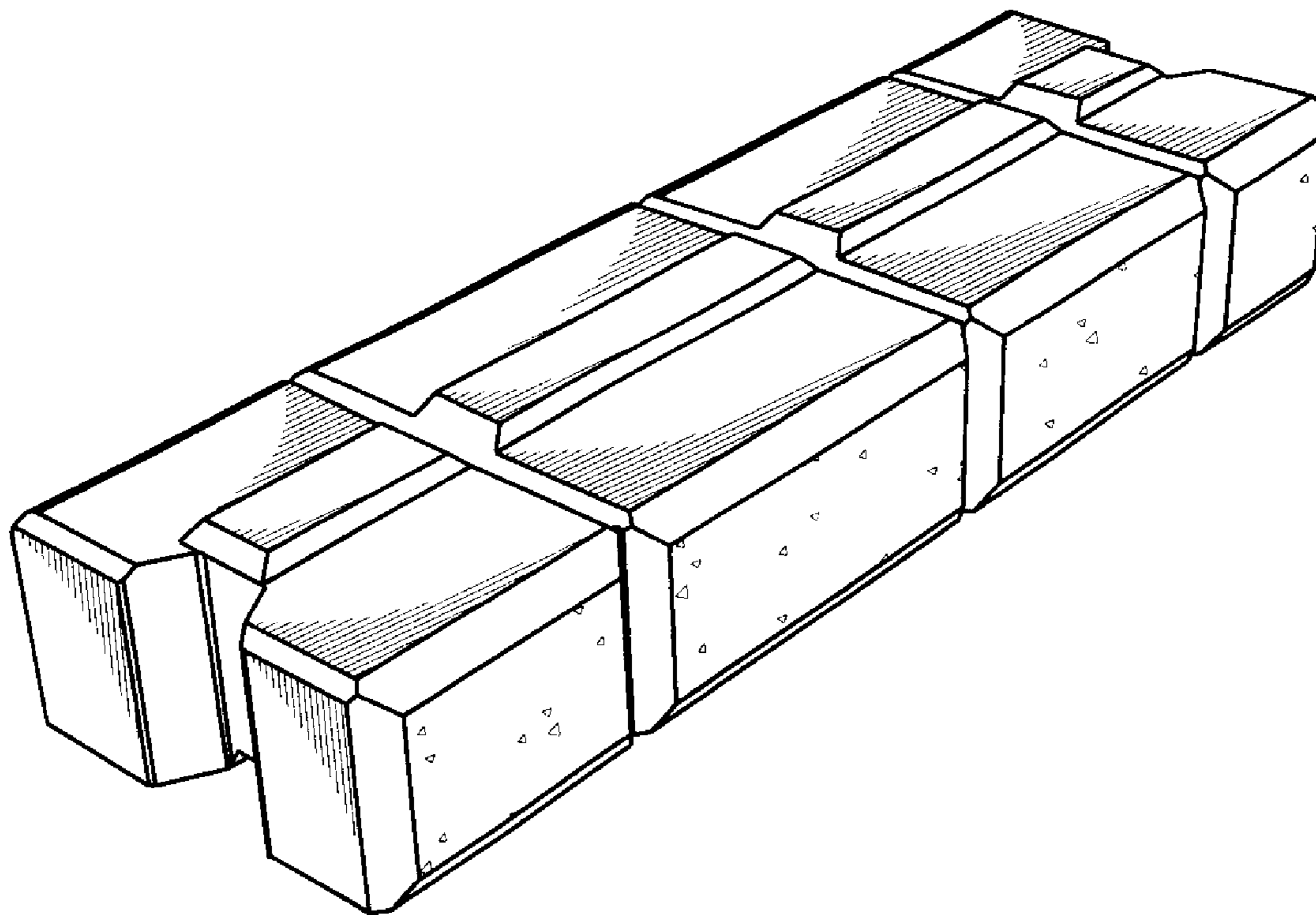
FIG. 3 is a front elevational view thereof;

FIG. 4 is a left side view thereof;

FIG. 5 is a rear side view thereof; and,

FIG. 6 is a bottom plan view thereof.

1 Claim, 3 Drawing Sheets



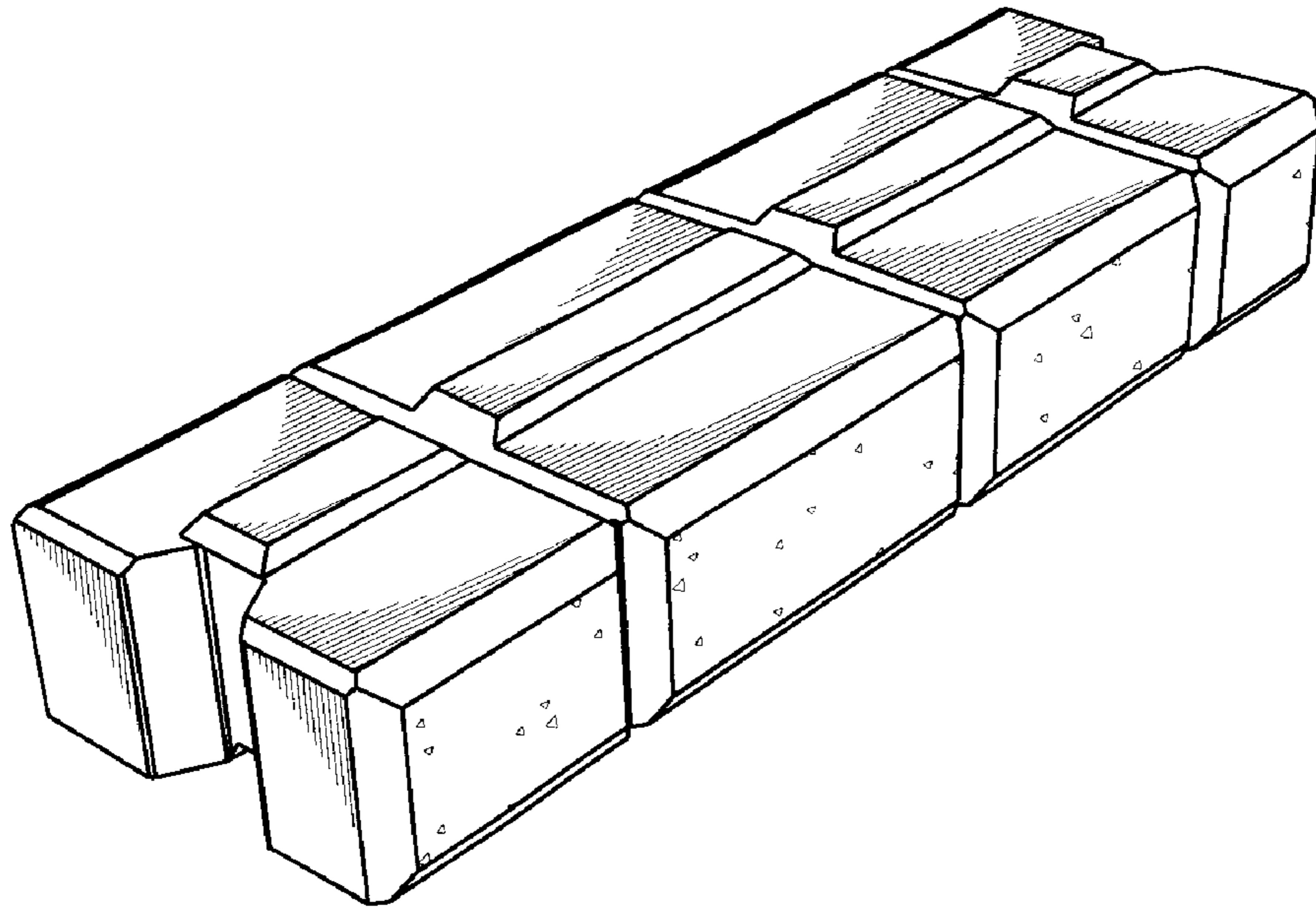


Figure 1

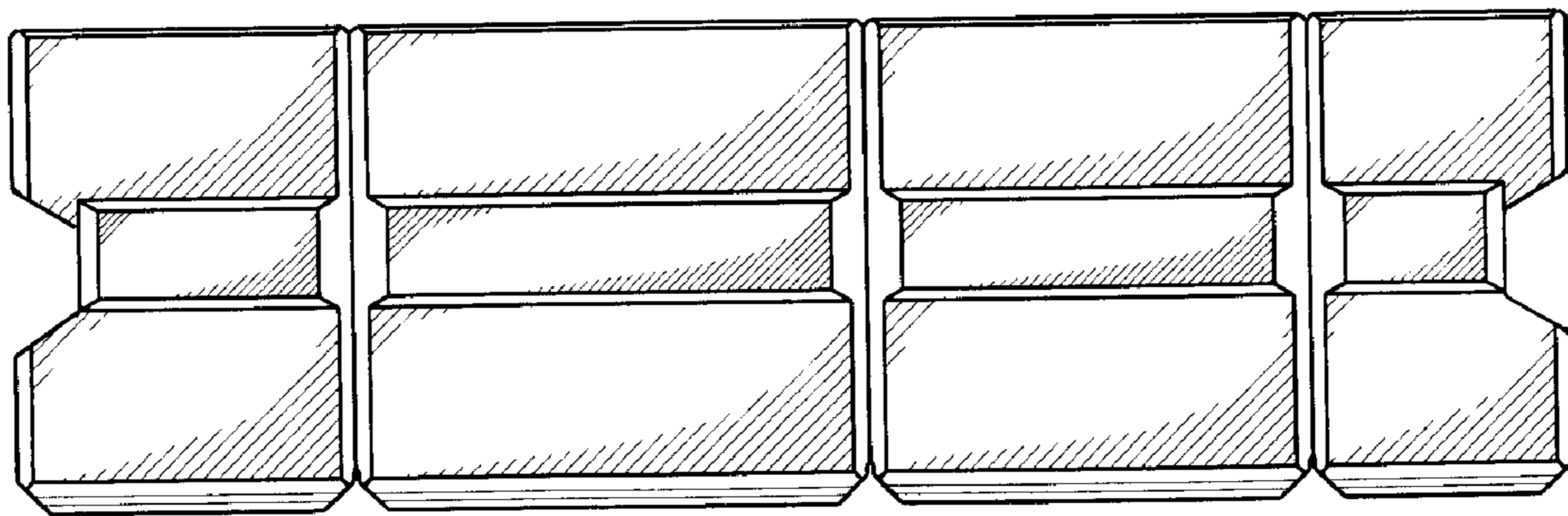


Figure 2

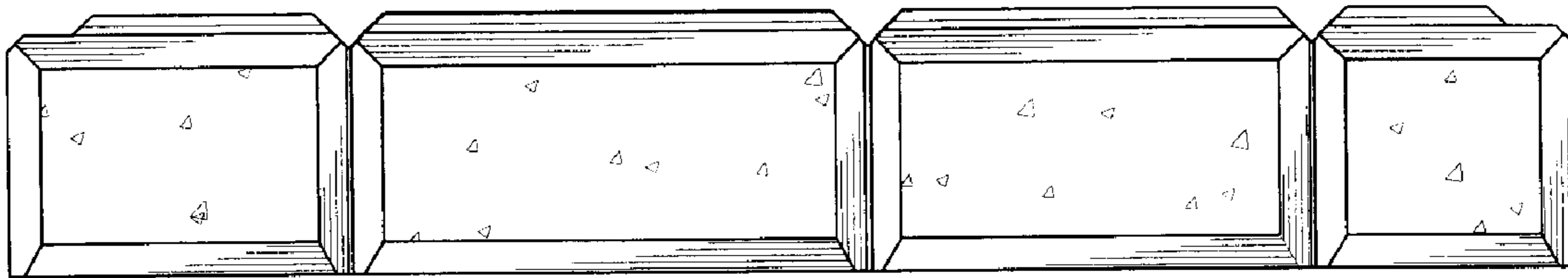


Figure 3

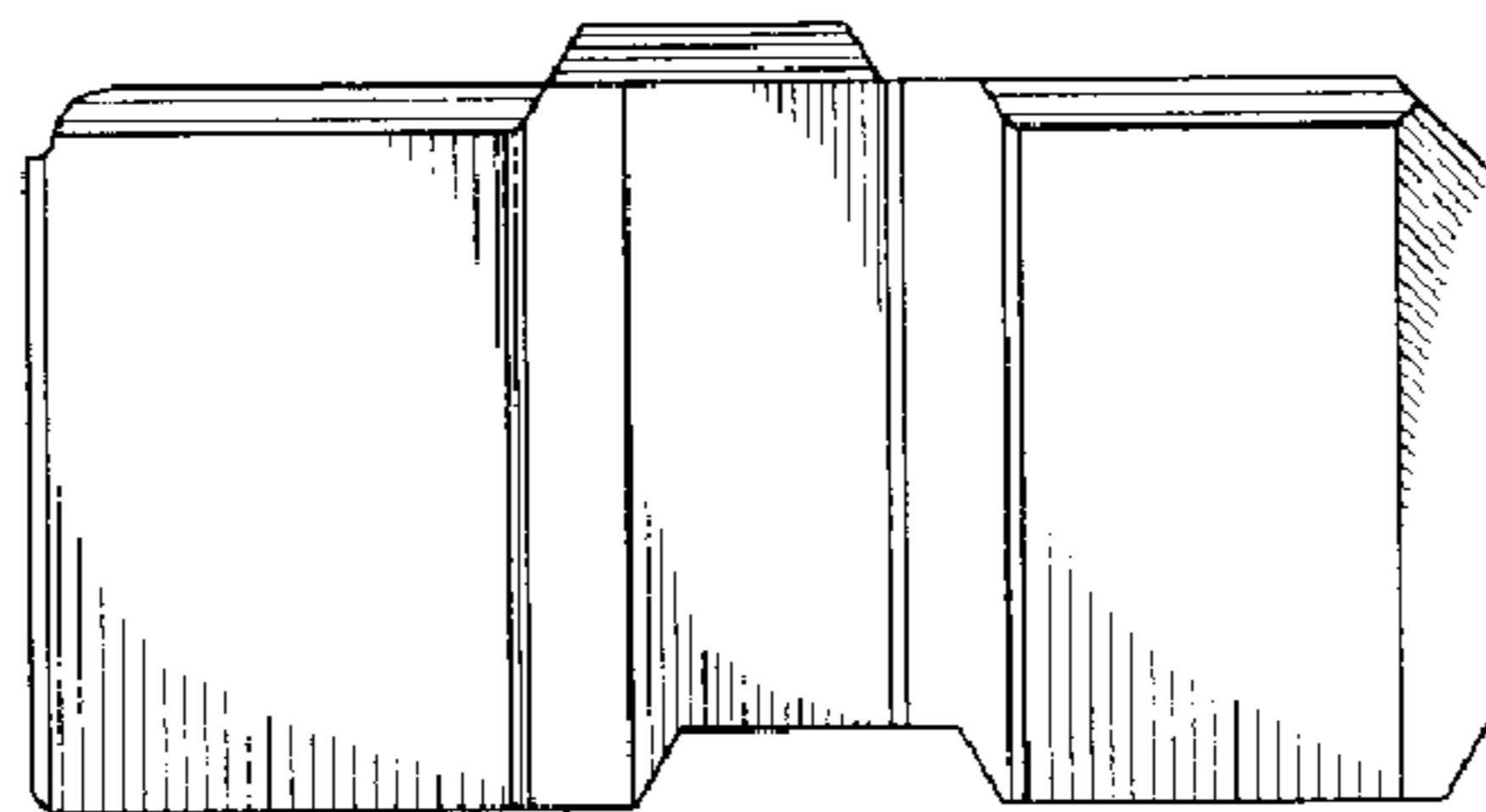


Figure 4

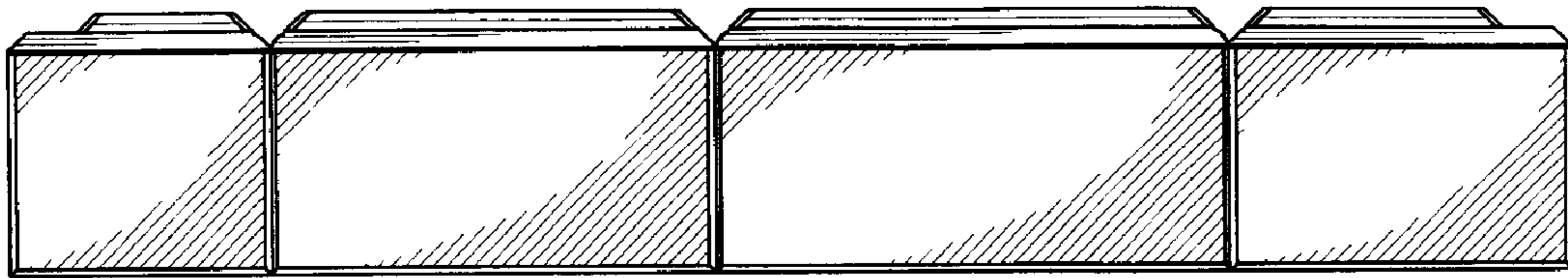


Figure 5

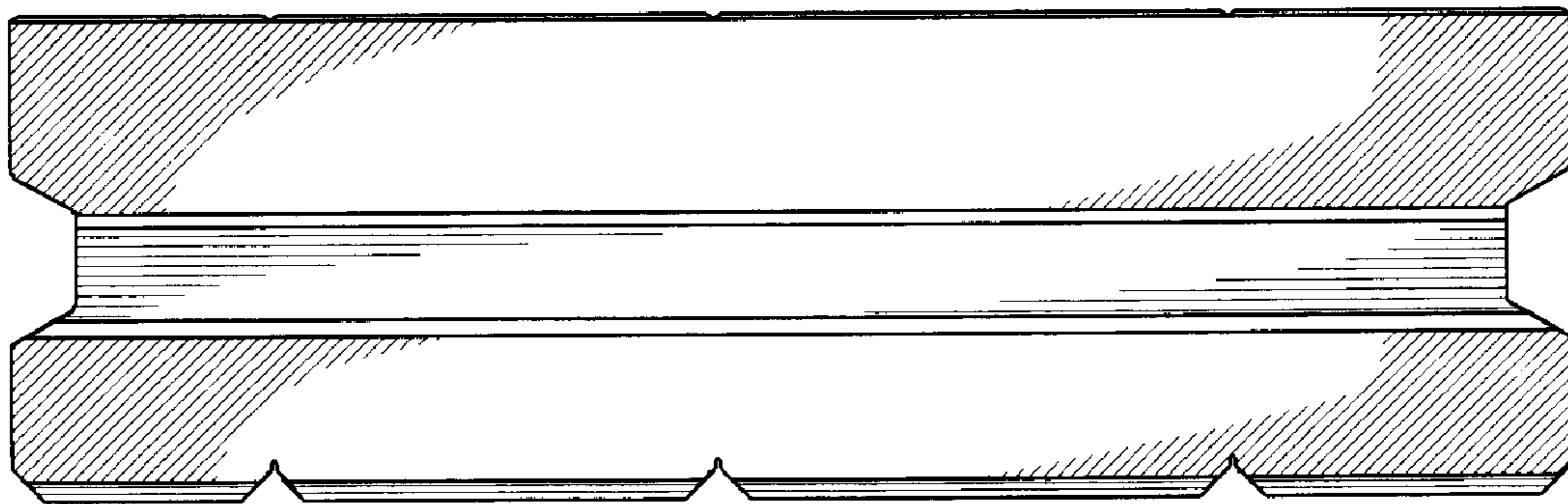


Figure 6