



US00D509906S

(12) **United States Design Patent**
Enersen

(10) **Patent No.:** **US D509,906 S**

(45) **Date of Patent:** **** Sep. 20, 2005**

(54) **HANDRAIL FOR ESCAPE ROUTES AND FLIGHTS OF STEPS, WITH INTEGRATED RECESS FOR FLUORIDIZING ELEMENT**

6,565,069 B2 * 5/2003 Morris 256/73

* cited by examiner

(75) Inventor: **Rolf Enersen**, Eidsvoll (NO)

Primary Examiner—Doris Clark

(73) Assignee: **Everglow AS**, Eidsvoll (NO)

(74) *Attorney, Agent, or Firm*—Moser, Patterson & Sheridan, L.L.P.

(**) Term: **14 Years**

(57) **CLAIM**

(21) Appl. No.: **29/214,413**

The ornamental design for a handrail for escape routes and flights of steps, with integrated recess for fluoridizing element, as shown and described.

(22) Filed: **Oct. 1, 2004**

(51) **LOC (8) Cl.** **25-02**

(52) **U.S. Cl.** **D25/38**

(58) **Field of Search** D25/38; 256/59, 256/63, 64, 65.02, 65.04, 65.05, 65.16

DESCRIPTION

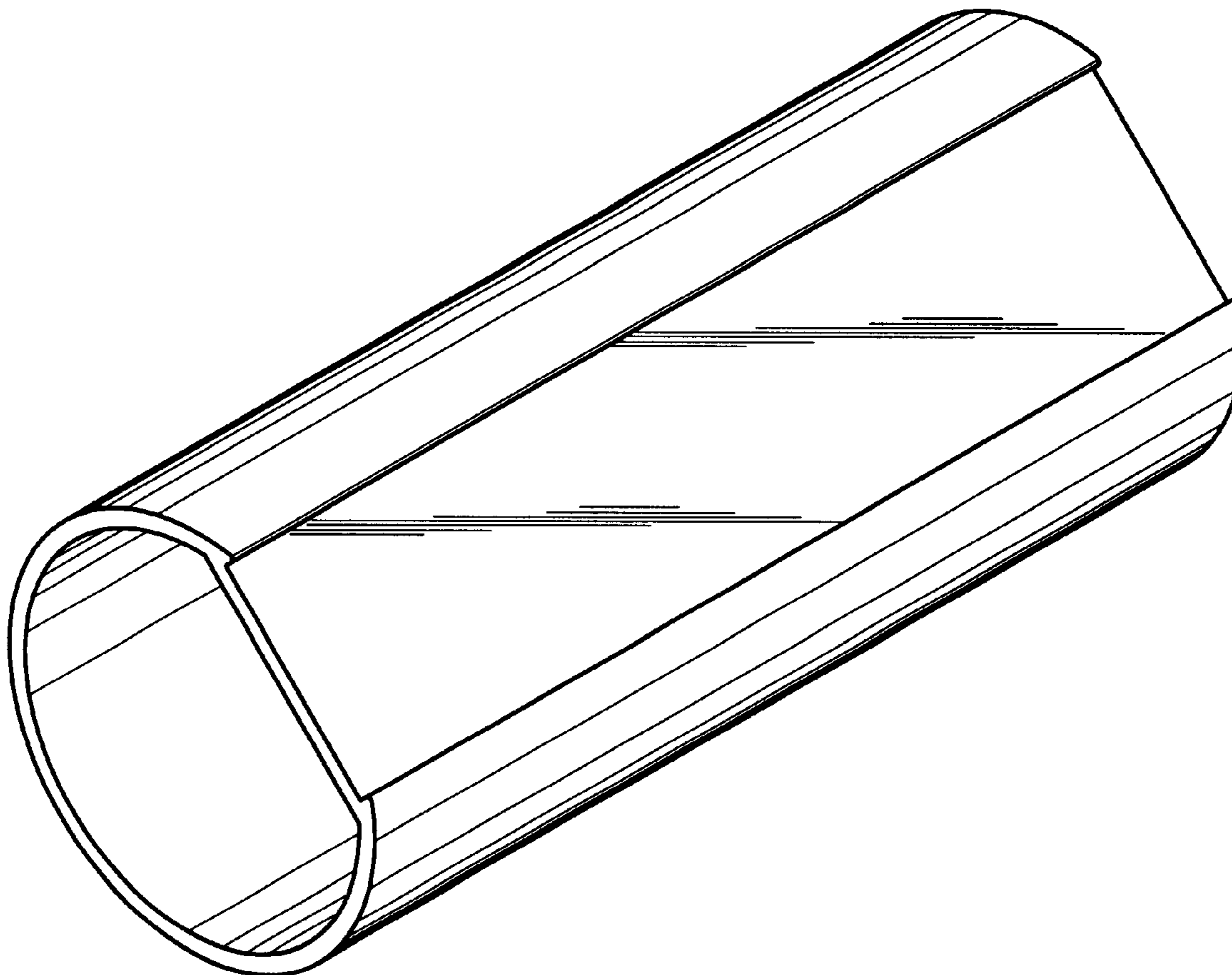
(56) **References Cited**

FIG. 1 is a top perspective view of the invention.
FIG. 2 is a top view of the invention
FIG. 3 is a side view of the invention.
FIG. 4 is a bottom view of the invention; and,
FIG. 5 is a front view of the invention.

U.S. PATENT DOCUMENTS

D353,466 S * 12/1994 McCue et al. D25/38

1 Claim, 2 Drawing Sheets



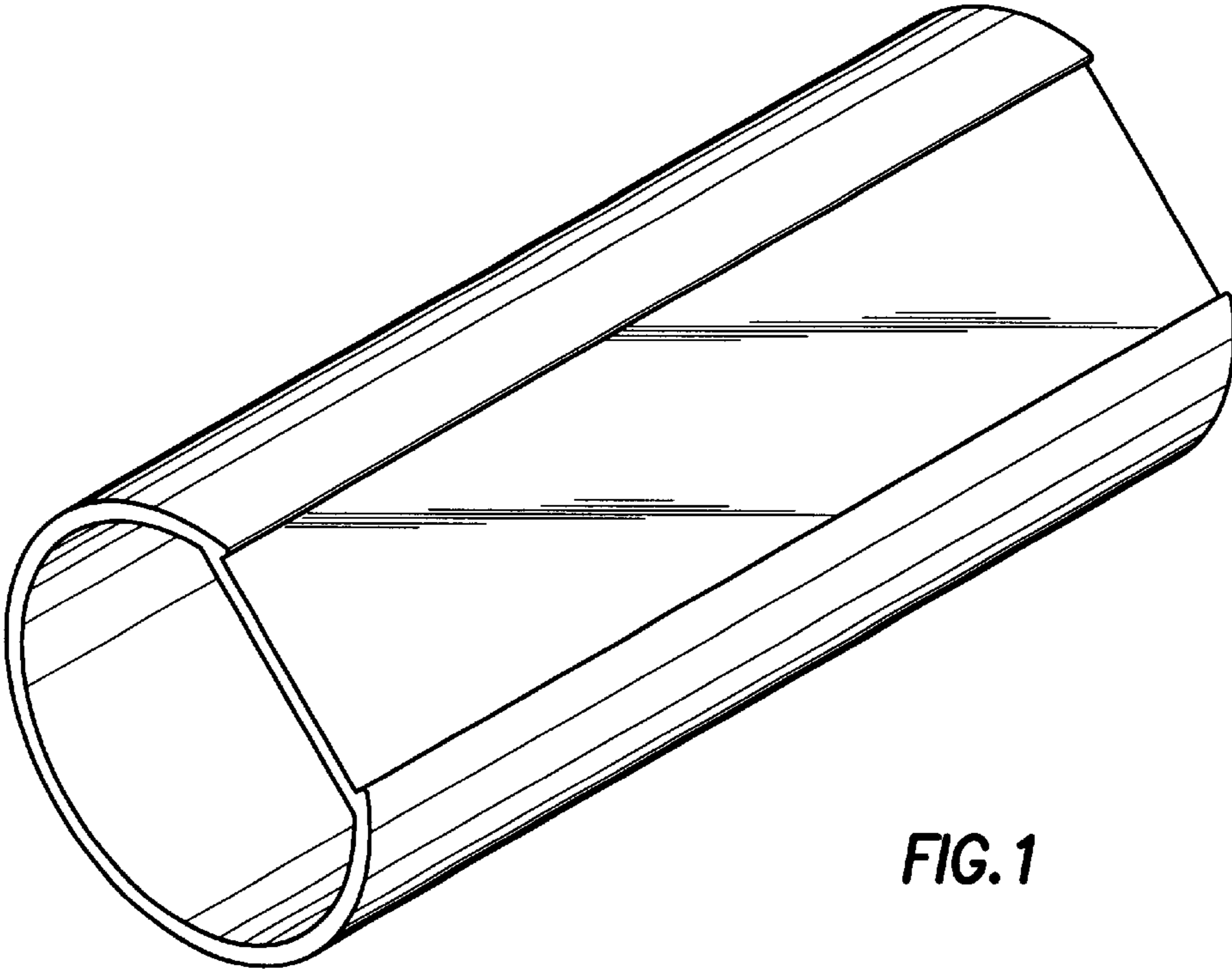


FIG. 1

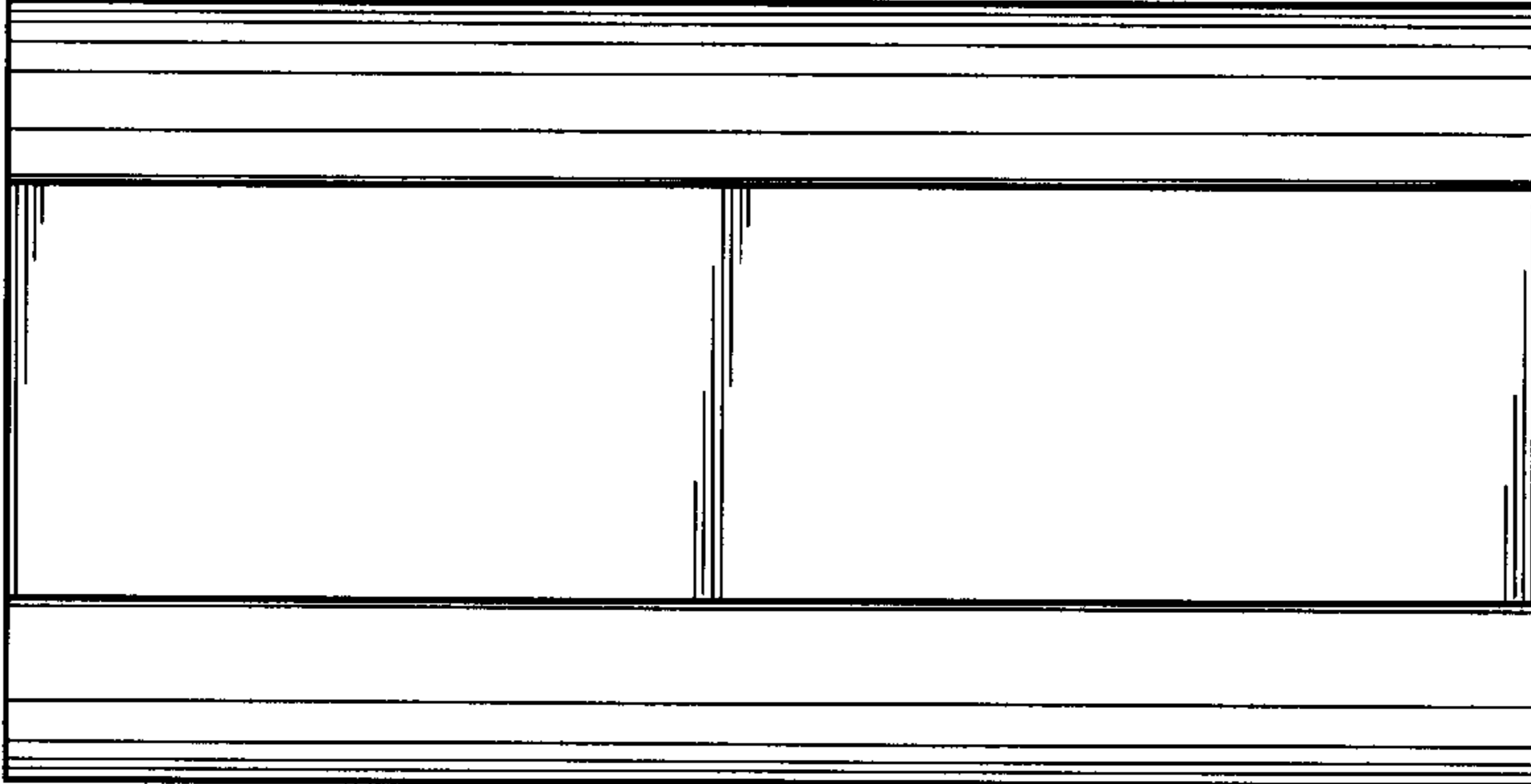


FIG. 2

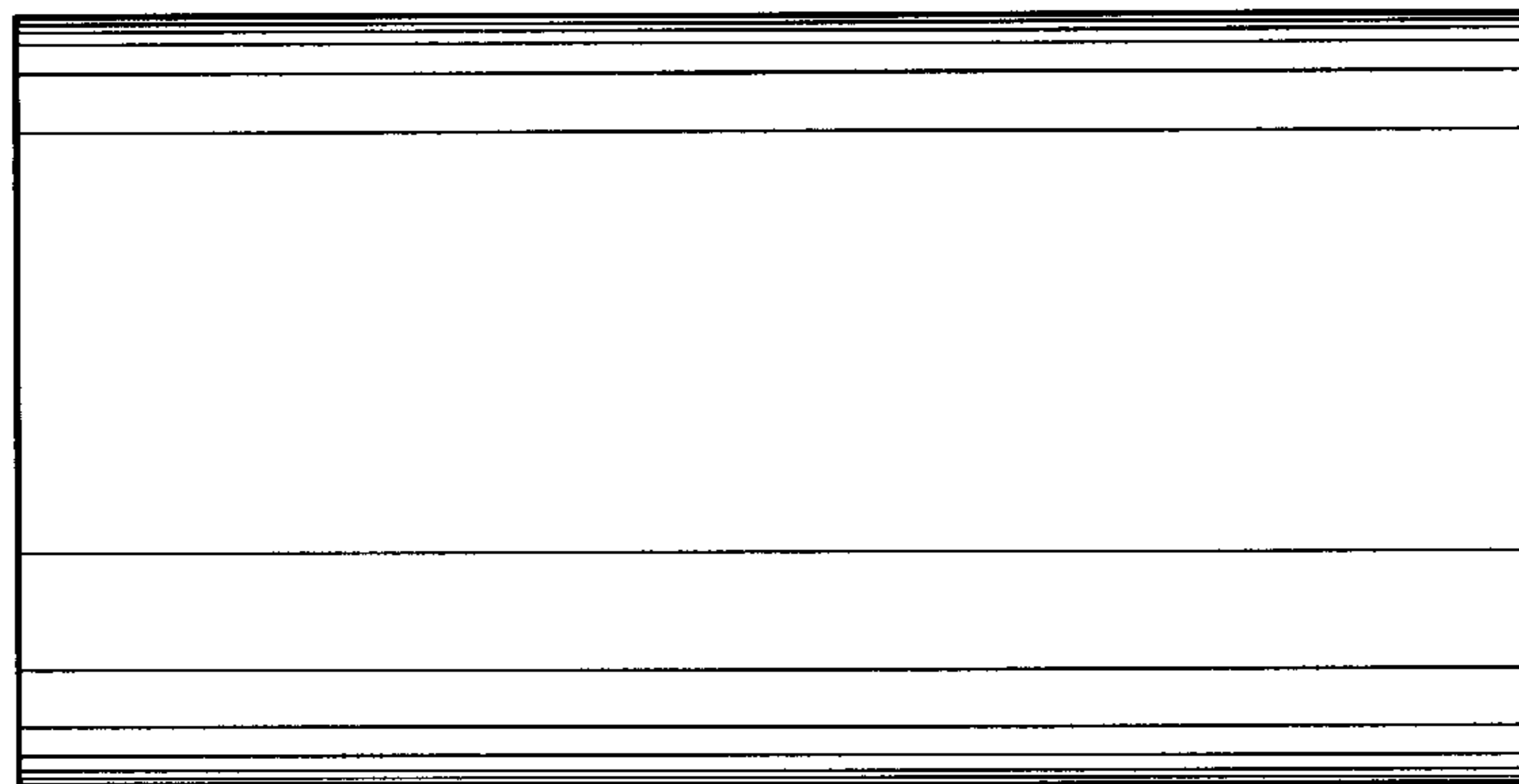


FIG. 3

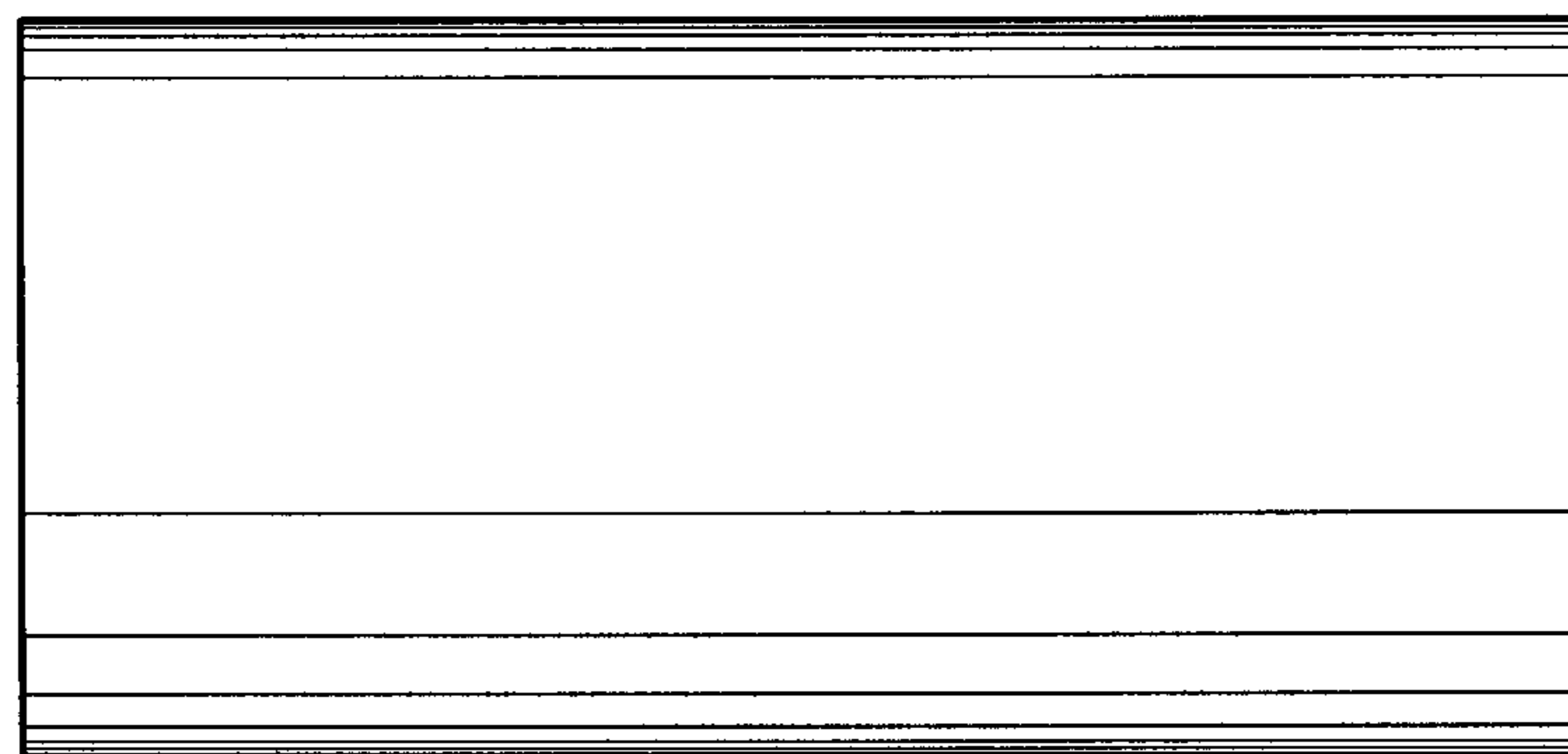


FIG. 4

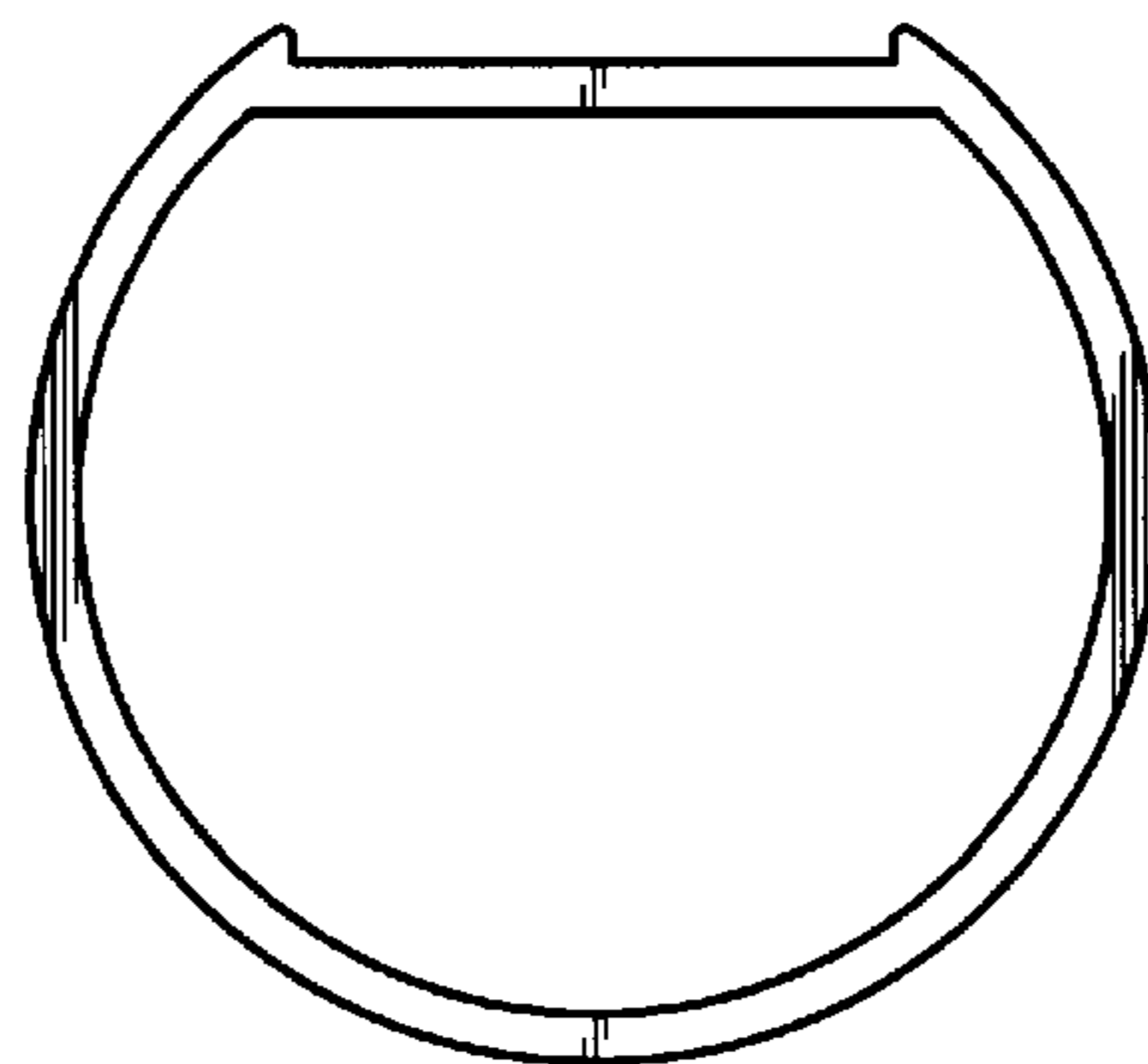


FIG. 5