

US00D509905S

(12) **United States Design Patent**  
**Baker**

(10) **Patent No.:** **US D509,905 S**

(45) **Date of Patent:** **\*\* Sep. 20, 2005**

(54) **AUXILIARY HANDRAIL**

JP 129883 5/2000

(76) Inventor: **Michael L. Baker**, 3495 N. St. Rd.,  
Madison, FL (US) 32340

\* cited by examiner

(\*\*) Term: **14 Years**

*Primary Examiner*—Doris Clark  
(74) *Attorney, Agent, or Firm*—Stephen R. Greiner

(21) Appl. No.: **29/208,651**

(57) **CLAIM**

(22) Filed: **Jul. 2, 2004**

The ornamental design for an auxiliary handrail, as shown and described.

(51) **LOC (8) Cl.** ..... **25-02**

(52) **U.S. Cl.** ..... **D25/38**

(58) **Field of Search** ..... D25/38, 126; 256/59,  
256/63, 64, 65.02, 65.04, 65.05, 65.16

**DESCRIPTION**

(56) **References Cited**

**U.S. PATENT DOCUMENTS**

- 4,216,725 A 8/1980 Hallam
- 4,261,550 A 4/1981 Gregory
- 4,948,100 A \* 8/1990 Stevens ..... 256/65.14
- 5,024,420 A 6/1991 Downing
- 5,076,547 A 12/1991 Osterholm
- 5,280,934 A 1/1994 Monte
- 6,425,572 B1 7/2002 Lehr
- D468,835 S \* 1/2003 Schiefelbein et al. .... D25/38

FIG. 1 is a perspective view of an auxiliary handrail showing my new design;

FIG. 2 is a rear elevational view thereof;

FIG. 3 is a front elevational view thereof;

FIG. 4 is a top view thereof;

FIG. 5 is a right side elevational view thereof;

FIG. 6 is a left side elevational view thereof; and,

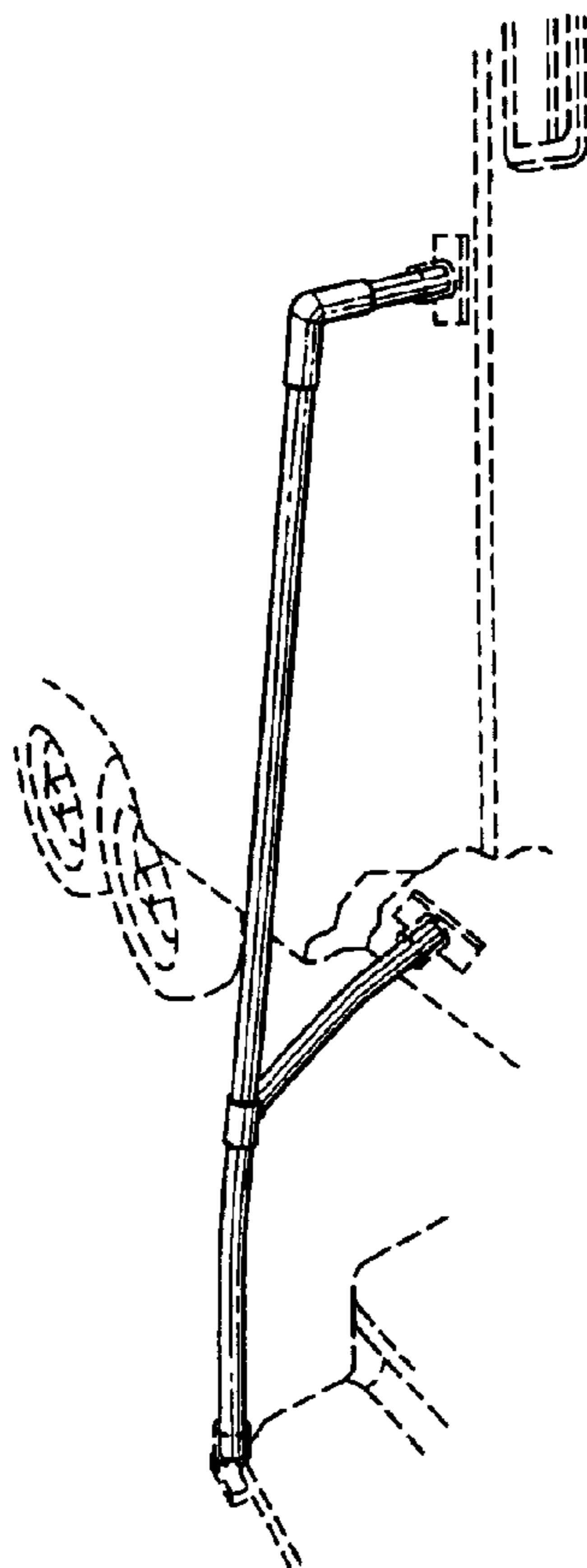
FIG. 7 is a bottom view thereof.

The broken line showing of a fragmentary portion of a camping trailer and its telescoping stairway in FIG. 1 is for demonstrative purposes only and forms no part of the claimed design.

**FOREIGN PATENT DOCUMENTS**

JP 7259462 7/1995

**1 Claim, 2 Drawing Sheets**



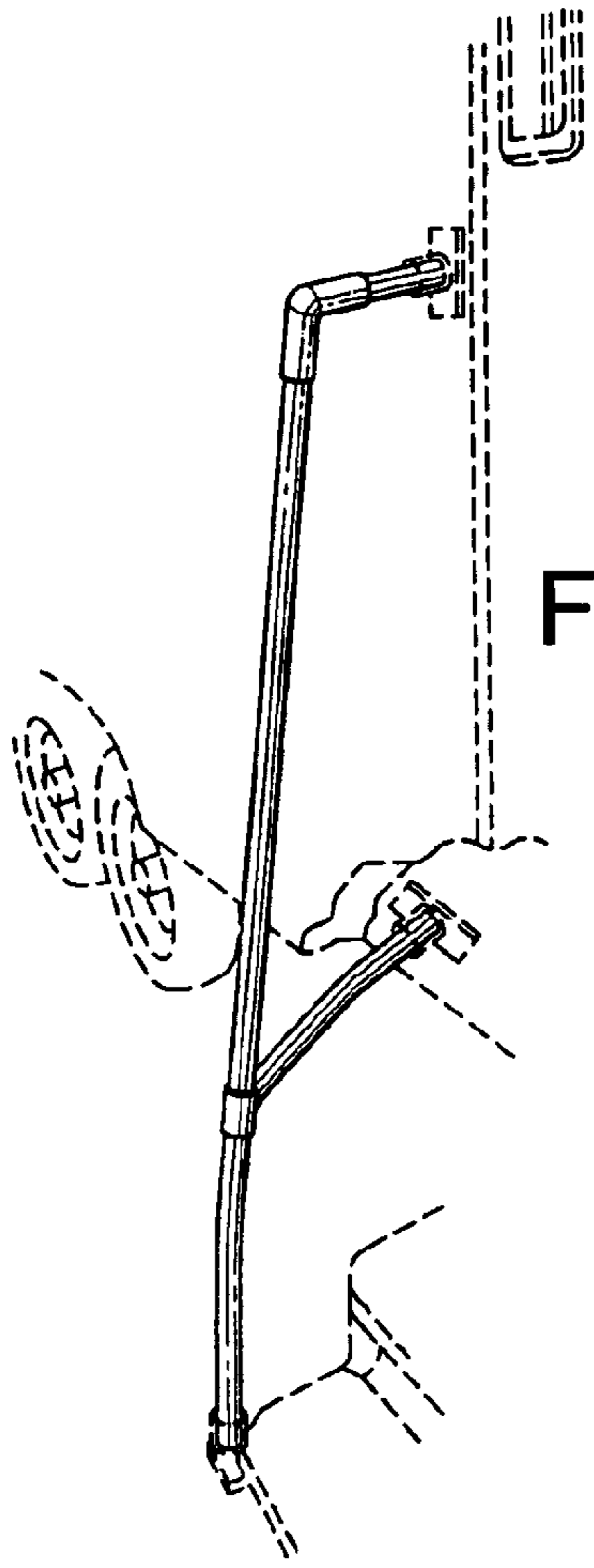


FIG. 1

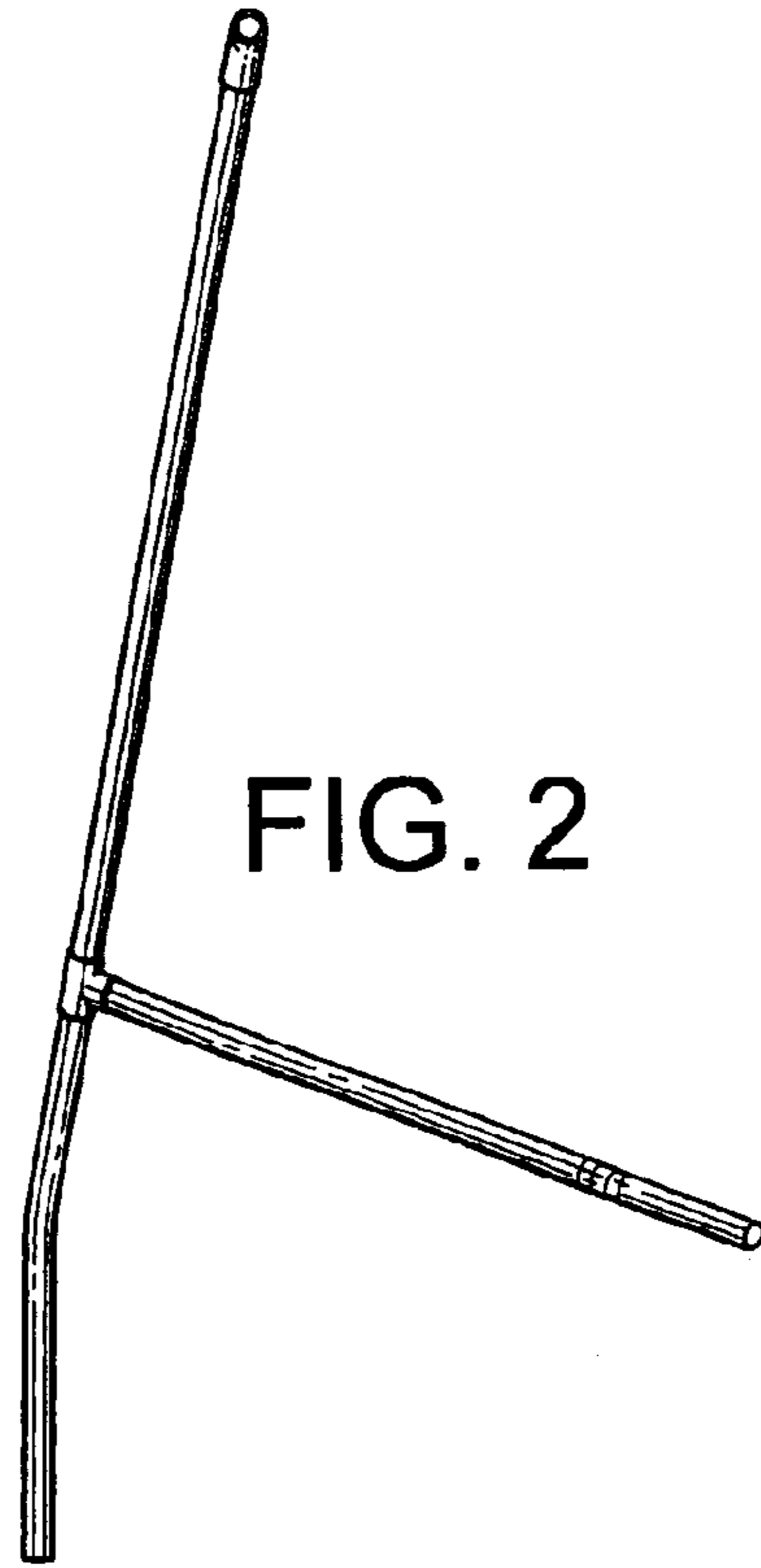


FIG. 2

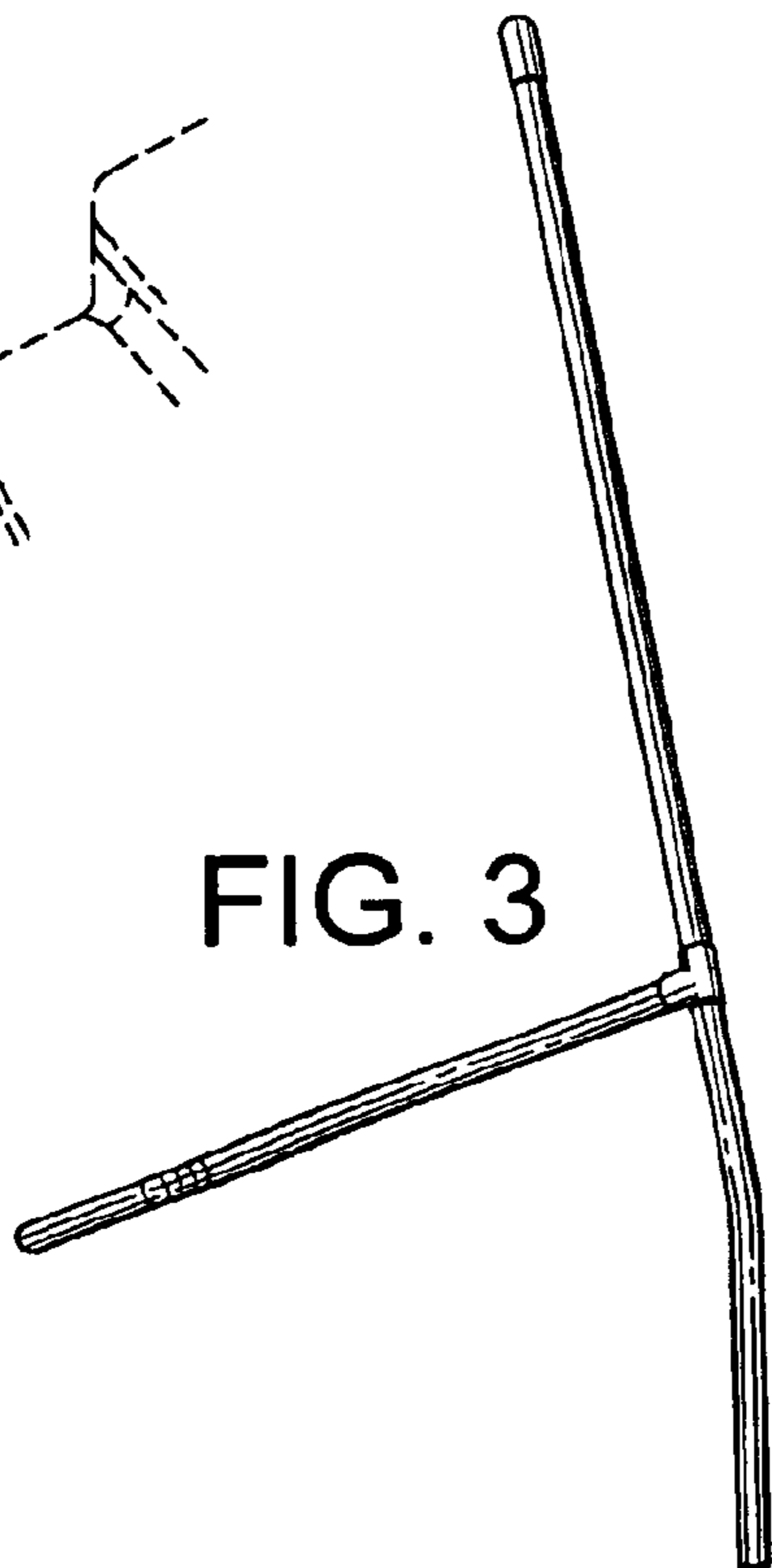


FIG. 3

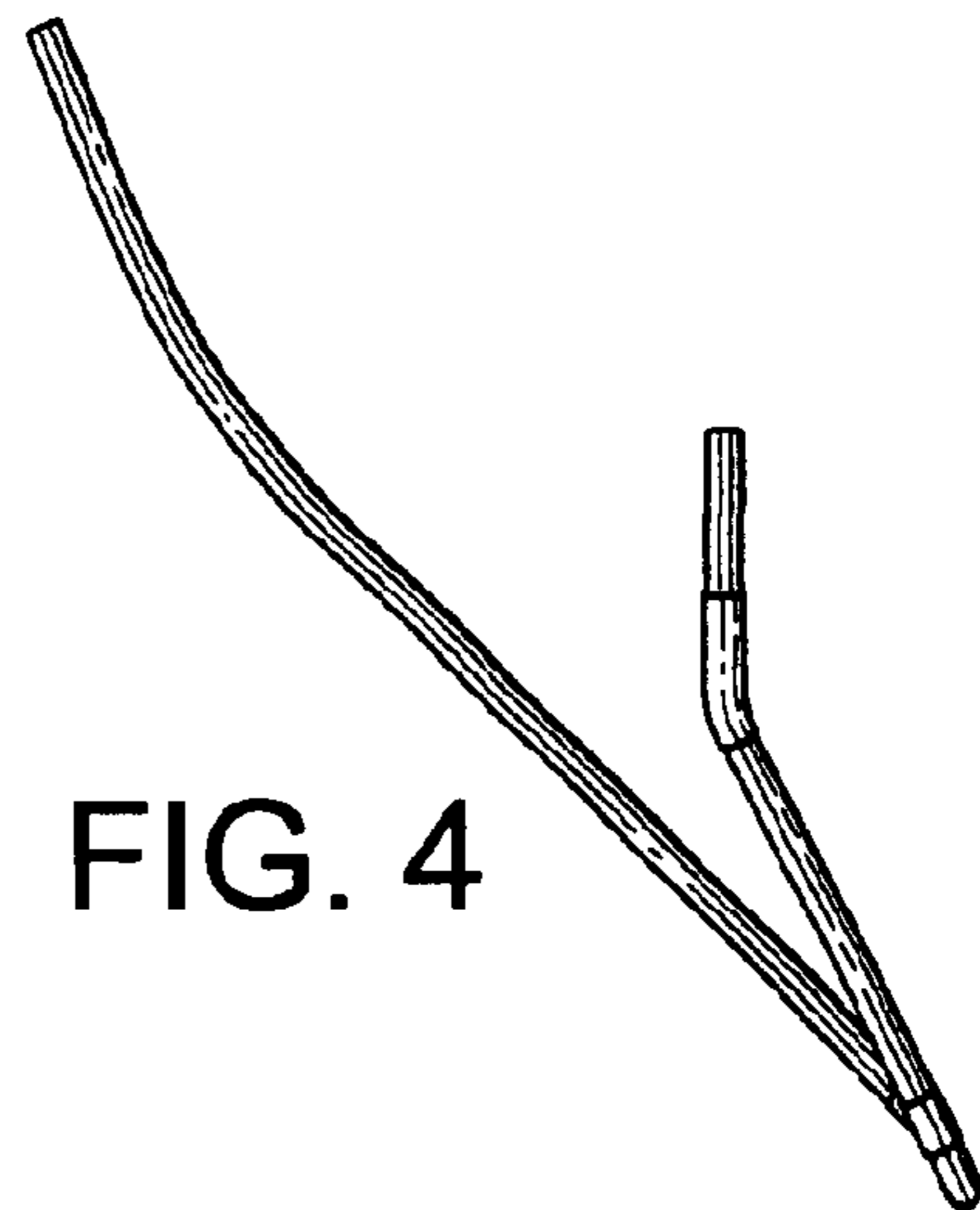


FIG. 4

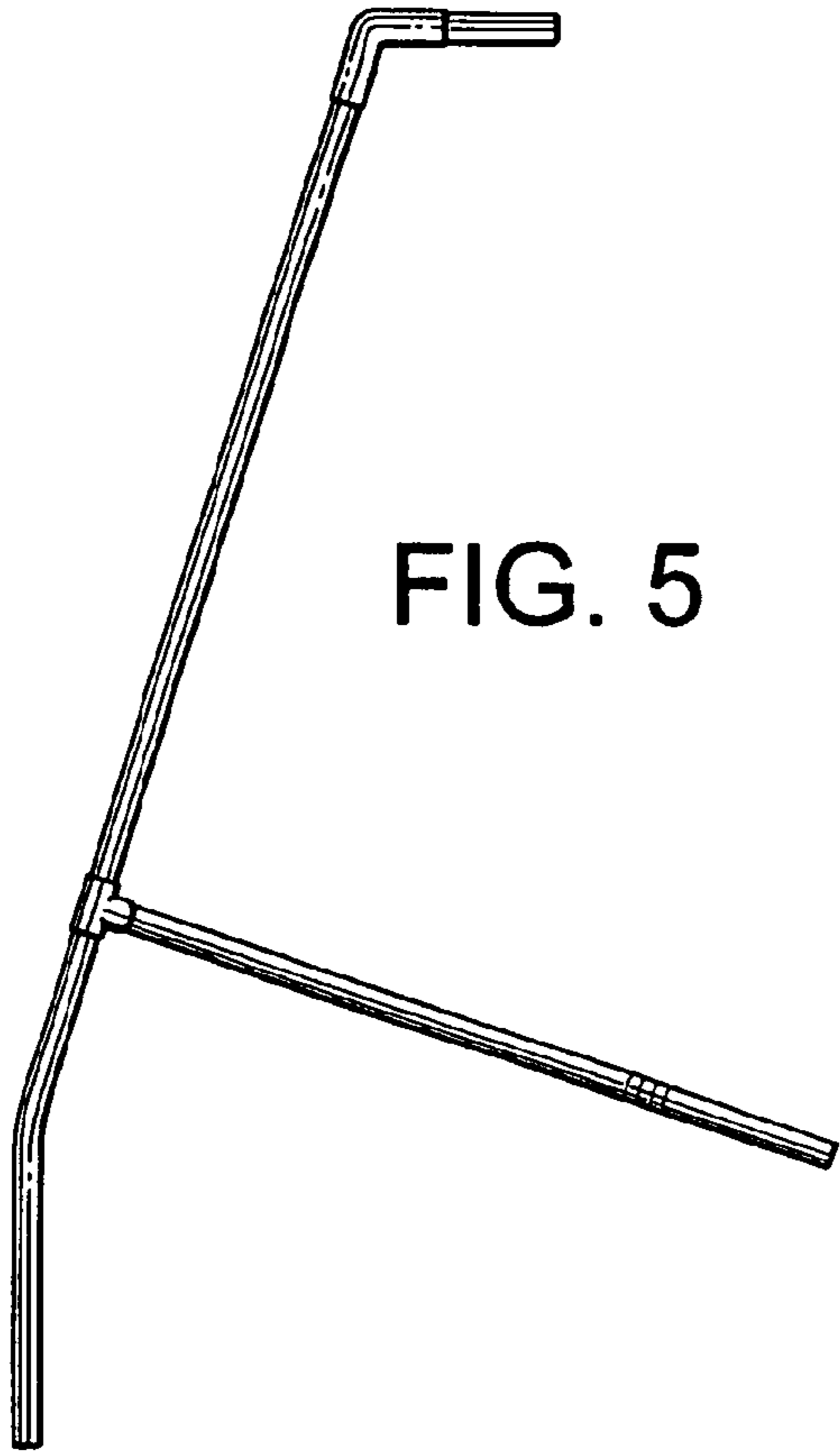


FIG. 5

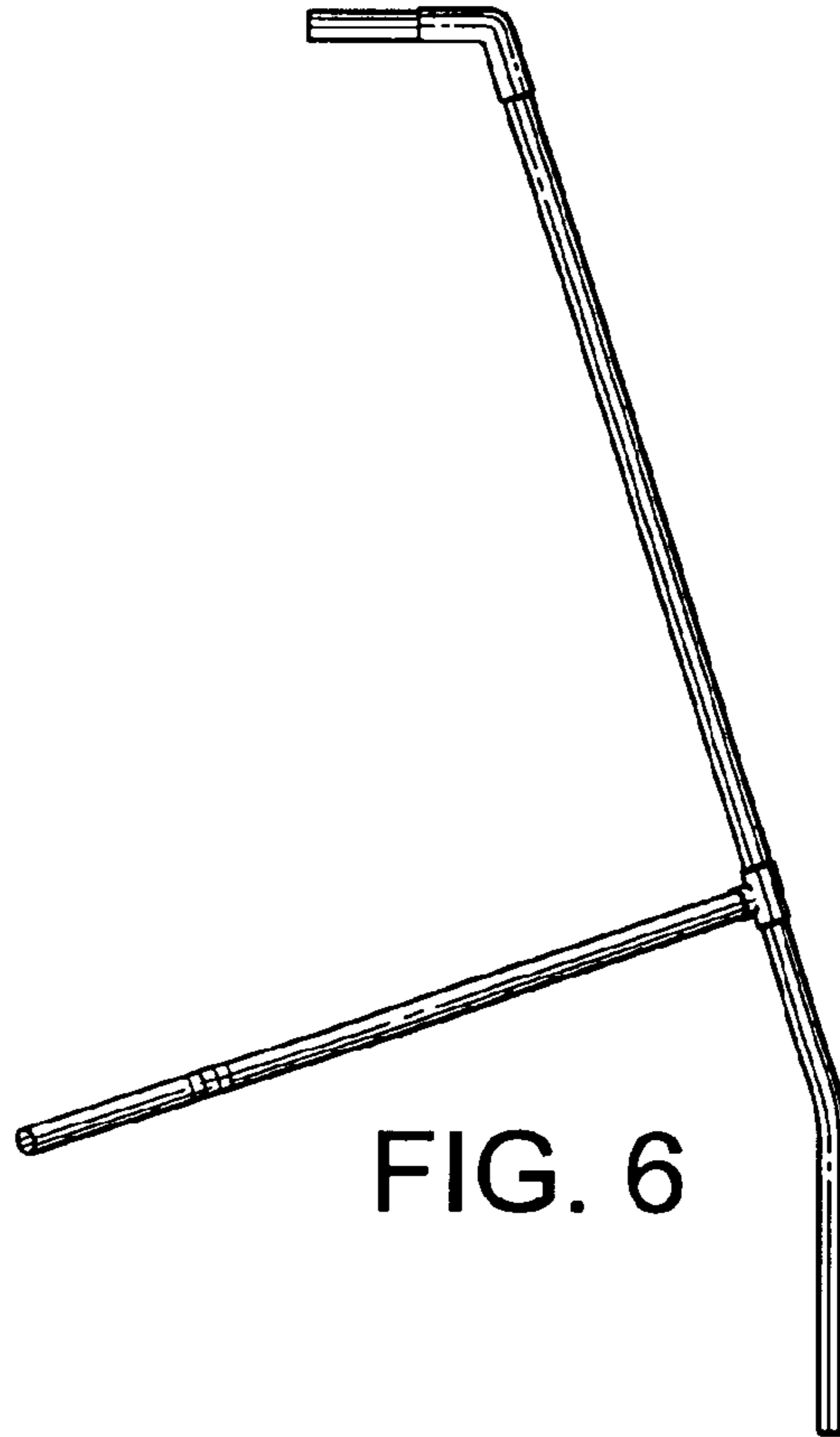


FIG. 6

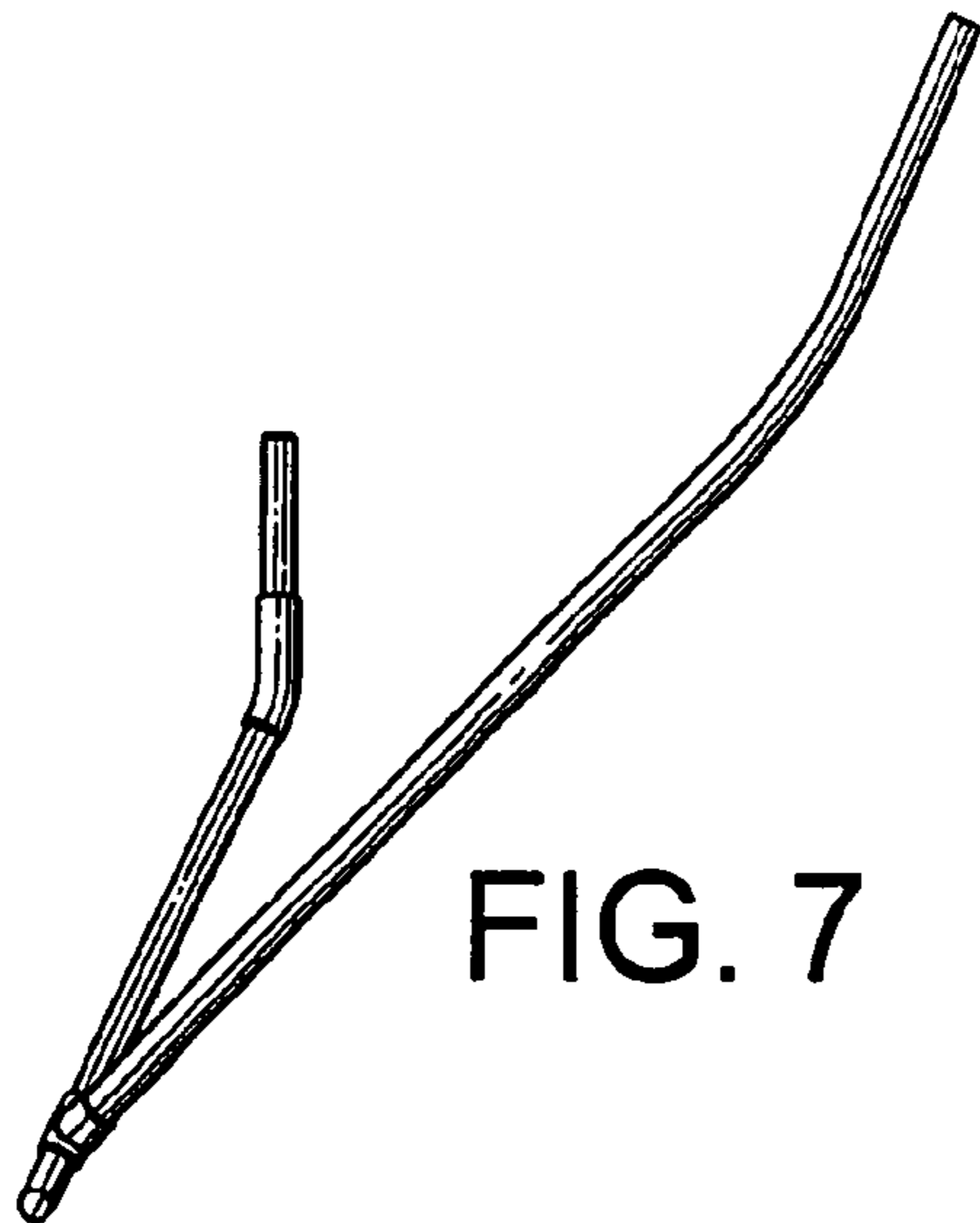


FIG. 7