

US00D509904S

(12) **United States Design Patent**
Deschênes

(10) **Patent No.:** **US D509,904 S**

(45) **Date of Patent:** **** Sep. 20, 2005**

(54) **FENCING PANEL**

D465,286 S * 11/2002 Gregori D25/38

(75) **Inventor:** **Guido Deschênes, Ville Dégelis (CA)**

* cited by examiner

(73) **Assignee:** **GDS Valoribois, Inc., Ville Degelis (CA)**

Primary Examiner—Doris Clark

(74) *Attorney, Agent, or Firm*—Baker & Hostetler LLP

(**) **Term:** **14 Years**

(57) **CLAIM**

The ornamental design for fencing panel, as shown and described.

(21) **Appl. No.:** **29/197,815**

(22) **Filed:** **Jan. 22, 2004**

DESCRIPTION

(51) **LOC (8) Cl.** **25-02**

FIG. 1 is a perspective view of the fencing panel;

(52) **U.S. Cl.** **D25/38**

FIG. 2 is a right side view thereof, the left side being the mirror image thereof;

(58) **Field of Search** D25/138, 38, 50,
D25/58; 256/24, 25, 73

FIG. 3 is a front view thereof, the rear view being the mirror image thereof;

FIG. 4 is a top view thereof;

FIG. 5 is a bottom view thereof; and,

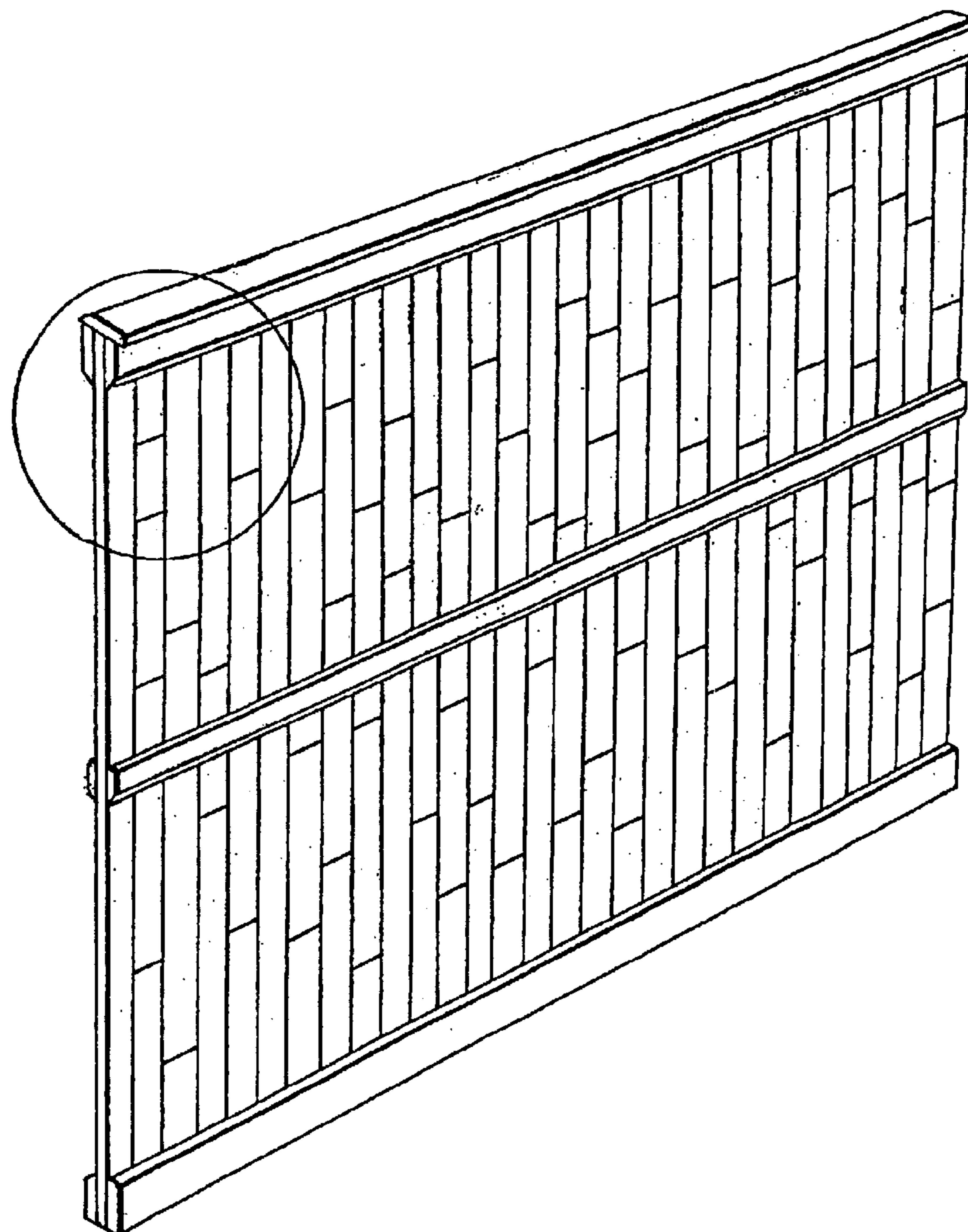
FIG. 6 is an enlarged view of the upper left corner in FIG. 1.

(56) **References Cited**

U.S. PATENT DOCUMENTS

- 5,100,107 A * 3/1992 Latta 256/19
- 5,628,495 A * 5/1997 Gandara 256/24
- D427,322 S * 6/2000 DeSouza D25/38

1 Claim, 4 Drawing Sheets



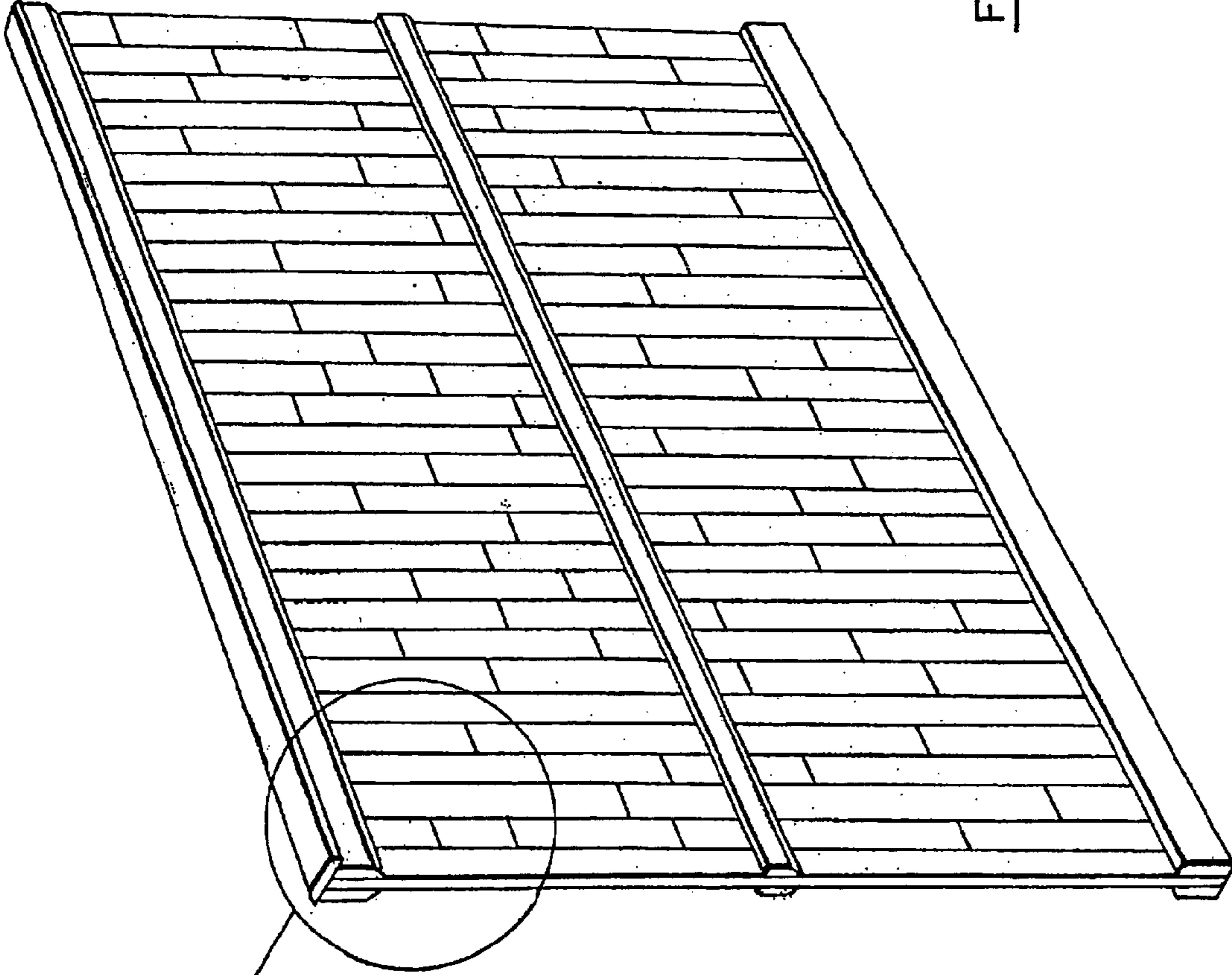
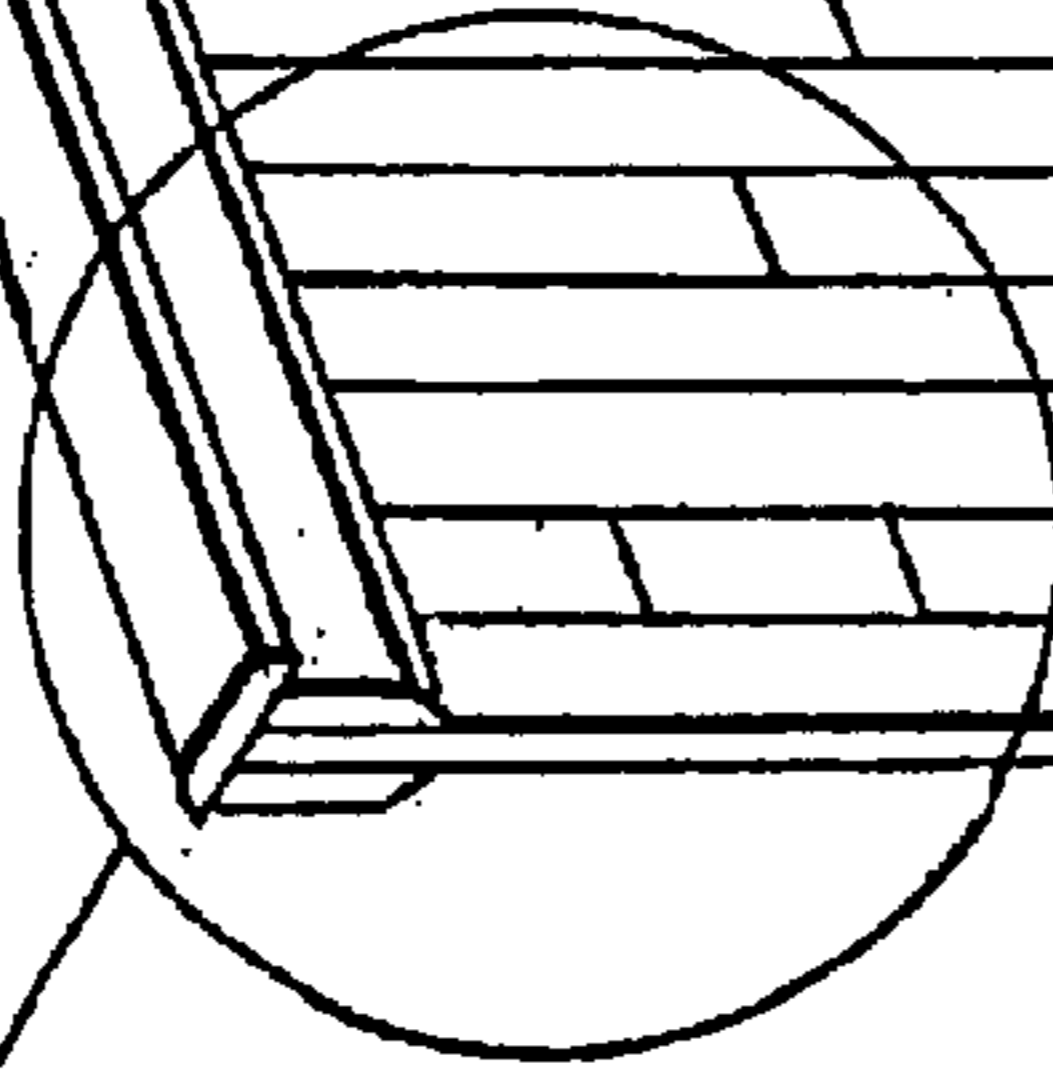


FIG. 1

FIG. 6



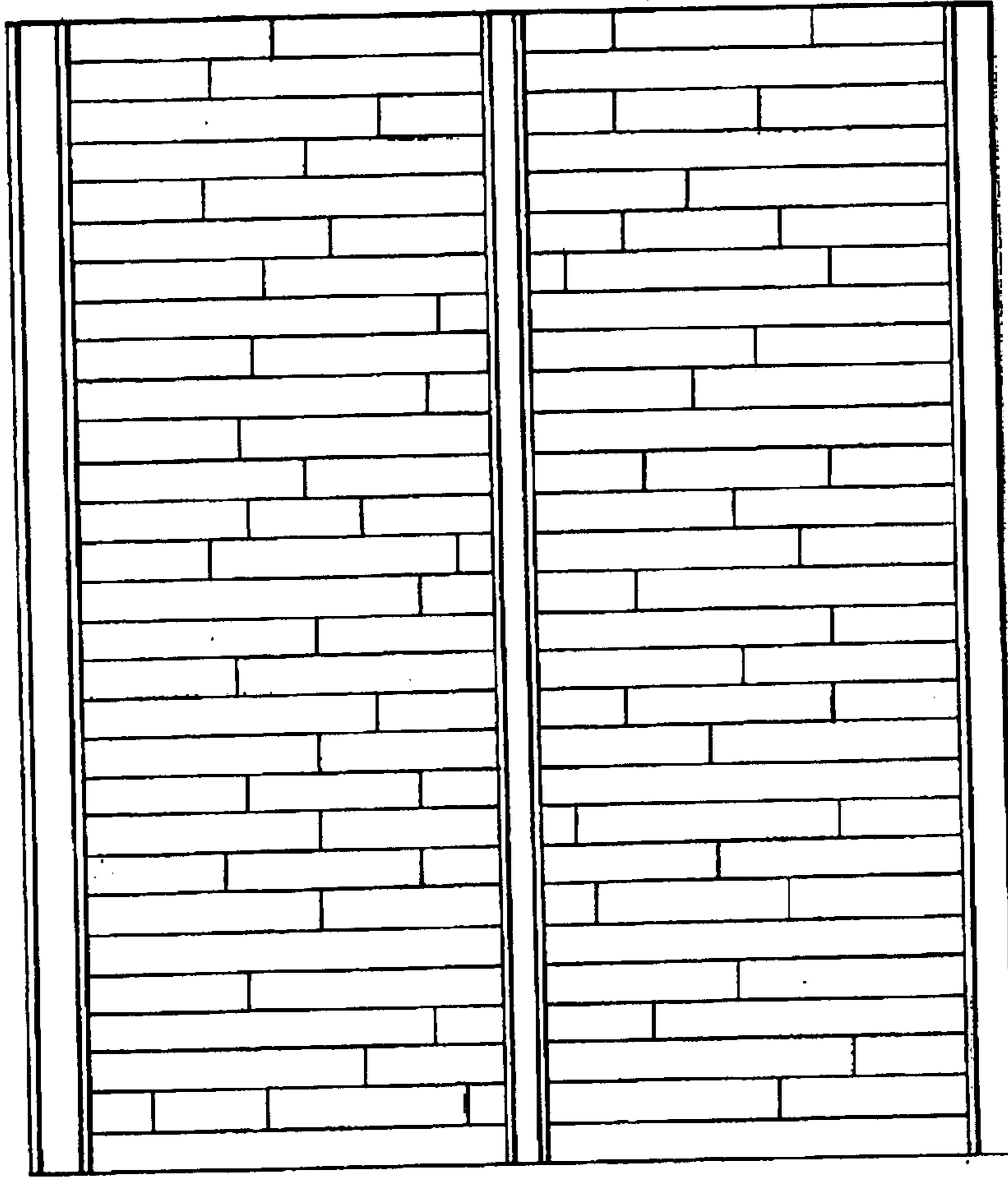


FIG. 2



FIG. 3

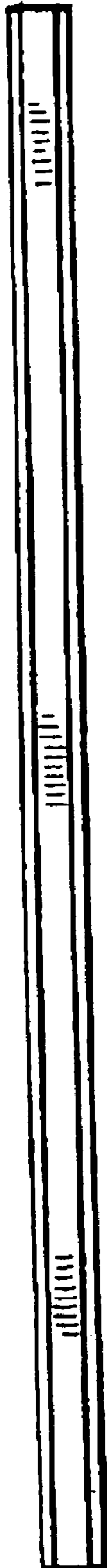


FIG. 4



FIG. 5

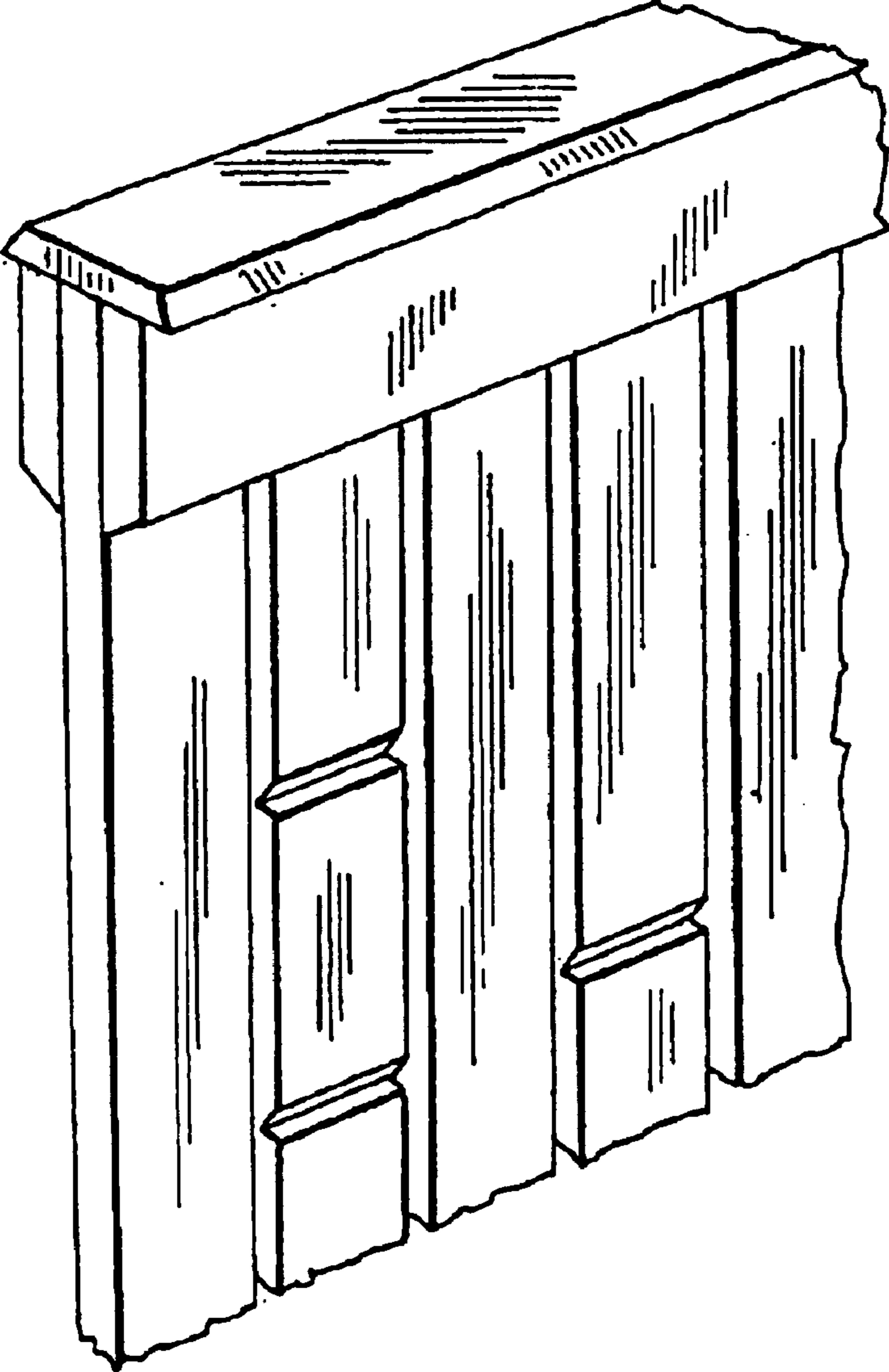


FIG. 6